



US00D614305S

(12) **United States Design Patent**
Al-Ali et al.

(10) **Patent No.:** **US D614,305 S**
(45) **Date of Patent:** **** Apr. 20, 2010**

(54) **CONNECTOR ASSEMBLY**

(75) Inventors: **Ammar Al-Ali**, Tustin, CA (US); **Kevin Forrest**, Rancho Santa Margarita, CA (US); **Yassir Abdul-Hafiz**, Irvine, CA (US); **Eric Yang**, Baldwin Park, CA (US)

5,452,717 A 9/1995 Branigan et al.
D363,120 S 10/1995 Savage et al.
5,456,252 A 10/1995 Vari et al.
D364,680 S * 11/1995 Dye D24/129
5,482,036 A 1/1996 Diab et al.
5,490,505 A 2/1996 Diab et al.
5,494,043 A 2/1996 O'Sullivan et al.

(73) Assignee: **Masimo Corporation**, Irvine, CA (US)

(Continued)

(**) Term: **14 Years**

FOREIGN PATENT DOCUMENTS

(21) Appl. No.: **29/304,439**

WO WO 9748151 12/1997

(22) Filed: **Feb. 29, 2008**

OTHER PUBLICATIONS

(51) **LOC (9) Cl.** **24-01**

U.S. Appl. No. 29/296,067.

(52) **U.S. Cl.** **D24/187**

(Continued)

(58) **Field of Classification Search** D24/107,
D24/112, 129, 138, 158, 164, 165, 167, 170,
D24/186-187, 231; D13/149, 184, 218,
D13/156; D3/201, 273, 269, 291, 318; D14/240,
D14/253, 344, 434, 447, 439; 600/134, 142,
600/160, 174, 453, 461-462; 379/25, 156,
379/900, 338-339, 441, 93.09, 93.19

Primary Examiner—T. Chase Nelson
Assistant Examiner—Mark Cavanna
(74) *Attorney, Agent, or Firm*—Knobbe Martens Olson & Bear, LLP

See application file for complete search history.

(57) **CLAIM**

The ornamental design for a connector assembly, as shown and described.

(56) **References Cited**

DESCRIPTION

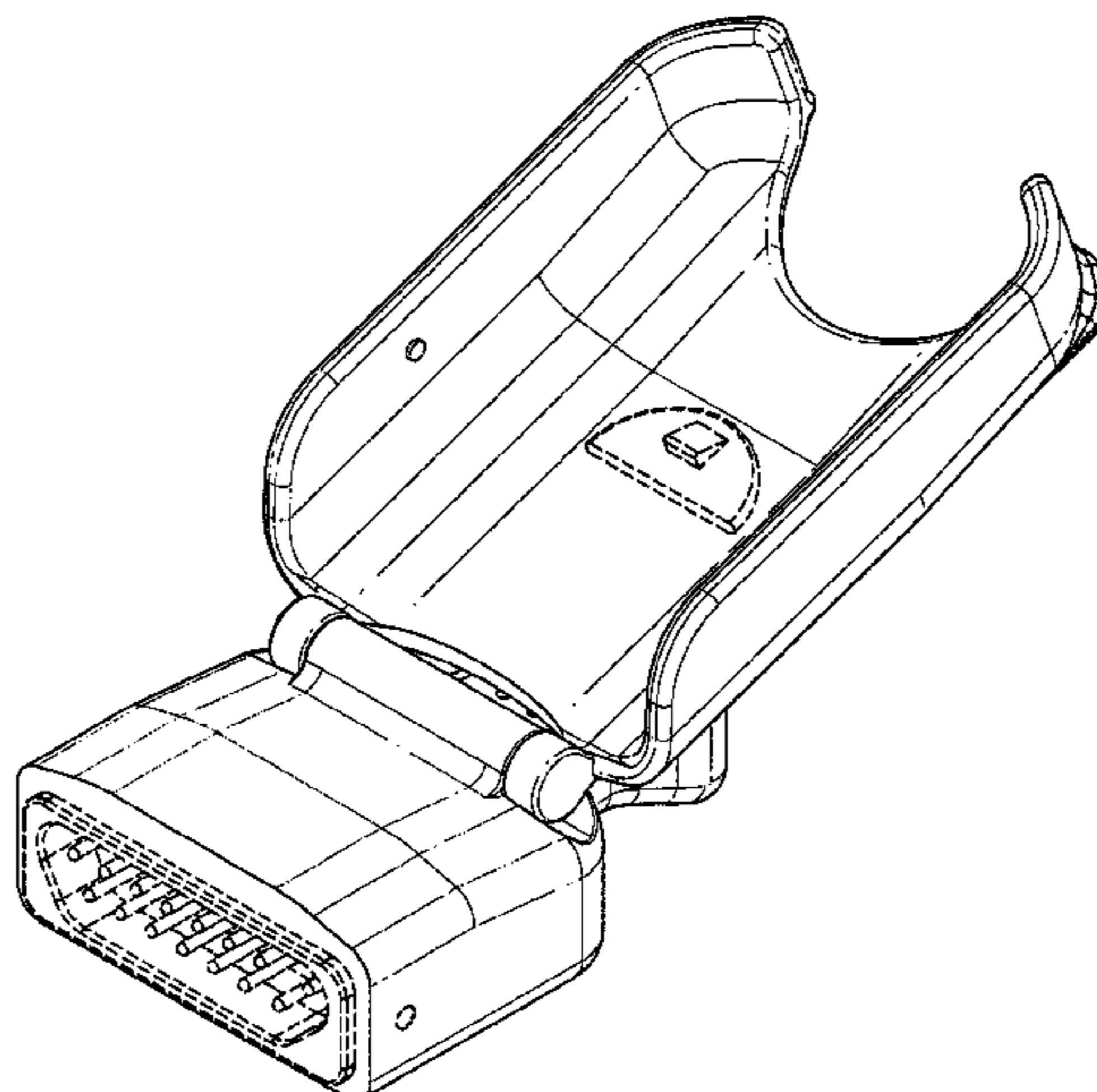
U.S. PATENT DOCUMENTS

4,960,128 A 10/1990 Gordon et al.
4,964,408 A 10/1990 Hink et al.
5,041,187 A 8/1991 Hink et al.
5,069,213 A 12/1991 Polczynski
5,163,438 A 11/1992 Gordon et al.
5,237,994 A 8/1993 Goldberger
D346,275 S * 4/1994 Hayasaka et al. D3/218
5,337,744 A 8/1994 Branigan
5,341,805 A 8/1994 Stavridi et al.
D353,195 S 12/1994 Savage et al.
D353,196 S 12/1994 Savage et al.
5,377,676 A 1/1995 Vari et al.
D359,546 S 6/1995 Savage et al.
5,431,170 A 7/1995 Mathews
D361,840 S 8/1995 Savage et al.
D362,063 S 9/1995 Savage et al.

FIG. 1 is a perspective view of the connector assembly;
FIG. 2 is a bottom perspective view thereof;
FIG. 3 is a top plan view thereof;
FIG. 4 is a bottom plan view thereof;
FIG. 5 is a right side elevational view thereof, the left side elevational view being a mirror image thereof;
FIG. 6 a front elevational view thereof; and,
FIG. 7 is a back elevational view thereof.

Where utilized, phantom lining is for illustrative purposes only and is not intended to limit or form any part of the claimed design.

1 Claim, 5 Drawing Sheets



US D614,305 S

U.S. PATENT DOCUMENTS					
			6,397,091	B2	5/2002 Diab et al.
			6,430,525	B1	8/2002 Weber et al.
			6,463,311	B1	10/2002 Diab
			6,470,199	B1	10/2002 Kopotic et al.
			6,501,975	B2	12/2002 Diab et al.
			6,505,059	B1	1/2003 Kollias et al.
			6,515,273	B2	2/2003 Al-Ali
			6,519,487	B1	2/2003 Parker
			6,525,386	B1	2/2003 Mills et al.
			6,526,300	B1	2/2003 Kiani et al.
			6,541,756	B2	4/2003 Schulz et al.
			6,542,764	B1	4/2003 Al-Ali et al.
			6,580,086	B1	6/2003 Schulz et al.
			6,584,336	B1	6/2003 Ali et al.
			6,595,316	B2	7/2003 Cybulski et al.
			6,597,932	B2	7/2003 Tian et al.
			6,597,933	B2	7/2003 Kiani et al.
			6,606,511	B1	8/2003 Ali et al.
			D481,125	S *	10/2003 Hayamizu D24/138
			6,632,181	B2	10/2003 Flaherty et al.
			6,639,668	B1	10/2003 Trepagnier
			6,640,116	B2	10/2003 Diab
			6,643,530	B2	11/2003 Diab et al.
			6,650,917	B2	11/2003 Diab et al.
			6,654,624	B2	11/2003 Diab et al.
			6,658,276	B2	12/2003 Diab et al.
			6,661,161	B1	12/2003 Lanzo et al.
			6,671,531	B2	12/2003 Al-Ali et al.
			6,678,543	B2	1/2004 Diab et al.
			6,684,090	B2	1/2004 Ali et al.
			6,684,091	B2	1/2004 Parker
			6,697,656	B1	2/2004 Al-Ali
			6,697,657	B1	2/2004 Shehada et al.
			6,697,658	B2	2/2004 Al-Ali
			RE38,476	E	3/2004 Diab et al.
			6,699,194	B1	3/2004 Diab et al.
			6,714,804	B2	3/2004 Al-Ali et al.
			RE38,492	E	4/2004 Diab et al.
			6,721,582	B2	4/2004 Trepagnier et al.
			6,721,585	B1	4/2004 Parker
			6,725,075	B2	4/2004 Al-Ali
			6,728,560	B2	4/2004 Kollias et al.
			6,735,459	B2	5/2004 Parker
			D490,898	S *	6/2004 Hayamizu D24/138
			6,745,060	B2	6/2004 Diab et al.
			6,760,607	B2	7/2004 Al-Ali
			6,770,028	B1	8/2004 Ali et al.
			6,771,994	B2	8/2004 Kiani et al.
			6,792,300	B1	9/2004 Diab et al.
			6,813,511	B2	11/2004 Diab et al.
			6,816,741	B2	11/2004 Diab
			6,822,564	B2	11/2004 Al-Ali
			6,826,419	B2	11/2004 Diab et al.
			6,830,711	B2	12/2004 Mills et al.
			6,850,787	B2	2/2005 Weber et al.
			6,850,788	B2	2/2005 Al-Ali
			6,852,083	B2	2/2005 Caro et al.
			6,861,639	B2	3/2005 Al-Ali
			6,898,452	B2	5/2005 Al-Ali et al.
			6,920,345	B2	7/2005 Al-Ali et al.
			6,931,268	B1	8/2005 Kiani-Azarbayjany et al.
			6,934,570	B2	8/2005 Kiani et al.
			D509,803	S	9/2005 Titchener
			6,939,305	B2	9/2005 Flaherty et al.
			6,943,348	B1	9/2005 Coffin, IV
			6,950,687	B2	9/2005 Al-Ali
			6,961,598	B2	11/2005 Diab
			6,970,792	B1	11/2005 Diab
			6,979,812	B2	12/2005 Al-Ali
			D513,409	S	1/2006 Suckle
			6,985,764	B2	1/2006 Mason et al.
			6,993,371	B2	1/2006 Kiani et al.
			6,996,427	B2	2/2006 Ali et al.
5,533,511	A	7/1996 Kaspari et al.			
5,561,275	A	10/1996 Savage et al.			
5,562,002	A	10/1996 Lalin			
D377,219	S *	1/1997 Strand et al. D24/187			
5,590,649	A	1/1997 Caro et al.			
5,602,924	A	2/1997 Durand et al.			
5,632,272	A	5/1997 Diab et al.			
5,638,816	A	6/1997 Kiani-Azarbayjany et al.			
5,638,818	A	6/1997 Diab et al.			
5,645,440	A	7/1997 Tobler et al.			
5,685,299	A	11/1997 Diab et al.			
D393,830	S	4/1998 Tobler et al.			
5,743,262	A	4/1998 Lepper, Jr. et al.			
5,758,644	A	6/1998 Diab et al.			
5,760,910	A	6/1998 Lepper, Jr. et al.			
5,769,785	A	6/1998 Diab et al.			
5,782,757	A	7/1998 Diab et al.			
5,785,659	A	7/1998 Caro et al.			
5,791,347	A	8/1998 Flaherty et al.			
5,810,734	A	9/1998 Caro et al.			
5,823,950	A	10/1998 Diab et al.			
5,830,131	A	11/1998 Caro et al.			
5,833,618	A	11/1998 Caro et al.			
5,860,919	A	1/1999 Kiani-Azarbayjany et al.			
5,890,929	A	4/1999 Mills et al.			
5,904,654	A	5/1999 Wohltmann et al.			
5,919,134	A	7/1999 Diab			
5,934,925	A	8/1999 Tobler et al.			
5,940,182	A	8/1999 Lepper, Jr. et al.			
5,995,855	A	11/1999 Kiani et al.			
5,997,343	A	12/1999 Mills et al.			
6,002,952	A	12/1999 Diab et al.			
6,011,986	A	1/2000 Diab et al.			
6,027,452	A	2/2000 Flaherty et al.			
6,036,642	A	3/2000 Diab et al.			
D422,560	S	4/2000 Lok			
6,045,509	A	4/2000 Caro et al.			
D424,035	S *	5/2000 Steiner et al. D14/439			
6,067,462	A	5/2000 Diab et al.			
6,081,735	A	6/2000 Diab et al.			
6,088,607	A	7/2000 Diab et al.			
6,110,522	A	8/2000 Lepper, Jr. et al.			
6,124,597	A	9/2000 Shehada			
6,144,868	A	11/2000 Parker			
6,151,516	A	11/2000 Kiani-Azarbayjany et al.			
6,152,754	A	11/2000 Gerhardt et al.			
D434,898	S *	12/2000 Jokinen et al. D3/218			
6,157,850	A	12/2000 Diab et al.			
6,165,005	A	12/2000 Mills et al.			
6,184,521	B1	2/2001 Coffin, IV et al.			
6,206,830	B1	3/2001 Diab et al.			
6,229,856	B1	5/2001 Diab et al.			
6,232,609	B1	5/2001 Snyder et al.			
6,236,872	B1	5/2001 Diab et al.			
6,241,683	B1	6/2001 Macklem et al.			
6,256,523	B1	7/2001 Diab et al.			
6,257,914	B1	7/2001 Comerci et al.			
6,263,222	B1	7/2001 Diab et al.			
6,278,522	B1	8/2001 Lepper, Jr. et al.			
6,280,213	B1	8/2001 Tobler et al.			
6,285,896	B1	9/2001 Tobler et al.			
6,321,100	B1	11/2001 Parker			
6,334,065	B1	12/2001 Al-Ali et al.			
6,343,224	B1	1/2002 Parker			
6,349,228	B1	2/2002 Kiani et al.			
D454,340	S *	3/2002 Grimm D14/240			
6,360,114	B1	3/2002 Diab et al.			
6,368,283	B1	4/2002 Xu et al.			
6,371,921	B1	4/2002 Caro et al.			
6,377,829	B1	4/2002 Al-Ali			
6,388,240	B2	5/2002 Schulz et al.			

US D614,305 S

Page 3

6,999,904 B2	2/2006	Weber et al.	7,254,431 B2	8/2007	Al-Ali
7,003,338 B2	2/2006	Weber et al.	7,254,433 B2	8/2007	Diab et al.
7,003,339 B2	2/2006	Diab et al.	7,254,434 B2	8/2007	Schulz et al.
7,015,451 B2	3/2006	Dalke et al.	7,272,425 B2	9/2007	Al-Ali
D519,465 S	4/2006	Sirichai et al.	7,274,955 B2	9/2007	Kiani et al.
7,024,233 B2	4/2006	Ali et al.	D554,263 S	10/2007	Al-Ali
7,027,849 B2	4/2006	Al-Ali	7,280,858 B2	10/2007	Al-Ali et al.
7,030,749 B2	4/2006	Al-Ali	7,289,835 B2	10/2007	Mansfield et al.
D520,459 S	5/2006	Kent et al.	7,292,883 B2	11/2007	De Felice et al.
7,039,449 B2	5/2006	Al-Ali	7,295,866 B2	11/2007	Al-Ali
7,041,060 B2	5/2006	Flaherty et al.	7,328,053 B1	2/2008	Diab et al.
7,044,918 B2	5/2006	Diab	D564,659 S *	3/2008	Hayashi D24/129
7,067,893 B2	6/2006	Mills et al.	D564,660 S *	3/2008	Hayashi D24/138
D524,759 S	7/2006	Wada et al.	D567,183 S	4/2008	Victor
7,096,052 B2	8/2006	Mason et al.	D585,556 S *	1/2009	Kosaku D24/186
7,096,054 B2	8/2006	Abdul-Hafiz et al.	D586,795 S *	2/2009	Richter D14/253
7,132,641 B2	11/2006	Schulz et al.	D587,657 S *	3/2009	Al-Ali et al. D13/156
7,142,901 B2	11/2006	Kiani et al.	D587,695 S *	3/2009	Leng et al. D14/240
D533,175 S *	12/2006	Richter D14/253	2006/0246780 A1	11/2006	Bert et al.
7,149,561 B2	12/2006	Diab	2007/0123065 A1	5/2007	Rosenfeldt et al.
7,186,966 B2	3/2007	Al-Ali	OTHER PUBLICATIONS		
7,190,261 B2	3/2007	Al-Ali	U.S. Appl. No. 29/296,064.		
7,215,984 B2	5/2007	Diab	U.S. Appl. No. 12/248,856.		
7,215,986 B2	5/2007	Diab	Copen ding U.S. Appl. No. 29/296,064, filed Oct. 12, 2007.		
7,221,971 B2	5/2007	Diab	Copen ding U.S. Appl. No. 29/296,067, filed Oct. 12, 2007.		
7,225,006 B2	5/2007	Al-Ali et al.	International Search Report and Written Opinion for Application No.		
7,225,007 B2	5/2007	Al-Ali	PCT/US2008/079429, mailed Feb. 12, 2009 in 13 pages.		
RE39,672 E	6/2007	Shehada et al.	* cited by examiner		
7,239,905 B2	7/2007	Kiani-Azarbayjany et al.			
7,245,953 B1	7/2007	Parker			

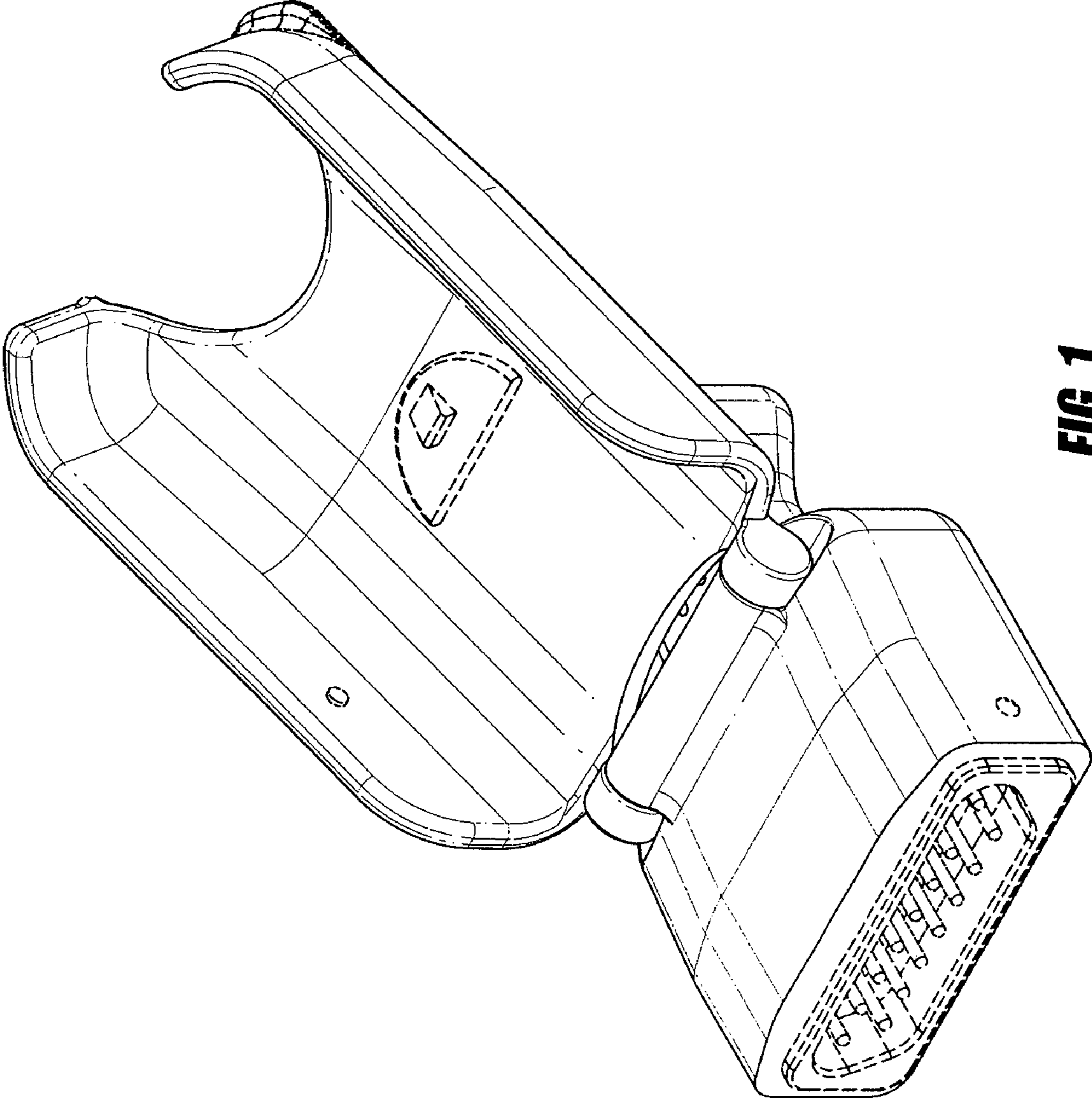


FIG. 1

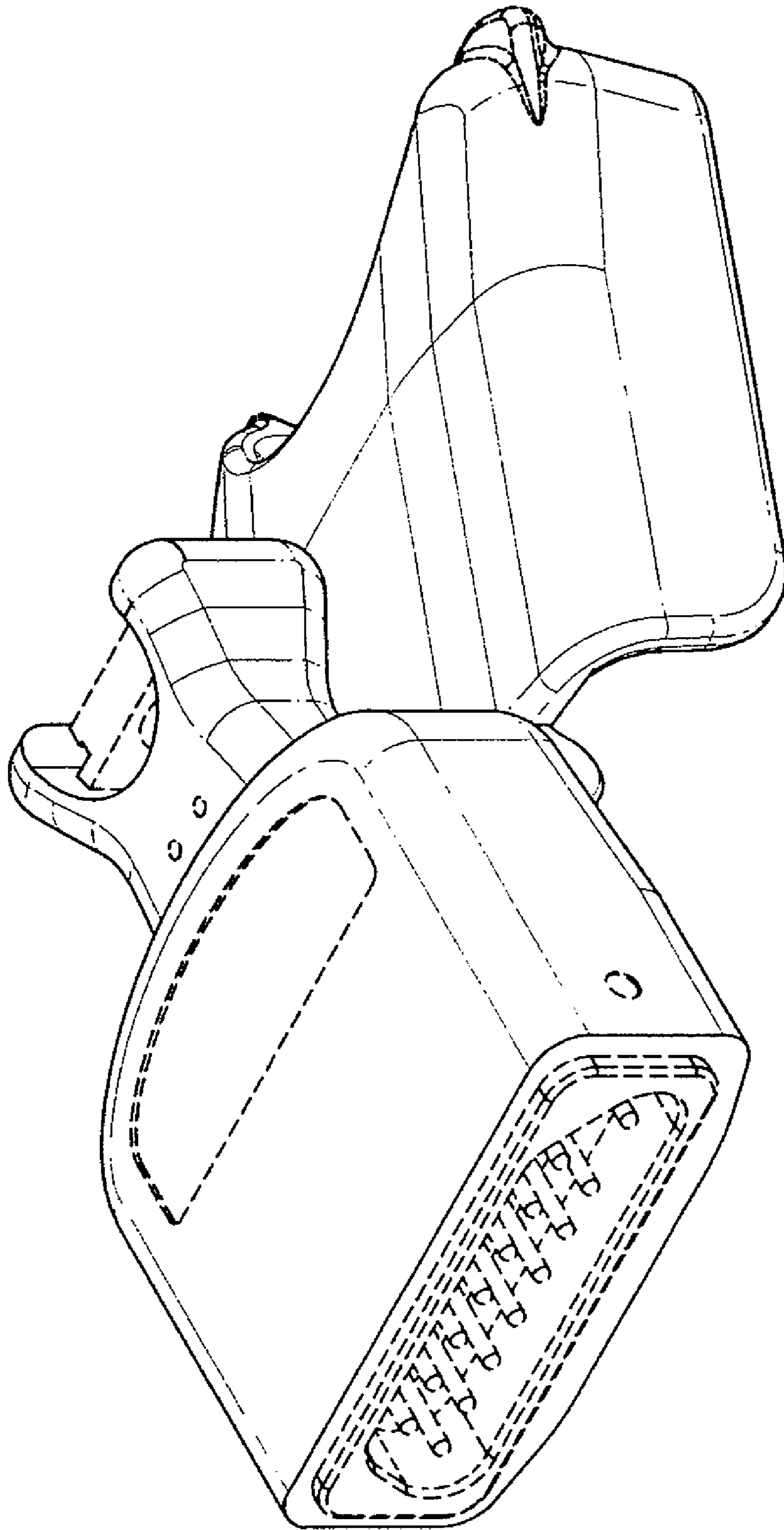


FIG. 2

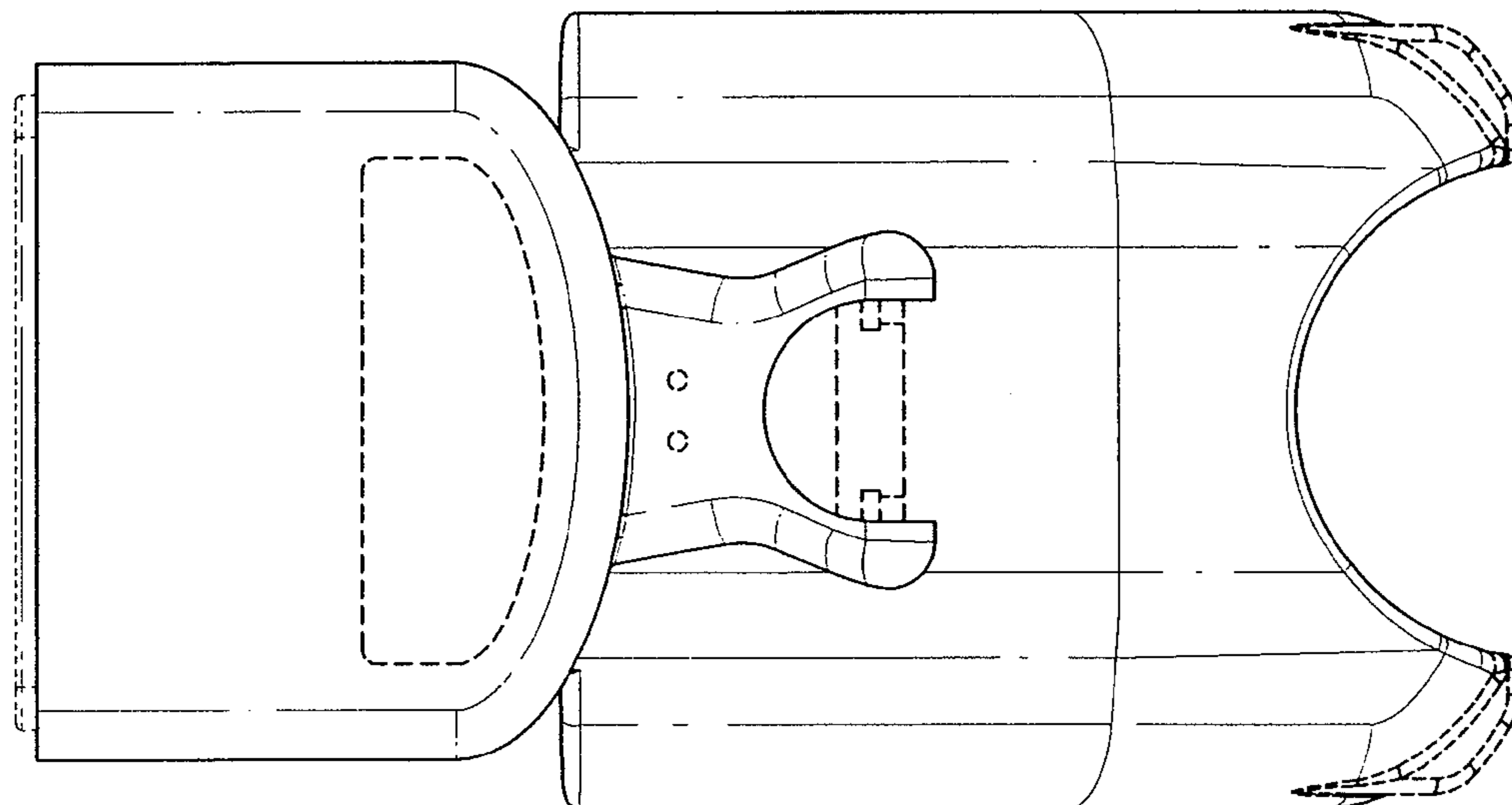


FIG. 4

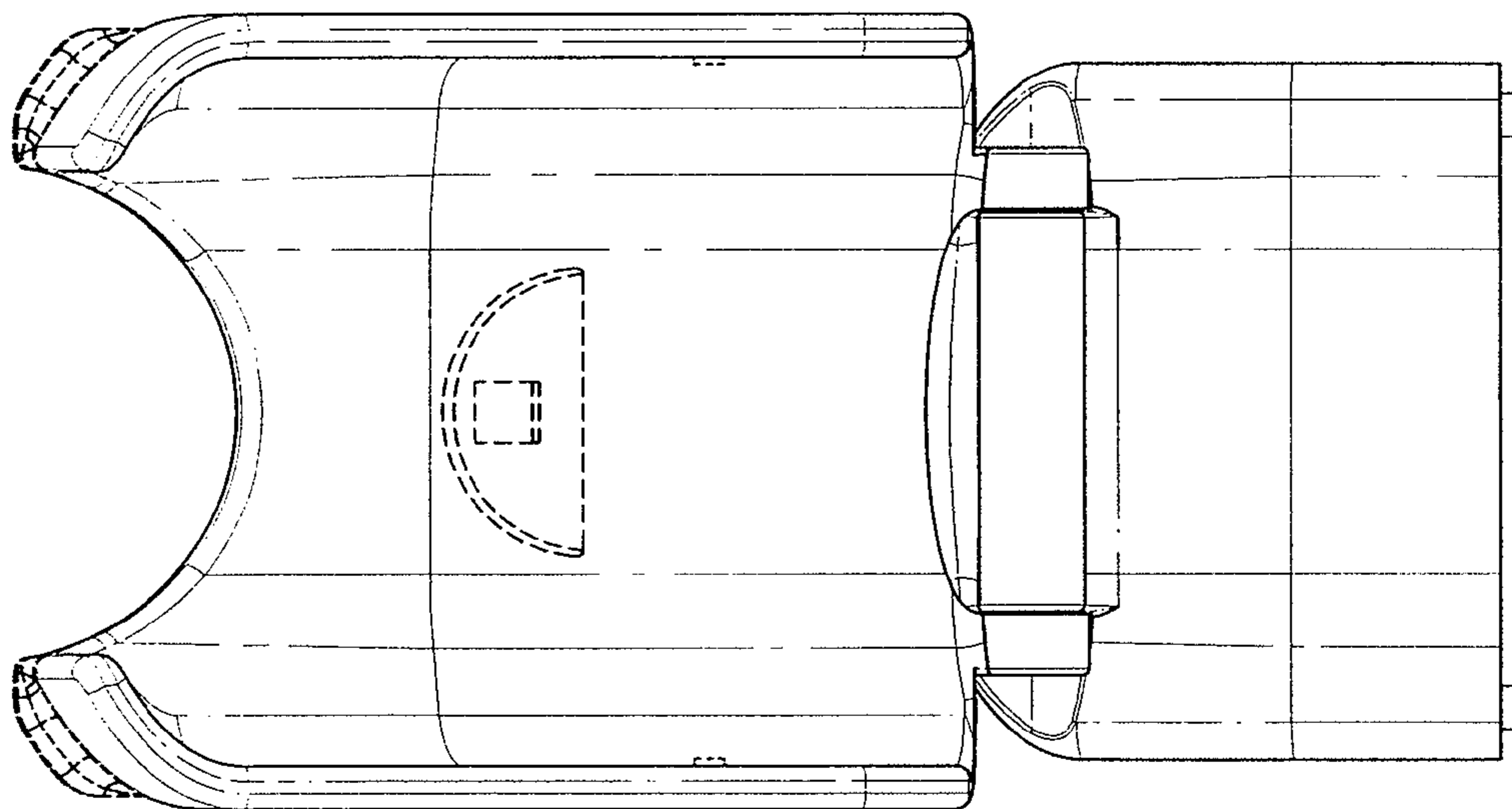


FIG. 3

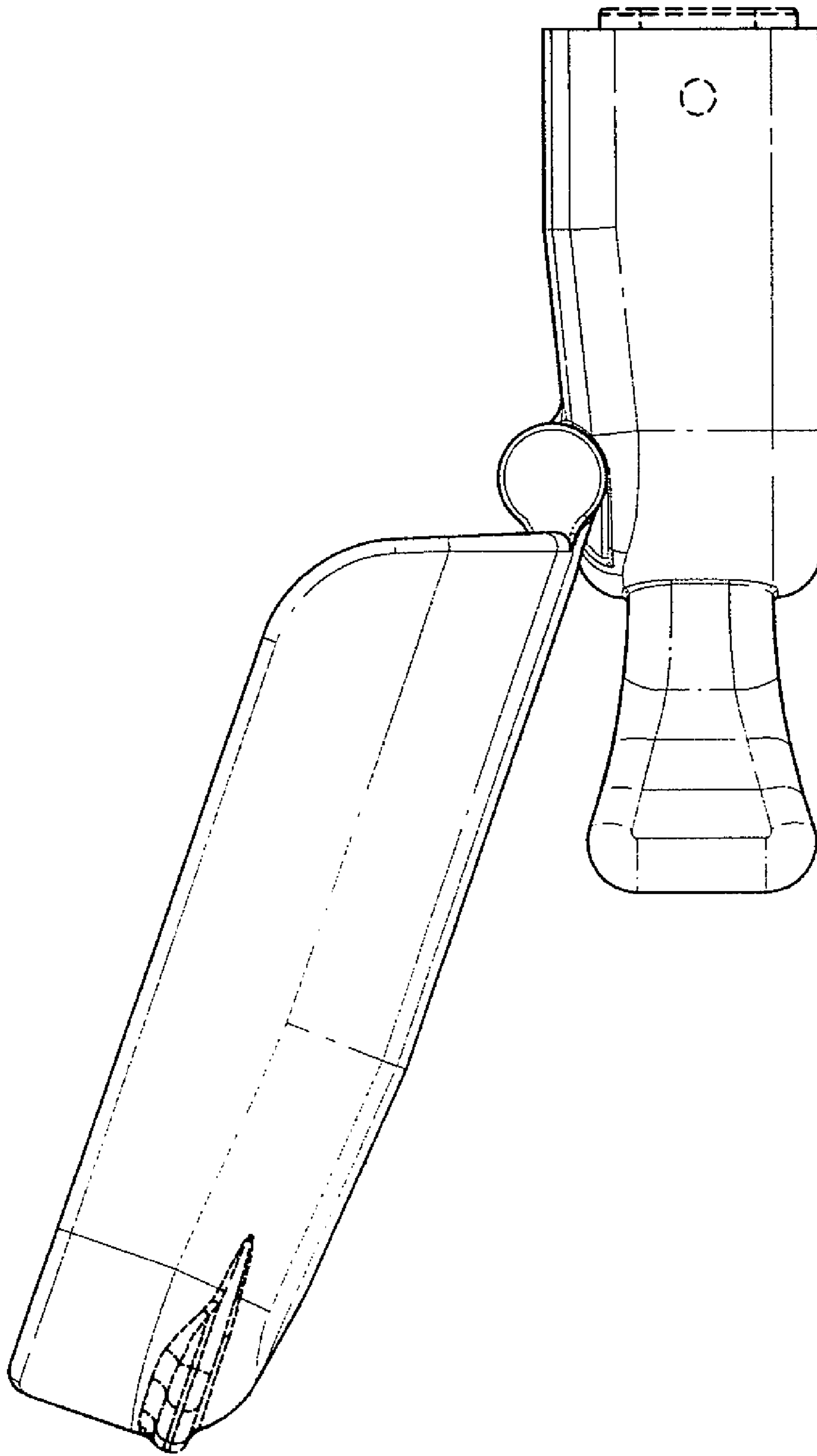


FIG. 5

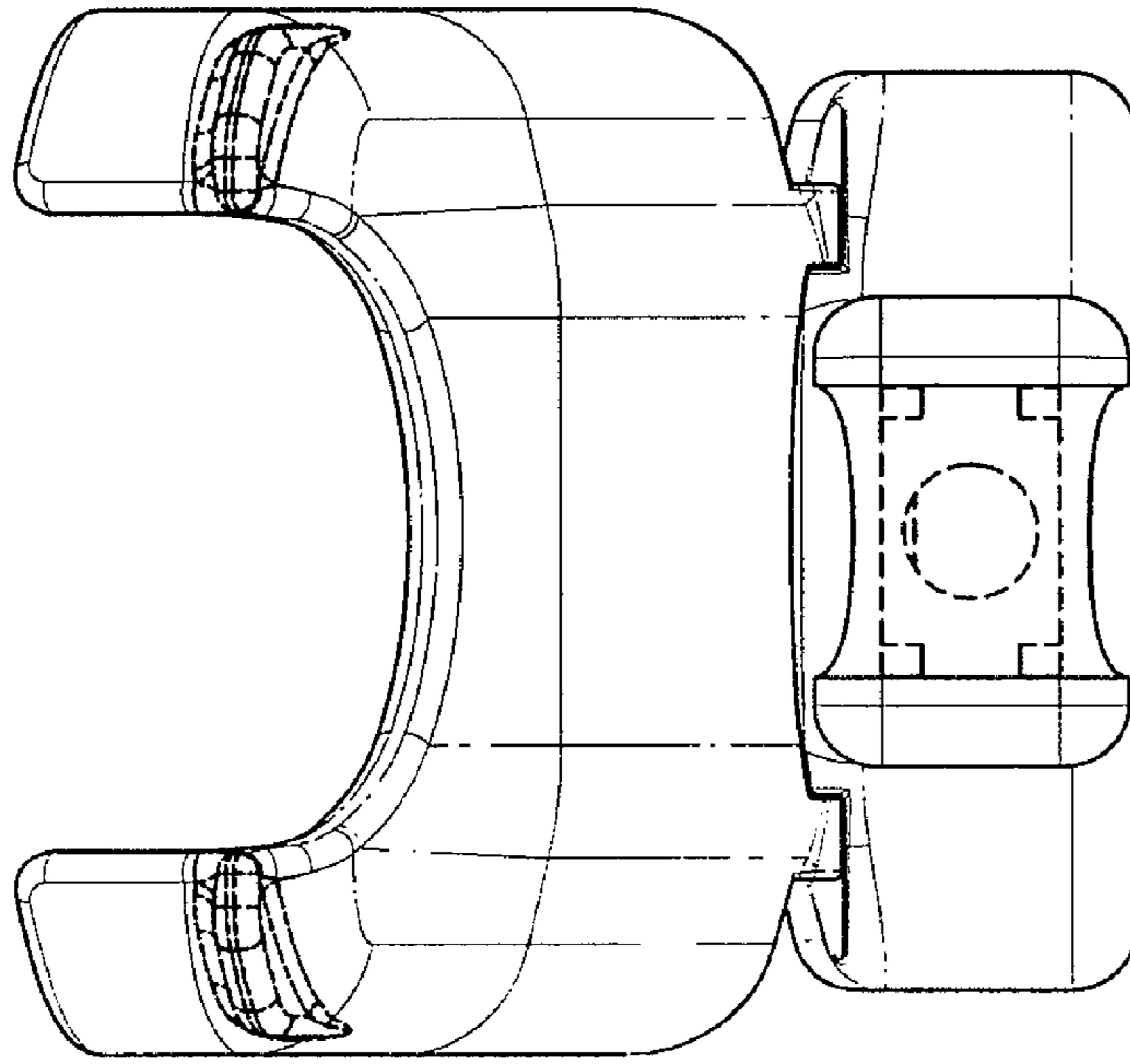


FIG. 7

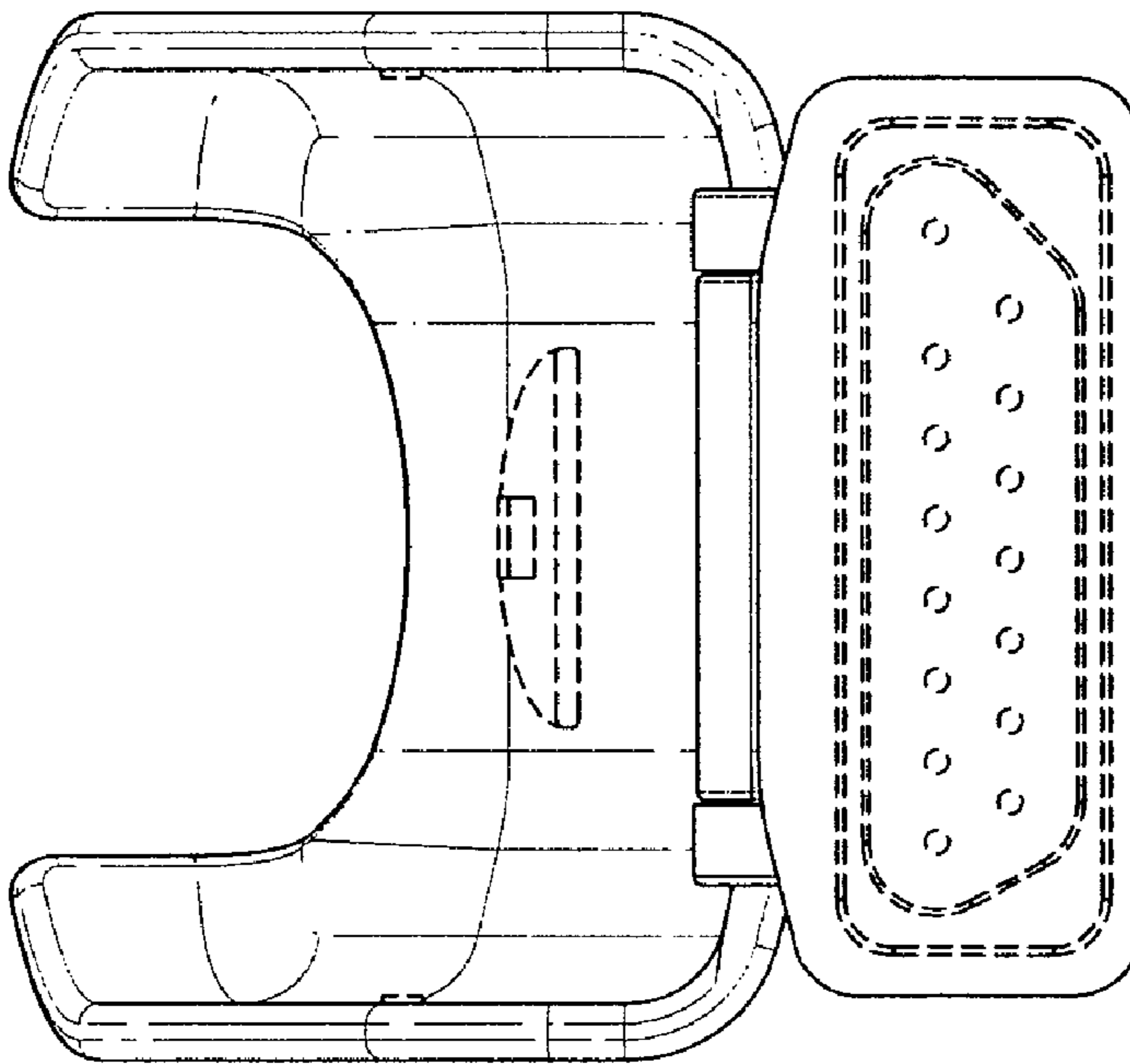


FIG. 6