



US00D614304S

(12) **United States Design Patent**
Jansheski

(10) **Patent No.:** **US D614,304 S**
(45) **Date of Patent:** **** *Apr. 20, 2010**

- (54) **LOW PROFILE MOUTHGUARD**
 - (75) Inventor: **John M. Jansheski**, Maryville, TN (US)
 - (73) Assignee: **DenTek Oral Care, Inc.**, Maryville, TN (US)
 - (*) Notice: This patent is subject to a terminal disclaimer.
 - (**) Term: **14 Years**
 - (21) Appl. No.: **29/299,274**
 - (22) Filed: **Dec. 21, 2007**
 - (51) **LOC (9) Cl.** **24-02**
 - (52) **U.S. Cl.** **D24/180**
 - (58) **Field of Classification Search** D24/191, D24/180, 181, 182, 176, 152; D29/108, D29/106; 433/44, 70; 128/859, 861, 862; 604/20
- See application file for complete search history.

6,164,278 A	12/2000	Nissani
6,200,133 B1	3/2001	Kittelsen
6,237,601 B1	5/2001	Kittelsen et al.
6,371,758 B1	4/2002	Kittelsen
6,415,794 B1	7/2002	Kittelsen et al.
6,539,943 B1	4/2003	Kittelsen et al.
6,626,180 B1	9/2003	Kittelsen et al.
6,691,710 B2	2/2004	Kittelsen et al.
6,830,051 B1	12/2004	Lesniak et al.
6,978,786 B2	12/2005	Sabbagh
2006/0011204 A1	1/2006	Maher
2006/0096602 A1	5/2006	Brown

Primary Examiner—Charles A Rademaker
(74) *Attorney, Agent, or Firm*—Proskauer Rose LLP

(57) **CLAIM**

The ornamental design of a low profile mouthguard, as shown and described.

DESCRIPTION

FIG. 1 is a front and top perspective view of a low profile mouthguard showing my new design;

FIG. 2 is a top view thereof;

FIG. 3 is a bottom view thereof.

FIG. 4 is a right side view thereof;

FIG. 5 is a front view thereof;

FIG. 6 is a left side view thereof;

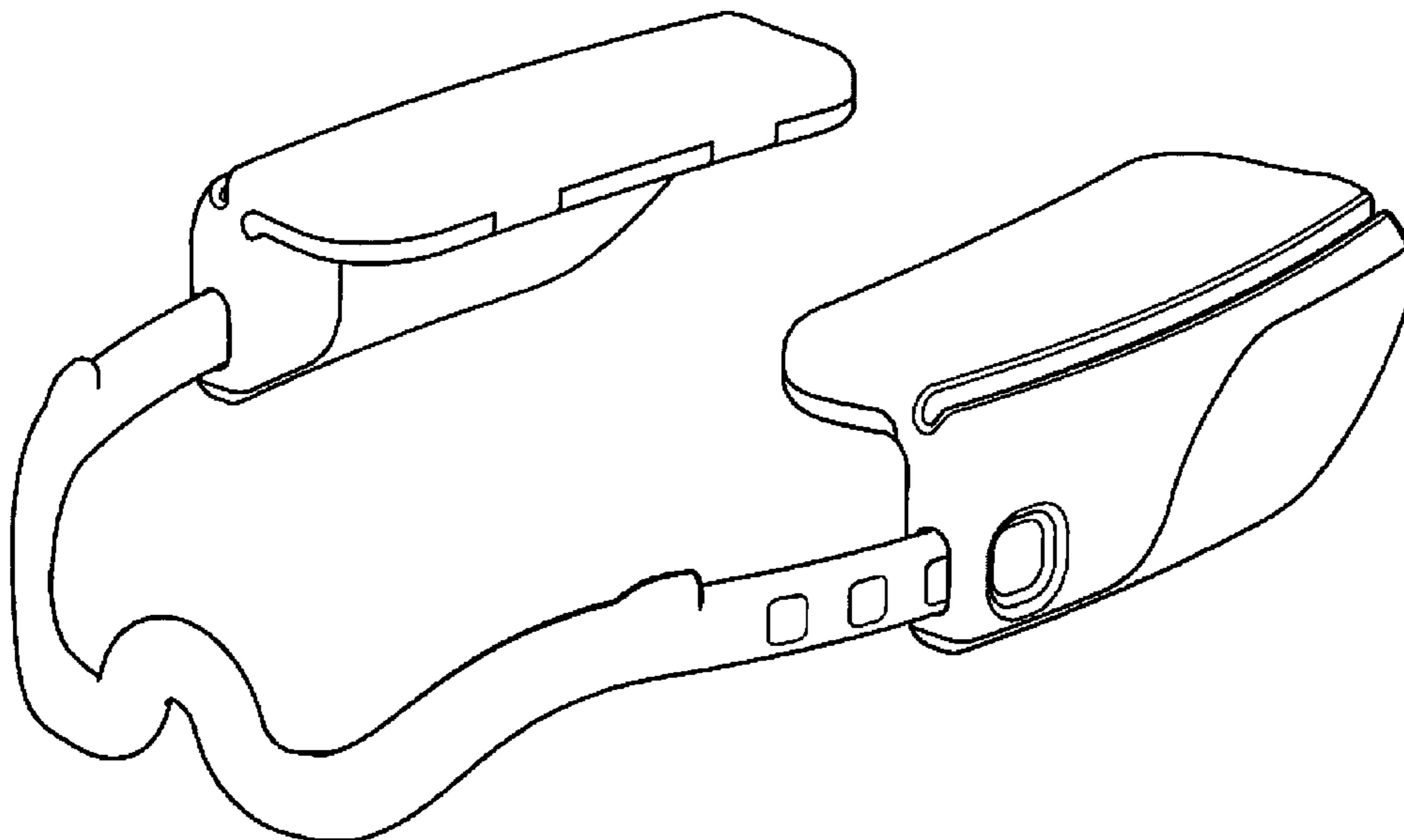
FIG. 7 is a rear view thereof; and,

FIG. 8 is a rear lower perspective view of the mouthguard.

The broken lines shown in FIG. 7 are included for the purpose of illustrating structural environment and form no part of the claimed design.

1 Claim, 4 Drawing Sheets

- (56) **References Cited**
- U.S. PATENT DOCUMENTS
- 2,423,005 A 6/1947 Chaiken
- 3,532,091 A 10/1970 Lerman
- 4,881,896 A 11/1989 Bergersen
- D373,421 S 9/1996 Brown
- 5,718,575 A 2/1998 Cross, III
- D397,442 S 8/1998 Kittelsen
- 5,836,761 A 11/1998 Belvedere et al.
- 5,873,365 A 2/1999 Brown
- D406,405 S 3/1999 Yoshida
- 5,879,155 A 3/1999 Kittelsen
- 6,012,919 A 1/2000 Cross, III et al.
- 6,152,138 A 11/2000 Brown et al.



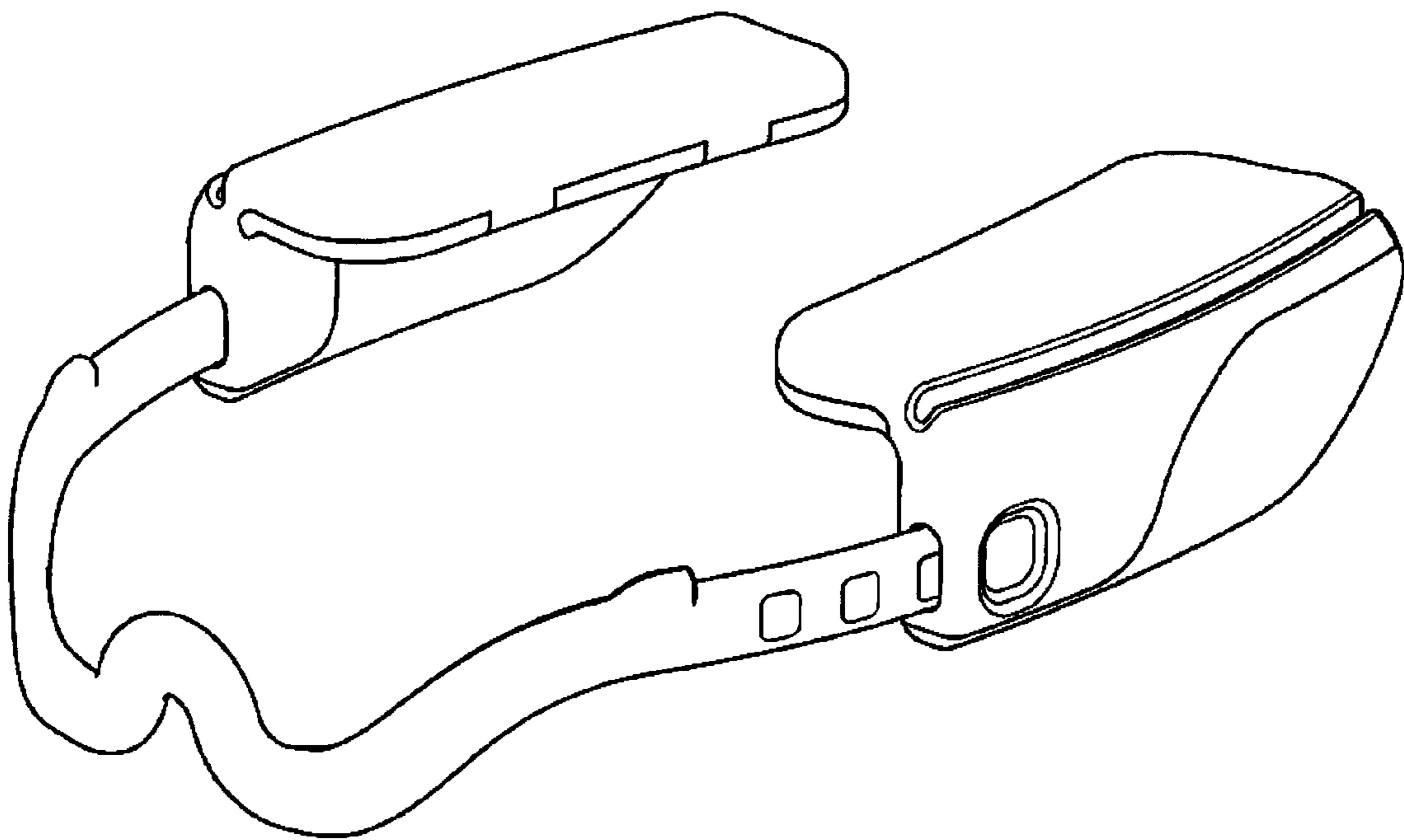


FIG. 1

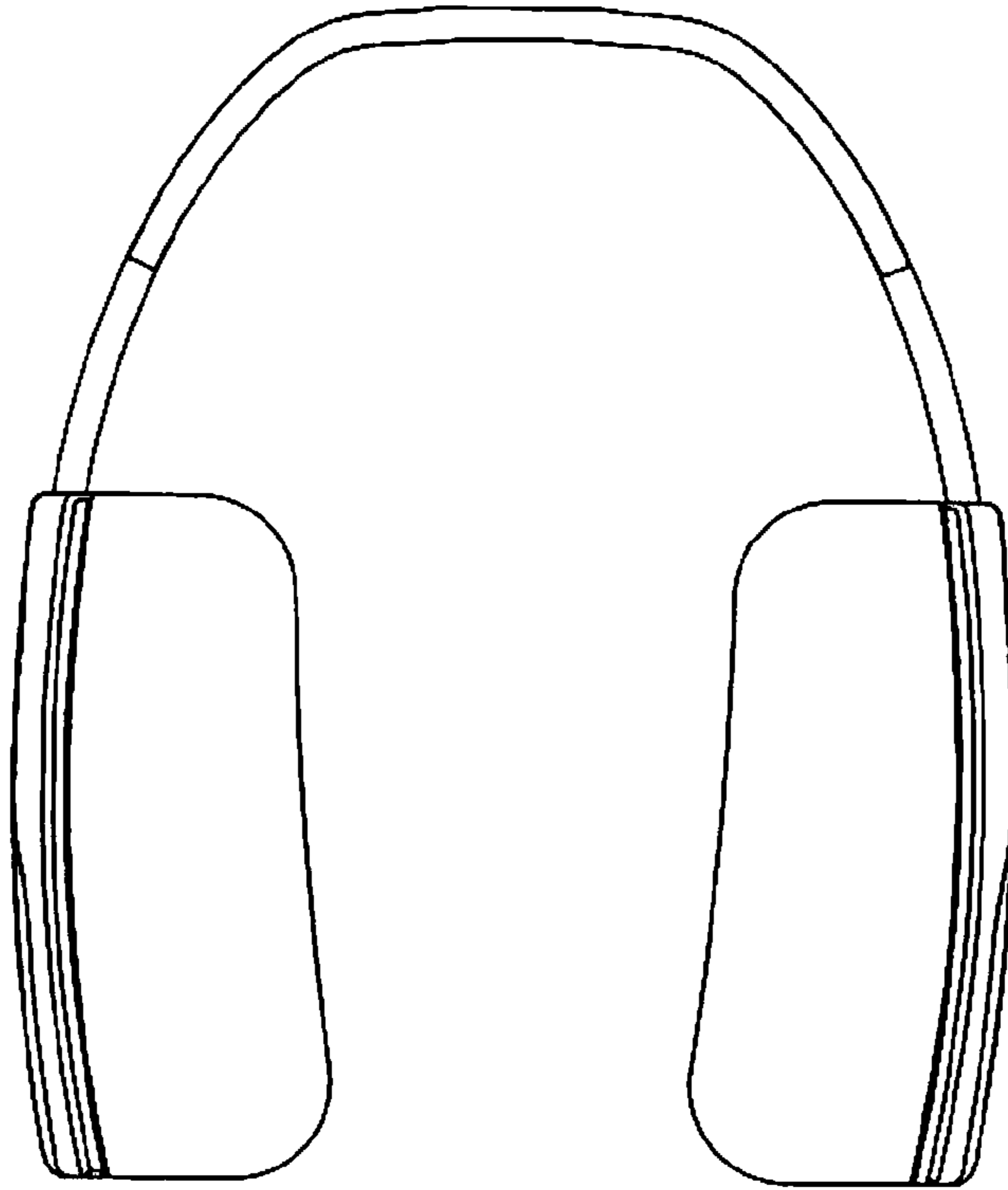


FIG. 2

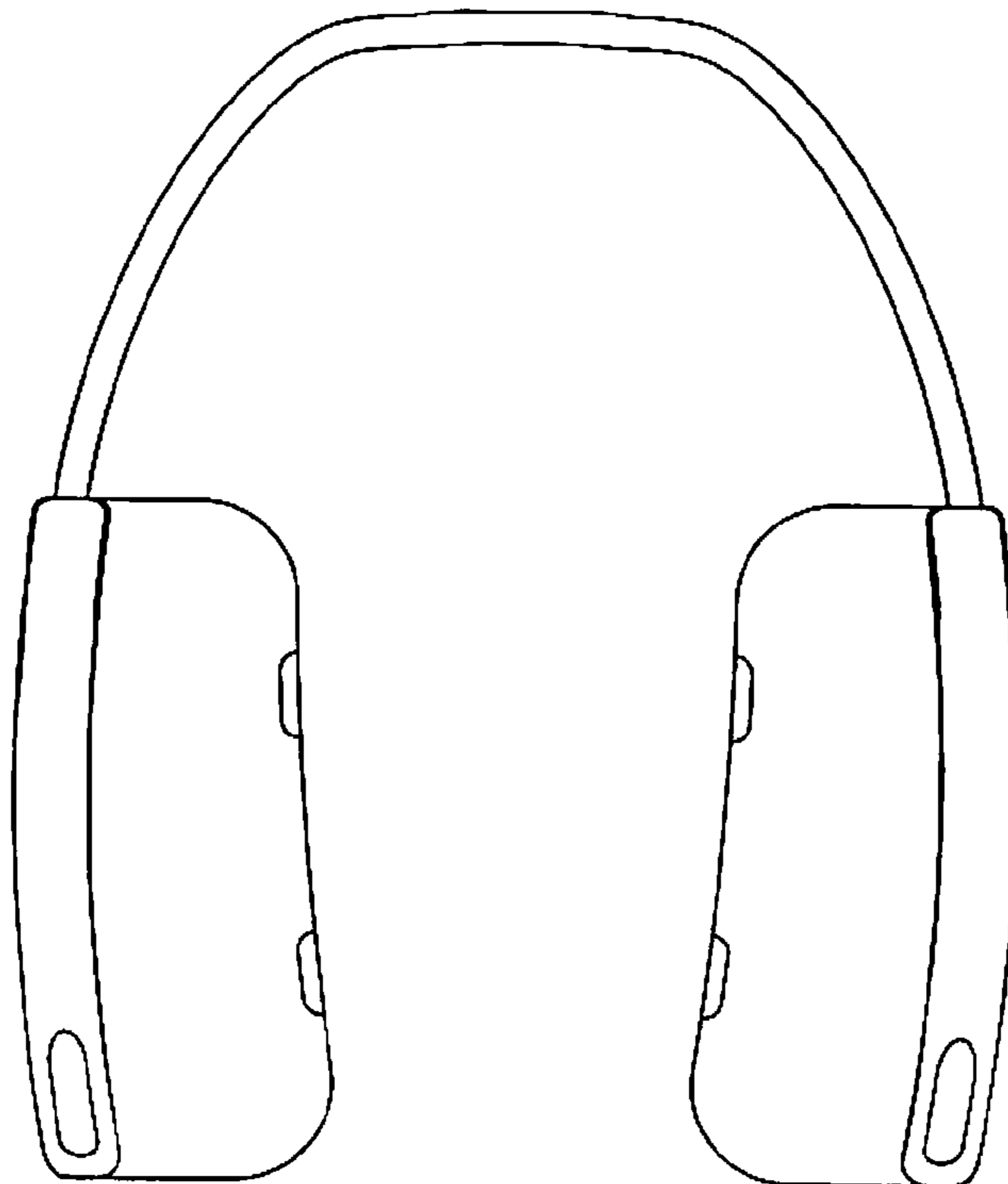


FIG. 3

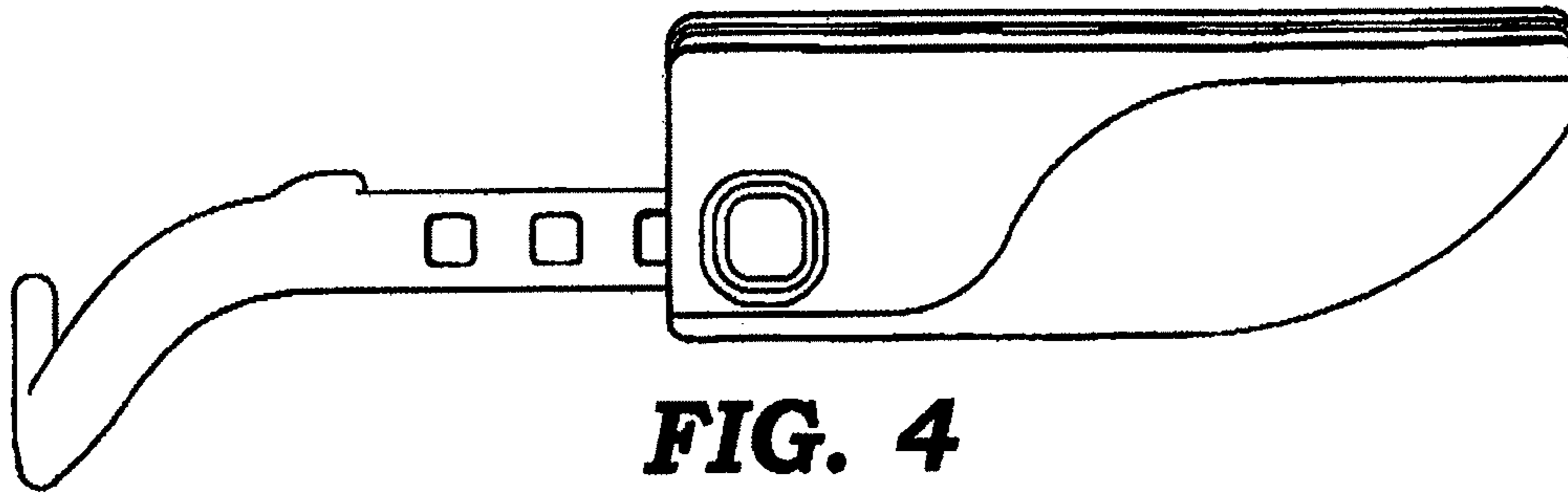


FIG. 4

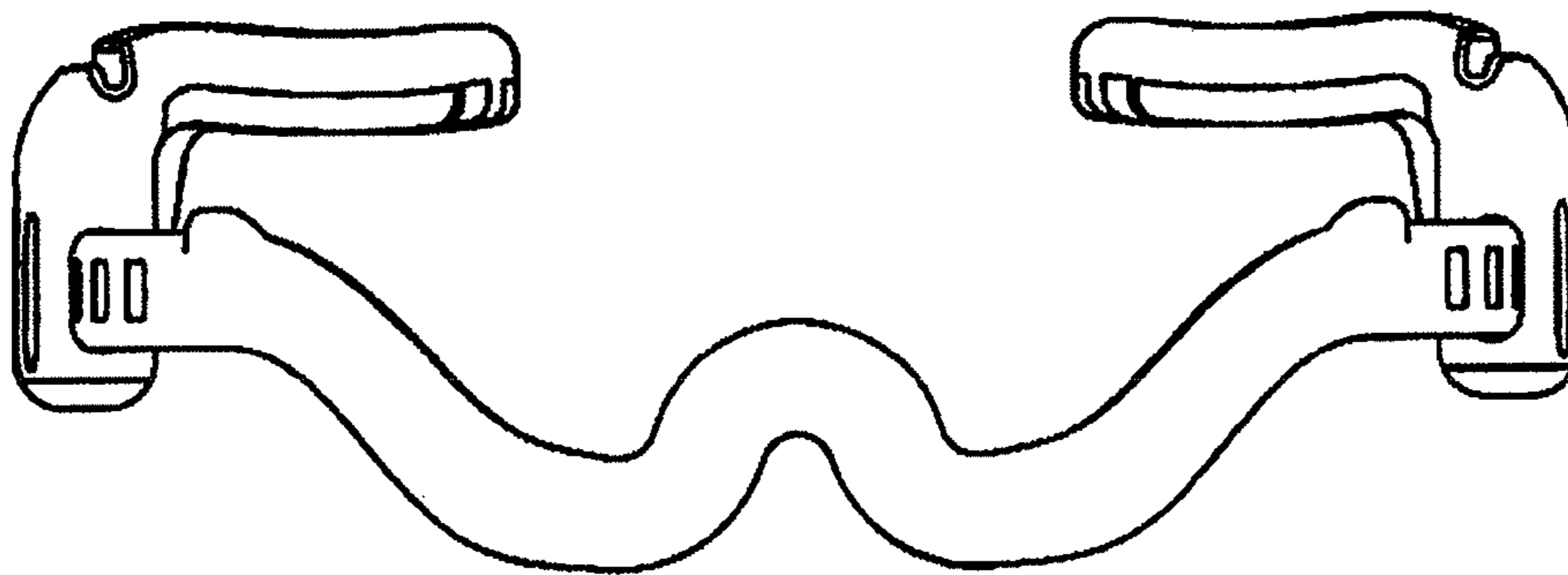


FIG. 5

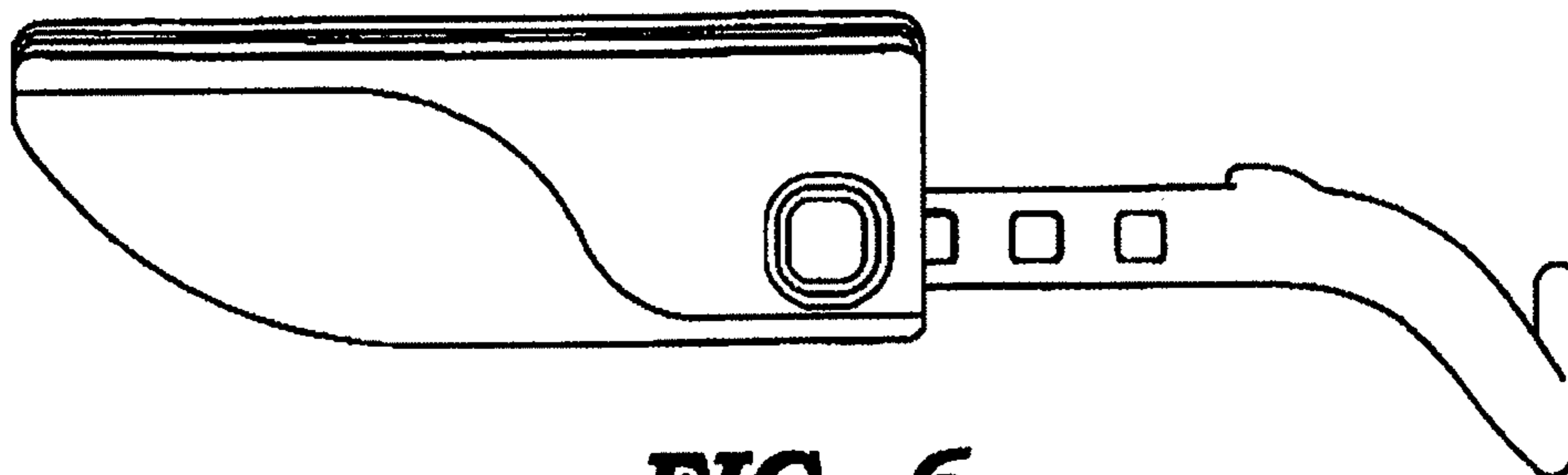


FIG. 6

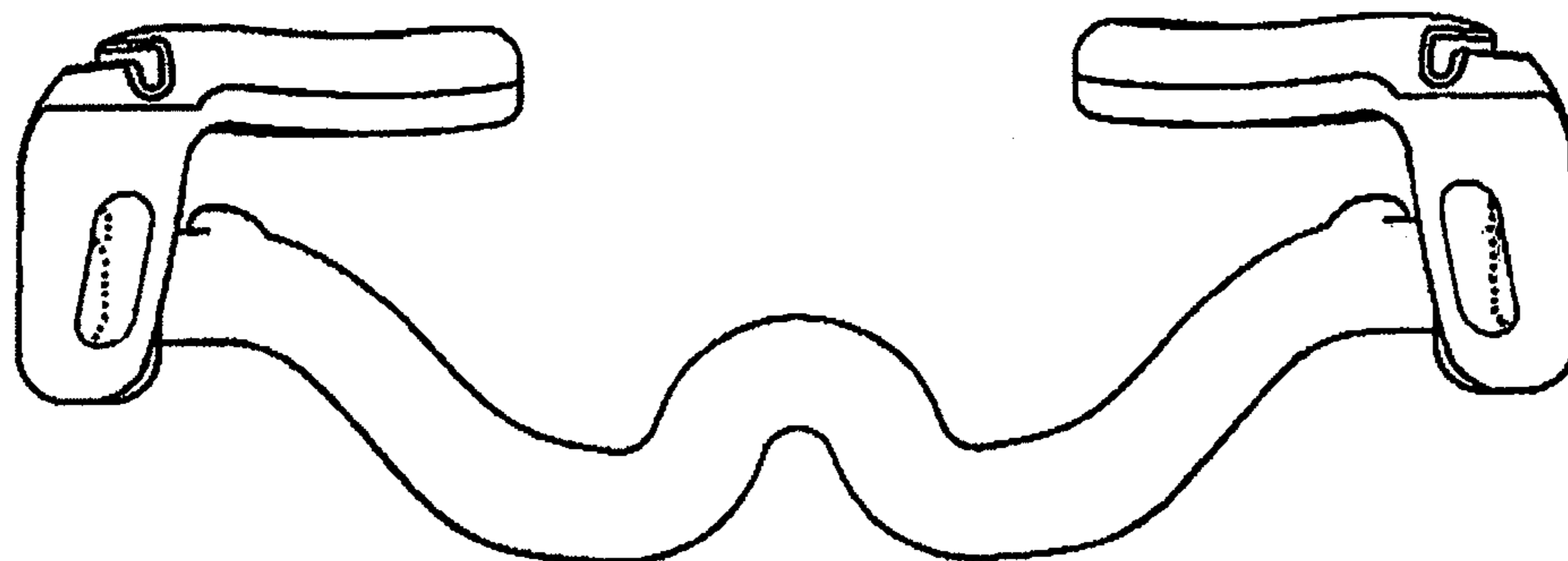


FIG. 7

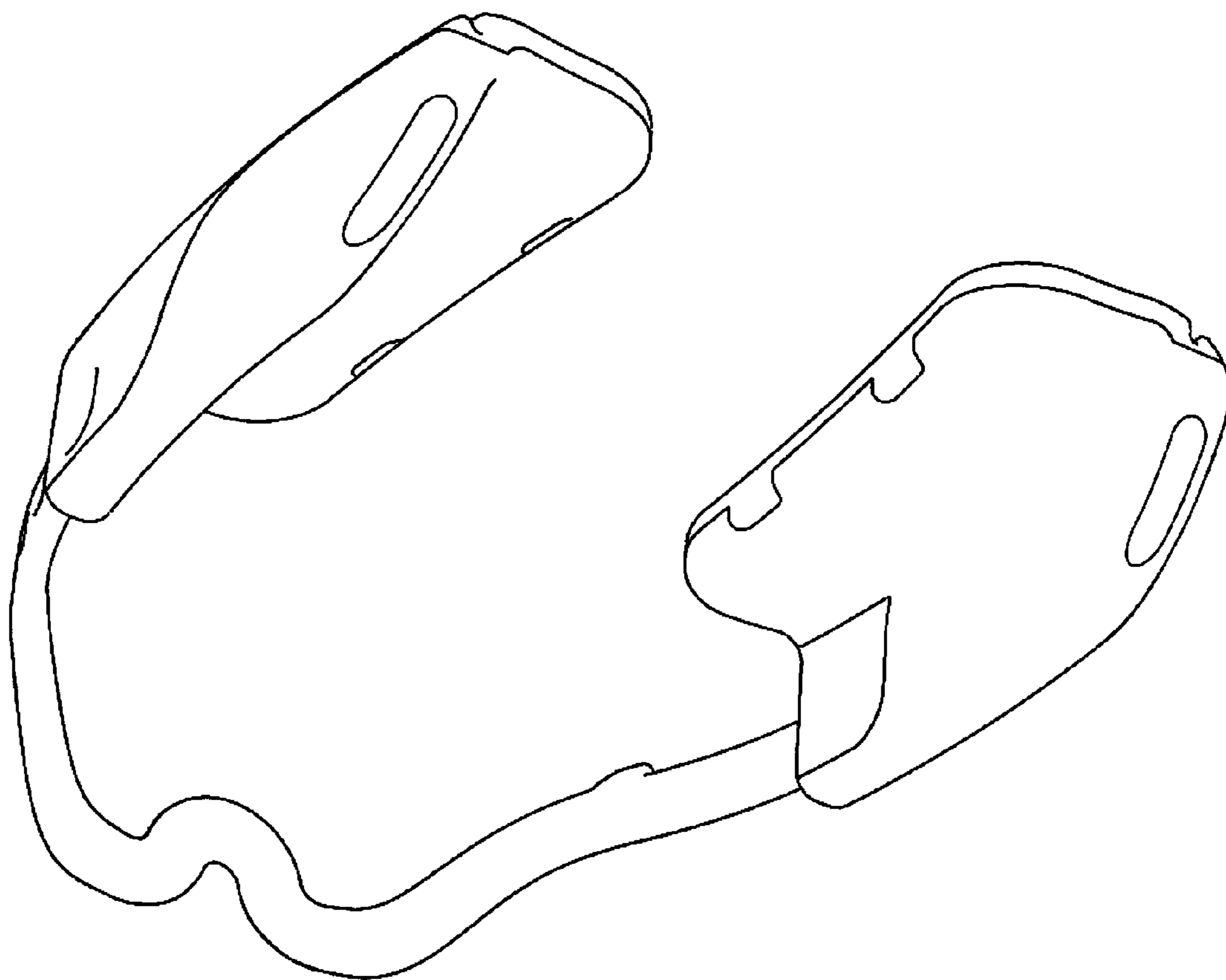


FIG. 8