

US00D614302S

(12) **United States Design Patent**
Eisele

(10) **Patent No.:** **US D614,302 S**
(45) **Date of Patent:** **** Apr. 20, 2010**

(54) **MICROABLATOR**

(75) Inventor: **Hans-Peter Eisele**, Tuttlingen (DE)

(73) Assignee: **Karl Storz GmbH & Co. KG** (DE)

(**) Term: **14 Years**

(21) Appl. No.: **29/332,288**

(22) Filed: **Feb. 12, 2009**

(30) **Foreign Application Priority Data**

Aug. 12, 2008 (EM) 000985841-0001

(51) **LOC (9) Cl.** **24-02**

(52) **U.S. Cl.** **D24/146; D24/144**

(58) **Field of Classification Search** D24/108,
D24/133, 137-138, 146-147; 600/101, 104-105,
600/112-114, 131, 135-138, 153, 156; 285/316;
606/46, 49, 96, 170, 172, 180, 205
See application file for complete search history.

(56) **References Cited**

U.S. PATENT DOCUMENTS

1,967,015	A *	7/1934	Wappler	606/49
2,691,370	A *	10/1954	Wallace	600/104
4,951,977	A *	8/1990	Shutt	285/316
4,959,058	A *	9/1990	Michelson	604/523
4,973,321	A *	11/1990	Michelson	604/523
5,031,603	A *	7/1991	Gautier et al.	600/135
5,807,240	A *	9/1998	Muller et al.	600/135
6,971,989	B2 *	12/2005	Yossepowitch	600/105

D570,480	S *	6/2008	Rehbein et al.	D24/133
D571,007	S *	6/2008	Rehbein et al.	D24/133
D573,257	S *	7/2008	Rehbein et al.	D24/133
D594,121	S *	6/2009	Berberich et al.	D24/133

* cited by examiner

Primary Examiner—Ian Simmons

Assistant Examiner—Wan Laymon

(74) *Attorney, Agent, or Firm*—St. Onge Steward Johnston & Reens LLC

(57) **CLAIM**

The ornamental design for a microablator, as shown and described.

DESCRIPTION

FIG. 1 is a top isometric view of a microablator in accordance with the new design;

FIG. 2 is a left side view thereof;

FIG. 3 is a right side view thereof;

FIG. 4 is a top view thereof;

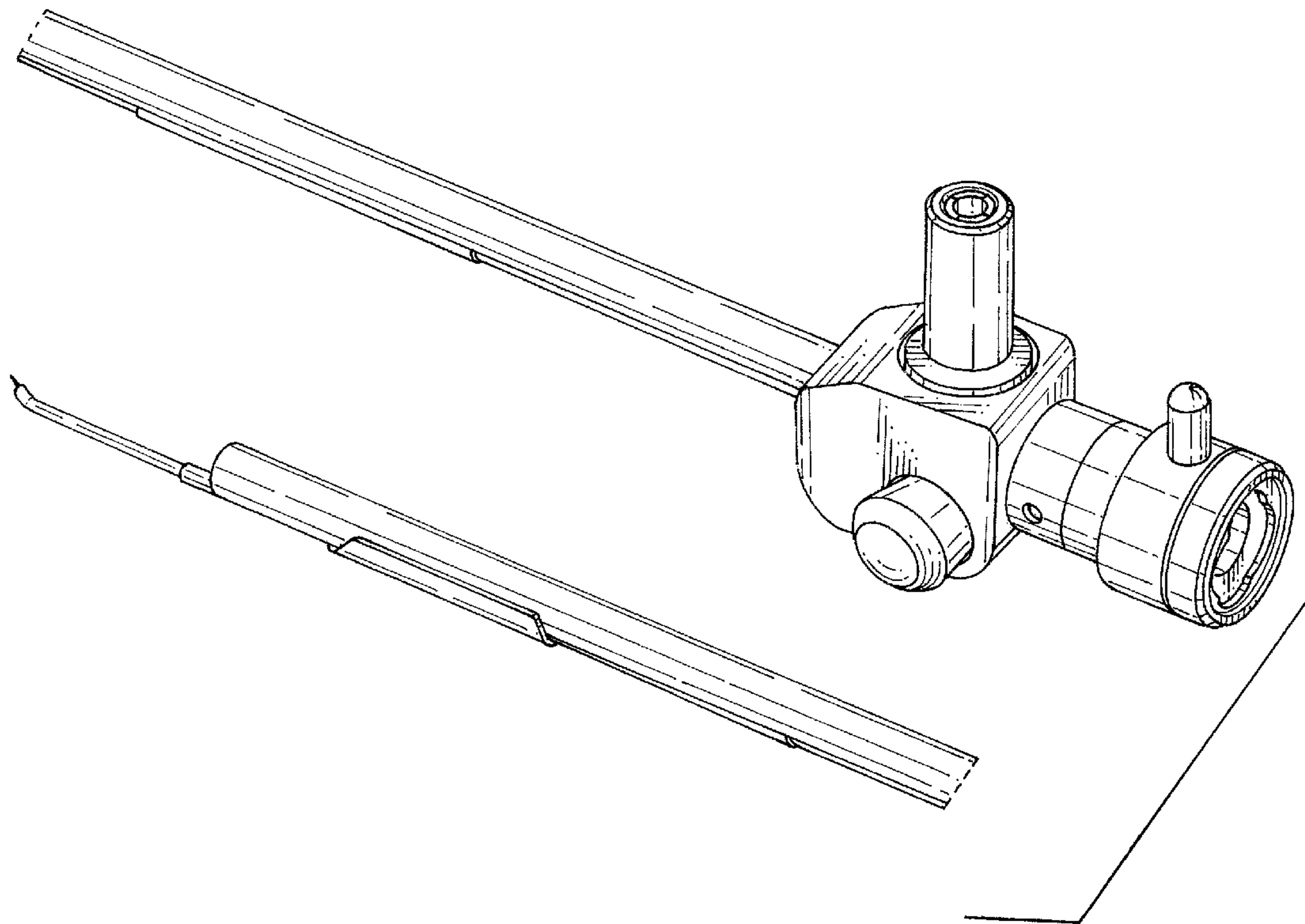
FIG. 5 is a bottom view thereof;

FIG. 6 is a rear view thereof; and,

FIG. 7 is a front view thereof.

FIGS. 1-5 shown as broken in the middle and embraced with a bracket are to indicate that no particular length is claimed. The broken line showing in FIG. 6 is for illustration purposes only and forms no part of the claimed design.

1 Claim, 6 Drawing Sheets



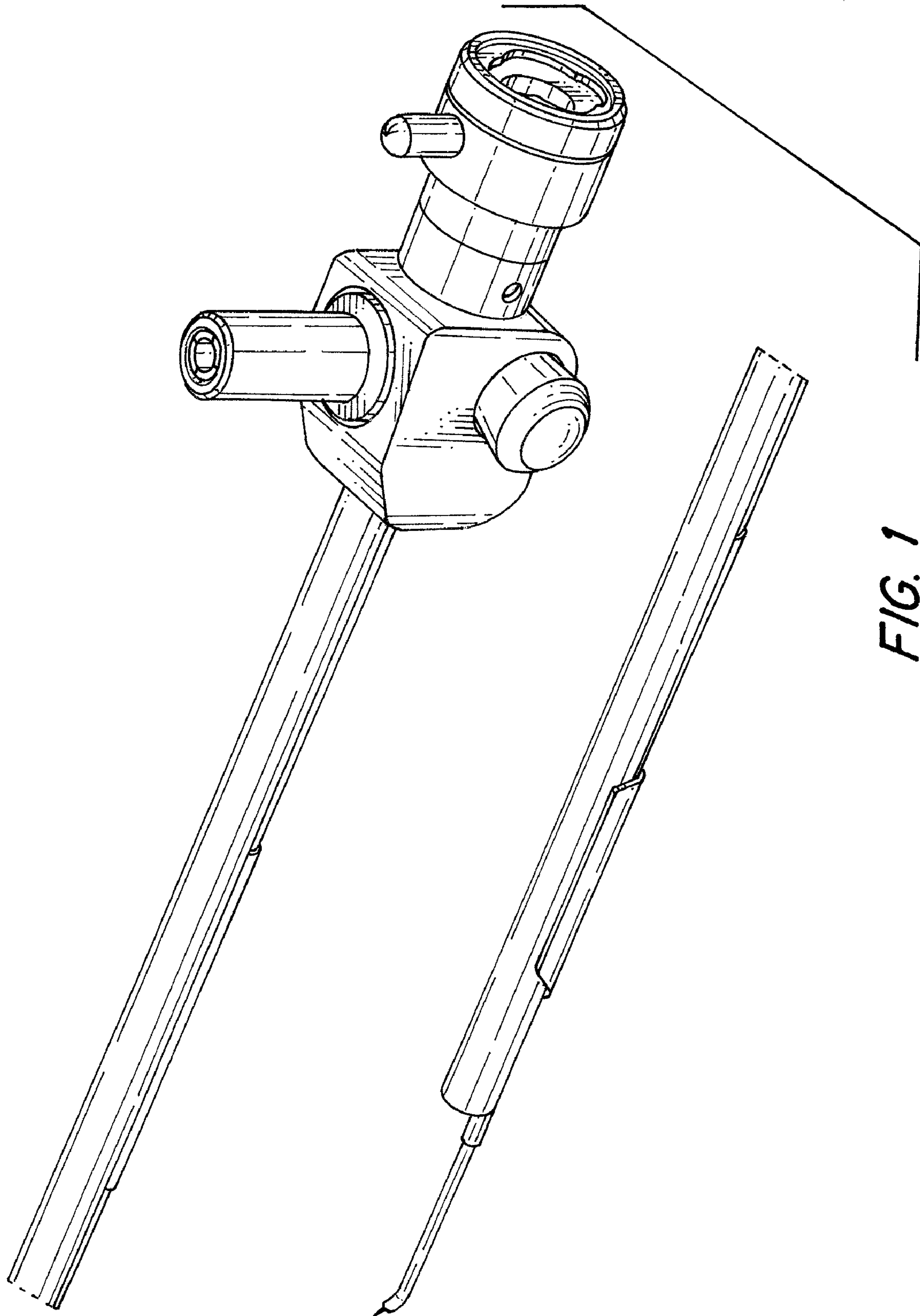


FIG. 1

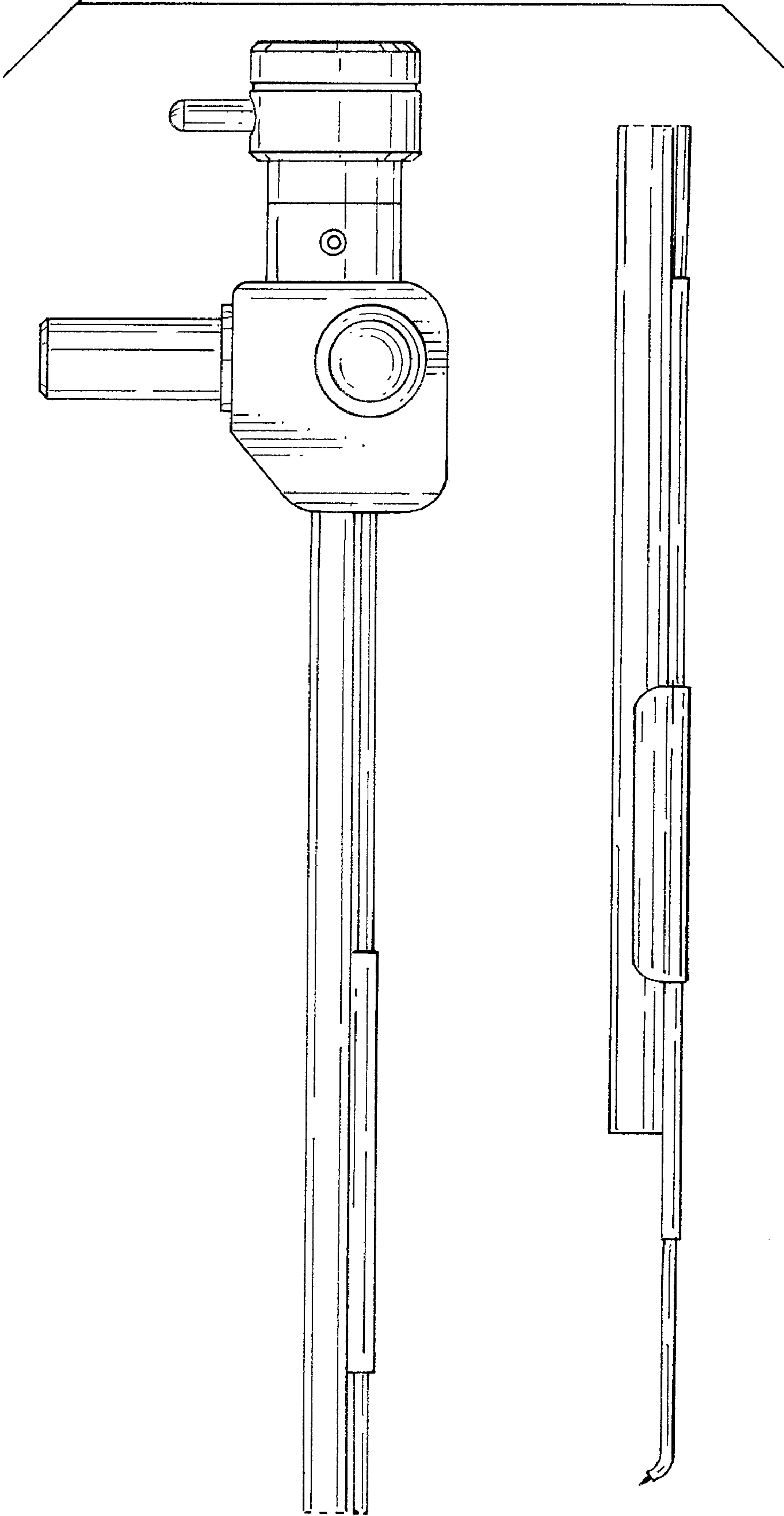


FIG. 2

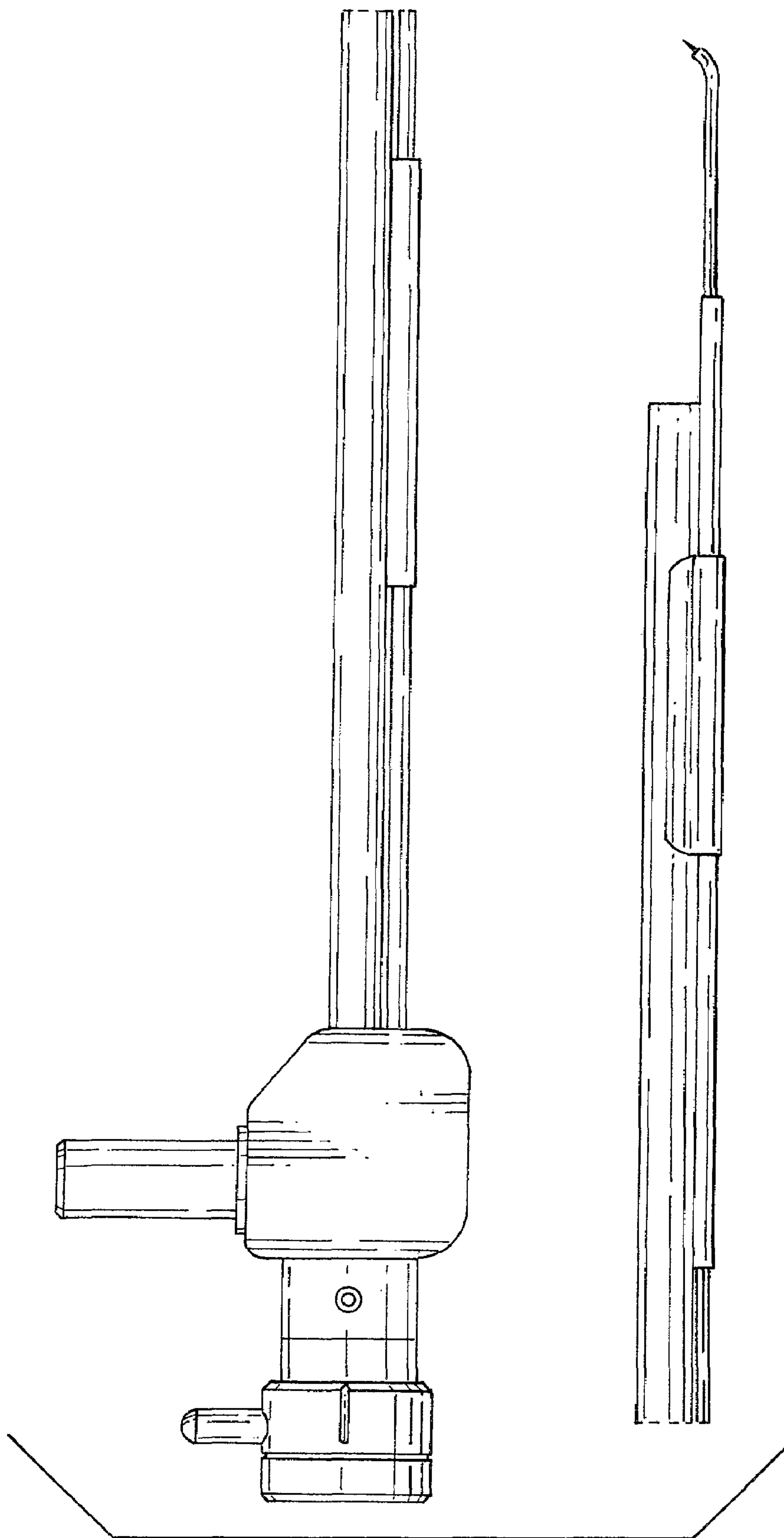


FIG. 3

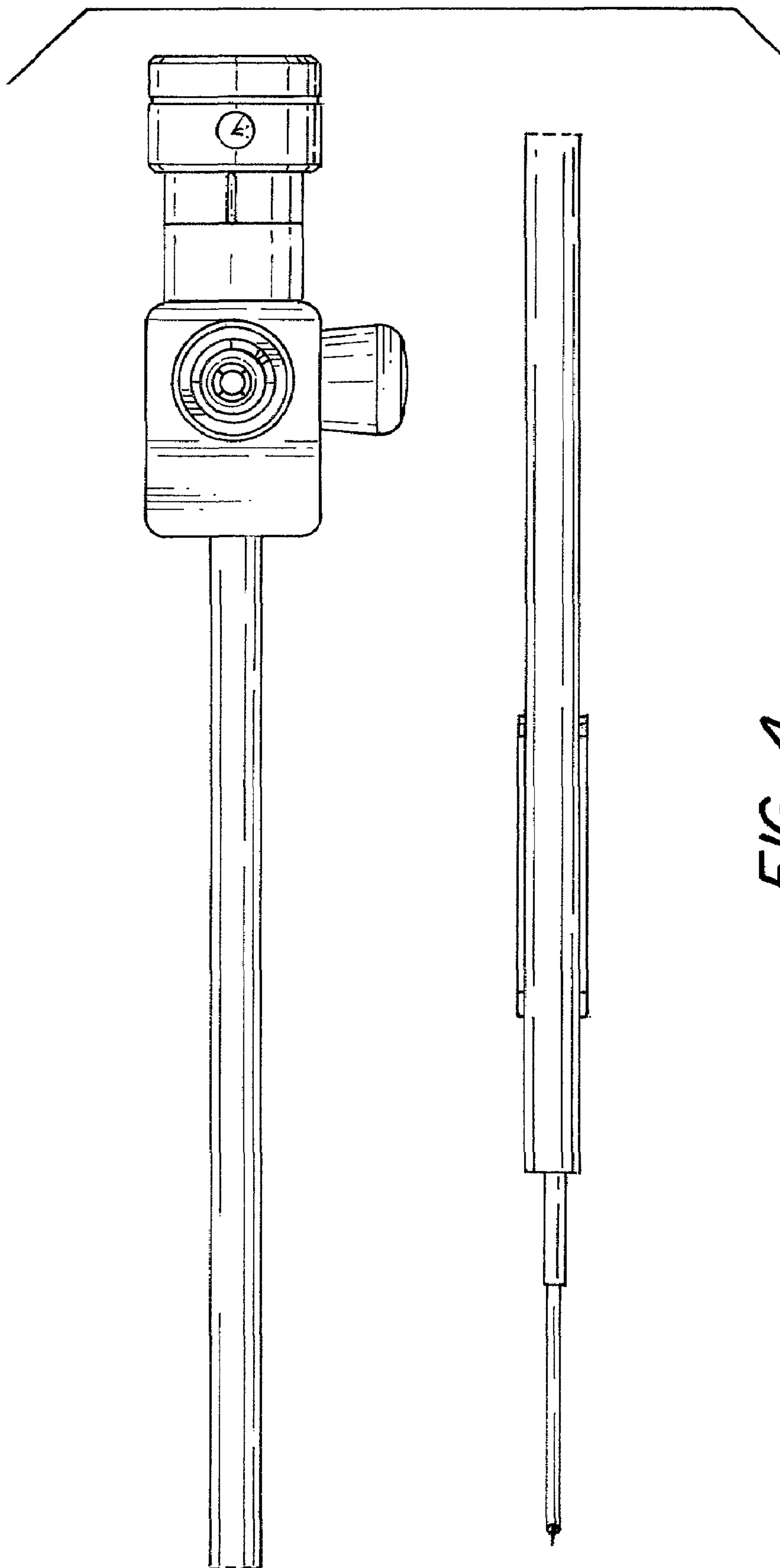


FIG. 4

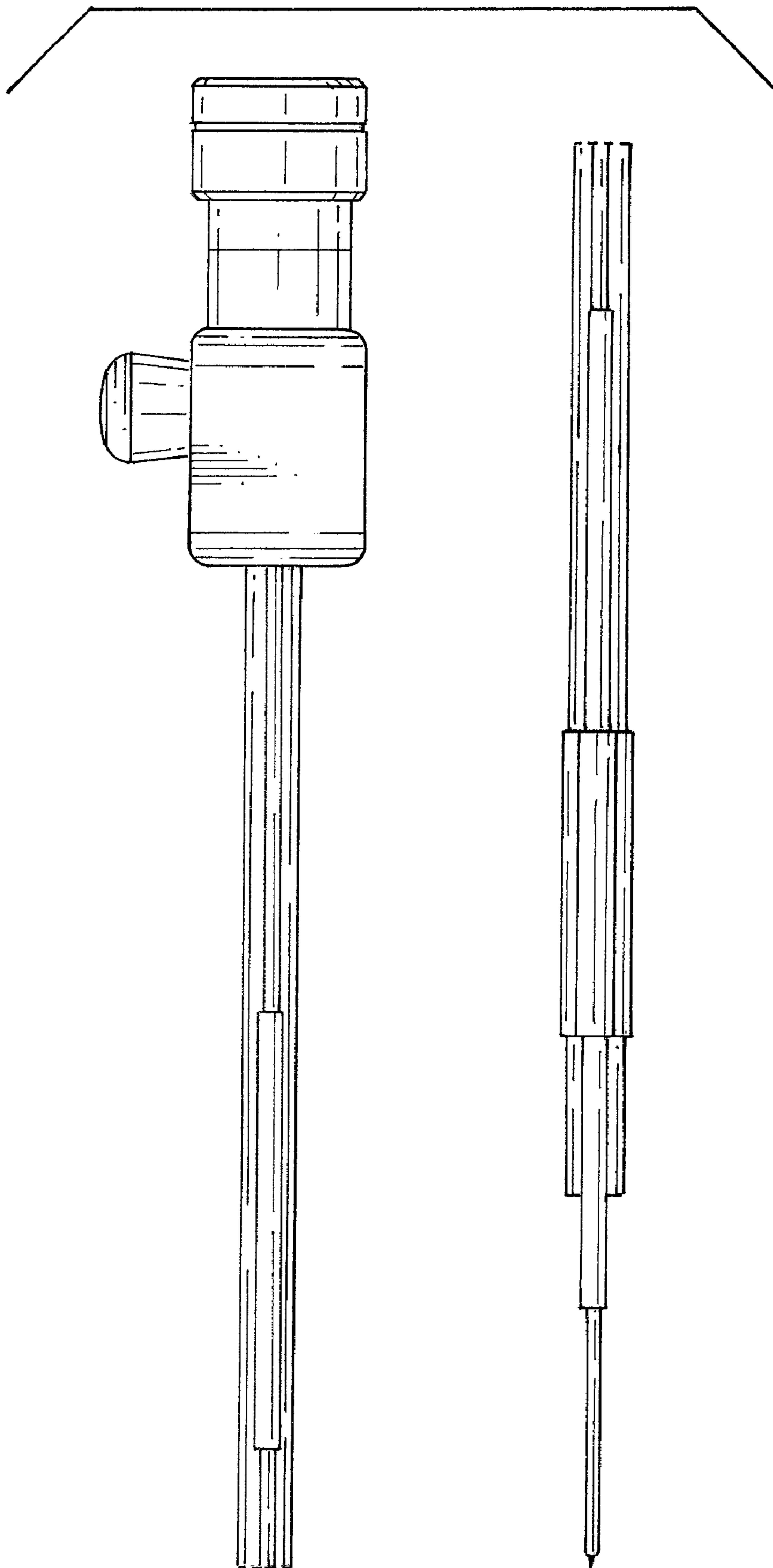


FIG. 5

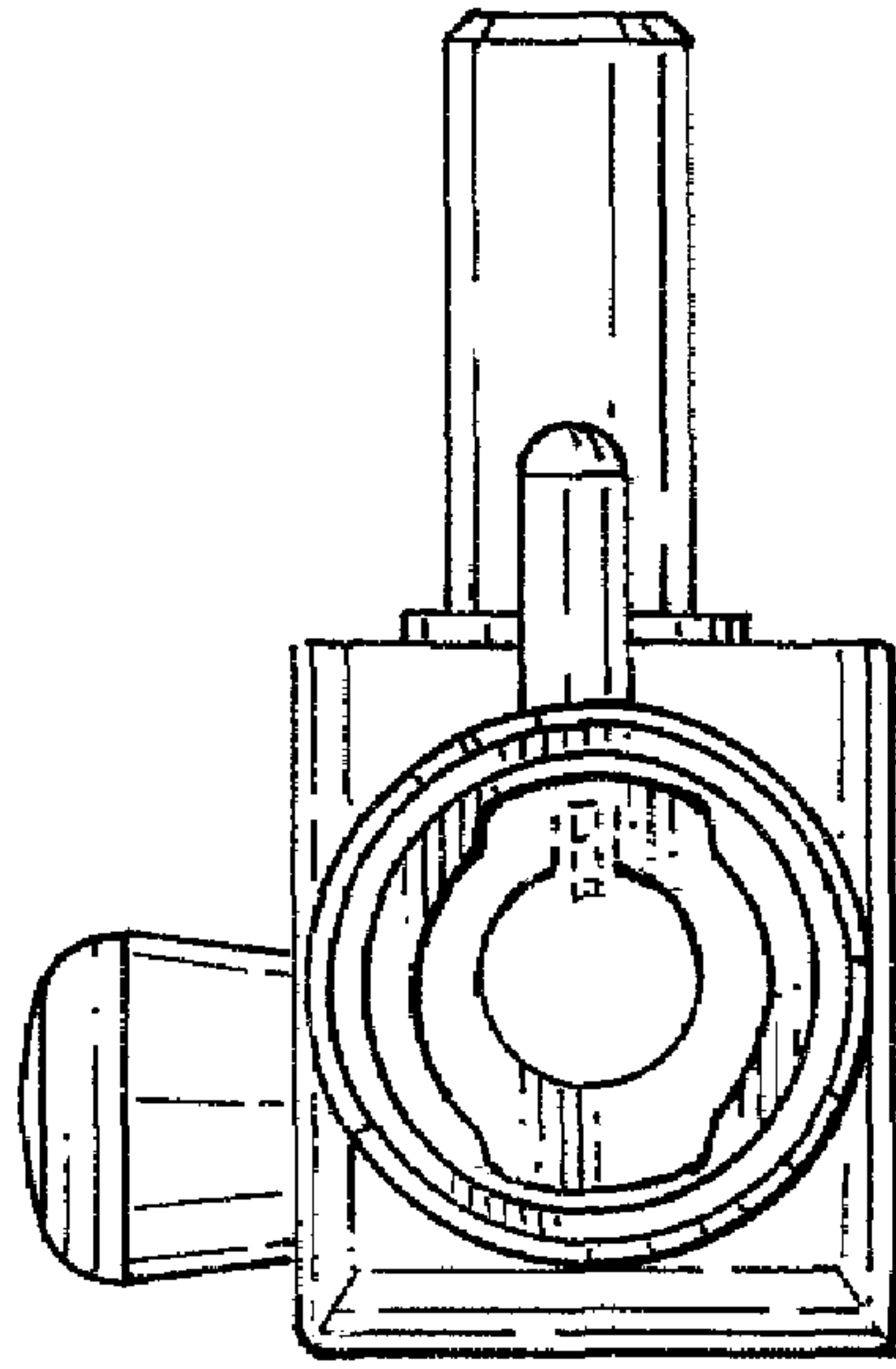


FIG. 6

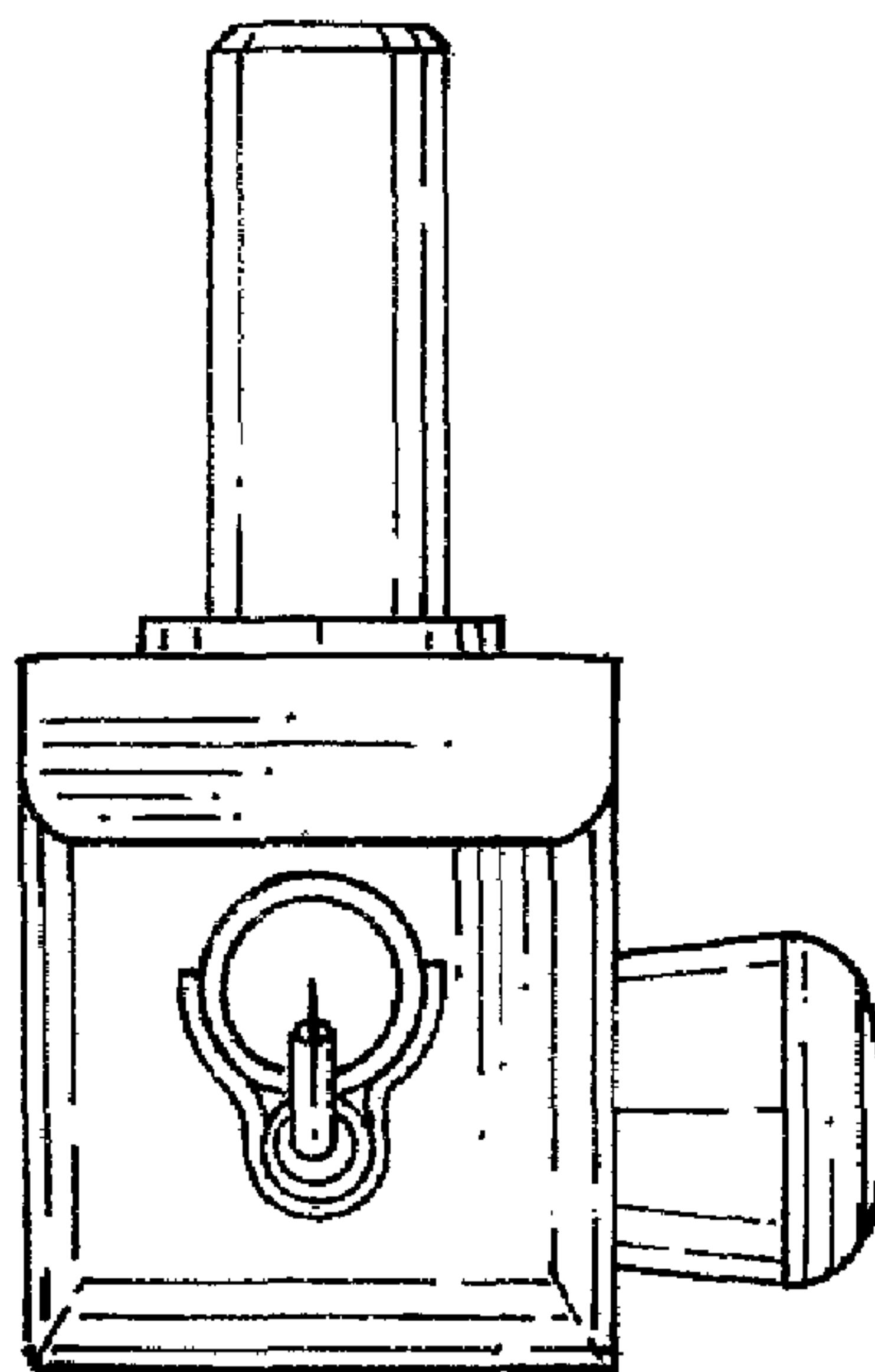


FIG. 7