



US00D614301S

(12) **United States Design Patent**
Jones

(10) **Patent No.:** **US D614,301 S**

(45) **Date of Patent:** **** Apr. 20, 2010**

(54) **STETHOSCOPE COVER SET**

(76) **Inventor:** **Rosa Lee Jones**, 36 Mercury Ct.,
Baltimore, MD (US) 21234

(**) **Term:** **14 Years**

(21) **Appl. No.:** **29/315,111**

(22) **Filed:** **May 27, 2009**

(51) **LOC (9) Cl.** **24-02**

(52) **U.S. Cl.** **D24/134; D24/106**

(58) **Field of Classification Search** D24/134,
D24/105, 106; 181/131; 600/528

See application file for complete search history.

(56) **References Cited**

U.S. PATENT DOCUMENTS

5,269,314	A *	12/1993	Kendall et al.	600/528
D349,959	S *	8/1994	Troiani	D24/134
5,428,193	A *	6/1995	Mandiberg	181/131
D363,120	S *	10/1995	Savage et al.	D24/134
5,564,431	A *	10/1996	Seward	600/528
5,587,561	A *	12/1996	Budayr et al.	181/131
5,592,946	A	1/1997	Eddy	
5,813,992	A *	9/1998	Henwood	600/528
6,019,187	A *	2/2000	Appavu	181/131
D437,048	S *	1/2001	Hirshfeld	D24/106
6,186,957	B1	2/2001	Milam	
D455,254	S	4/2002	Sanchez-Thomas	

6,467,568	B1	10/2002	Kemper	
D475,459	S *	6/2003	Wiles	D24/134
7,424,929	B1 *	9/2008	Martinez	181/131
D593,196	S *	5/2009	Osterberg	D24/105

* cited by examiner

Primary Examiner—Ian Simmons
Assistant Examiner—Charles D Hanson

(57) **CLAIM**

The ornamental design for a stethoscope cover set, as shown and described.

DESCRIPTION

FIG. 1 is a perspective view of a stethoscope cover set showing my new design;

FIG. 2 is a front elevational view thereof;

FIG. 3 is a rear elevational view thereof;

FIG. 4 is a left side elevational view thereof;

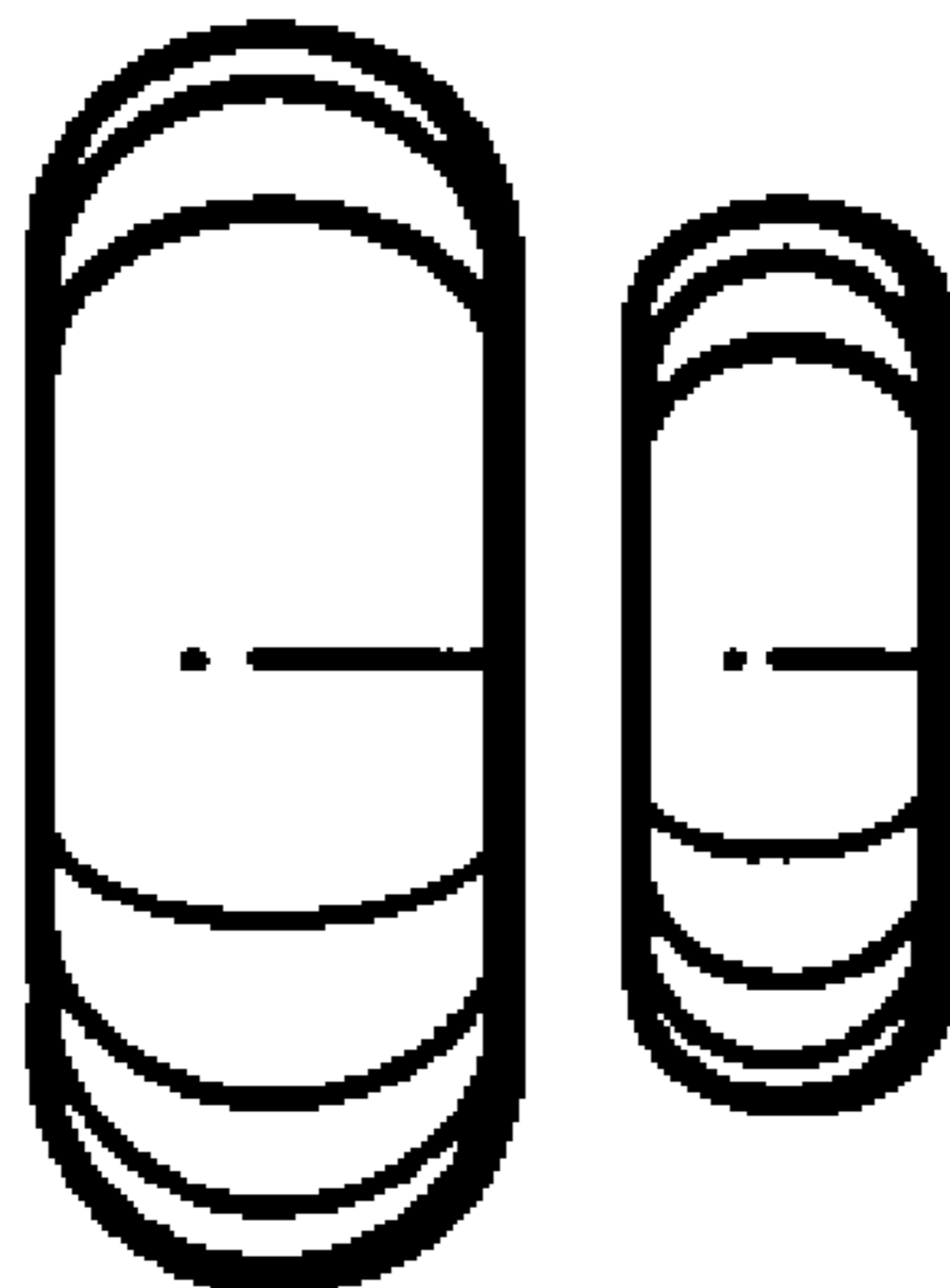
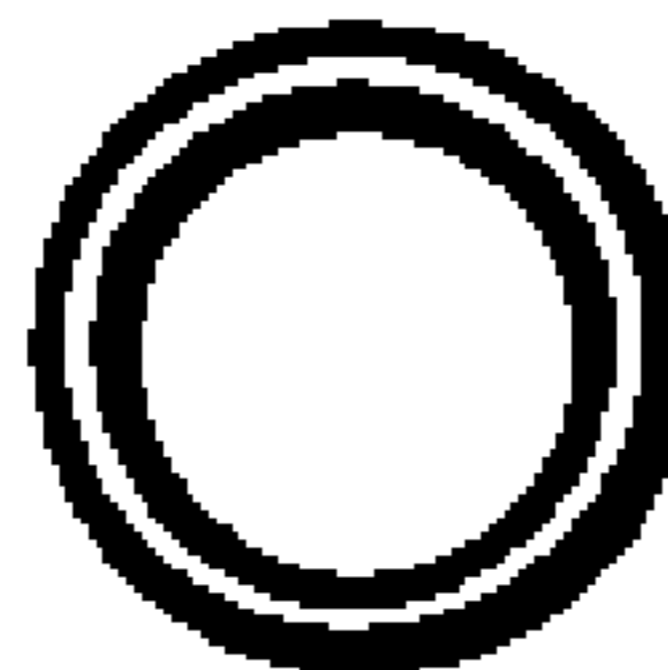
FIG. 5 is a right side elevational view thereof;

FIG. 6 is a top plan view thereof; and,

FIG. 7 is a bottom plan view thereof.

The broken line showing of the stethoscope is included for the purpose of illustrating environment and forms no part of the claimed design.

1 Claim, 2 Drawing Sheets



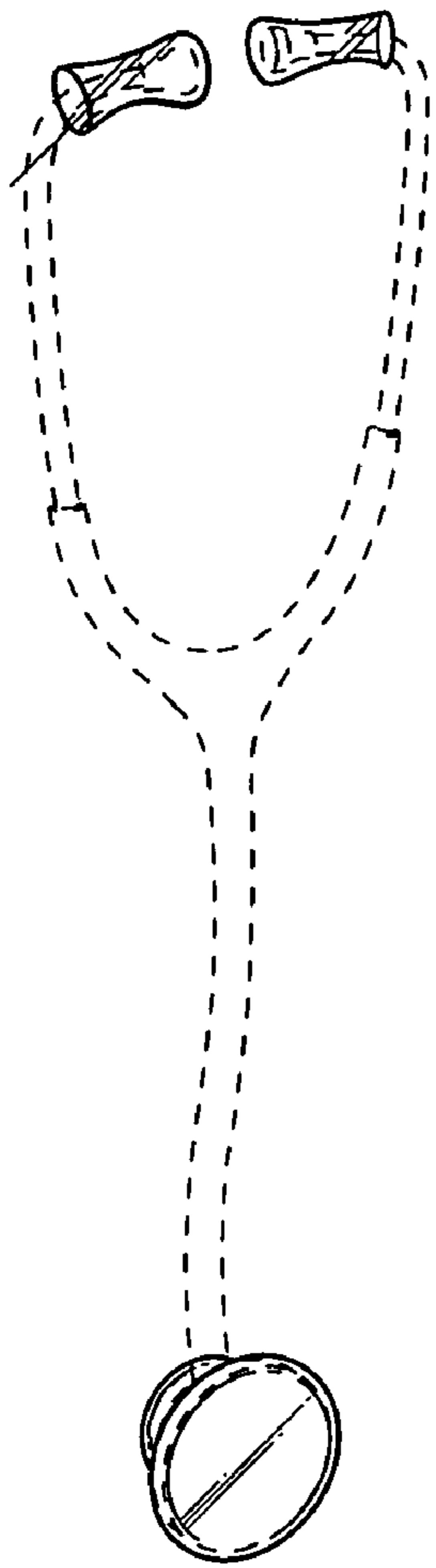


Fig. 1

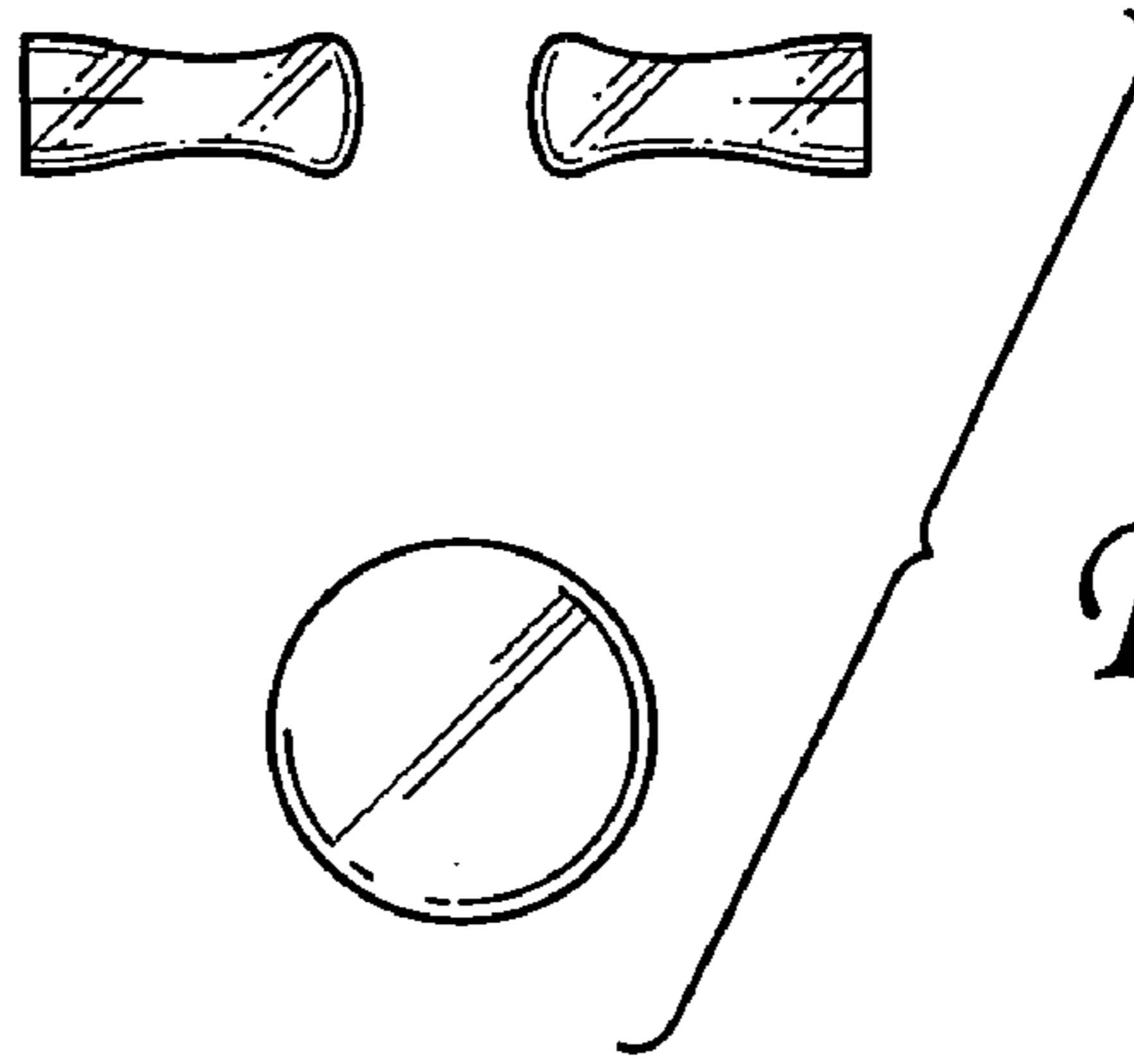


Fig. 2

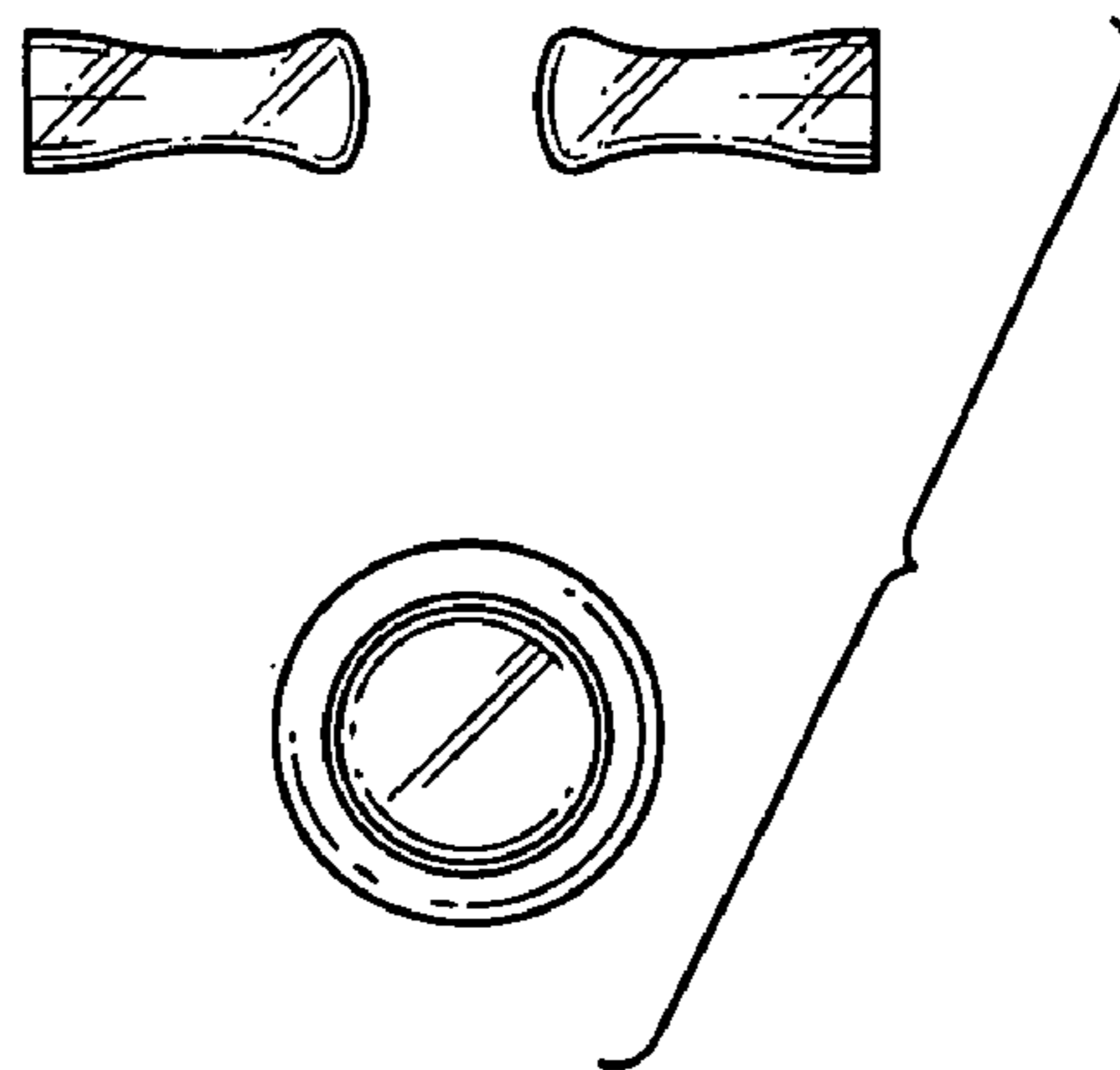


Fig. 3

Fig. 4

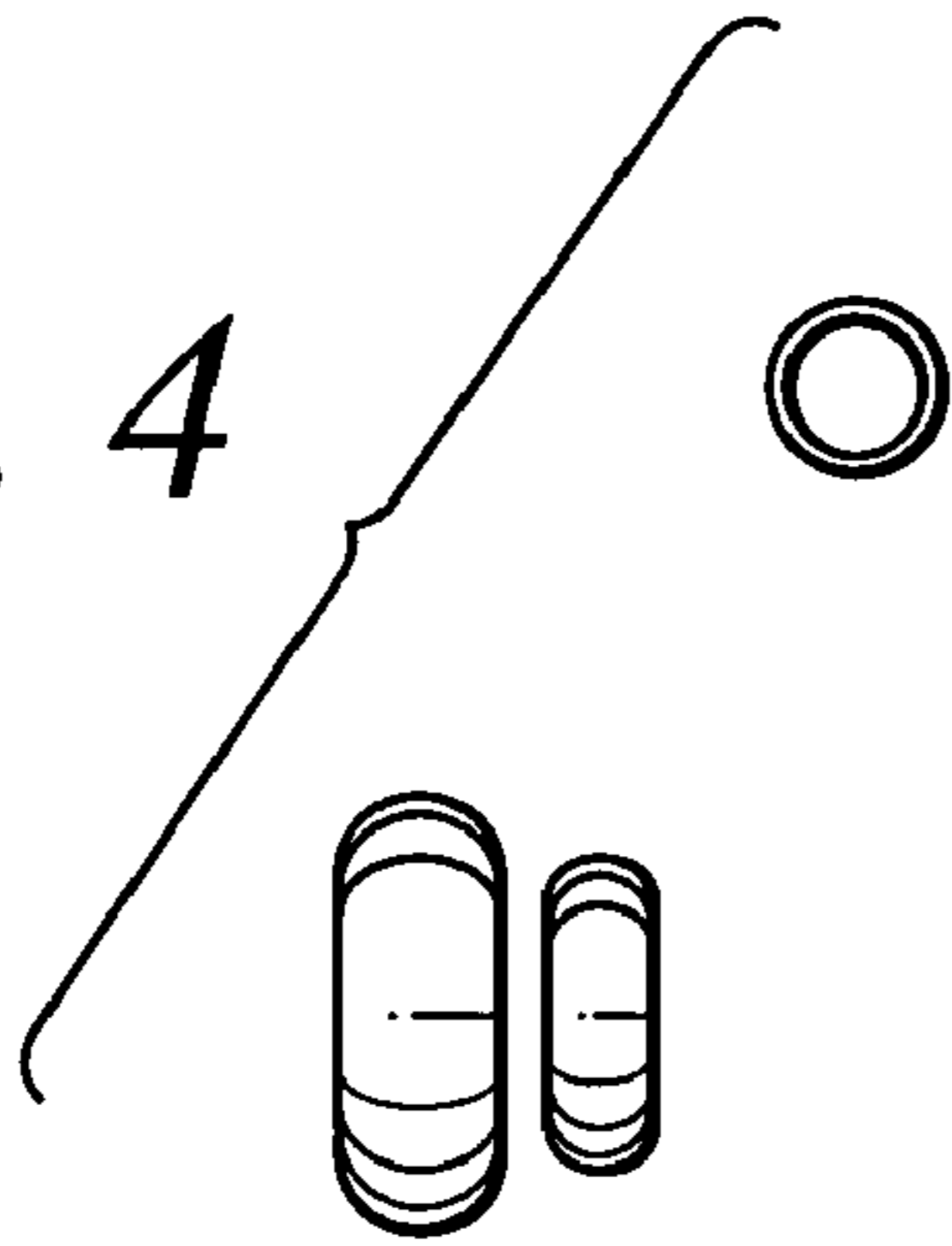


Fig. 5

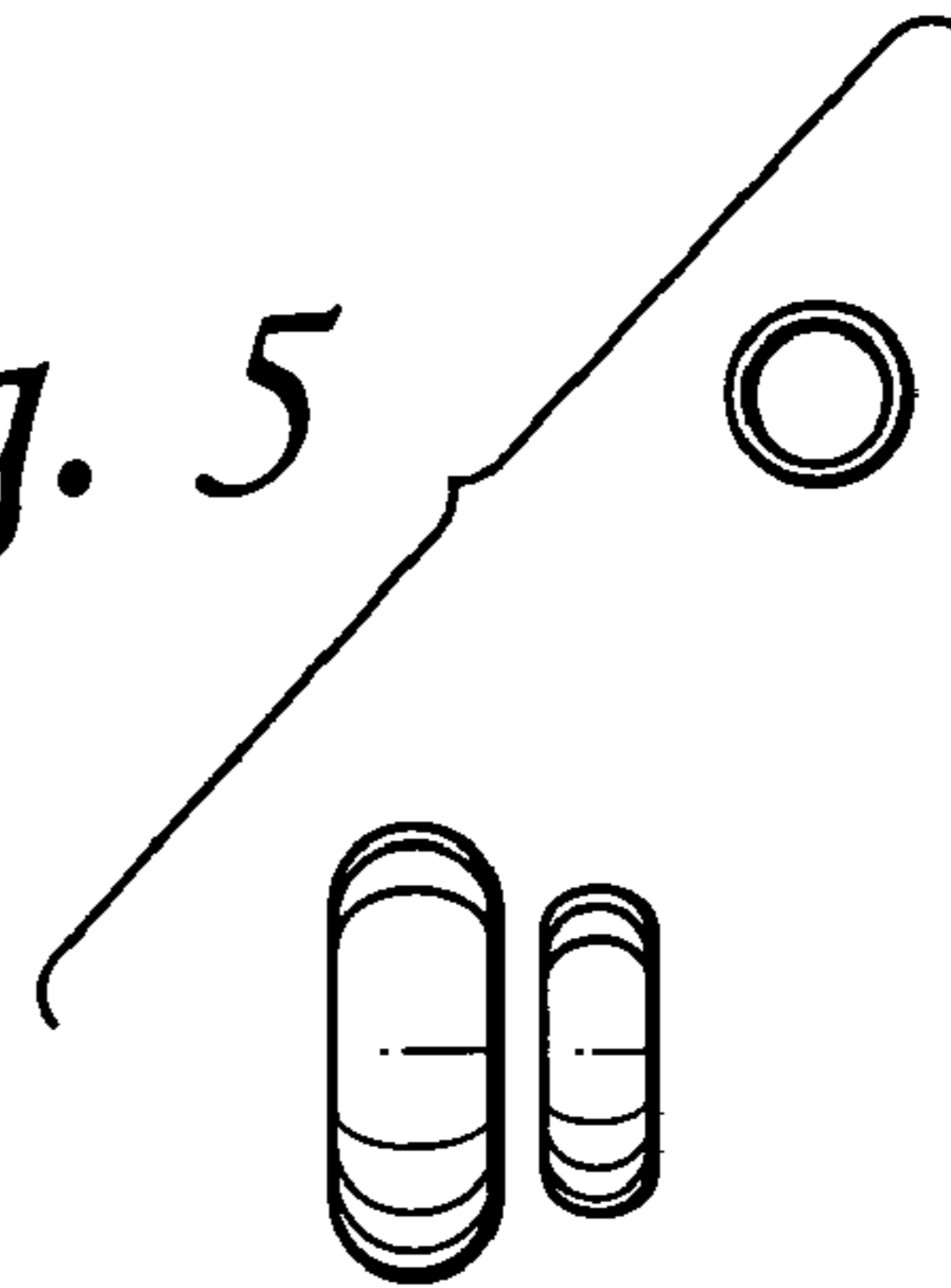


Fig. 6

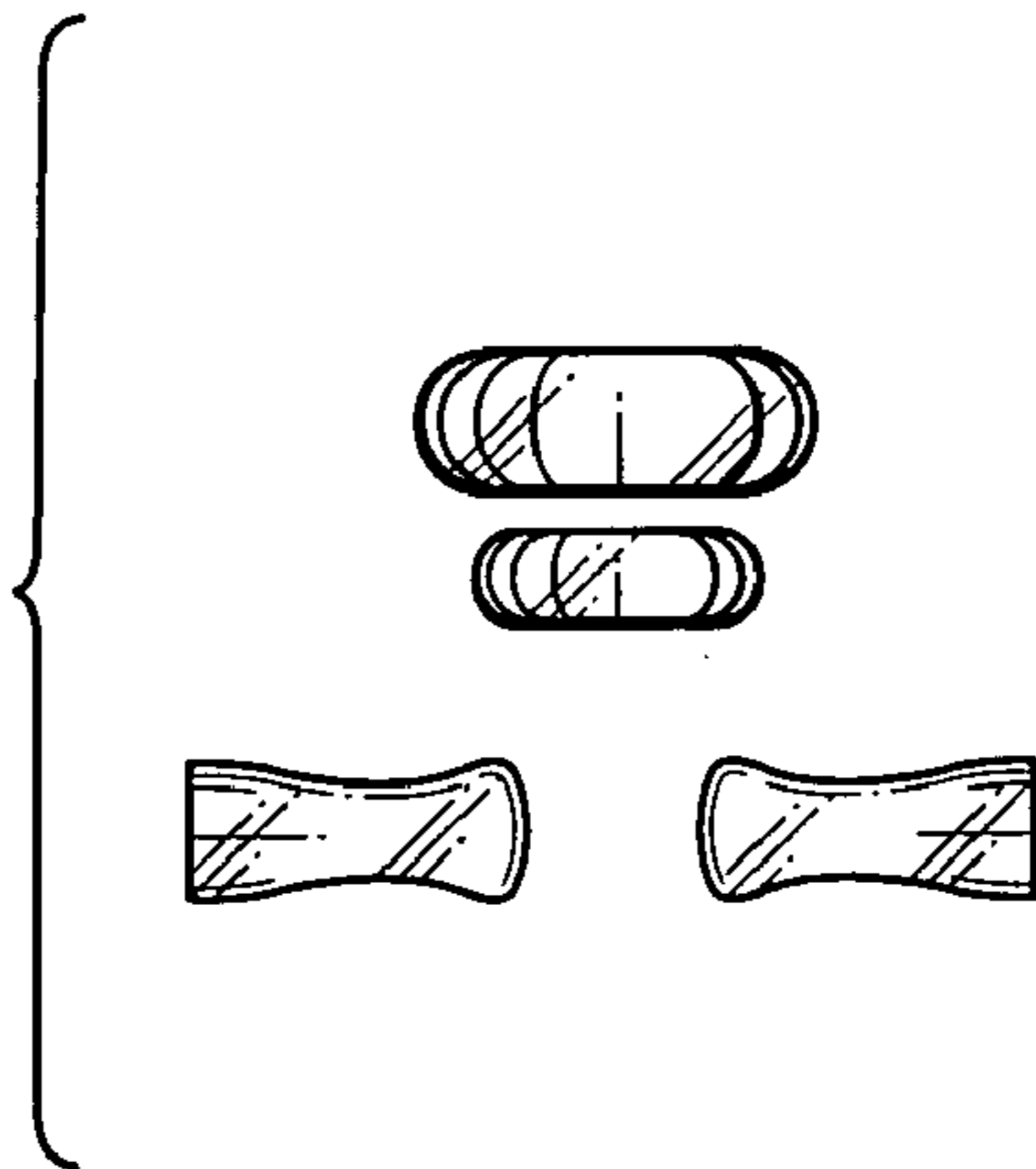


Fig. 7

