



US00D614300S

(12) **United States Design Patent**
Baker et al.

(10) **Patent No.:** **US D614,300 S**
(45) **Date of Patent:** **** Apr. 20, 2010**

(54) **STETHOSCOPE CLIP**

(75) Inventors: **Jeff Baker**, Orlando, FL (US); **Seth Freytag**, Windermere, FL (US); **Mark Bunker**, Orlando, FL (US)

(73) Assignee: **Noble Marketing, Inc.**, Orlando, FL (US)

(**) Term: **14 Years**

(21) Appl. No.: **29/306,058**

(22) Filed: **Apr. 1, 2008**

(51) **LOC (9) Cl.** **24-01**

(52) **U.S. Cl.** **D24/134**

(58) **Field of Classification Search** D24/134,
D24/128, 127; D6/567; D8/367; 181/131,
181/137; 224/269, 231, 230, 268; 248/300,
248/301, 304, 308; D3/203

See application file for complete search history.

(56) **References Cited**

U.S. PATENT DOCUMENTS

D229,514	S	*	12/1973	Einhorn	D24/134
3,797,717	A	*	3/1974	Collins	224/231
5,171,087	A	*	12/1992	Green	362/641
D339,058	S	*	9/1993	Greenhut et al.	D8/367
5,692,657	A	*	12/1997	Kilo et al.	224/269
D407,252	S	*	3/1999	Hampshire	D6/540

D425,353	S	*	5/2000	Foy	D6/567
D442,001	S	*	5/2001	Loveless	D6/553
D445,185	S	*	7/2001	Najmi	D24/134
6,443,343	B2	*	9/2002	Kamiya	224/269
6,484,918	B1	*	11/2002	Lefebvre	224/670
D532,639	S	*	11/2006	Snell	D6/567
D585,224	S	*	1/2009	Hwang	D6/553

* cited by examiner

Primary Examiner—Ian Simmons

Assistant Examiner—Charles D Hanson

(74) *Attorney, Agent, or Firm*—Timothy H. Van Dyke;
Beusse Wolter Sanks Mora & Maire

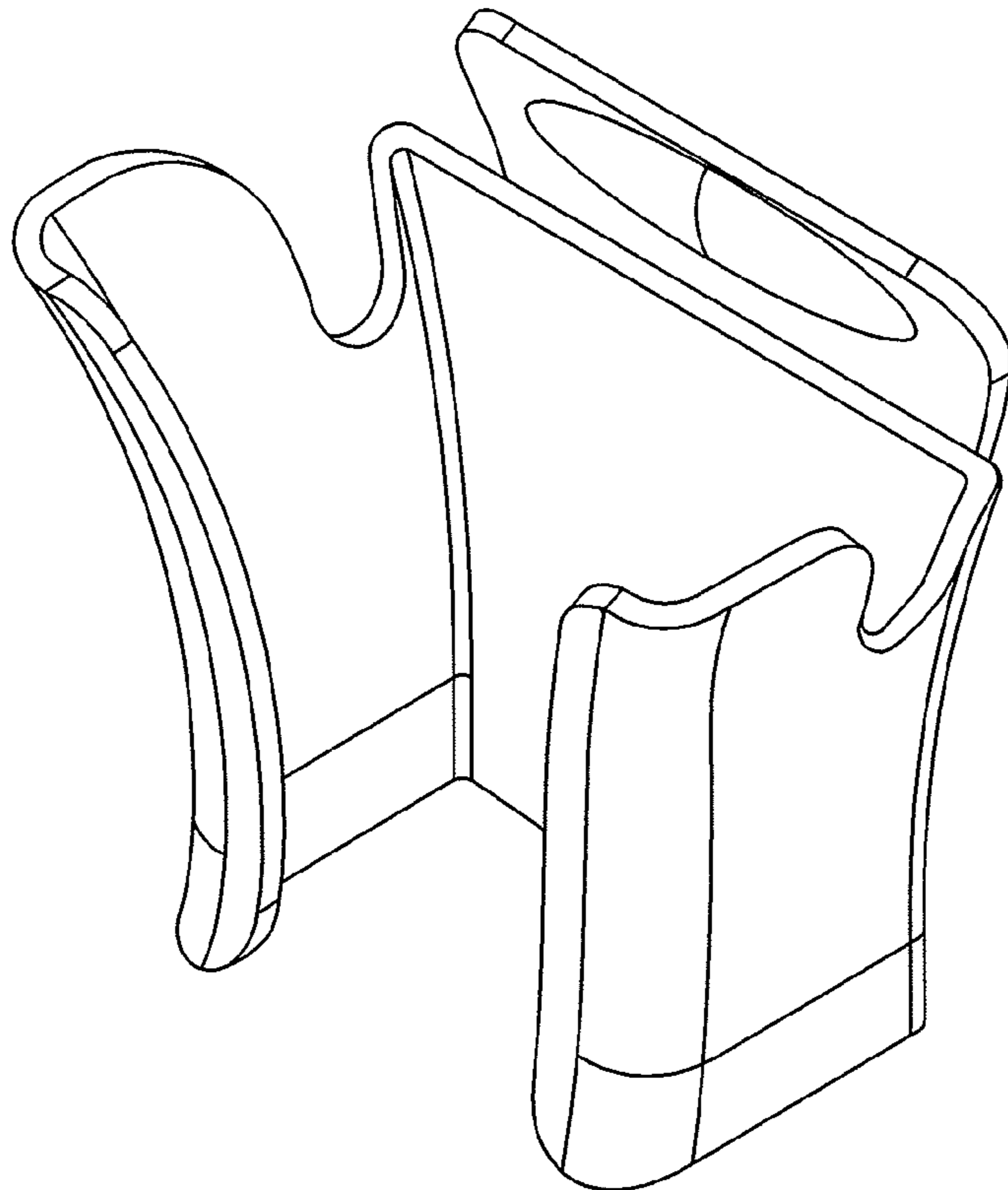
(57) **CLAIM**

The ornamental design for a stethoscope clip, as shown and described.

DESCRIPTION

FIG. 1 is a back elevational view of the stethoscope clip;
FIG. 2 is a front elevational view of the stethoscope clip;
FIG. 3 is a side elevational view of the stethoscope clip, the
opposing side is mirror image of the side view shown;
FIG. 4 is a bottom view of the stethoscope clip;
FIG. 5 is a top view of the stethoscope clip; and,
FIG. 6 is perspective view of the stethoscope clip.

1 Claim, 2 Drawing Sheets



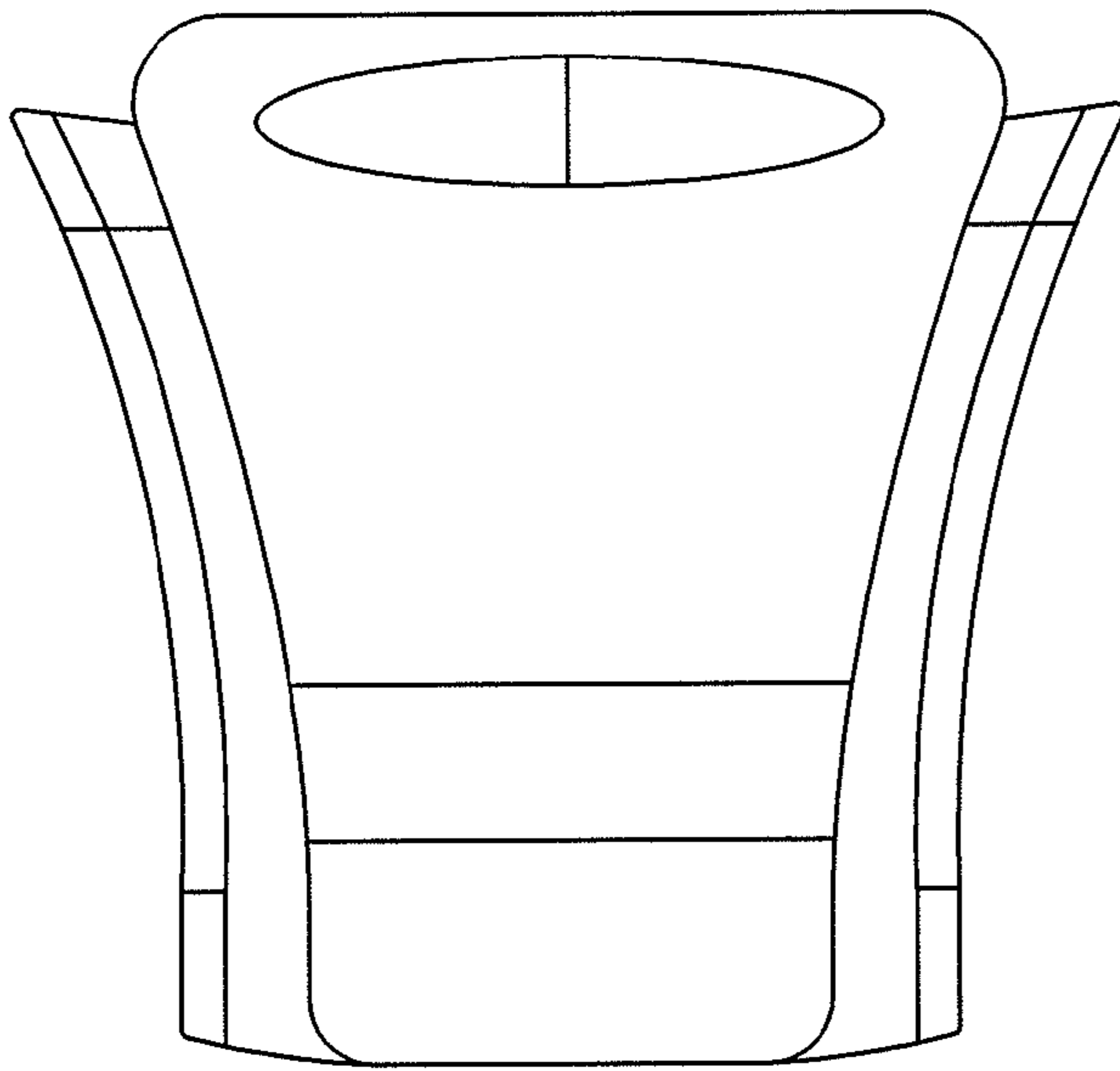


FIG. 1

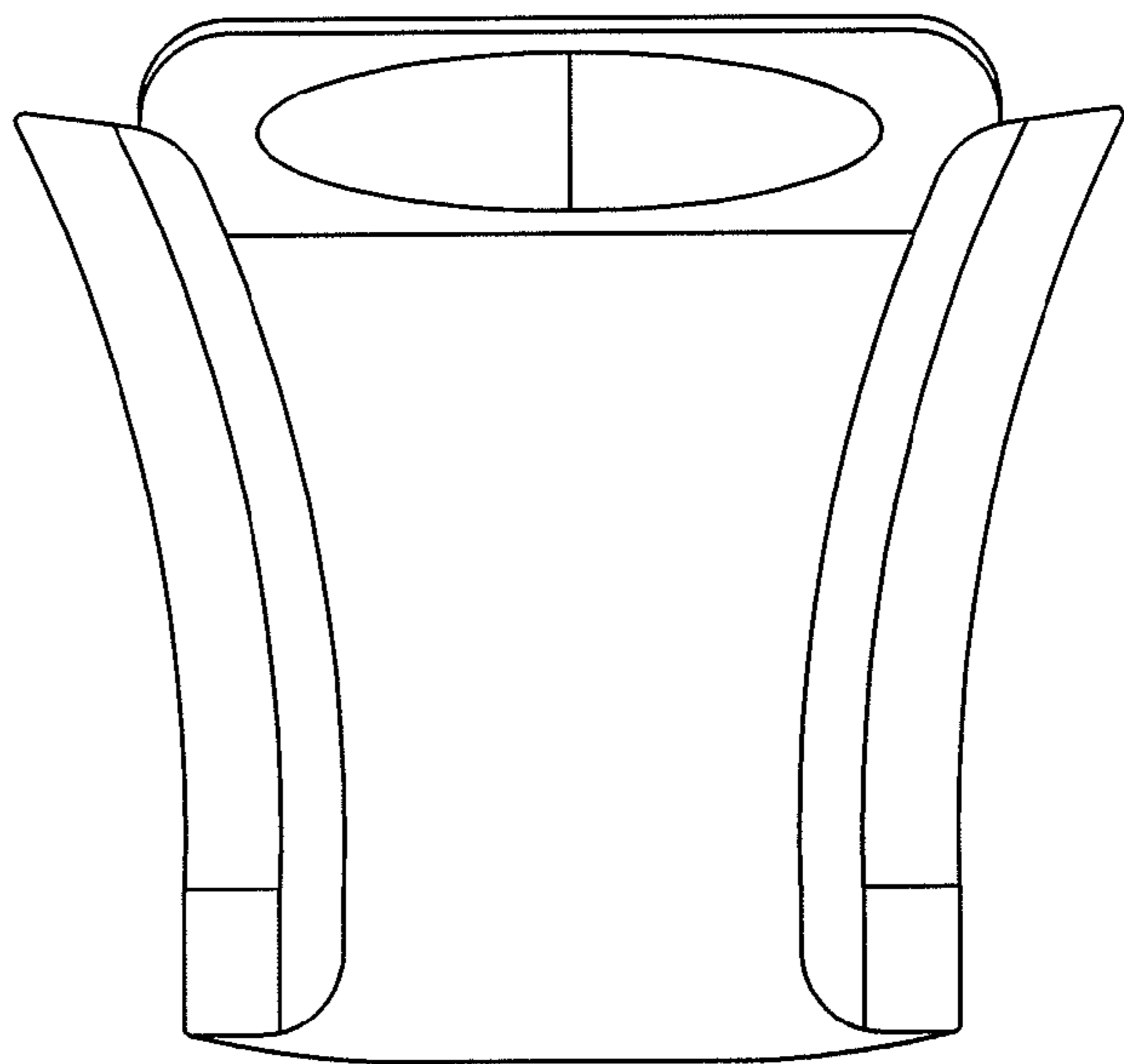


FIG. 2

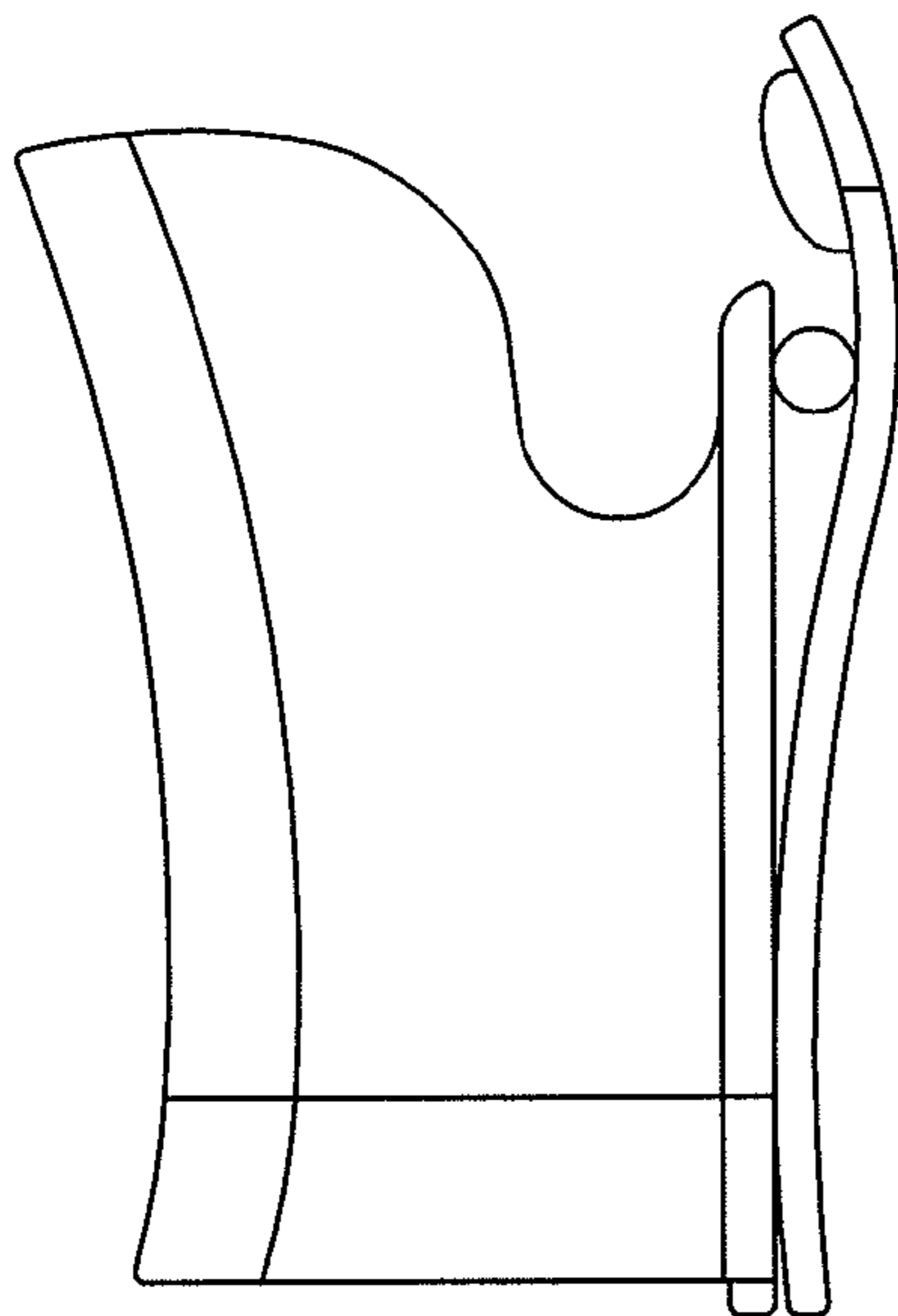


FIG. 3

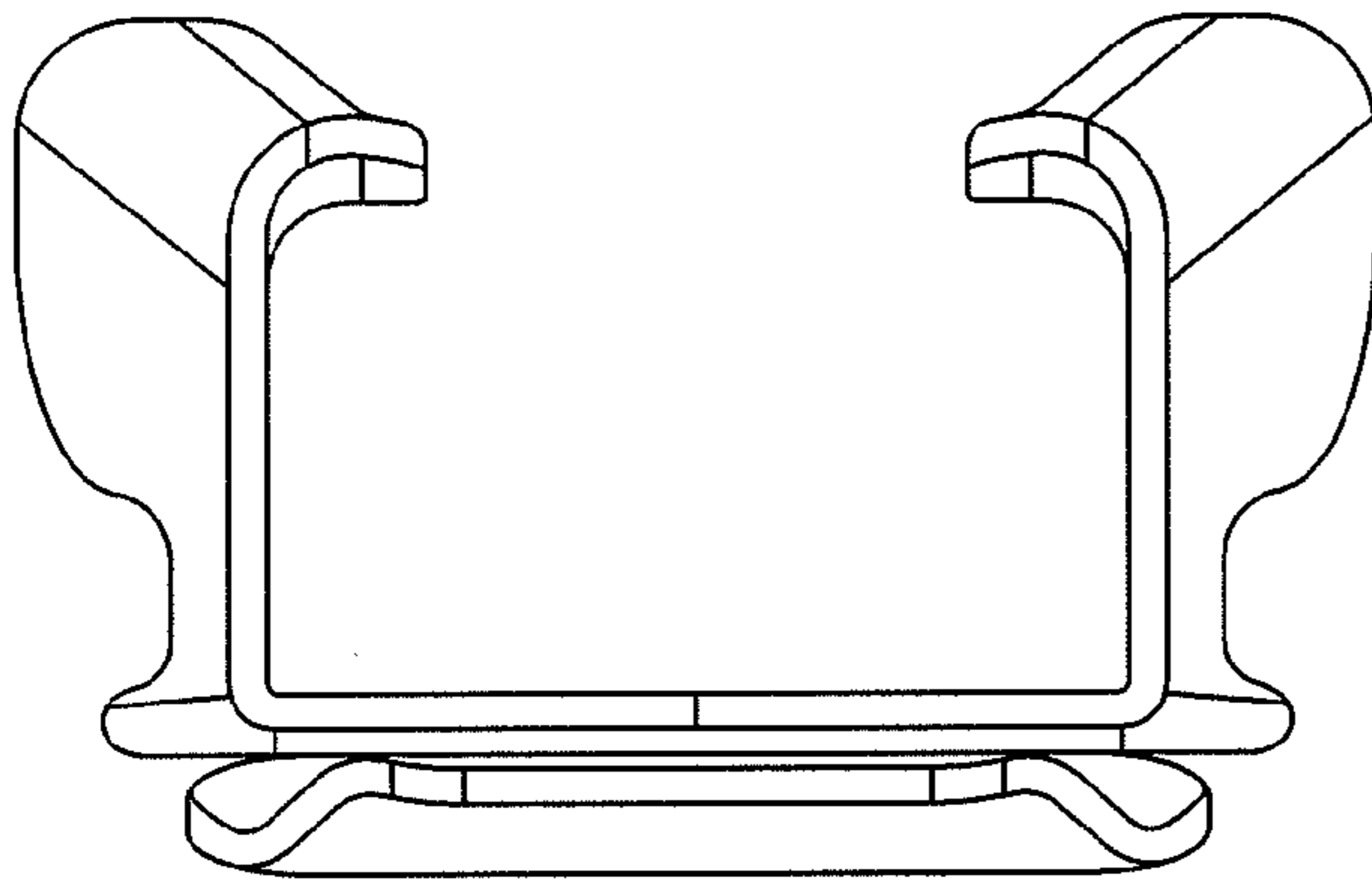


FIG. 4

FIG. 5

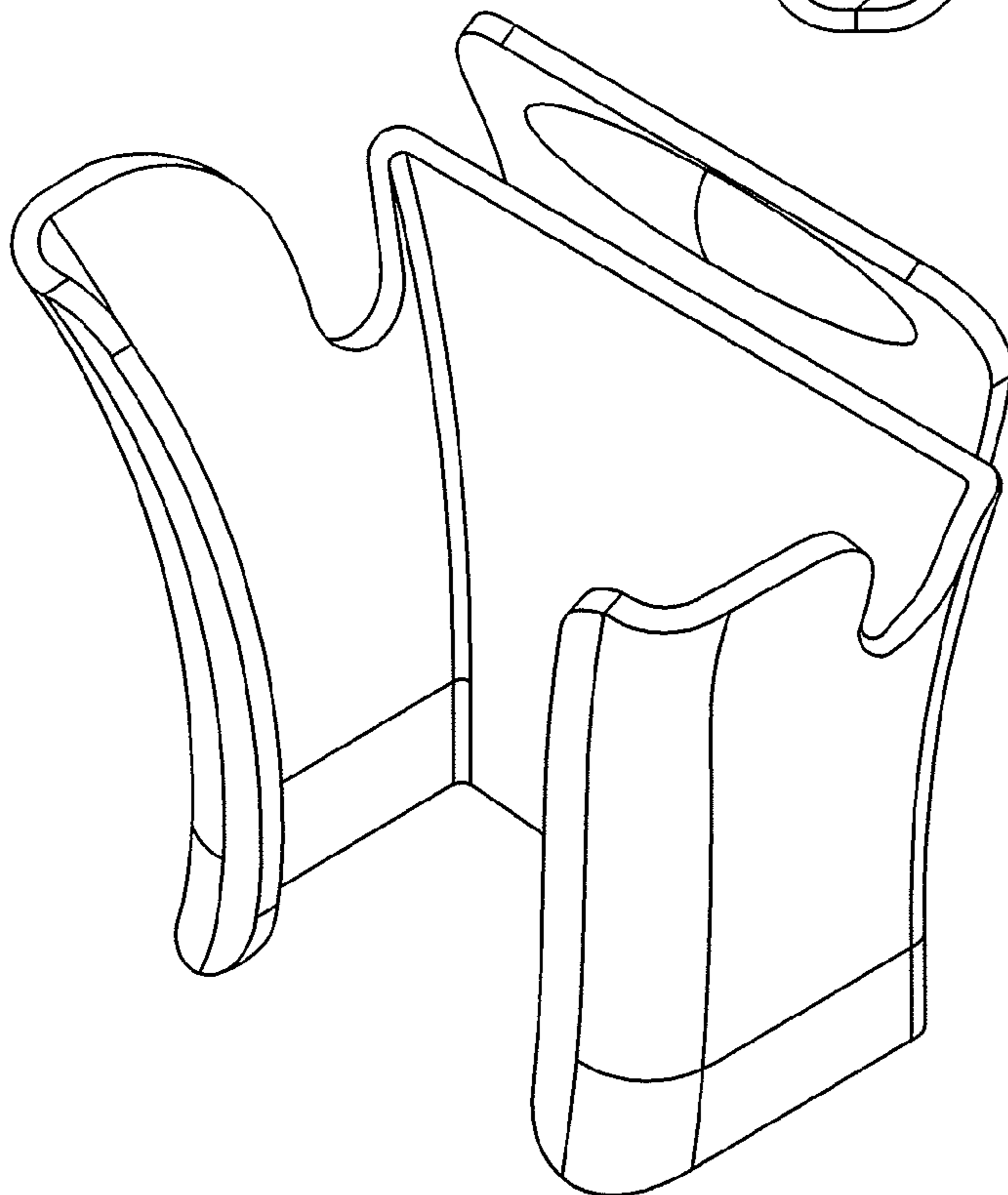
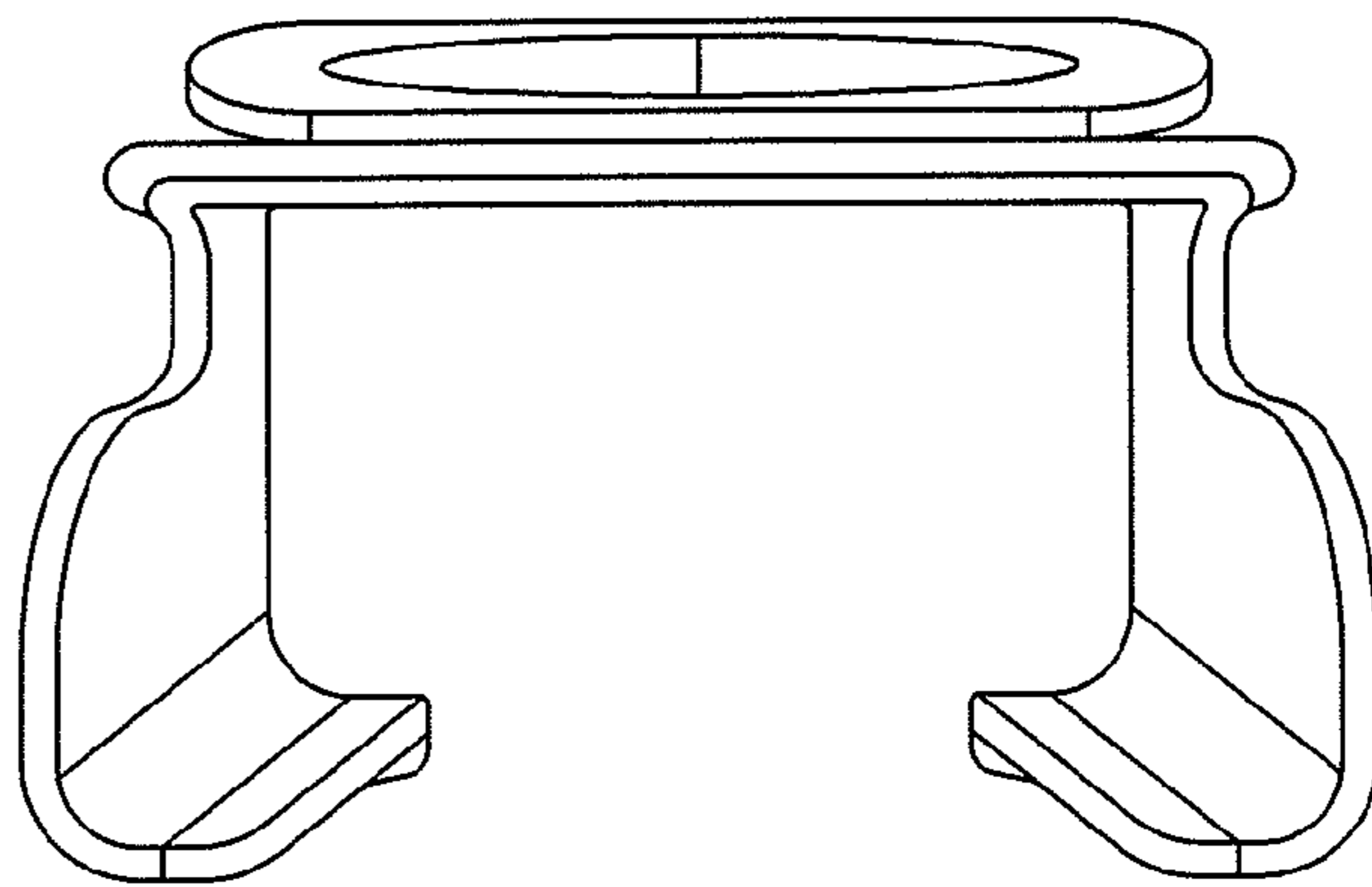


FIG. 6