



US00D614297S

(12) **United States Design Patent**  
**Criscuolo et al.**

(10) **Patent No.:** **US D614,297 S**  
(45) **Date of Patent:** **\*\* Apr. 20, 2010**

- (54) **SURGICAL INSTRUMENT**
- (75) Inventors: **Christopher J. Criscuolo**, Branford, CT (US); **Brian J. Creston**, Milford, CT (US); **Marco Bogazzi**, Carlstadt, NJ (US); **Alyssa Dassa**, Gorham, ME (US)
- (73) Assignee: **Tyco Healthcare Group LP**, North Haven, CT (US)
- (\*\*) Term: **14 Years**
- (21) Appl. No.: **29/289,235**
- (22) Filed: **Jul. 12, 2007**

**Related U.S. Application Data**

- (60) Division of application No. 29/265,447, filed on Aug. 30, 2006, now Pat. No. Des. 549,330, which is a continuation of application No. 29/191,352, filed on Oct. 6, 2003, now abandoned.

- (51) **LOC (9) Cl.** ..... **24-02**
- (52) **U.S. Cl.** ..... **D24/133; D24/146**
- (58) **Field of Classification Search** ..... D24/133, D24/143, 145, 146, 147; 606/1, 190, 191, 606/192, 185, 148, 232; 604/96.01, 167.06, 604/164.01, 165, 158; 600/207  
See application file for complete search history.

(56) **References Cited**

**U.S. PATENT DOCUMENTS**

5,152,754	A	10/1992	Plyley et al.	
5,188,630	A *	2/1993	Christoudias	606/1
5,215,526	A *	6/1993	Deniega et al.	604/164.09
5,246,425	A	9/1993	Hunsberger et al.	
5,324,270	A	6/1994	Kayan et al.	
D349,574	S	8/1994	Metcalf et al.	
5,391,178	A	2/1995	Yapor	
5,403,336	A	4/1995	Kieturakis et al.	
D359,801	S *	6/1995	Boykin et al.	D24/112
5,468,248	A *	11/1995	Chin et al.	606/192
5,496,345	A	3/1996	Kieturakis et al.	
5,601,589	A	2/1997	Fogarty et al.	

5,607,441	A *	3/1997	Sierocuk et al.	606/190
5,702,416	A	12/1997	Kieturakis et al.	
5,707,382	A *	1/1998	Sierocuk et al.	606/190
5,772,680	A *	6/1998	Kieturakis et al.	606/190
5,779,728	A *	7/1998	Lunsford et al.	606/190
5,803,901	A *	9/1998	Chin et al.	600/190
5,836,961	A	11/1998	Kieturakis et al.	
5,925,058	A *	7/1999	Smith et al.	606/190
6,168,608	B1	1/2001	Echeverry et al.	
6,361,543	B1 *	3/2002	Chin et al.	606/190
6,368,337	B1	4/2002	Kieturakis et al.	
6,497,687	B1	12/2002	Blanco	
6,514,272	B1	2/2003	Kieturakis et al.	
D495,053	S	8/2004	Laun	
D549,330	S *	8/2007	Criscuolo et al.	D24/133
D552,733	S *	10/2007	Criscuolo et al.	D24/146
7,300,448	B2 *	11/2007	Criscuolo et al.	606/190
2003/0236544	A1 *	12/2003	Lunsford et al.	606/190
2004/0230218	A1 *	11/2004	Criscuolo et al.	606/190
2005/0113856	A1 *	5/2005	Epstein et al.	606/192
2006/0079922	A1 *	4/2006	Creston	606/192
2008/0097506	A1 *	4/2008	Criscuolo et al.	606/190

\* cited by examiner

*Primary Examiner*—Ian Simmons  
*Assistant Examiner*—Mark A Goodwin

(57) **CLAIM**

We claim the ornamental design for a surgical instrument, as shown.

**DESCRIPTION**

FIG. 1 is a perspective view of a surgical instrument showing our new design;

FIG. 2 is a left side elevational view thereof;

FIG. 3 is a top plan view thereof;

FIG. 4 is a right side elevational view thereof;

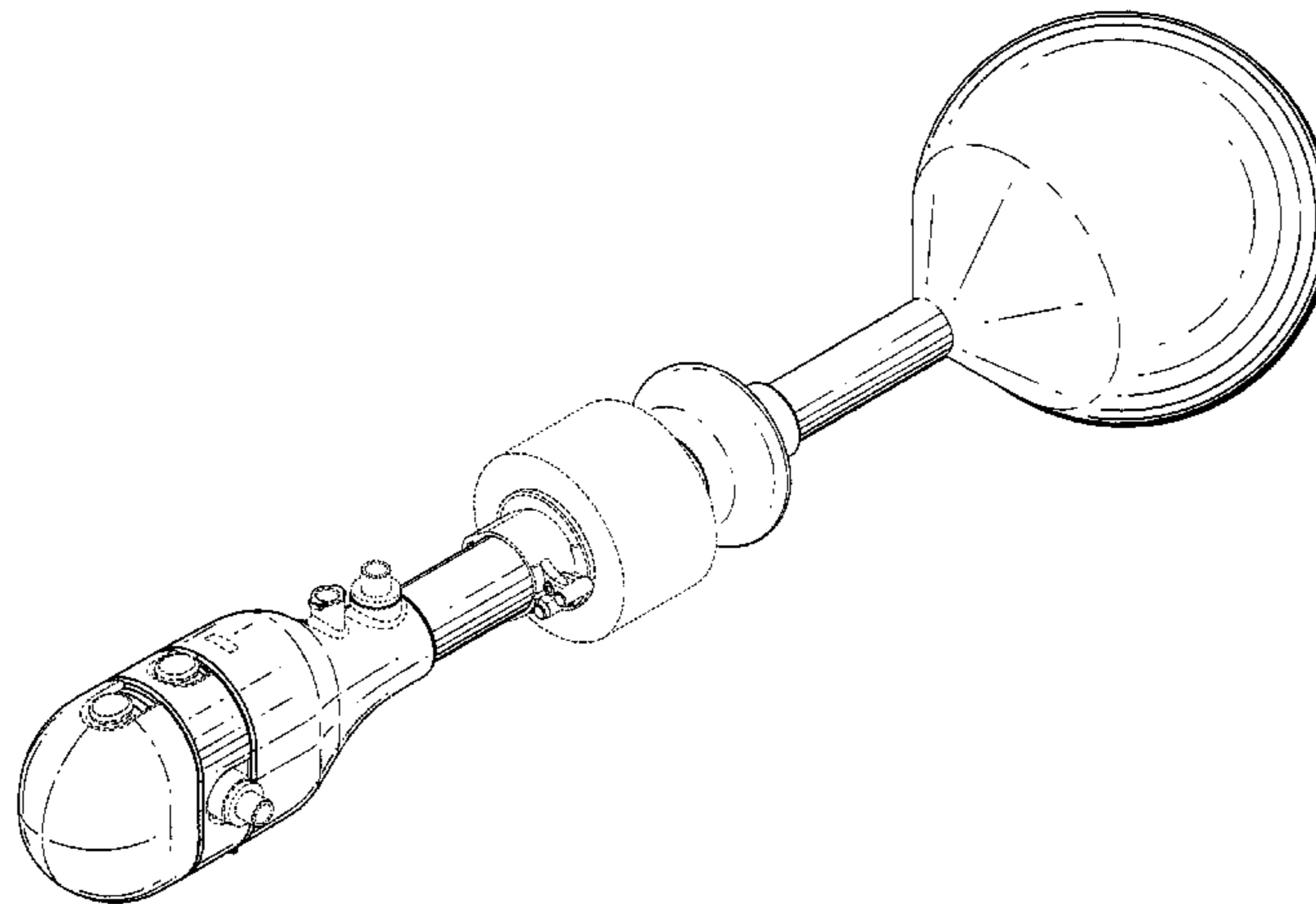
FIG. 5 is a bottom plan view thereof;

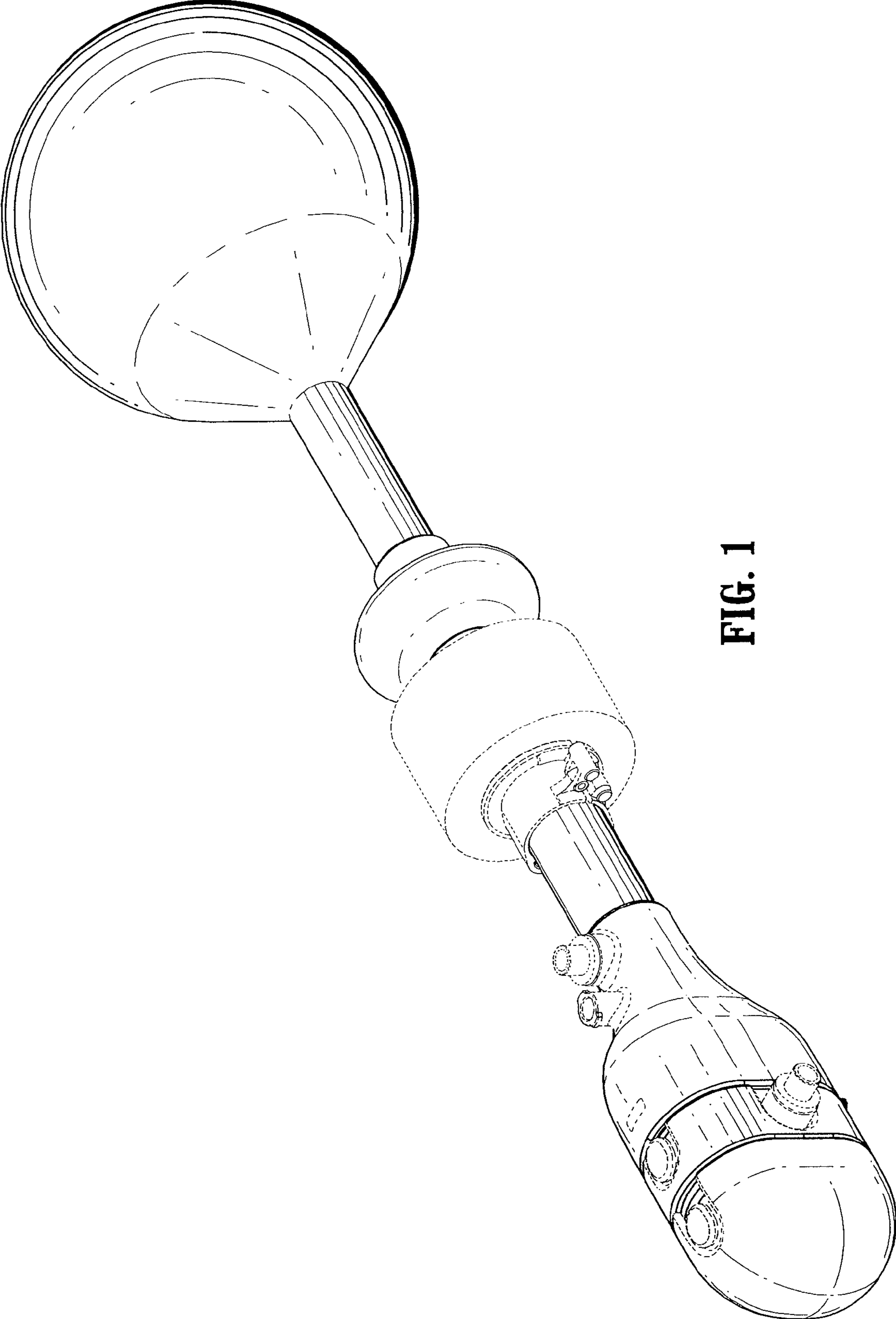
FIG. 6 is a rear elevational view thereof; and,

FIG. 7 is a front elevational view thereof.

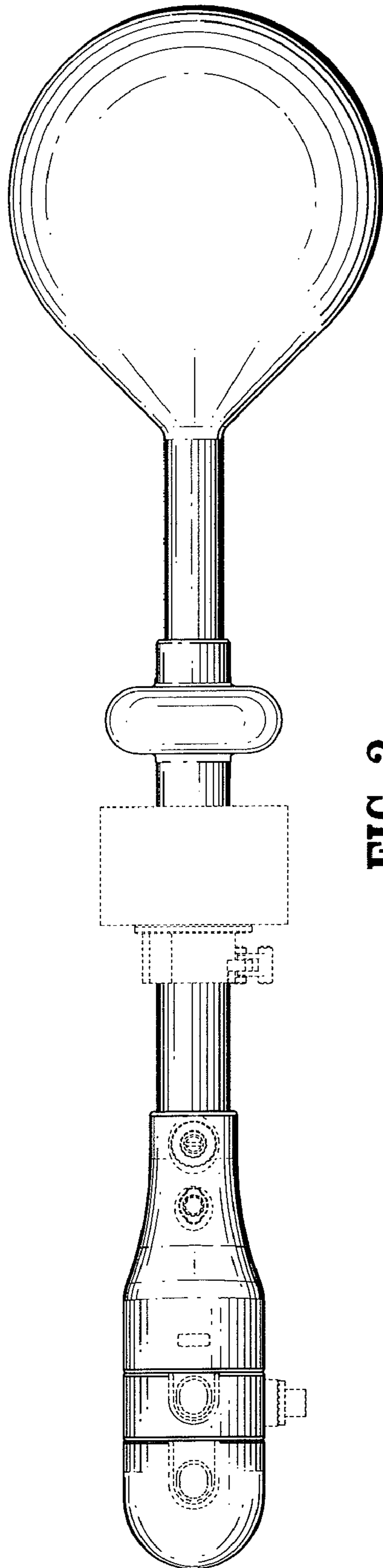
The broken lines show in FIGS. 1–7 are for illustrative purposes only and form no part of the claimed design.

**1 Claim, 4 Drawing Sheets**

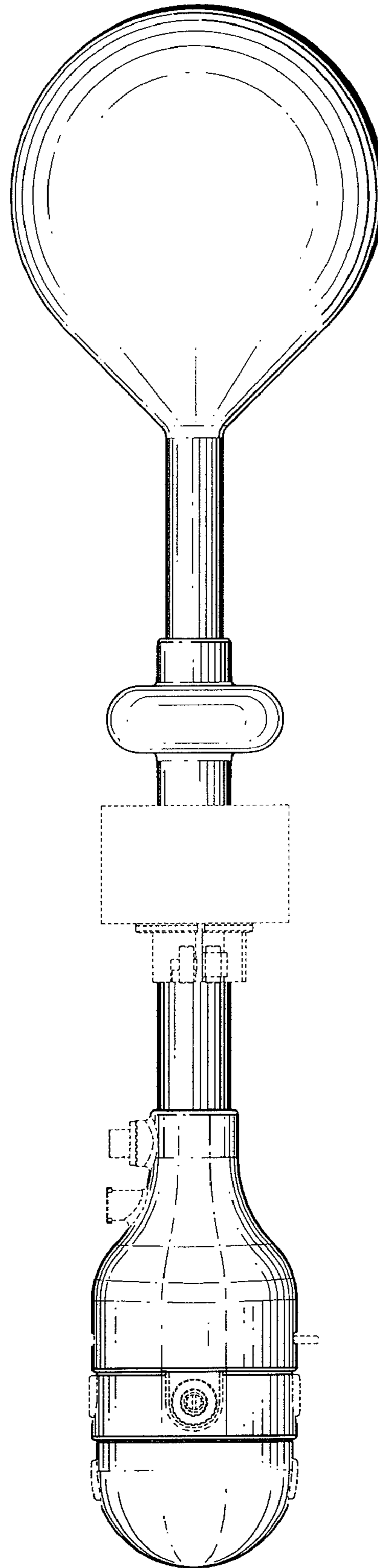




**FIG. 1**



**FIG. 2**



**FIG. 3**

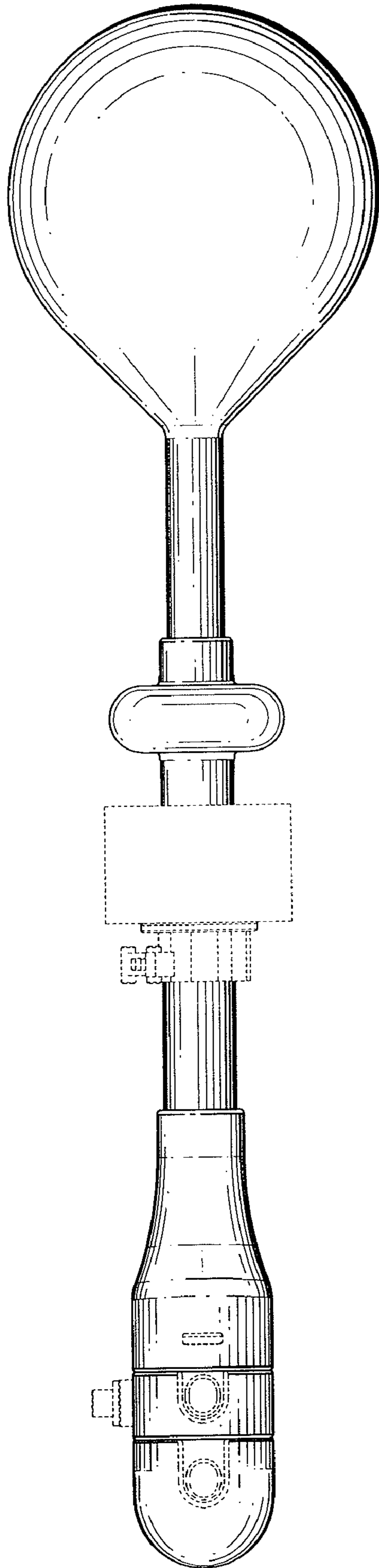


FIG. 4

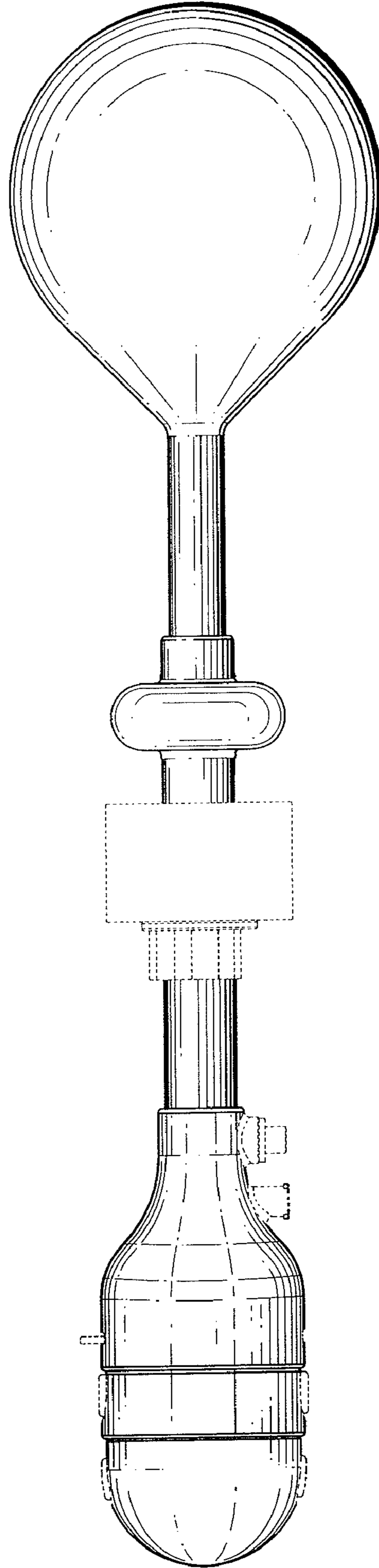


FIG. 5

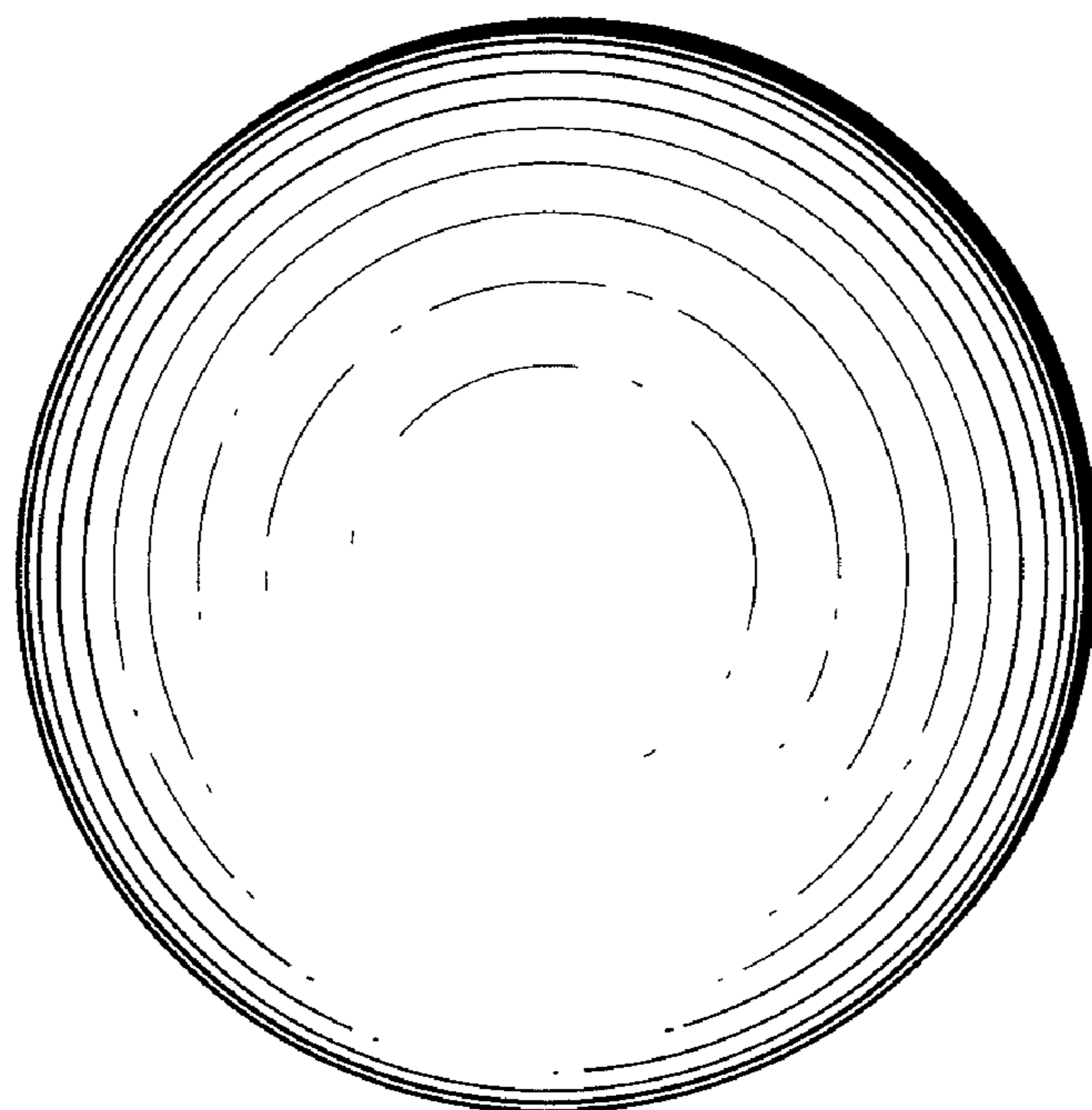


FIG. 7

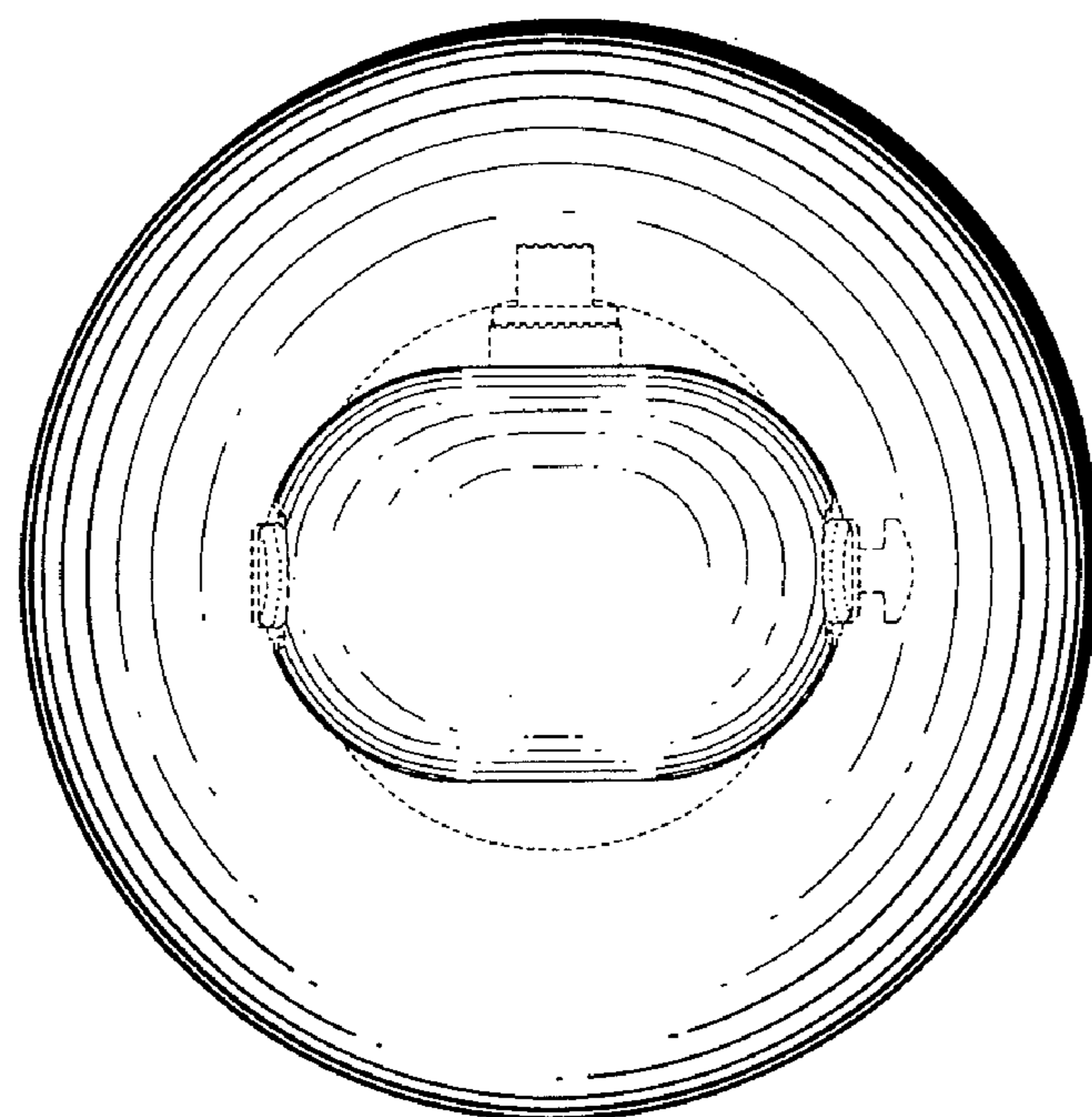


FIG. 6