

US00D614296S

(12) **United States Design Patent**
Young

(10) **Patent No.:** **US D614,296 S**
(45) **Date of Patent:** **** Apr. 20, 2010**

(54) **NEEDLE HUB**
(75) Inventor: **Christopher S. Young**, South Kent, CT (US)
(73) Assignee: **ISPG, Inc.**, New Milford, CT (US)
(**) Term: **14 Years**
(21) Appl. No.: **29/324,375**
(22) Filed: **Sep. 11, 2008**

6,213,978 B1 * 4/2001 Voyten 604/164.01
6,475,190 B2 * 11/2002 Young 604/164.07
6,554,809 B2 * 4/2003 Aves 604/272
7,101,353 B2 * 9/2006 Lui et al. 604/167.06
D573,256 S * 7/2008 Mauch D24/130
D576,276 S * 9/2008 Osypka D24/130
2005/0245874 A1 * 11/2005 Carrez et al. 604/160
2007/0060889 A1 * 3/2007 Adams 604/164.01
2008/0262430 A1 * 10/2008 Anderson et al. 604/164.1
2009/0192463 A1 * 7/2009 Nardeo et al. 604/164.01
2009/0318867 A1 * 12/2009 Amisar et al. 604/164.05

(51) **LOC (9) Cl.** **24-02**
(52) **U.S. Cl.** **D24/130**
(58) **Field of Classification Search** D24/107,
D24/108, 112, 113, 114, 127, 129, 130, 133,
D24/144; 604/110, 111, 198, 164.01, 164.03,
604/164.04, 164.05, 164.07, 164.11, 165.03,
604/174, 177

FOREIGN PATENT DOCUMENTS

GB 2074620 * 5/1998
GB 2088915 * 7/1999

See application file for complete search history.

* cited by examiner

Primary Examiner—Elizabeth A Albert
Assistant Examiner—Karen E Eldridge Powers
(74) *Attorney, Agent, or Firm*—Carmody & Torrance LLP

(56) **References Cited**

(57) **CLAIM**

U.S. PATENT DOCUMENTS

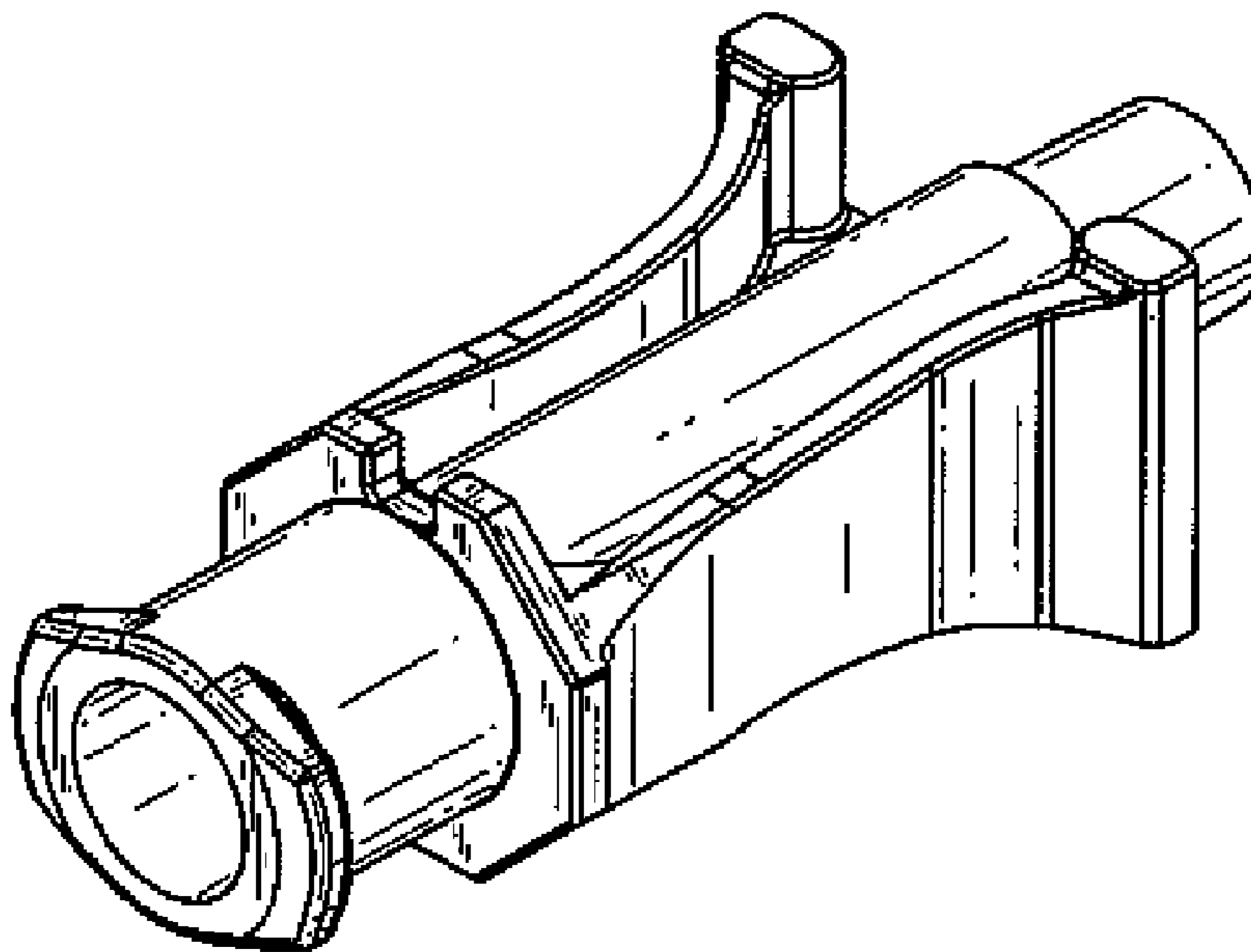
The ornamental design for a needle hub, as shown and described.

2,540,445 A * 2/1951 Harley 604/88
D165,591 S * 1/1952 Lee D24/112
4,123,091 A * 10/1978 Cosentino et al. 285/39
D288,005 S * 1/1987 Glash et al. D24/130
D313,277 S * 12/1990 Haining D24/129
5,098,389 A * 3/1992 Cappucci 604/158
D326,155 S * 5/1992 Boehringer et al. D24/129
5,571,091 A * 11/1996 Davis et al. 604/164.11
5,582,595 A * 12/1996 Haber et al. 604/187
D378,130 S * 2/1997 Schmidt D24/129
D380,045 S * 6/1997 Sullivan D24/130
5,743,882 A * 4/1998 Luther 604/164.05
D401,689 S * 11/1998 Sullivan D24/130
5,951,518 A * 9/1999 Licata et al. 604/161
D425,198 S * 5/2000 Porta D24/130
D428,141 S * 7/2000 Brotspies et al. D24/114

DESCRIPTION

FIG. 1 is a perspective view of a needle hub showing my new design;
FIG. 2 is a front elevational view of FIG. 1;
FIG. 3 is a back elevational view of FIG. 1;
FIG. 4 is a right side elevational view of FIG. 1;
FIG. 5 is a left side elevational view of FIG. 1;
FIG. 6 is a top plan view of FIG. 1; and,
FIG. 7 is a bottom plan view of FIG. 1.

1 Claim, 1 Drawing Sheet



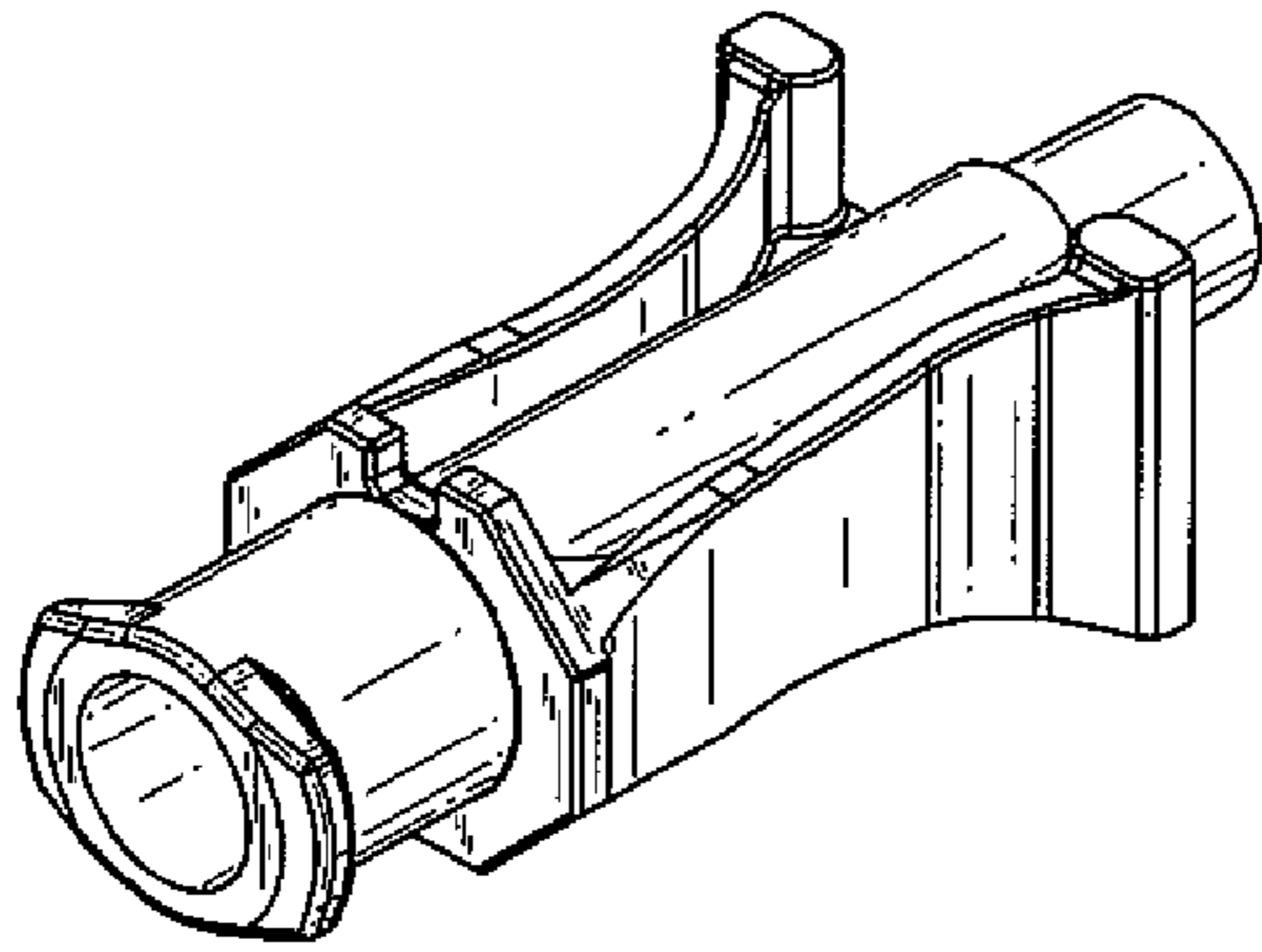


FIG. 1

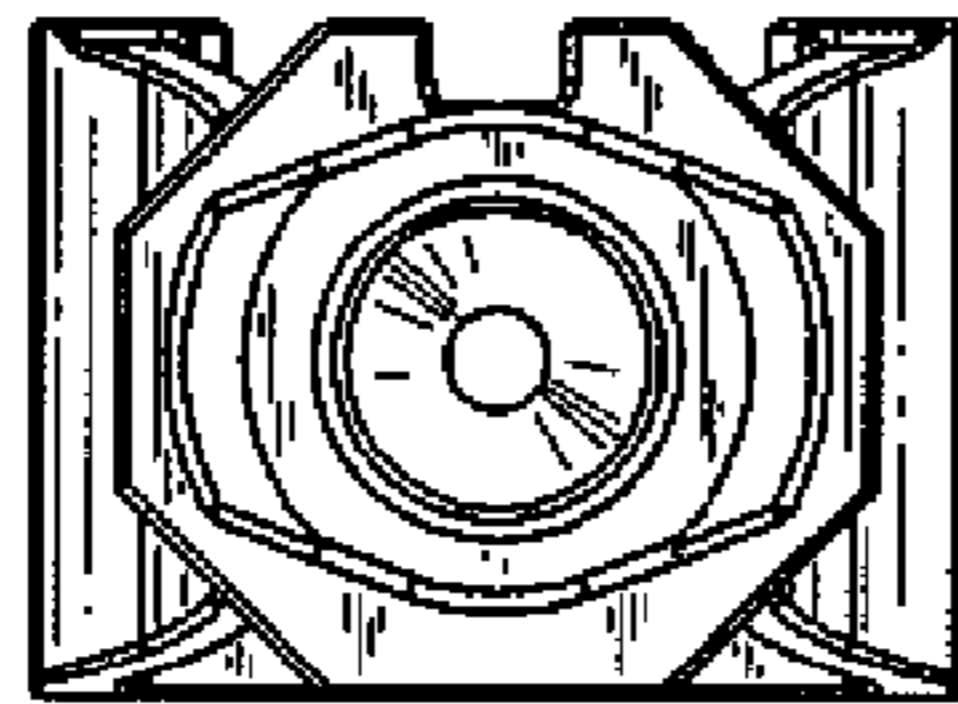


FIG. 2

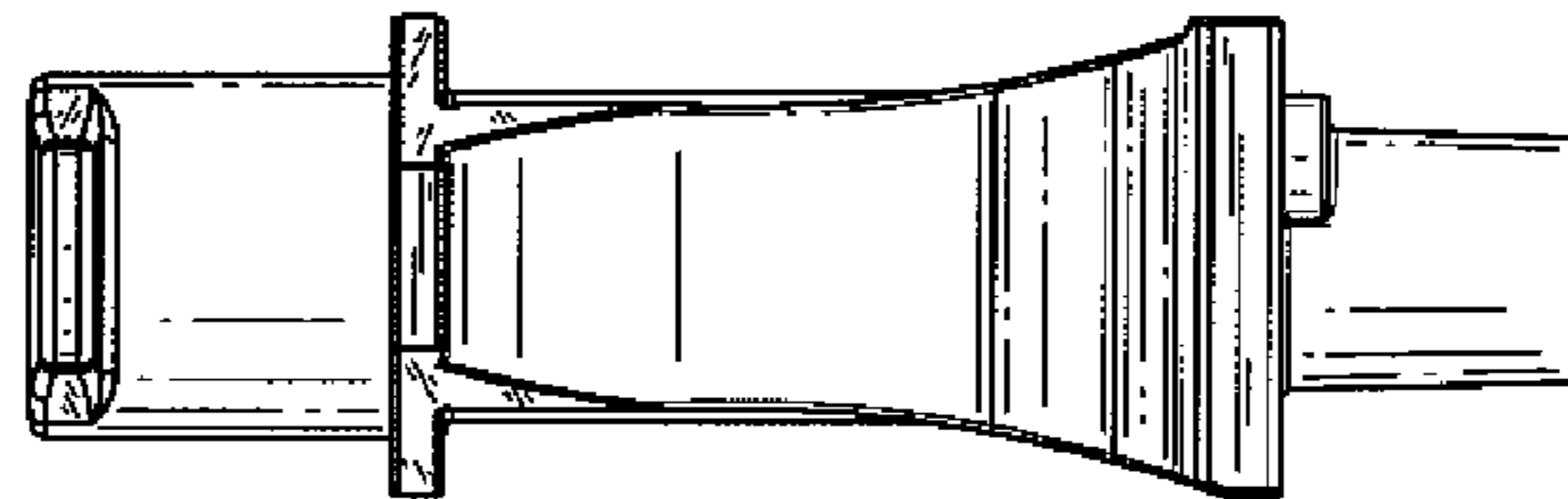


FIG. 4

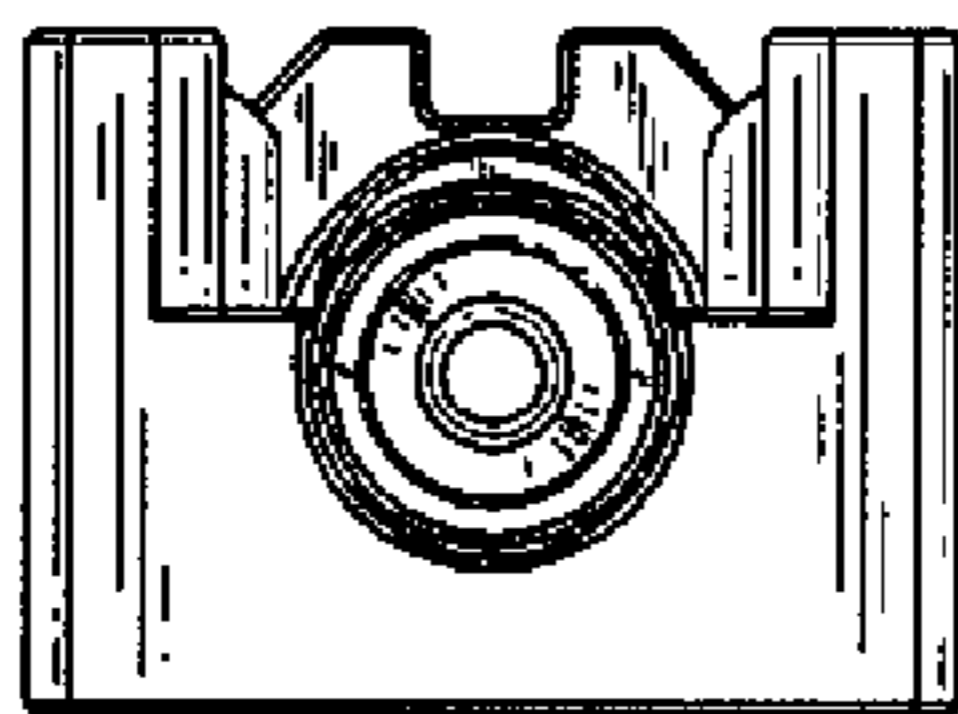


FIG. 3

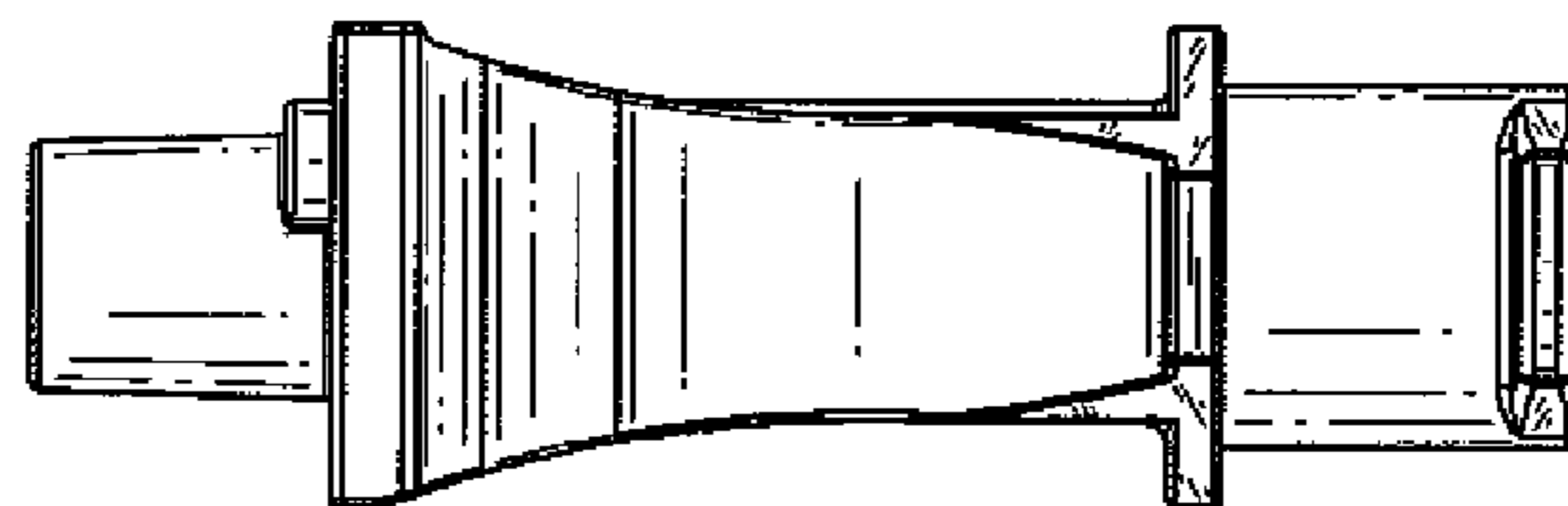


FIG. 5

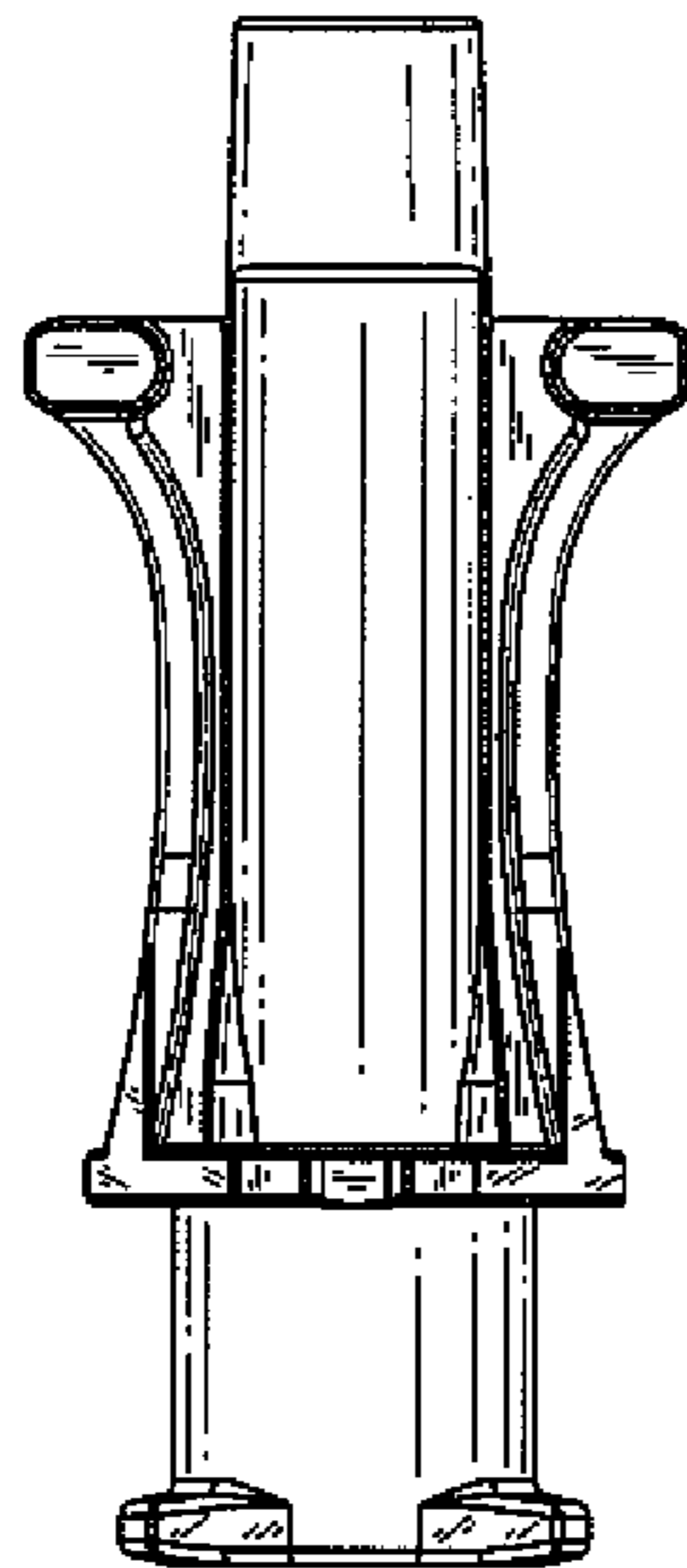


FIG. 6

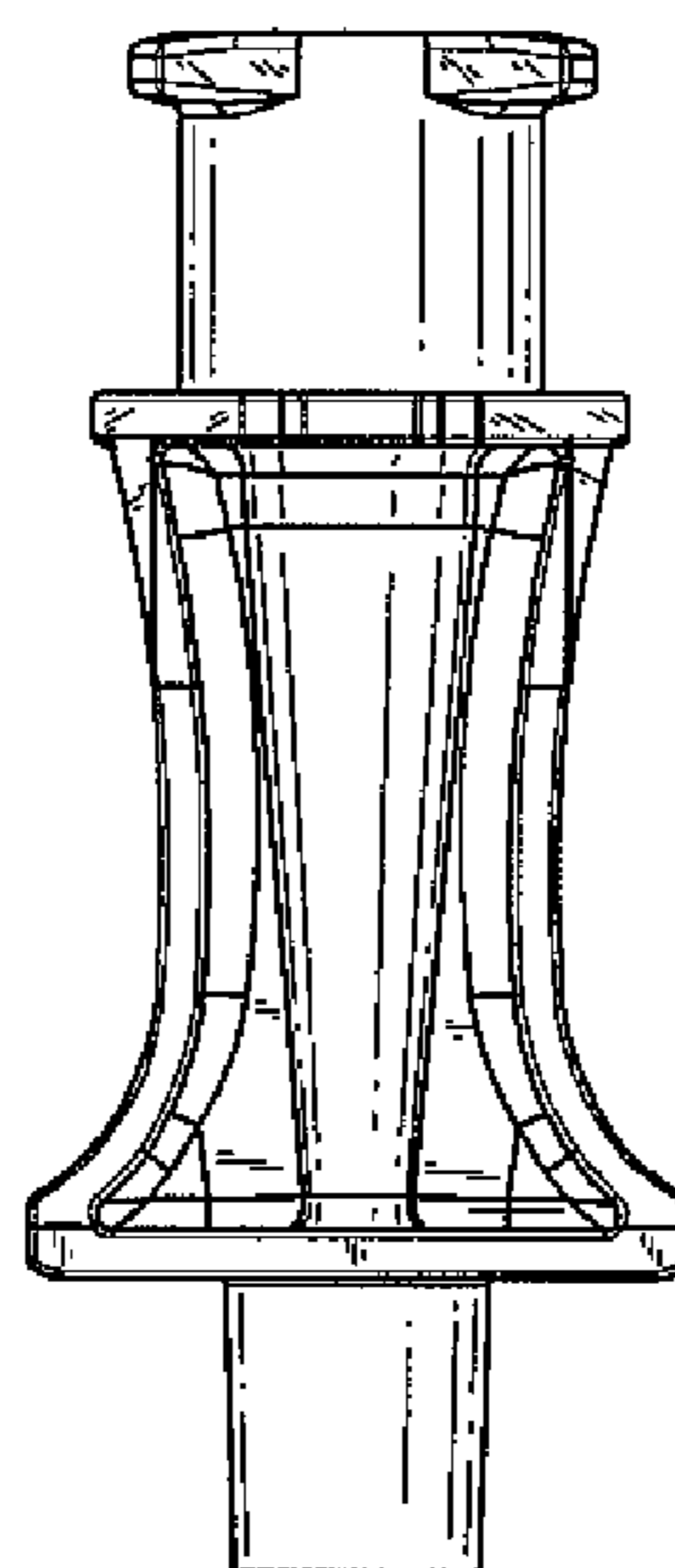


FIG. 7