



US00D614292S

(12) **United States Design Patent**  
**Anderson**

(10) **Patent No.:** **US D614,292 S**

(45) **Date of Patent:** **\*\* Apr. 20, 2010**

(54) **CULTURE SWAB**

(76) Inventor: **Mark L. Anderson**, 303 S. McKay Ave.,  
Spring Valley, WI (US) 54767

(\*\*) Term: **14 Years**

(21) Appl. No.: **29/331,554**

(22) Filed: **Jan. 28, 2009**

**Related U.S. Application Data**

(62) Division of application No. 29/263,602, filed on Jul.  
26, 2006, now Pat. No. Des. 585,998.

(51) **LOC (9) Cl.** ..... **24-02**

(52) **U.S. Cl.** ..... **D24/119**

(58) **Field of Classification Search** ..... D24/216,  
D24/108, 119, 121; 422/56, 58, 61, 63-64,  
422/99, 102, 104  
See application file for complete search history.

(56) **References Cited**

**U.S. PATENT DOCUMENTS**

2,546,761	A *	3/1951	Loftus	.....	600/7
4,600,008	A *	7/1986	Schmidt	.....	606/162
D286,438	S *	10/1986	Lichtman et al.	.....	D24/133
4,707,450	A *	11/1987	Nason	.....	600/572
4,770,853	A *	9/1988	Bernstein	.....	422/58
D302,338	S *	7/1989	Philippi	.....	D24/119
4,978,504	A *	12/1990	Nason	.....	422/61
D388,519	S *	12/1997	Skiffington et al.	.....	D24/223
D421,302	S *	2/2000	Korteweg	.....	D24/119

D470,240	S *	2/2003	Niedbala et al.	.....	D24/216
D490,532	S *	5/2004	Van Damme	.....	D24/232
D545,430	S *	6/2007	Tsaur	.....	D24/119
D585,998	S *	2/2009	Anderson	.....	D24/216
D588,797	S *	3/2009	Tanghoej et al.	.....	D3/203.1
D596,740	S *	7/2009	Poynter	.....	D24/115
D602,168	S *	10/2009	Hermansson et al.	.....	D24/232
2005/0288606	A1 *	12/2005	Alter	.....	600/572

\* cited by examiner

*Primary Examiner*—Elizabeth A Albert

*Assistant Examiner*—Kelley A Donnelly

(74) *Attorney, Agent, or Firm*—Skinner and Associates

(57) **CLAIM**

The ornamental design for a culture swab, as shown and described.

**DESCRIPTION**

FIG. 1 is a perspective view of a culture swab of the design;

FIG. 2 is a side view thereof;

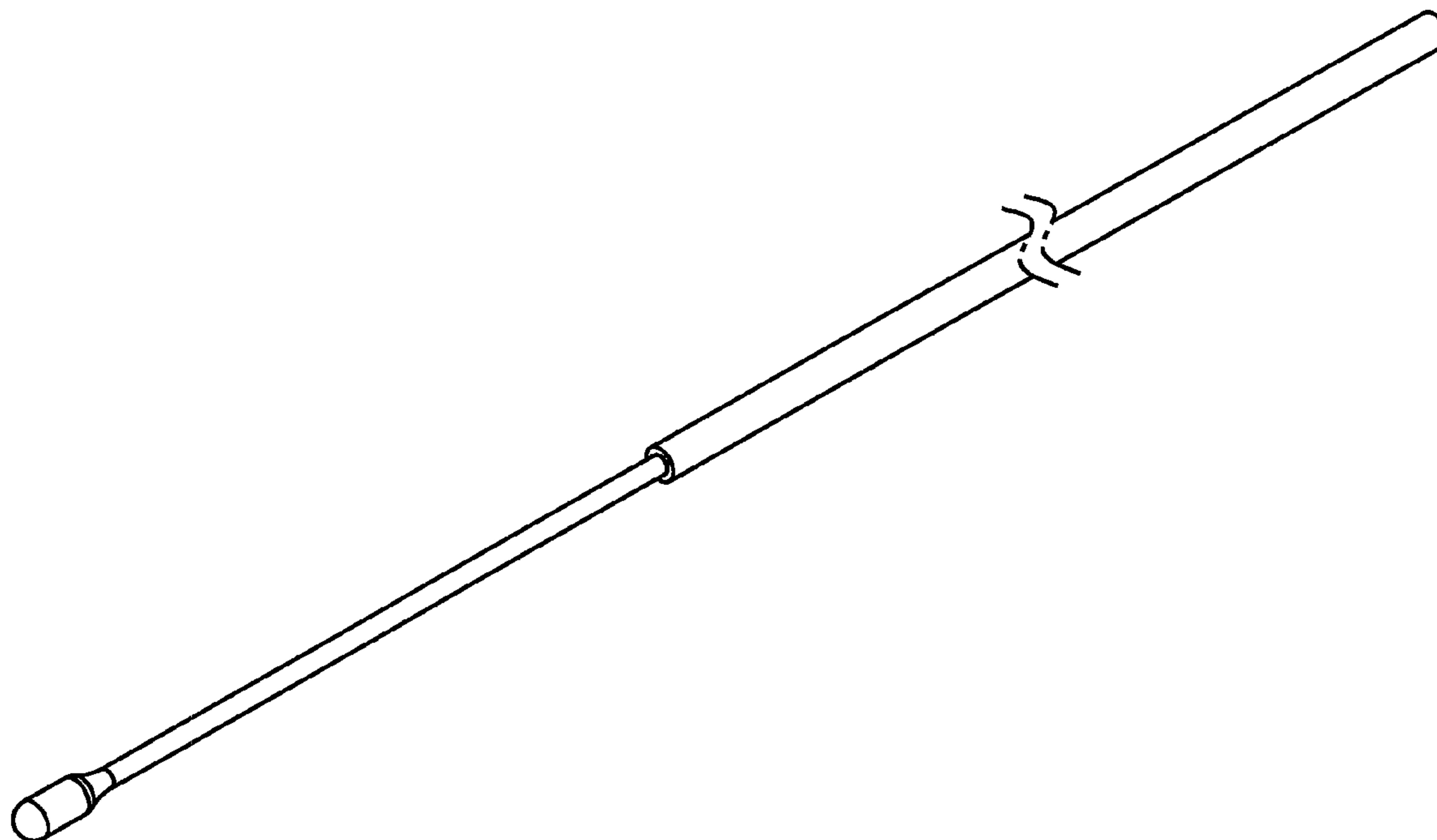
FIG. 3 is an end view thereof; and,

FIG. 4 is an opposite end view thereof.

The broken away portions in FIGS. 1 and 2 represent that no particular length is claimed.

The design is for a bullet tipped culture swab for use in veterinary medical procedures. The culture swab has a swab that is disposed within the culture swab and deployed during use.

**1 Claim, 1 Drawing Sheet**



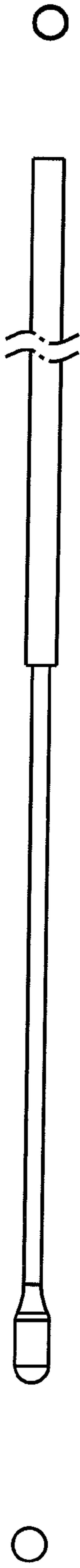


FIG. 3

FIG. 2

FIG. 4

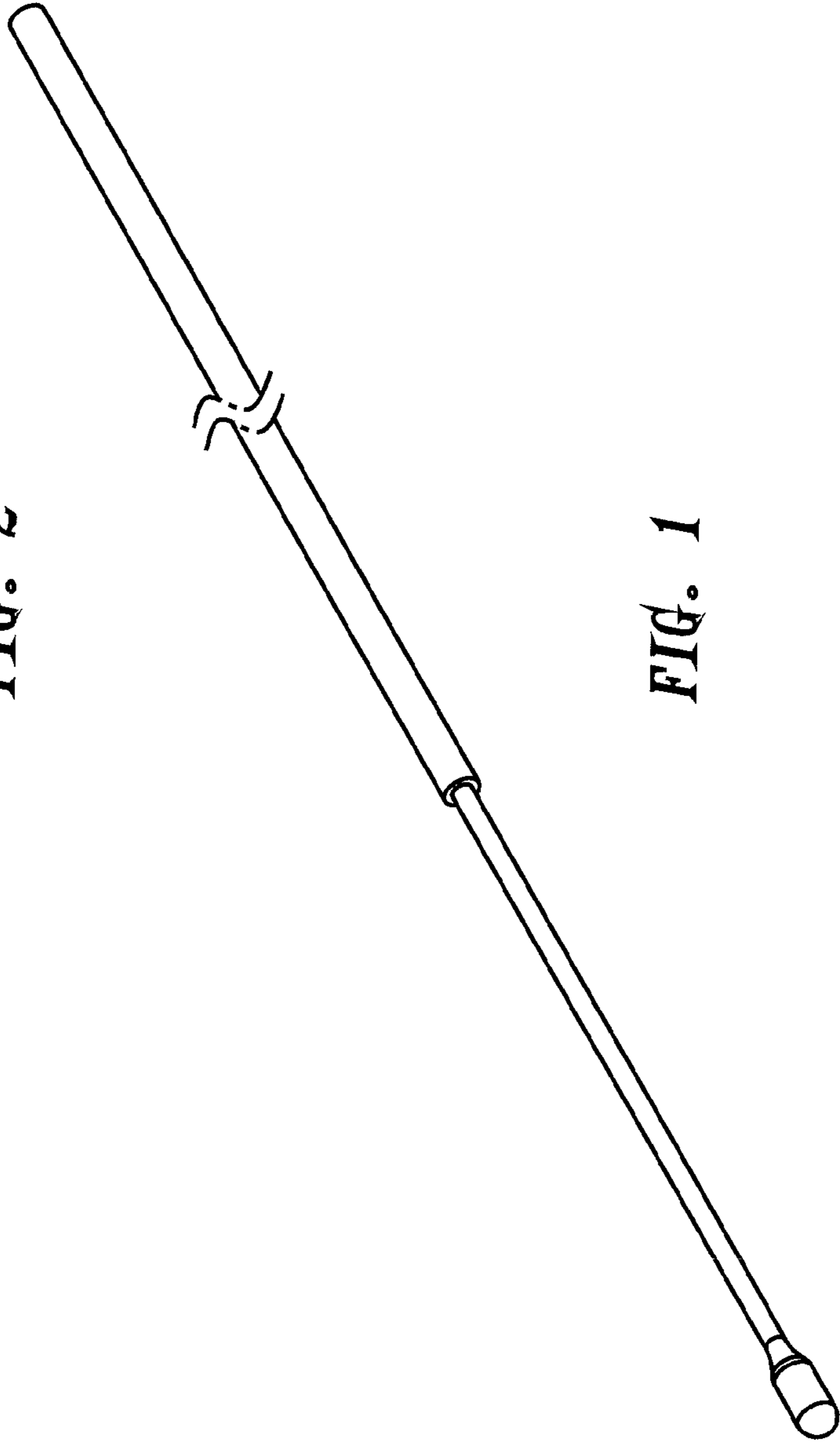


FIG. 1