



US00D614291S

(12) **United States Design Patent**
Guney et al.

(10) **Patent No.:** **US D614,291 S**
(45) **Date of Patent:** **** Apr. 20, 2010**

- (54) **FRAME FOR A MASK**
- (75) Inventors: **Memduh Guney**, Killara (AU); **Perry D. Lithgow**, Moruya (AU); **Timothy Tsun-Fai Fu**, Carlingford (AU); **Jim Saada**, Kellyville (AU)
- (73) Assignee: **ResMed Limited**, Bella Vista (AU)
- (**) Term: **14 Years**
- (21) Appl. No.: **29/311,172**
- (22) Filed: **Jan. 9, 2009**

- D443,355 S 6/2001 Gunaratnam et al.
- 6,374,826 B1 4/2002 Gunaratnam et al.
- D457,622 S 5/2002 Kopacko et al.
- D459,800 S 7/2002 Smart
- D464,427 S 10/2002 Smart
- D468,421 S 1/2003 Smart
- 6,532,961 B1 * 3/2003 Kwok et al. 128/206.21
- 6,581,594 B1 6/2003 Drew et al.
- D486,226 S * 2/2004 Guney et al. D24/110.1
- D486,907 S 2/2004 Guney et al.

Related U.S. Application Data

- (60) Continuation of application No. 29/290,527, filed on Dec. 13, 2007, now Pat. No. Des. 586,460, which is a continuation of application No. 29/242,404, filed on Nov. 10, 2005, now Pat. No. Des. 562,444, which is a continuation of application No. 29/210,138, filed on Jul. 28, 2004, now Pat. No. Des. 516,715, which is a continuation of application No. 29/194,364, filed on Nov. 24, 2003, now Pat. No. Des. 495,797, which is a division of application No. 29/170,559, filed on Nov. 8, 2002, now Pat. No. Des. 486,907.

- (51) **LOC (9) Cl.** **29-02**
 - (52) **U.S. Cl.** **D24/110.1**
 - (58) **Field of Classification Search** D24/110.1, D24/110.4, 110.5; 128/206.21, 206.27, 207.11, 128/205.25
- See application file for complete search history.

(56) **References Cited**

U.S. PATENT DOCUMENTS

- 3,521,630 A 7/1970 Westberg et al.
- 5,062,421 A 11/1991 Burns et al.
- D322,318 S 12/1991 Sullivan
- 5,224,474 A 7/1993 Bloomfield
- D378,610 S 3/1997 Reischel et al.
- D382,341 S 8/1997 Freund
- 5,921,239 A 7/1999 McCall et al.
- D428,139 S 7/2000 Smart

(Continued)

OTHER PUBLICATIONS

Guney et al., Parent Application U.S. Appl. No. 29/290,527, filed Dec. 13, 2007.

Primary Examiner—Ian Simmons

Assistant Examiner—Christopher Lee

(74) *Attorney, Agent, or Firm*—Nixon & Vanderhye P.C.

(57) **CLAIM**

The ornamental design for a frame for a mask, as shown and described.

DESCRIPTION

FIG. 1 is a front perspective view of a frame for a mask according to an embodiment of our design;

FIG. 2 is a front view thereof;

FIG. 3 is a rear view thereof;

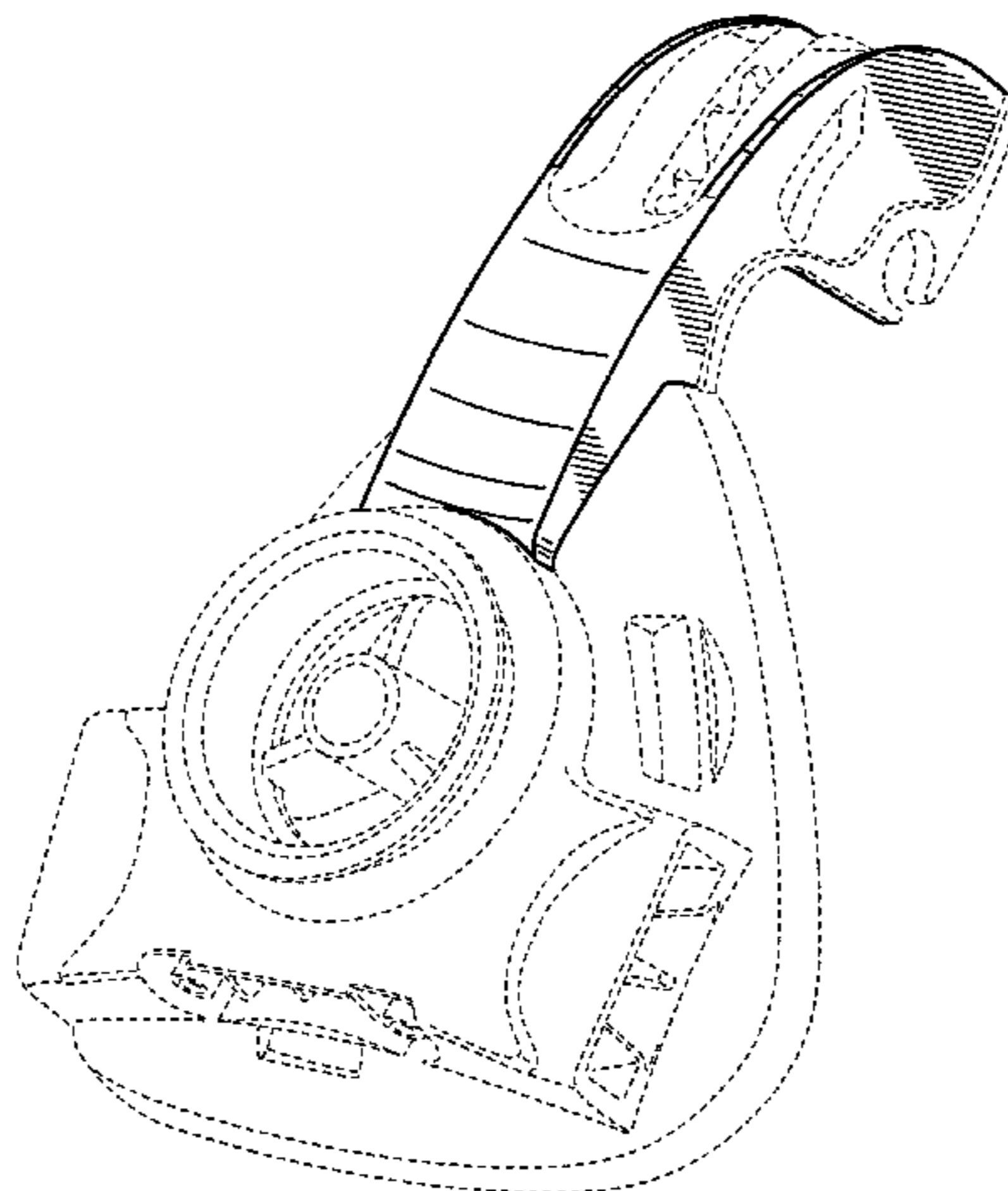
FIG. 4 is a top view thereof;

FIG. 5 is a bottom view thereof; and,

FIG. 6 is a right side view thereof with the left side view being a mirror image thereof.

Where included, broken lines showing environment or structure are for illustrative purposes only and form no part of the claimed design.

1 Claim, 5 Drawing Sheets



US D614,291 S

Page 2

U.S. PATENT DOCUMENTS

D495,797 S 9/2004 Guney et al.
6,860,269 B2 3/2005 Kwok et al.

D516,715 S 3/2006 Guney et al.
D562,444 S 2/2008 Guney et al.

* cited by examiner

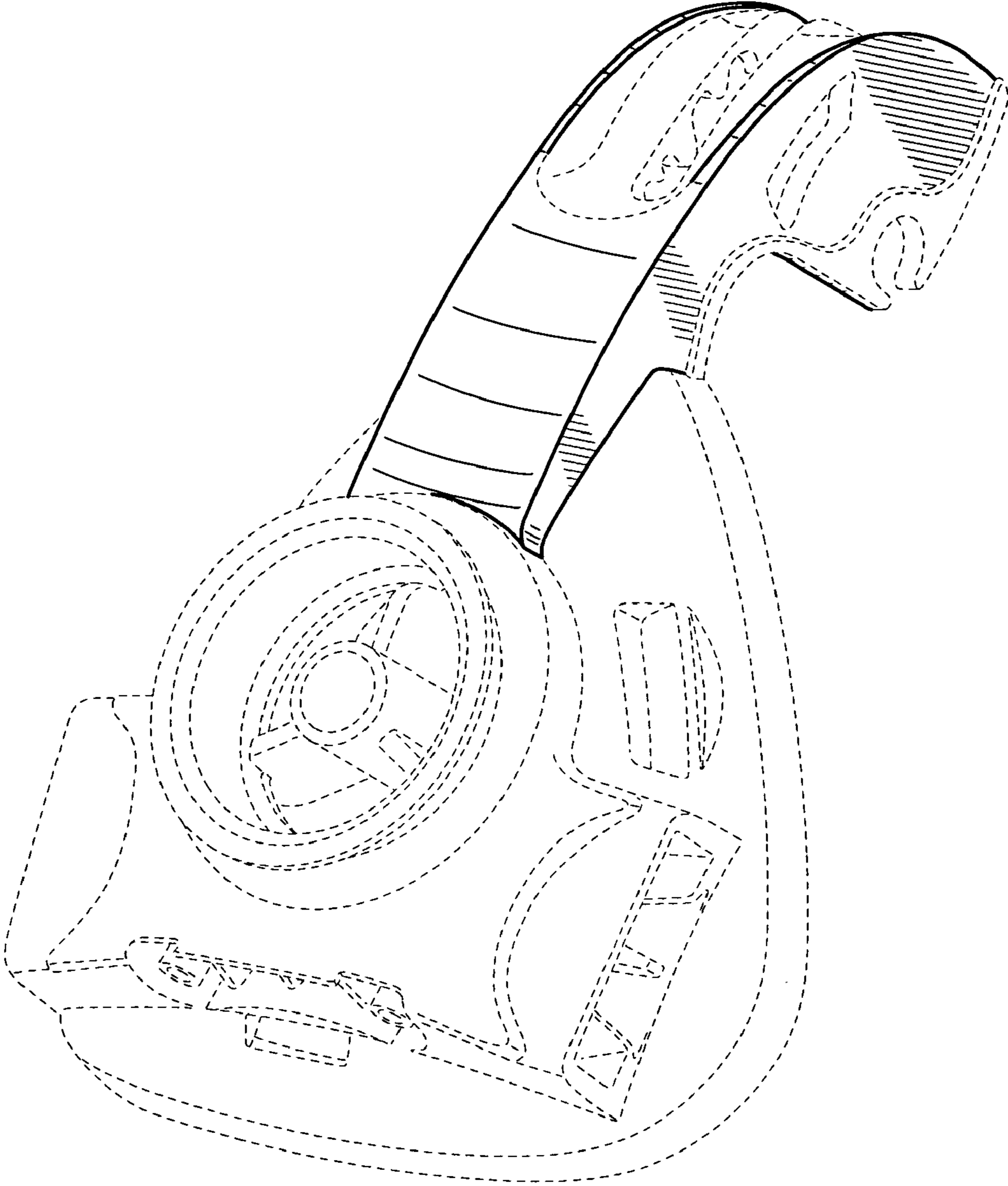


FIG. 1

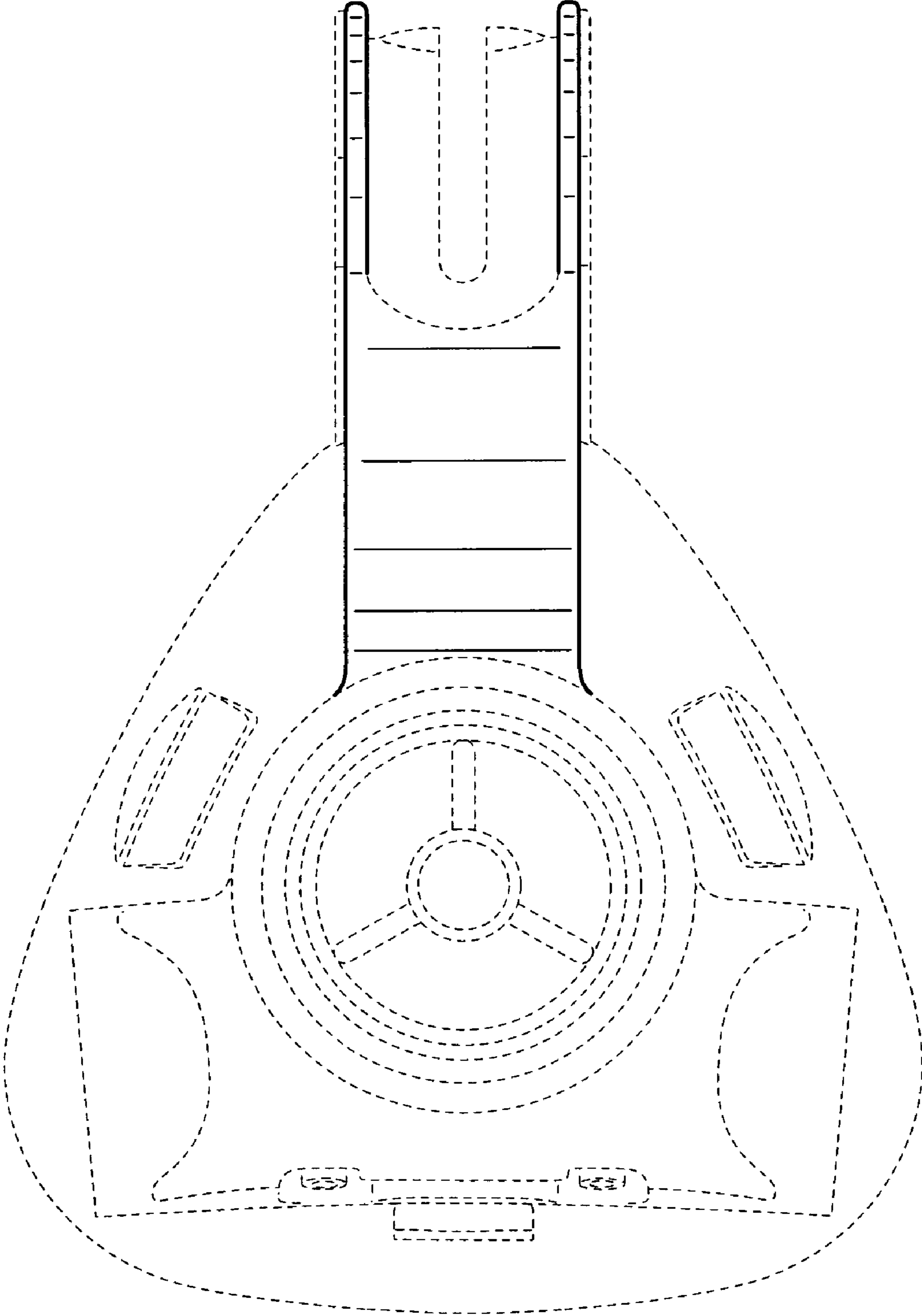


FIG. 2

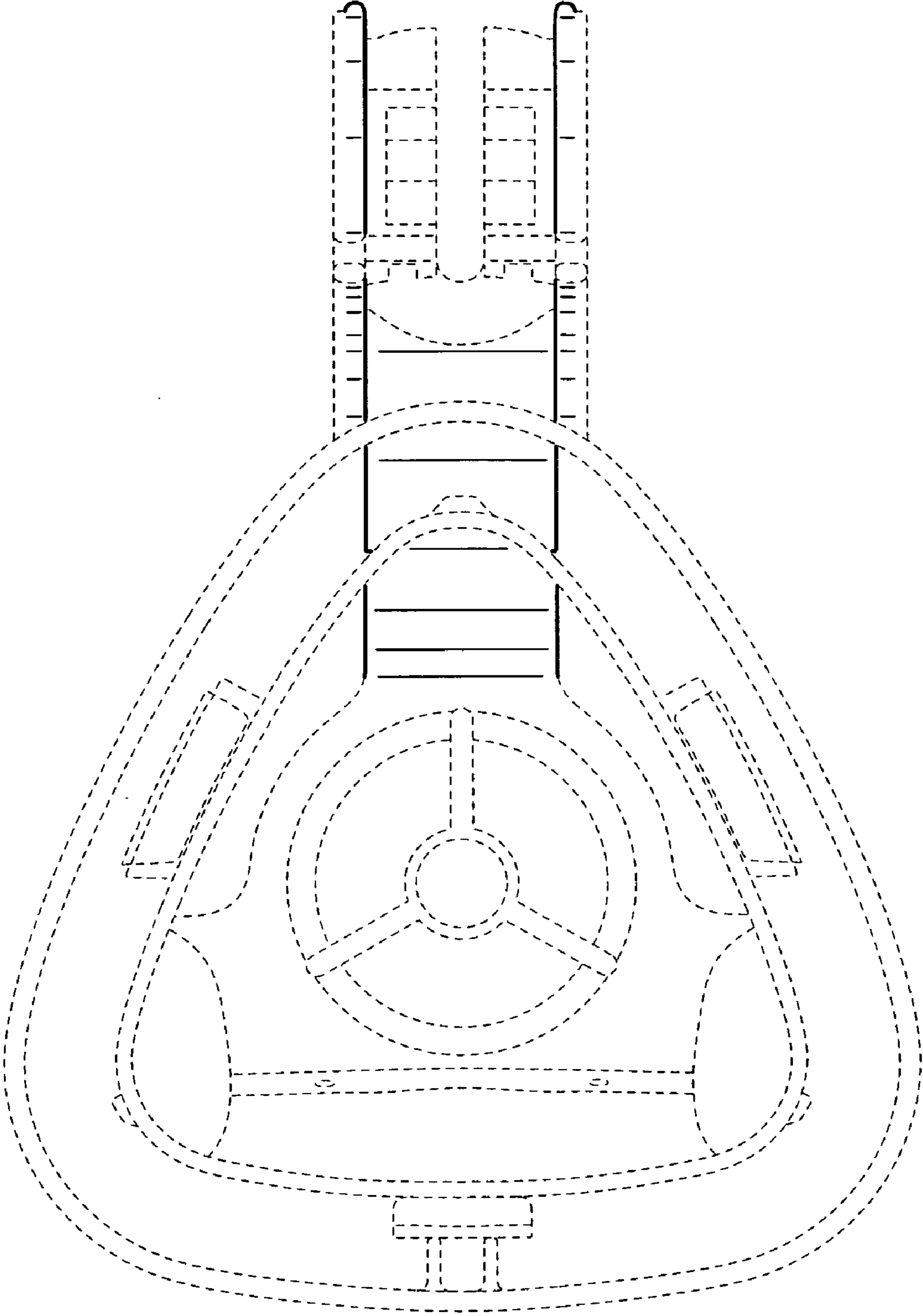


FIG. 3

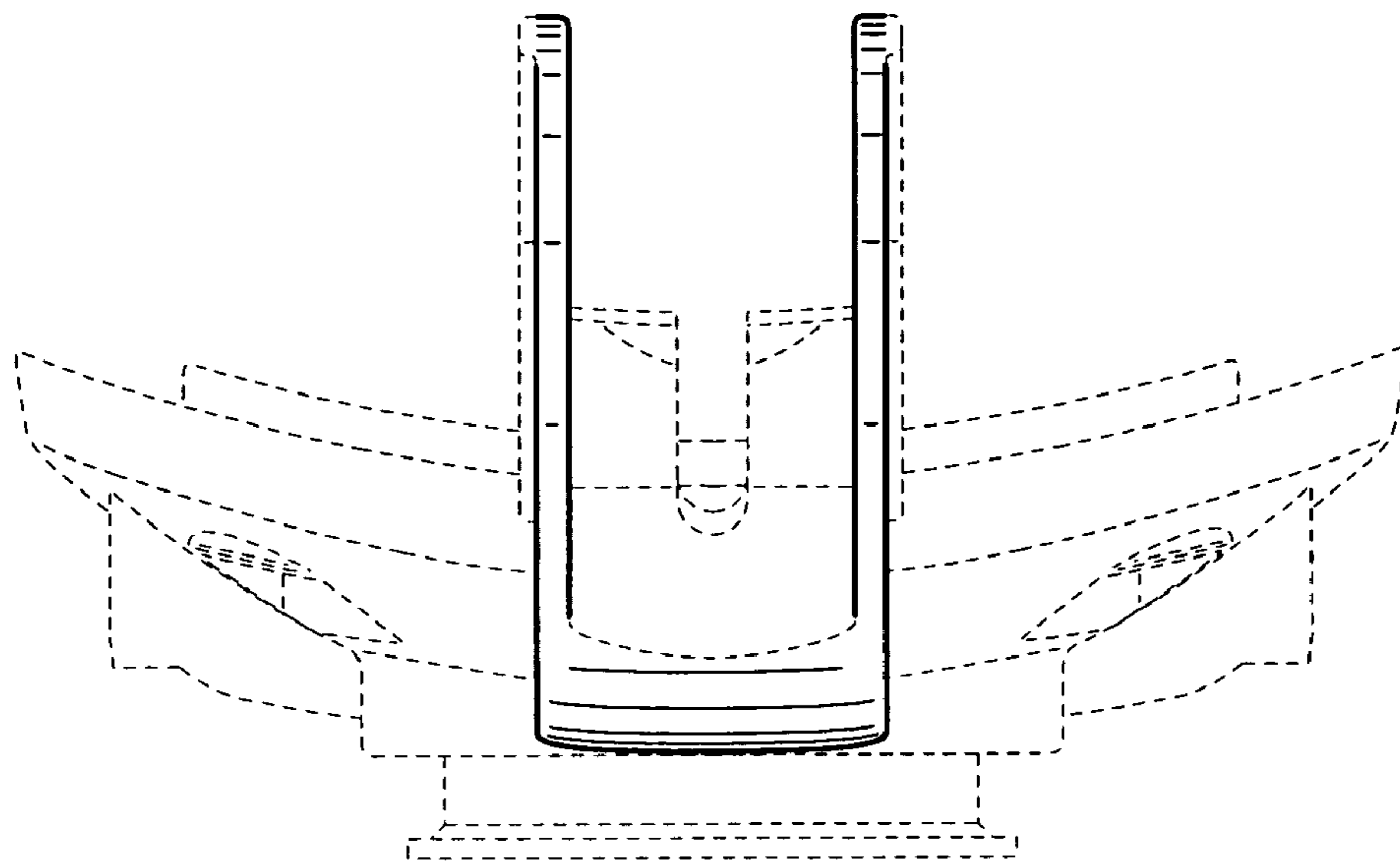


FIG. 4

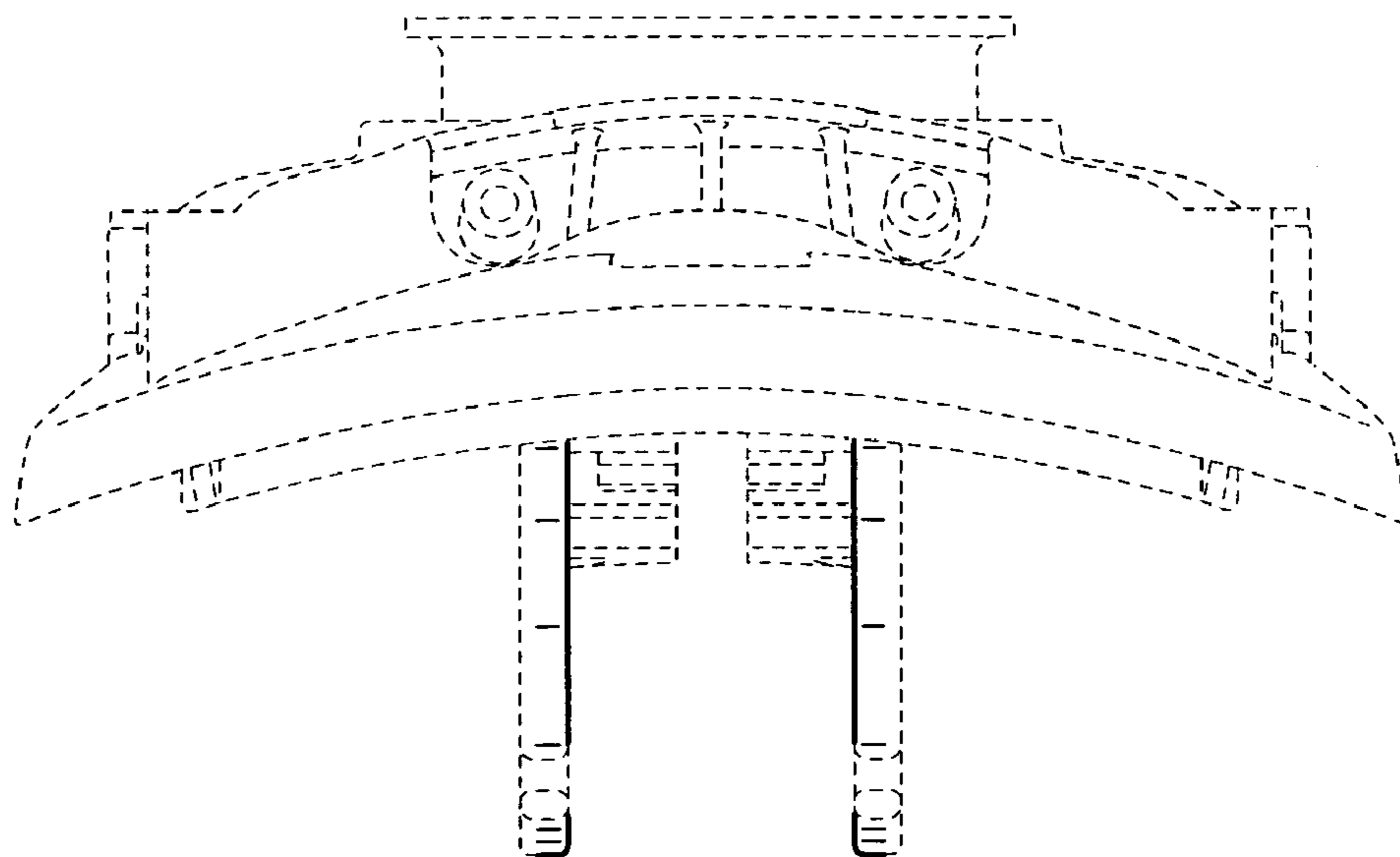


FIG. 5

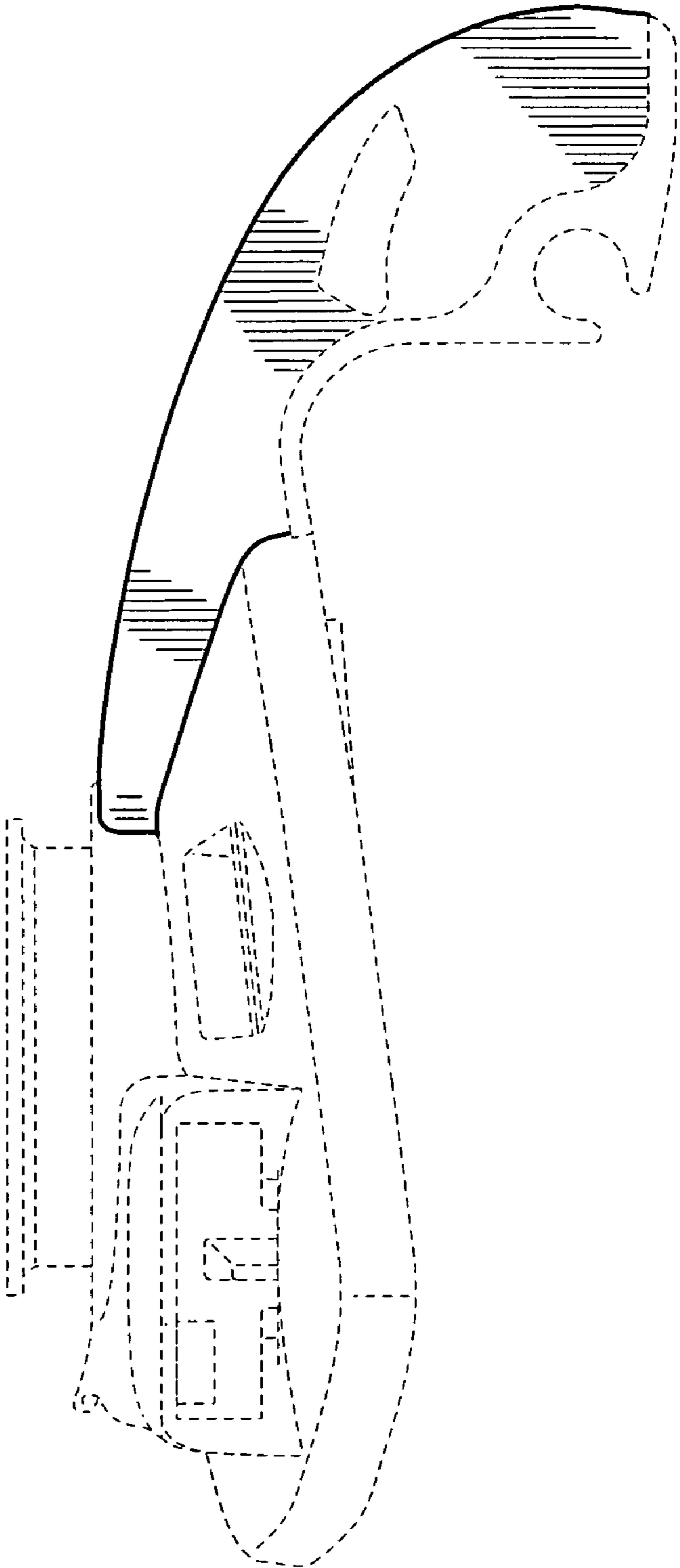


FIG. 6