



US00D614290S

(12) **United States Design Patent**
Judson et al.

(10) **Patent No.:** **US D614,290 S**
(45) **Date of Patent:** **** Apr. 20, 2010**

(54) **RESPIRATORY MASK FRAME CLIP**

(75) Inventors: **Daniel Robert Judson**, Lapstone (AU);
Aaron Samuel Davidson, Newport
(AU); **Daniel Joseph Kaars Sijpesteijn**,
Seven Hills (AU); **Lee James Veliss**,
West Ryde (AU)

(73) Assignee: **ResMed Limited**, Bella Vista (AU)

(**) Term: **14 Years**

(21) Appl. No.: **29/311,161**

(22) Filed: **Jan. 6, 2009**

Related U.S. Application Data

(62) Division of application No. 29/258,084, filed on Apr.
14, 2006, now Pat. No. Des. 587,800.

(51) **LOC (9) Cl.** **29-02**

(52) **U.S. Cl.** **D24/110.1; D24/110.4;**
D24/110.5

(58) **Field of Classification Search** D24/110.1,
D24/110.4, 110.5; 128/207.18, 207.13, 207.11,
128/206.21, 206.12, 205.25, 204.18
See application file for complete search history.

(56) **References Cited**

U.S. PATENT DOCUMENTS

2,763,263	A	9/1956	Ellman	
3,513,844	A	5/1970	Smith	
4,782,832	A	11/1988	Trimble	
5,113,857	A *	5/1992	Dickerman et al. 128/207.18
6,119,694	A	9/2000	Correa	
6,431,172	B1	8/2002	Bordewick	
6,595,215	B2	7/2003	Wood	

D542,912	S	5/2007	Gunaratnam	
D548,332	S *	8/2007	Hitchcock et al. D24/110.1
D557,800	S	12/2007	Hitchcock et al.	
2003/0196655	A1	10/2003	Ging	
2005/0011524	A1	1/2005	Thomlinson	
2005/0241644	A1	11/2005	Gunaratnam	
2006/0137690	A1 *	6/2006	Gunaratnam et al.	... 128/206.11

OTHER PUBLICATIONS

Judson et al., Parent U.S. Appl. No. 29/258,084, filed Apr. 14, 2006.
Judson et al., U.S. Appl. No. 29/258,083, filed Apr. 14, 2006.
Judson et al., U.S. Appl. No. 29/258,085, filed Apr. 14, 2006.

* cited by examiner

Primary Examiner—Ian Simmons
Assistant Examiner—Christopher Lee
(74) *Attorney, Agent, or Firm*—Nixon & Vanderhye P.C.

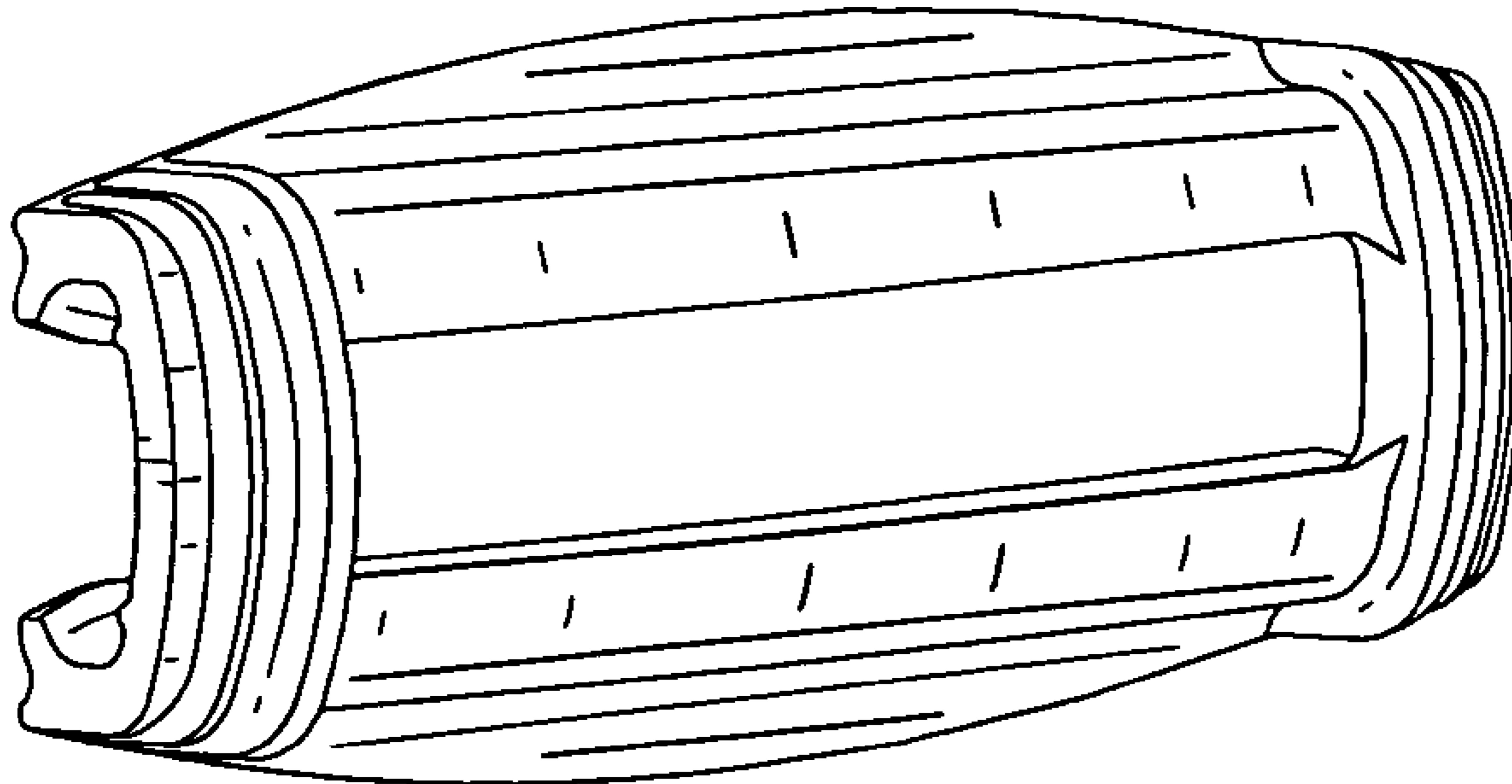
(57) **CLAIM**

The ornamental design for a respiratory mask frame clip, as shown and described.

DESCRIPTION

FIG. 1 is a front perspective view of a respiratory mask frame clip according to an embodiment of our design;
FIG. 2 is a reverse perspective view thereof;
FIG. 3 is a front view thereof;
FIG. 4 is a rear view thereof;
FIG. 5 is a top view thereof;
FIG. 6 is a bottom view thereof;
FIG. 7 is a left side view thereof; and,
FIG. 8 is a right side view thereof.

1 Claim, 3 Drawing Sheets



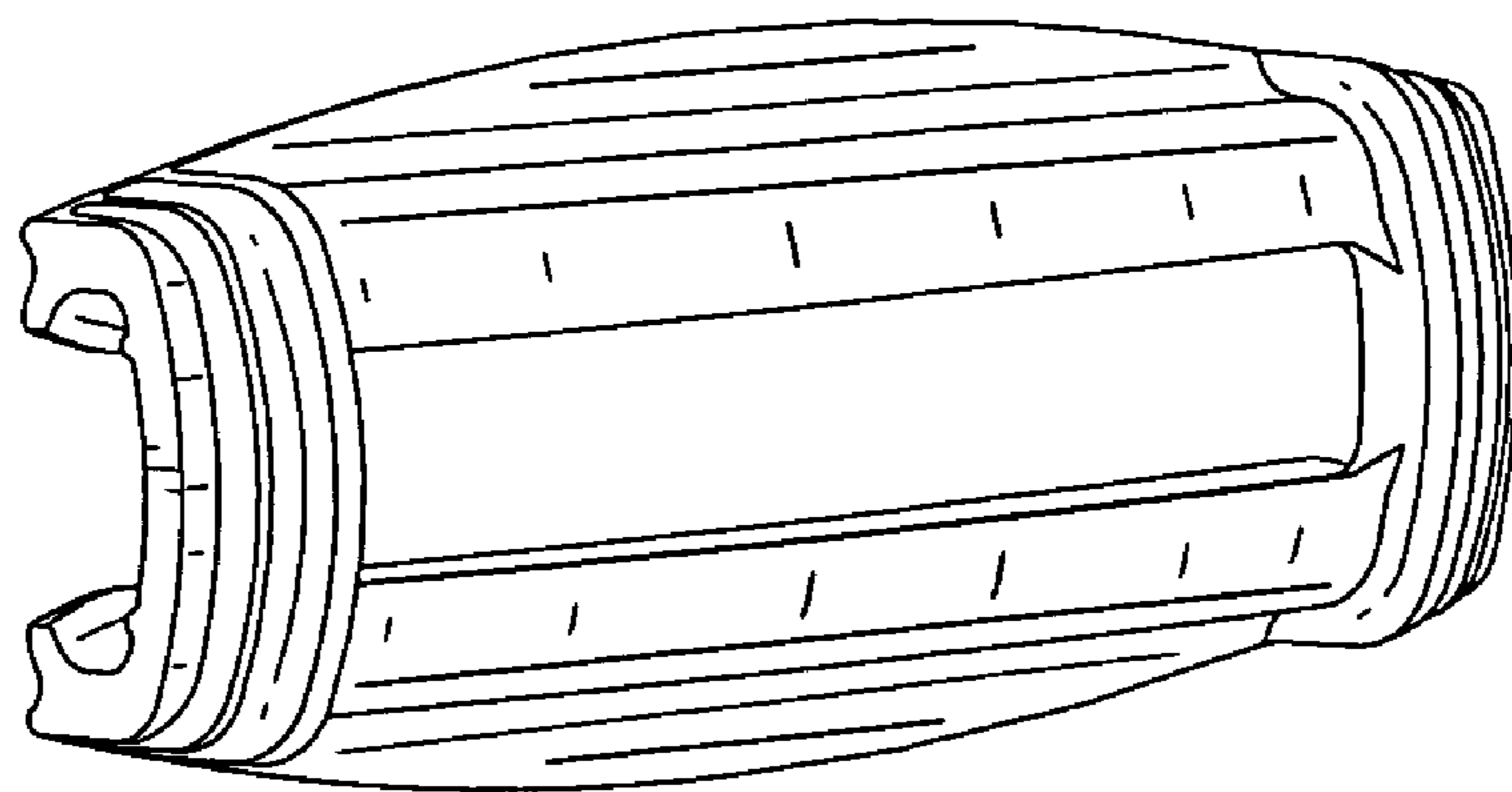


Fig. 1

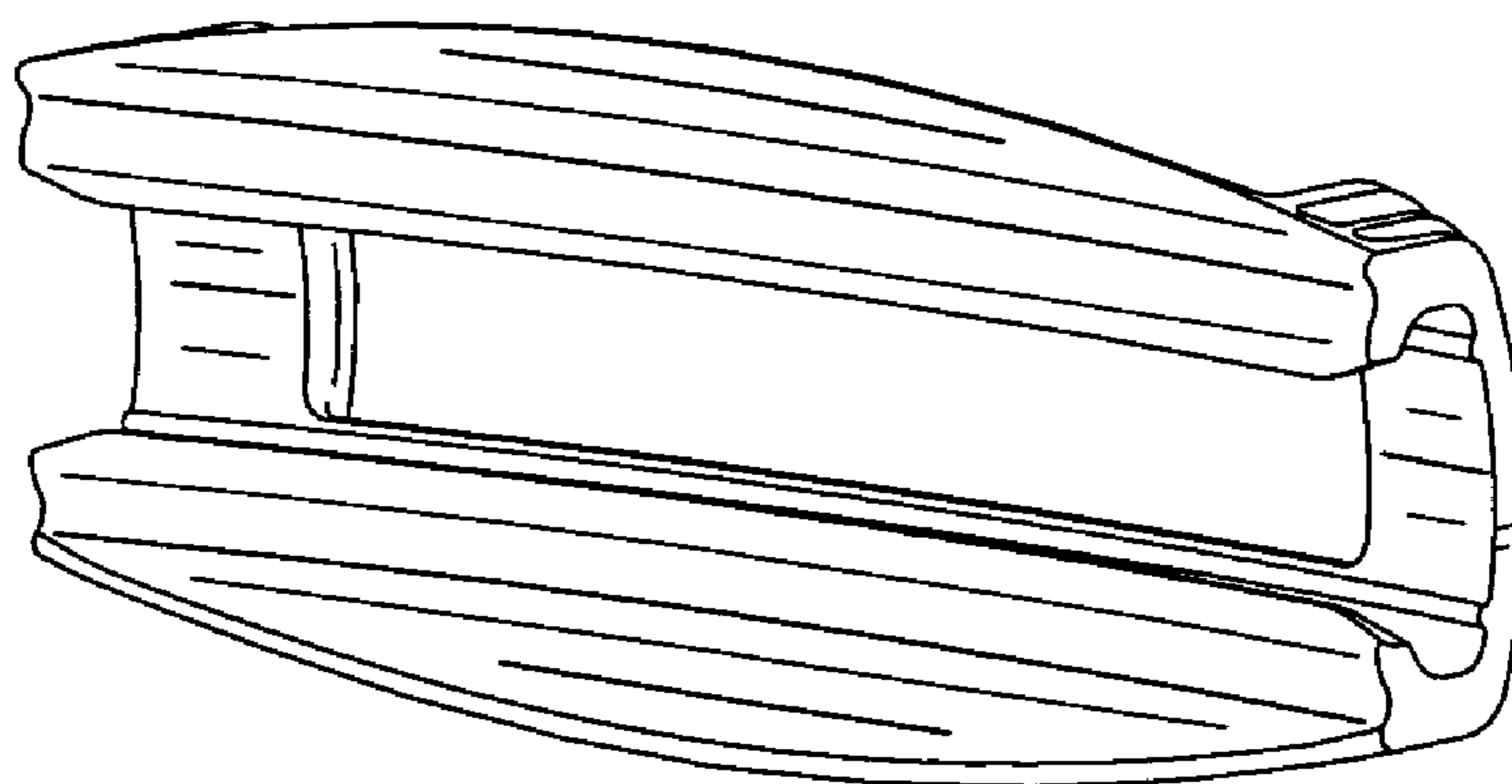


Fig. 2

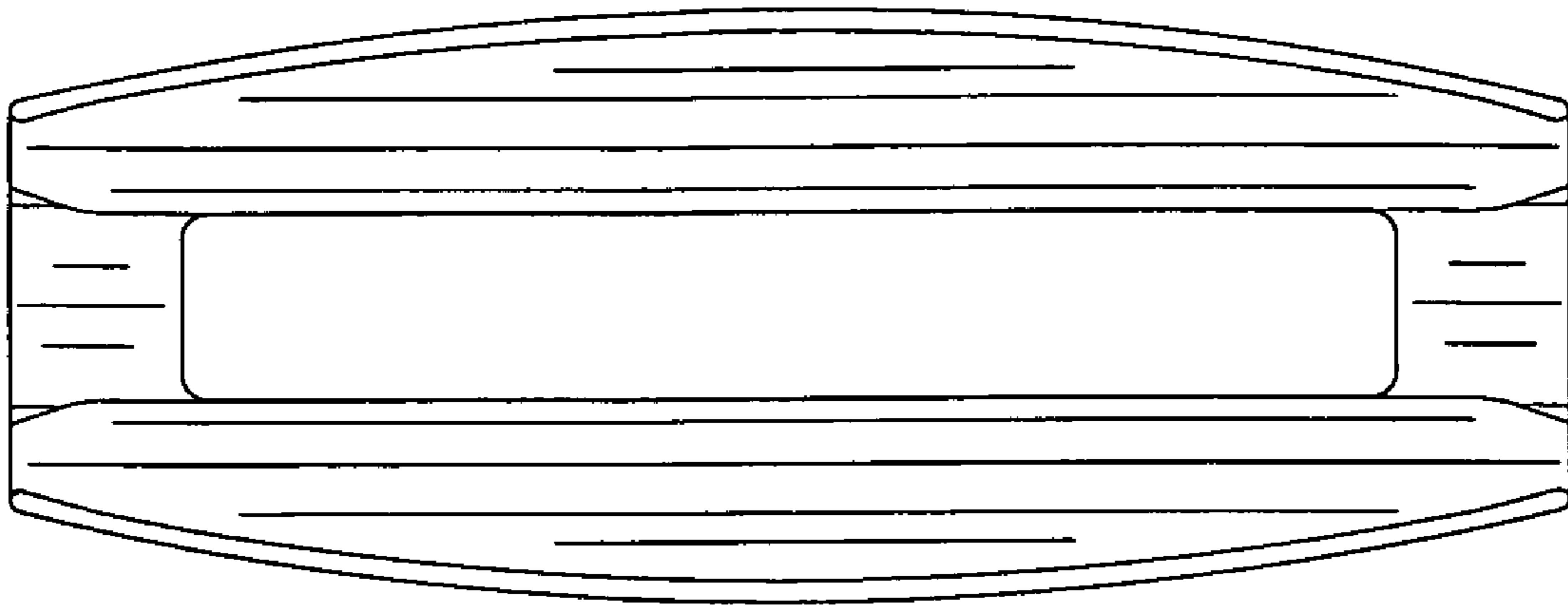


Fig. 3

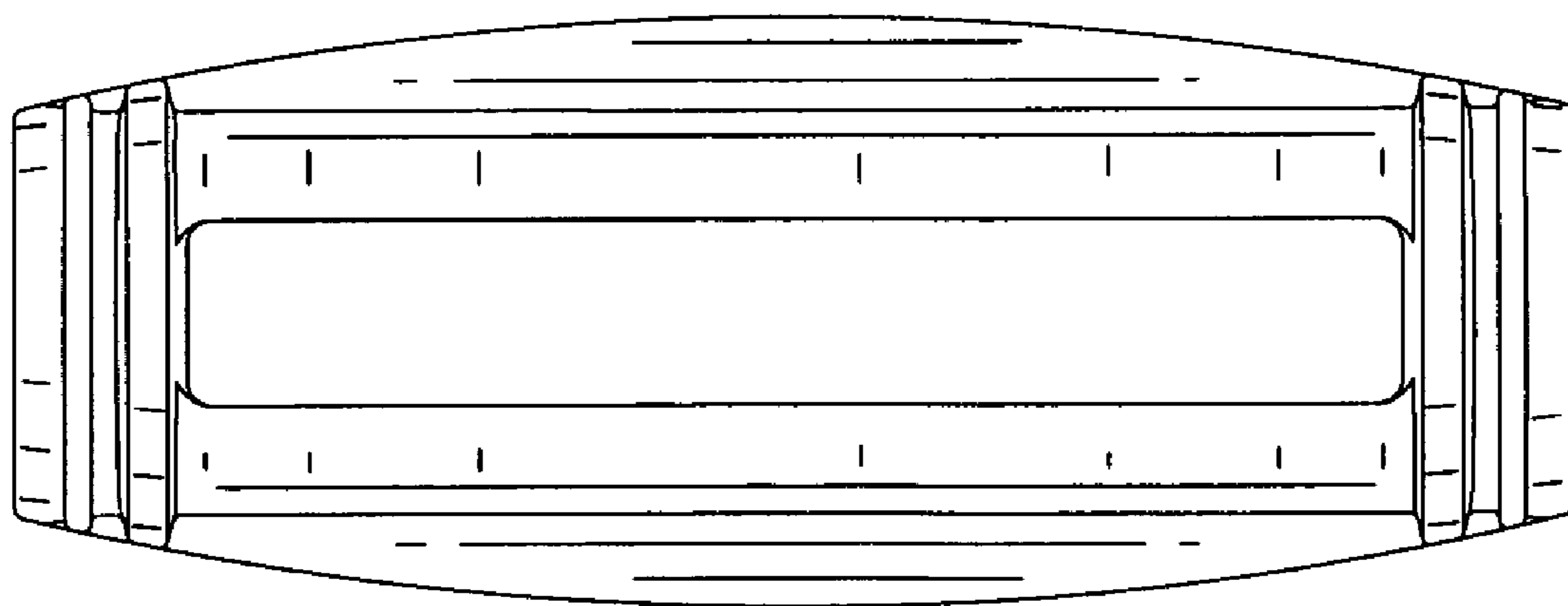


Fig. 4

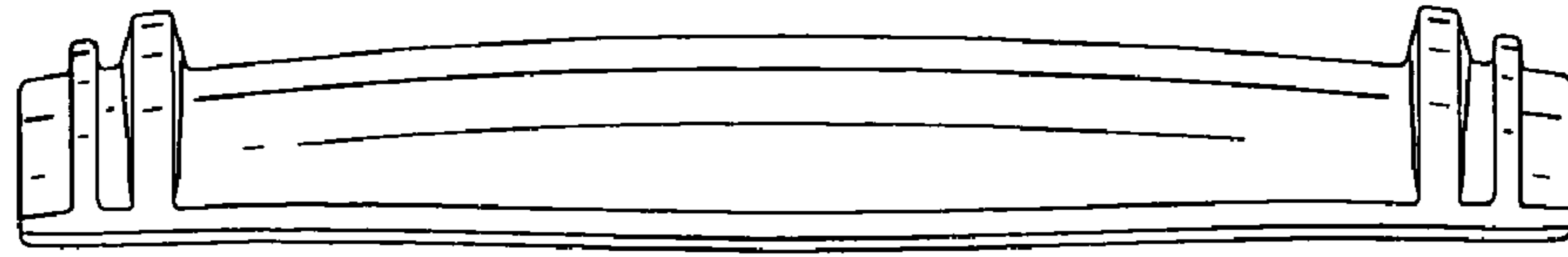


Fig. 5

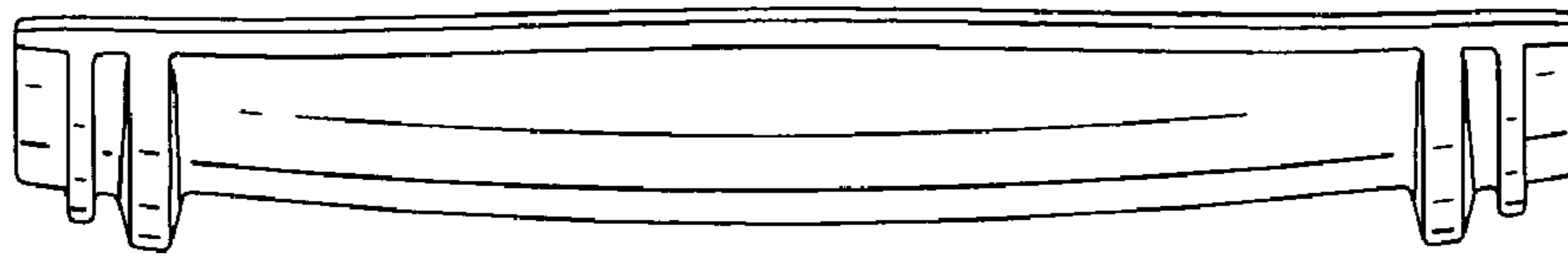


Fig. 6

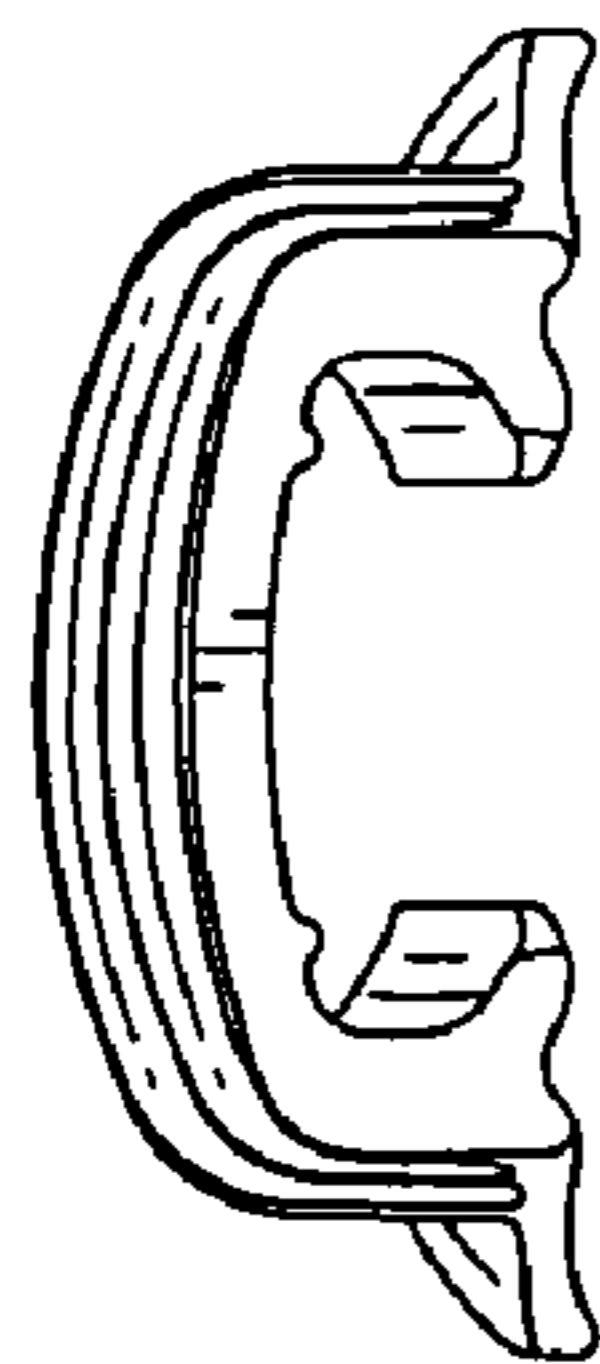


Fig. 7

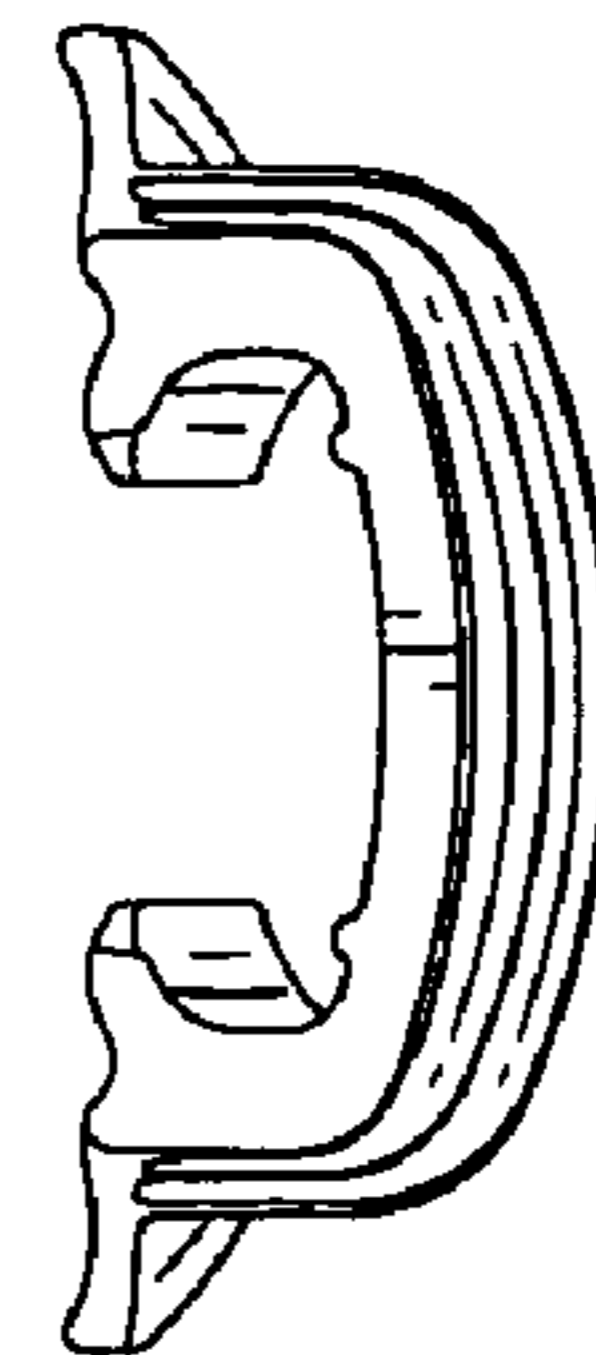


Fig. 8

UNITED STATES PATENT AND TRADEMARK OFFICE
CERTIFICATE OF CORRECTION

PATENT NO. : Des. 614,290 S
APPLICATION NO. : 29/311161
DATED : April 20, 2010
INVENTOR(S) : Judson et al.

Page 1 of 1

It is certified that error appears in the above-identified patent and that said Letters Patent is hereby corrected as shown below:

Title Page item (75) Inventors should read: **Daniel Robert Judson, Lapstone (AU);
Aaron Samuel Davidson, Newport (AU)**

Signed and Sealed this

First Day of June, 2010

A handwritten signature in black ink that reads "David J. Kappos". The signature is written in a cursive style with a large, looped 'D' and a long, sweeping tail for the 's'.

David J. Kappos
Director of the United States Patent and Trademark Office