



US00D614287S

(12) **United States Design Patent**
Chu et al.

(10) **Patent No.:** **US D614,287 S**
(45) **Date of Patent:** **** Apr. 20, 2010**

(54) **FOREHEAD SUPPORT FRAME COMPONENT FOR A PATIENT INTERFACE**

(75) Inventors: **Vincent Chu**, Little Bay (AU); **Joshua Adam Gudiksen**, Mortdale (AU); **Scott Alexander Howard**, Harbord (AU)

(73) Assignee: **ResMed Limited**, Bella Vista (AU)

(**) Term: **14 Years**

(21) Appl. No.: **29/311,149**

(22) Filed: **Jan. 5, 2009**

Related U.S. Application Data

(63) Continuation of application No. 29/261,578, filed on Jun. 16, 2006, now Pat. No. Des. 587,801.

(51) **LOC (9) Cl.** **29-02**

(52) **U.S. Cl.** **D24/110.1; D24/110.4; D24/110.5**

(58) **Field of Classification Search** **D24/110.1, D24/110.4, 110.5, 164; 128/205.25, 206.27, 128/207.11, 206.26, 207.17, 207.13, 206.21, 128/204.18, 206.12**

See application file for complete search history.

(56) **References Cited**

U.S. PATENT DOCUMENTS

D428,139 S	7/2000	Smart	
D430,663 S	9/2000	Smart	
6,374,826 B1	4/2002	Gunaratnam	
D459,800 S	7/2002	Smart	
D464,427 S	10/2002	Smart	
D464,728 S	10/2002	Paul	
D468,421 S	1/2003	Smart	
6,581,594 B1	6/2003	Drew	
D486,226 S *	2/2004	Guney et al.	D24/110.1
D486,907 S	2/2004	Guney	
D493,885 S	8/2004	Raje	
D502,260 S *	2/2005	Lang et al.	D24/110.1
6,860,269 B2	3/2005	Kwok et al.	
D519,207 S	4/2006	Raje et al.	

D534,274 S	12/2006	Smart	
D549,322 S	8/2007	Stallard et al.	
D558,332 S *	12/2007	Ng et al.	D24/110.1
D558,334 S	12/2007	Stallard et al.	
2003/0005931 A1	1/2003	Jaffre	
2004/0045551 A1 *	3/2004	Eaton et al.	128/206.21
2004/0118406 A1	6/2004	Lithgow et al.	

(Continued)

FOREIGN PATENT DOCUMENTS

WO 2005/018523 3/2005

(Continued)

OTHER PUBLICATIONS

Chu et al., U.S. Appl. No. 29/261,578, filed Jun. 16, 2006.

(Continued)

Primary Examiner—Ian Simmons

Assistant Examiner—Christopher Lee

(74) *Attorney, Agent, or Firm*—Nixon & Vanderhye P.C.

(57) **CLAIM**

The ornamental design for a forehead support frame component for a patient interface, as shown and described.

DESCRIPTION

FIG. 1 is a perspective view of a forehead support frame component for a patient interface of our design;

FIG. 2 is a front view thereof;

FIG. 3 is a rear view thereof;

FIG. 4 is a top view thereof;

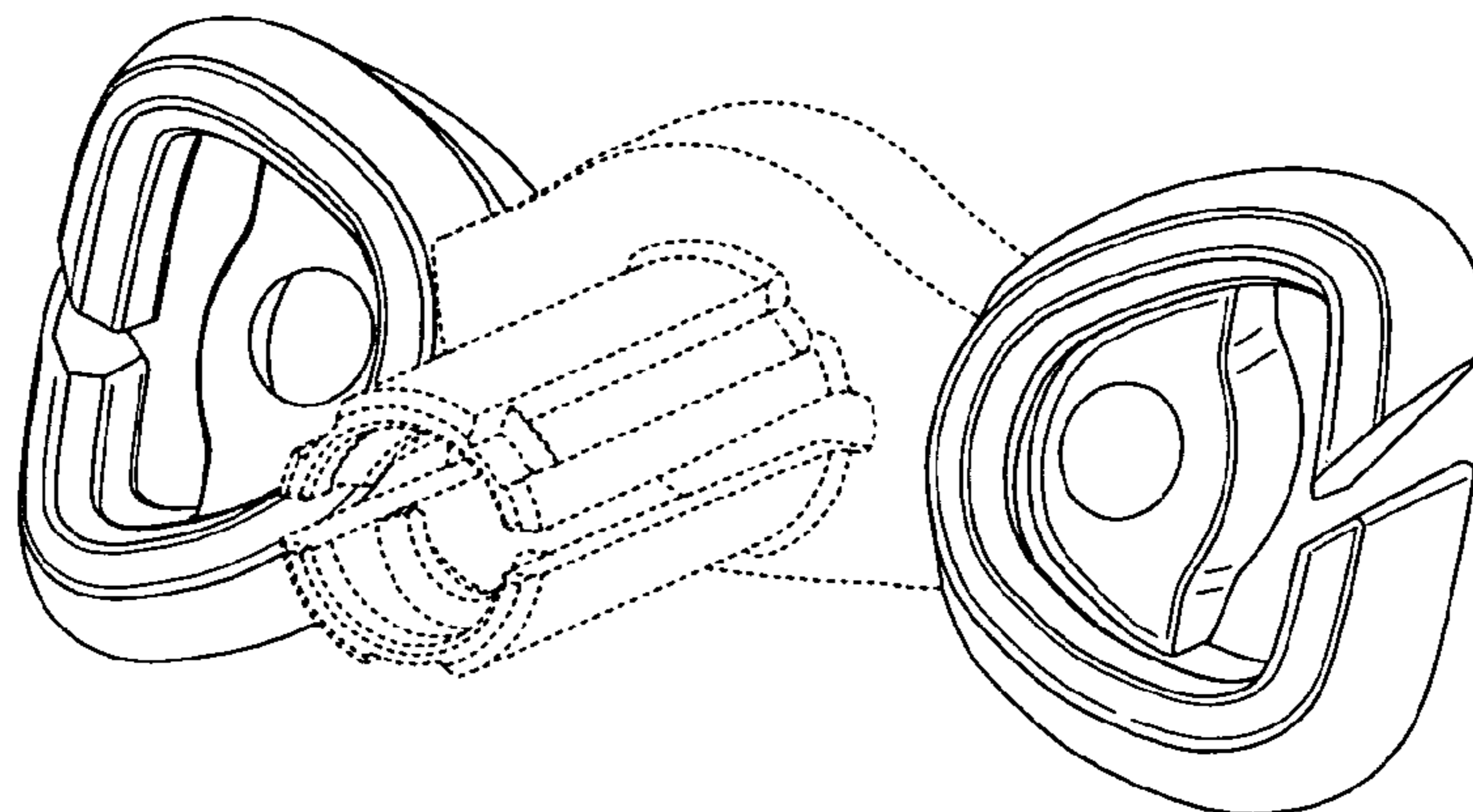
FIG. 5 is a bottom view thereof;

FIG. 6 is a right side view thereof, with the left side view being a mirror image thereof; and,

FIG. 7 is a reverse perspective view thereof.

The broken lines illustrate environmental structure of the forehead support frame component for a patient interface, which forms no part of the claimed design.

1 Claim, 3 Drawing Sheets



US D614,287 S

Page 2

U.S. PATENT DOCUMENTS

2005/0172969 A1 8/2005 Ging
2006/0231103 A1 10/2006 Matula

FOREIGN PATENT DOCUMENTS

WO 2005/021075 3/2005

WO 2005/032634 4/2005

OTHER PUBLICATIONS

Stallard et al., U.S. Appl. No. 29/251,703, filed Jan. 12, 2006.
Veliss et al., U.S. Appl. No. 29/268,731, filed Nov. 13, 2006.
Stallard et al., U.S. Appl. No. 29/268,823, filed Nov. 14, 2006.
Stallard et al., U.S. Appl. No. 29/272,801, filed Feb. 20, 2007.

* cited by examiner

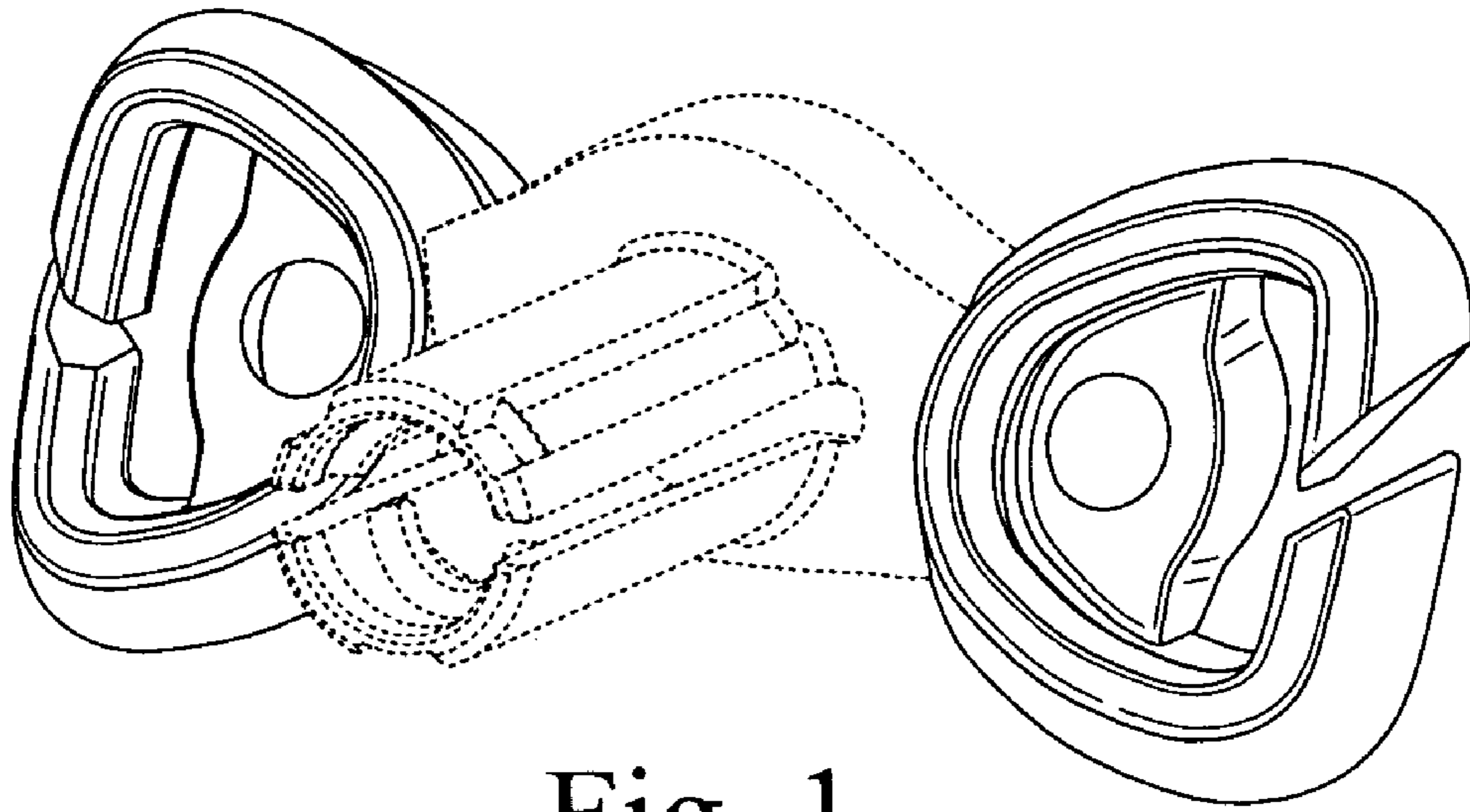


Fig. 1

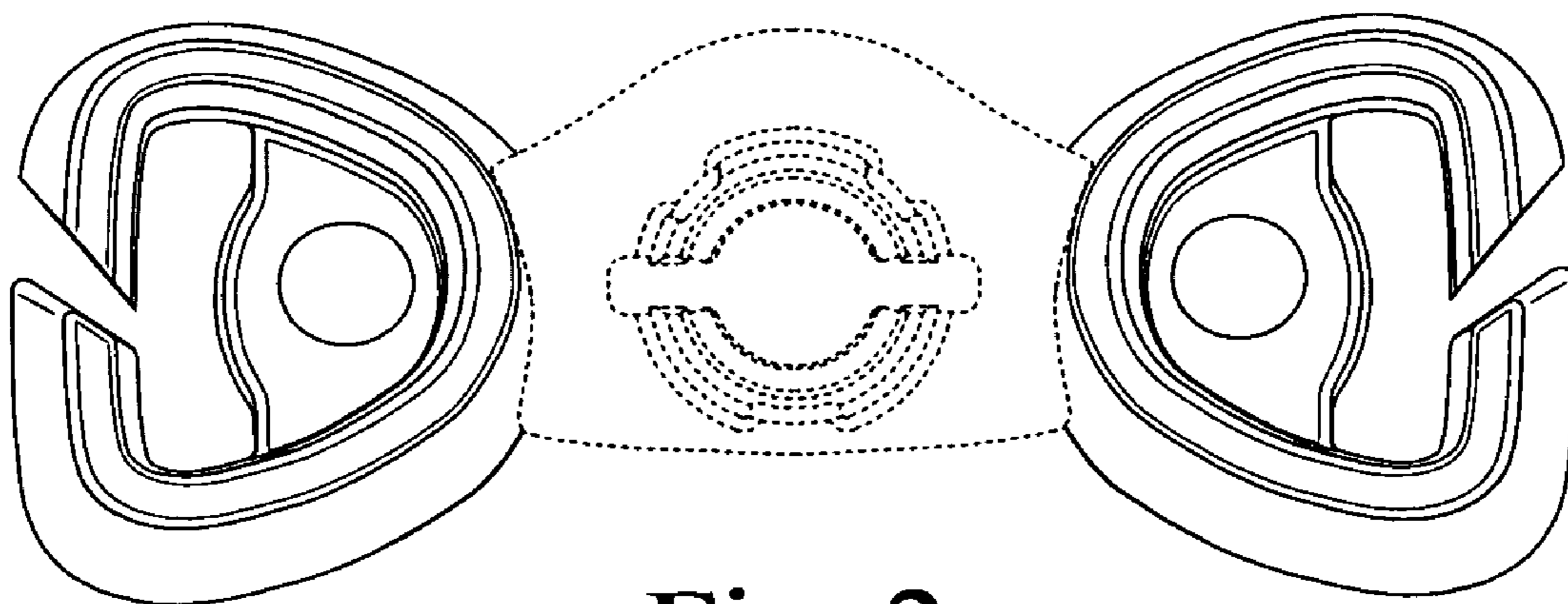


Fig. 2

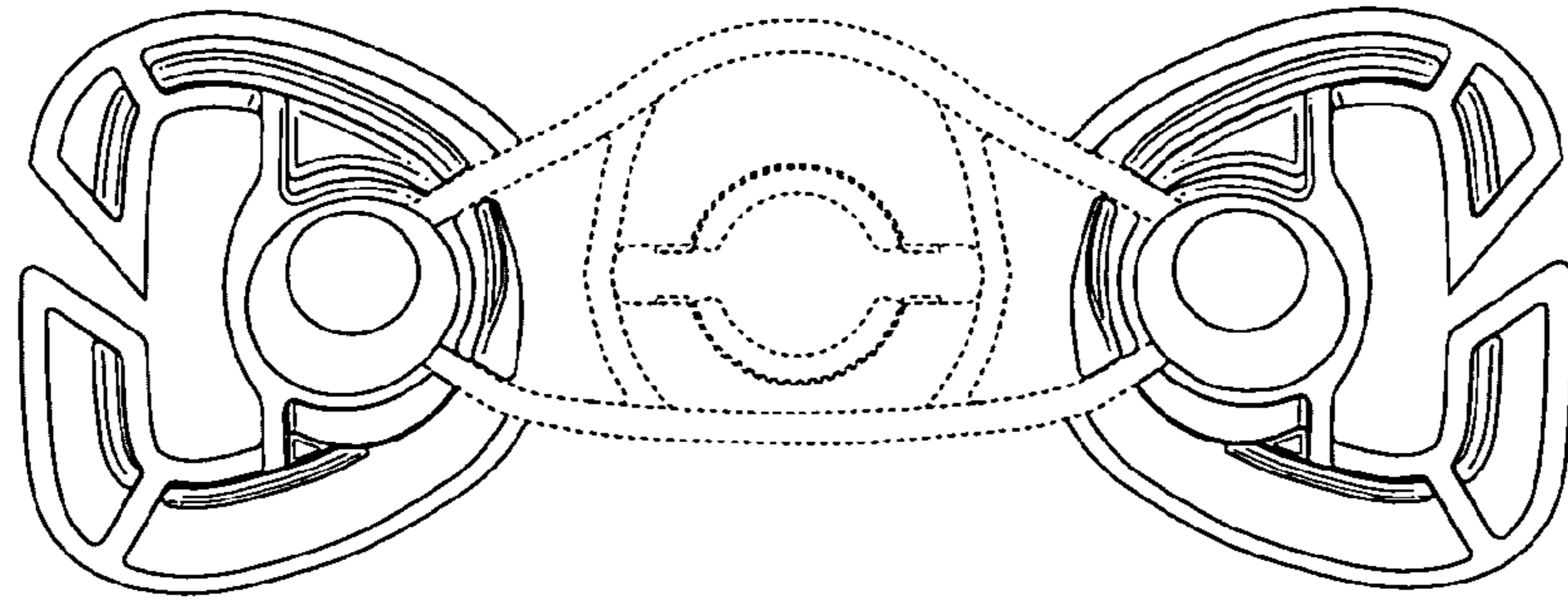


Fig. 3

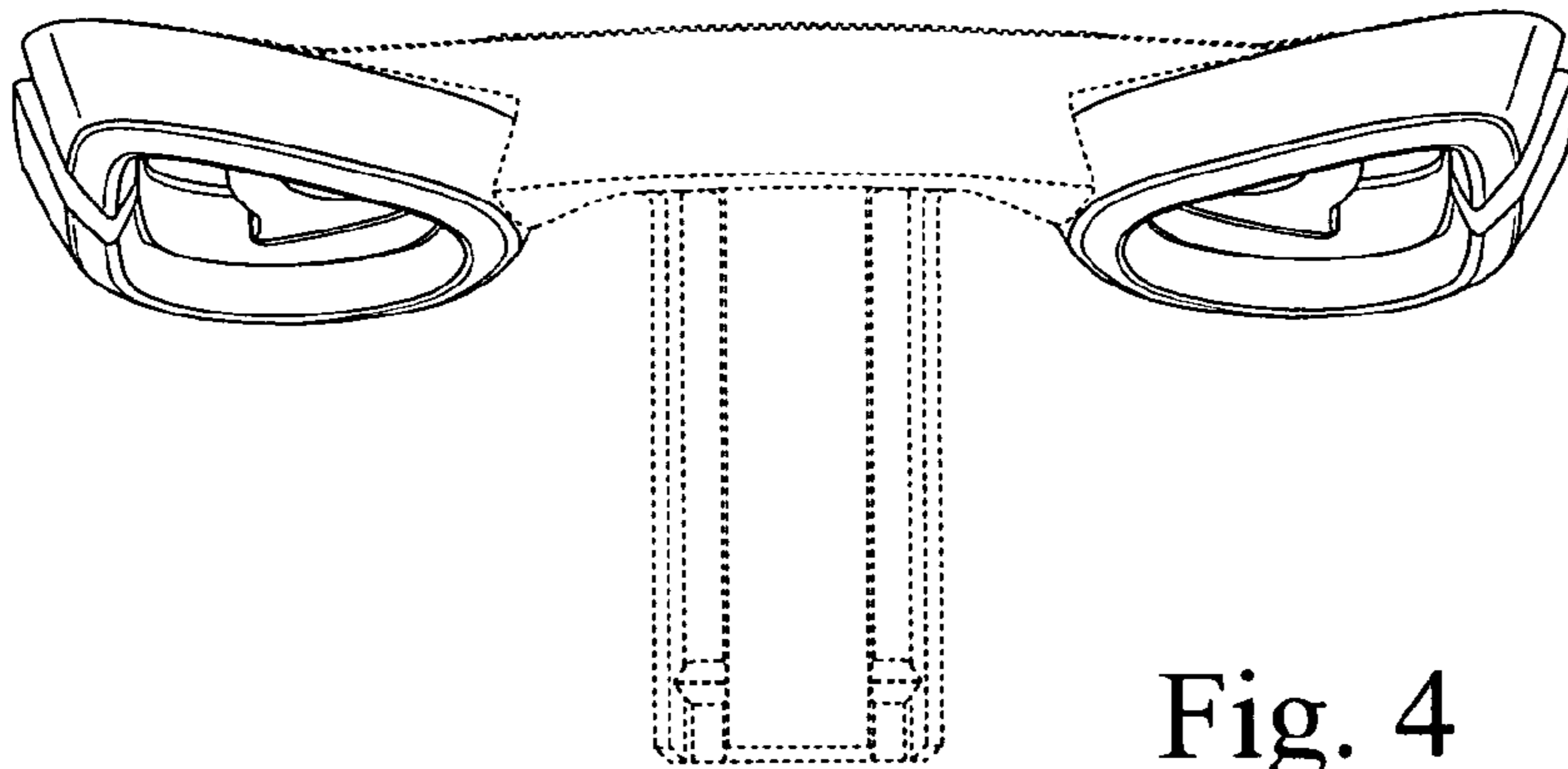


Fig. 4

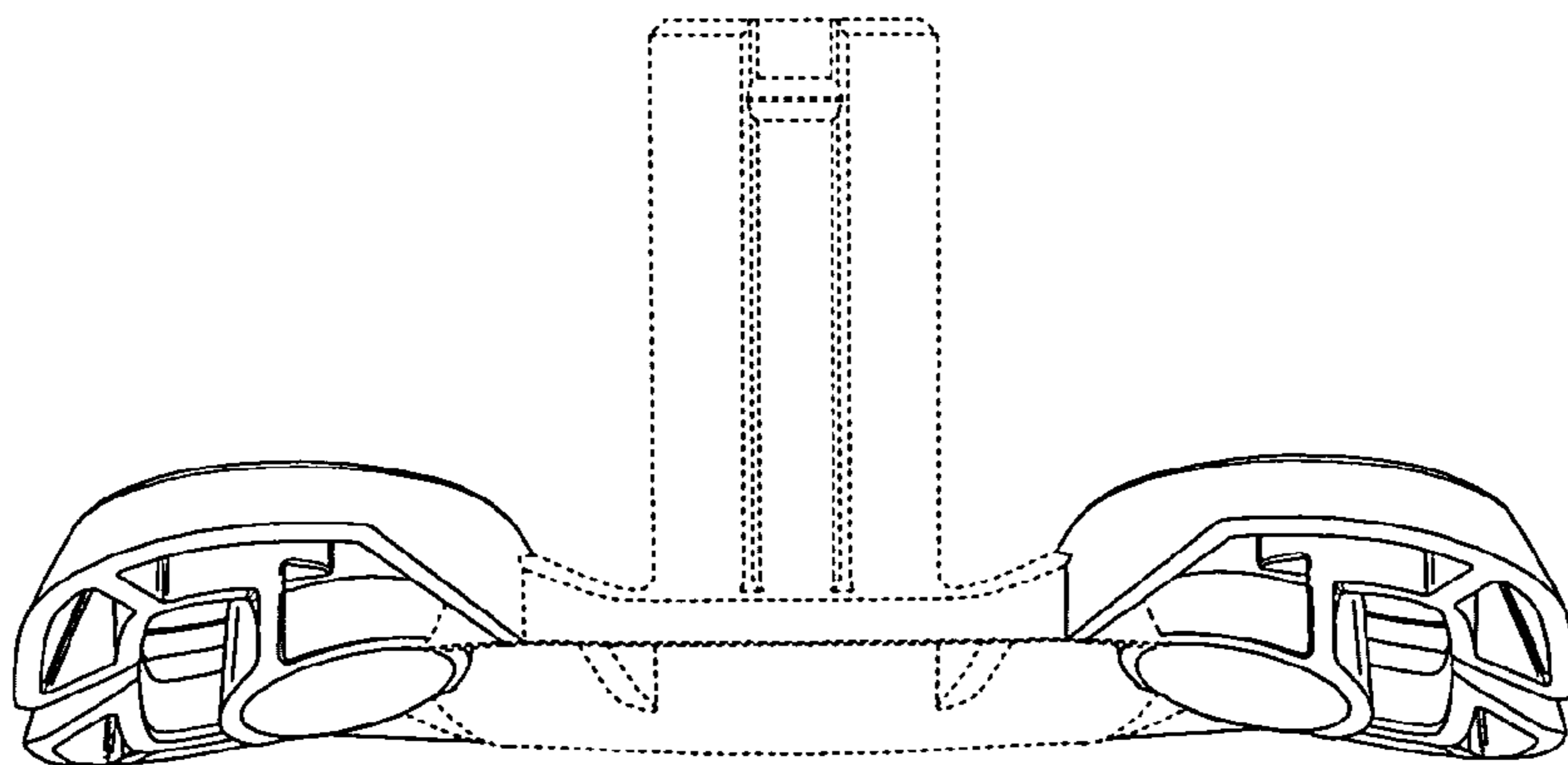


Fig. 5

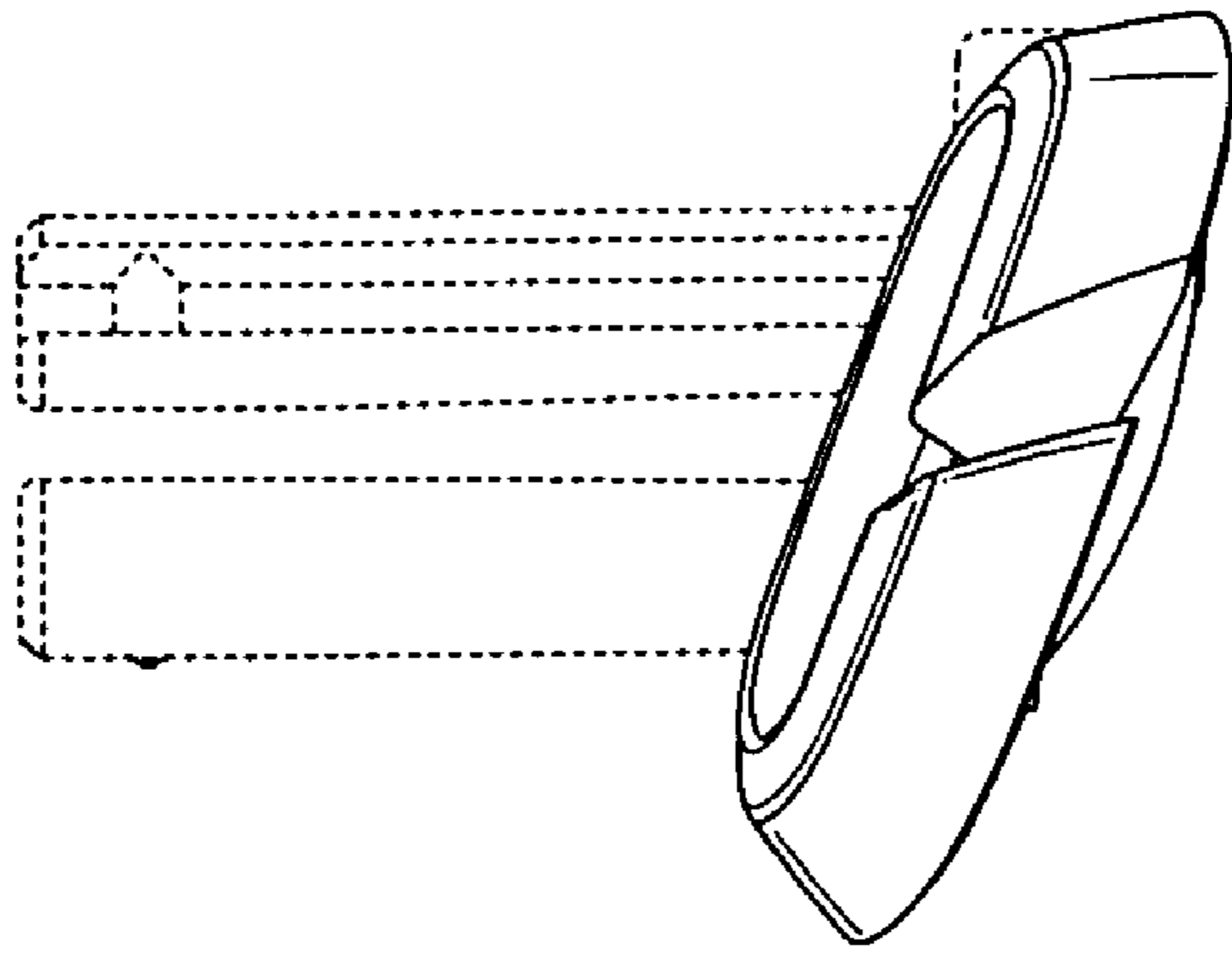


Fig. 6

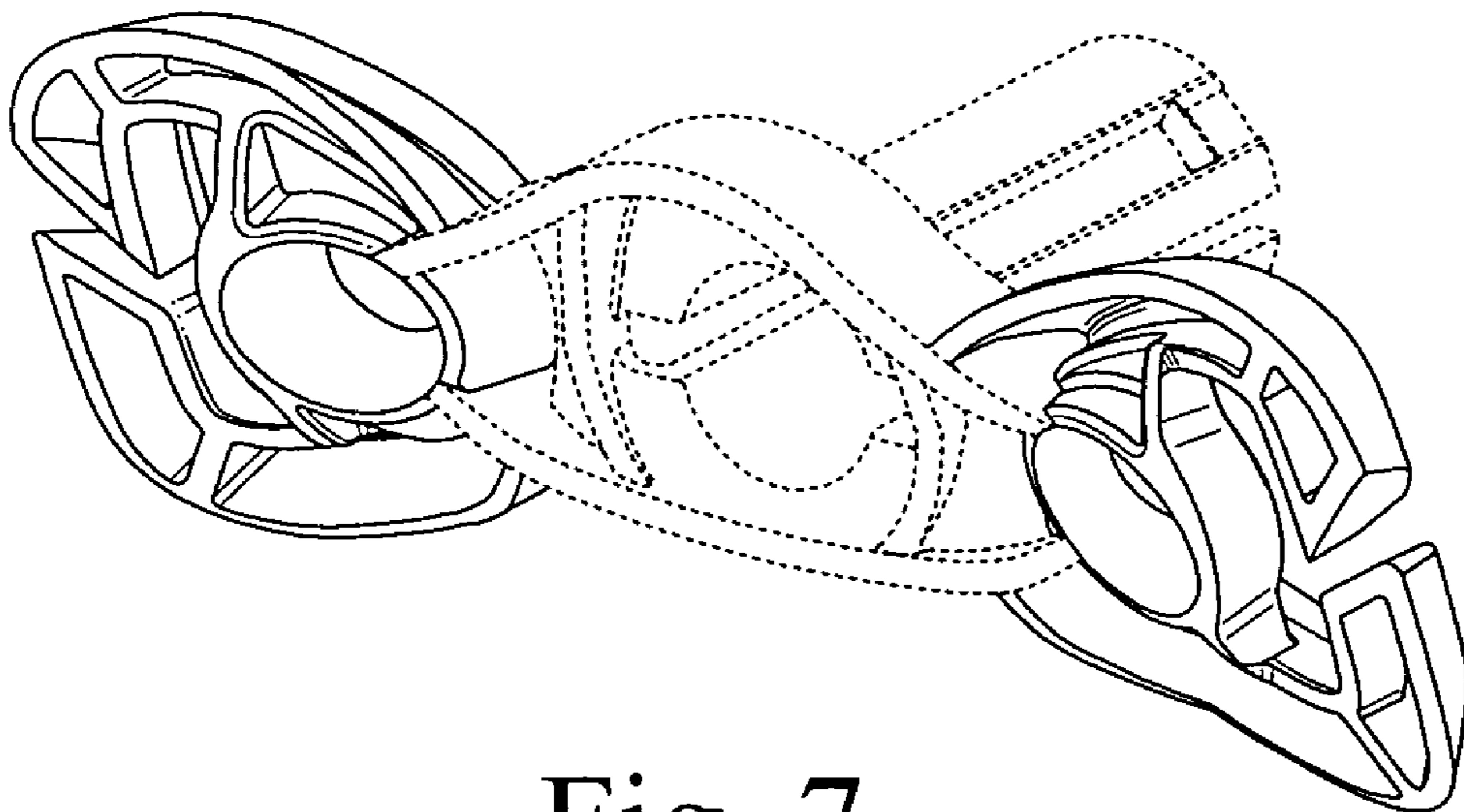


Fig. 7