



US00D614283S

(12) **United States Design Patent**
Ertze

(10) **Patent No.:** **US D614,283 S**

(45) **Date of Patent:** **** Apr. 20, 2010**

(54) **FAN BLADE BRACKET**

(75) Inventor: **Pablo J. Ertze**, Rancho Cucamonga, CA (US)

(73) Assignee: **Air Cool Industrial Co., Ltd.**, Taichung County (TW)

(**) Term: **14 Years**

(21) Appl. No.: **29/346,345**

(22) Filed: **Oct. 30, 2009**

(51) **LOC (9) Cl.** **23-04**

(52) **U.S. Cl.** **D23/411**

(58) **Field of Classification Search** D23/377,
D23/379, 385, 411, 413; 416/5
See application file for complete search history.

(56) **References Cited**

U.S. PATENT DOCUMENTS

D456,892 S * 5/2002 Hsieh D23/411
D531,302 S * 10/2006 Glasbrenner D23/411

* cited by examiner

Primary Examiner—Lisa P Lichtenstein

(74) *Attorney, Agent, or Firm*—Ming Chow; Sinorica, LLC

(57) **CLAIM**

I claim the ornamental design for a fan blade bracket, as shown and described.

DESCRIPTION

FIG. 1 is a front perspective view of a fan blade bracket showing my new design;

FIG. 2 is a front elevational view thereof;

FIG. 3 is a rear elevational view thereof.

FIG. 4 is a left side elevational view thereof;

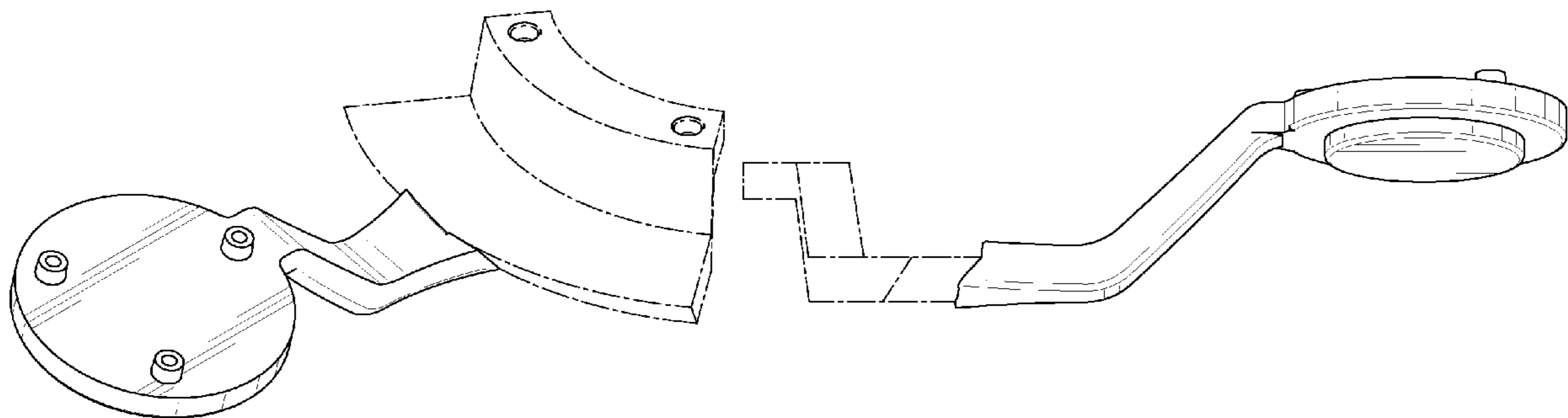
FIG. 5 is a right side elevational view thereof;

FIG. 6 is a top plan view thereof; and,

FIG. 7 is a bottom plan view thereof.

The broken line showing of the ceiling fan bracket attachment member is included for the purpose of illustrating environmental structure and forms no part of the claimed design.

1 Claim, 4 Drawing Sheets



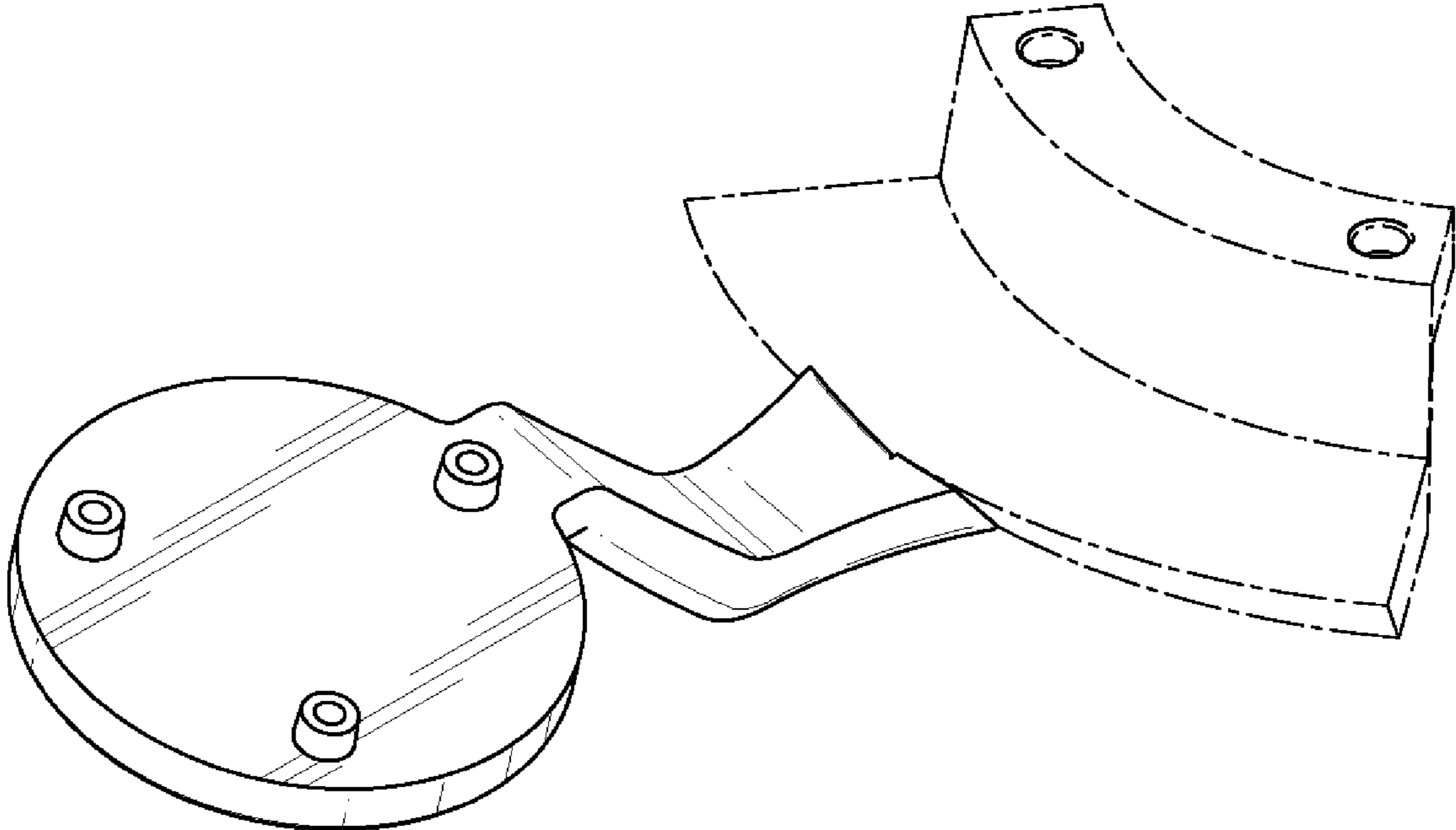


FIG. 1

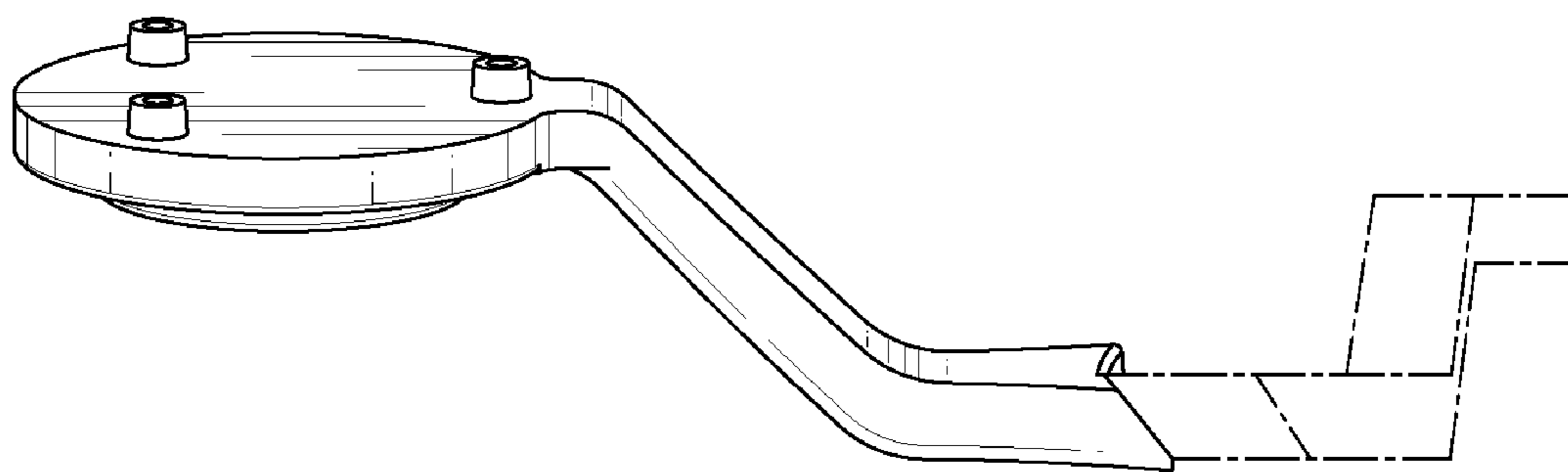


FIG. 2

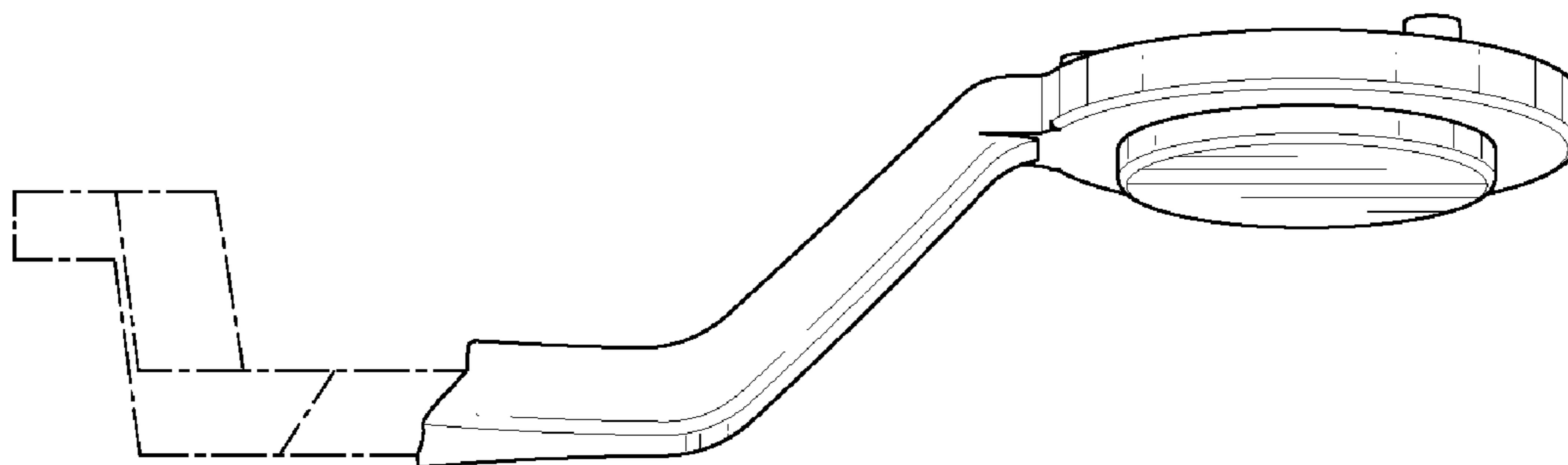


FIG. 3

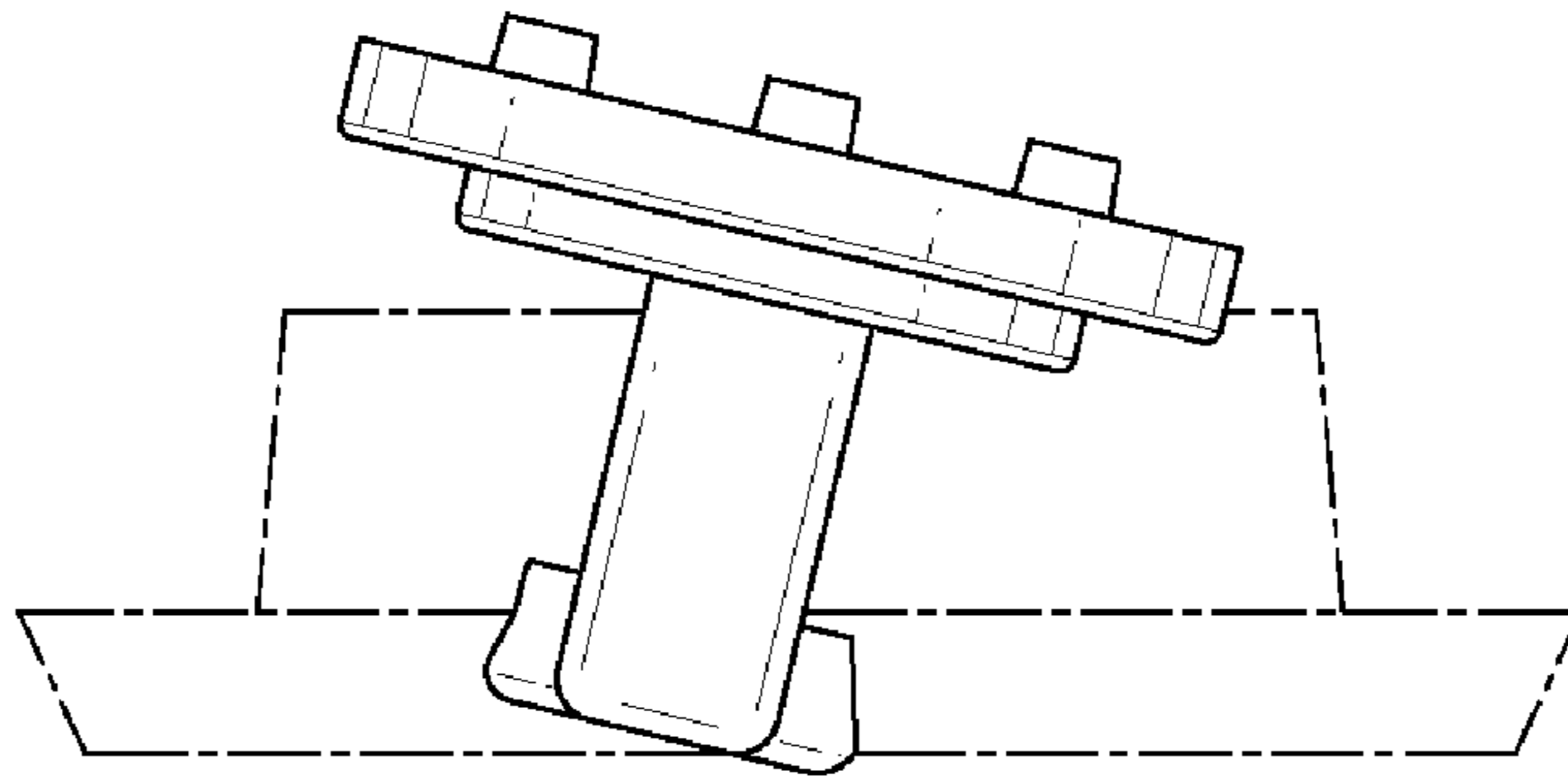


FIG. 4

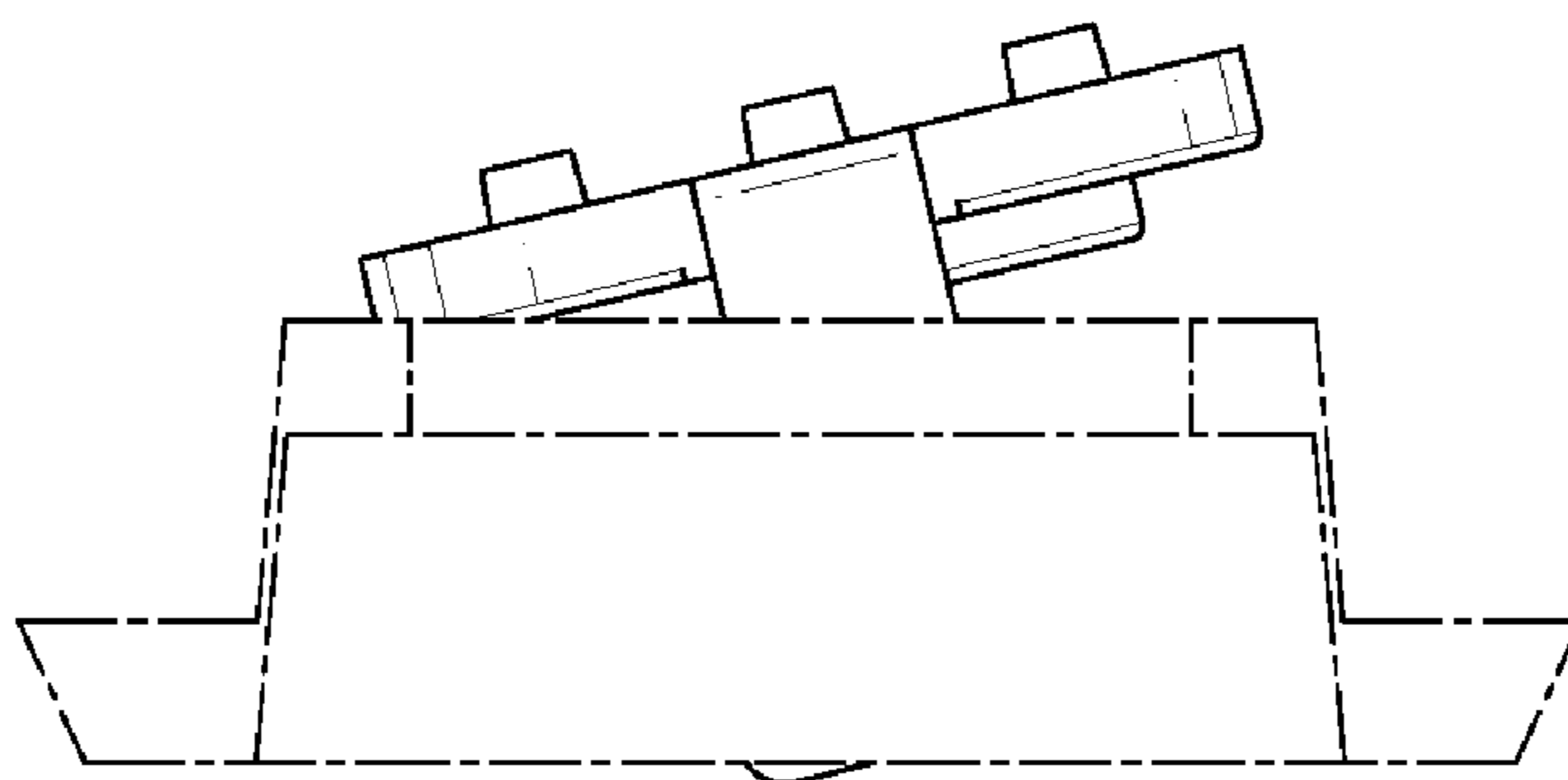


FIG. 5

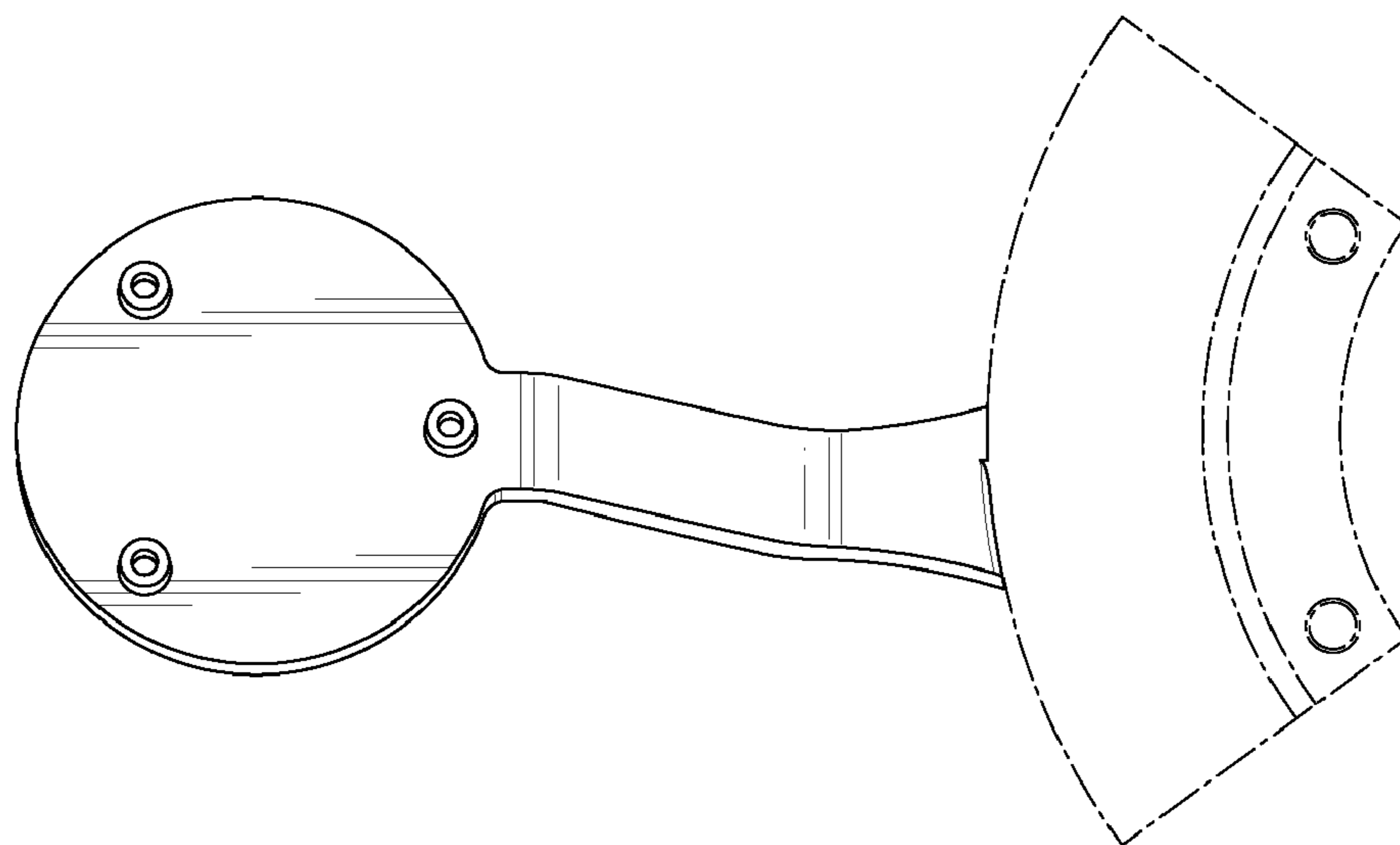


FIG. 6

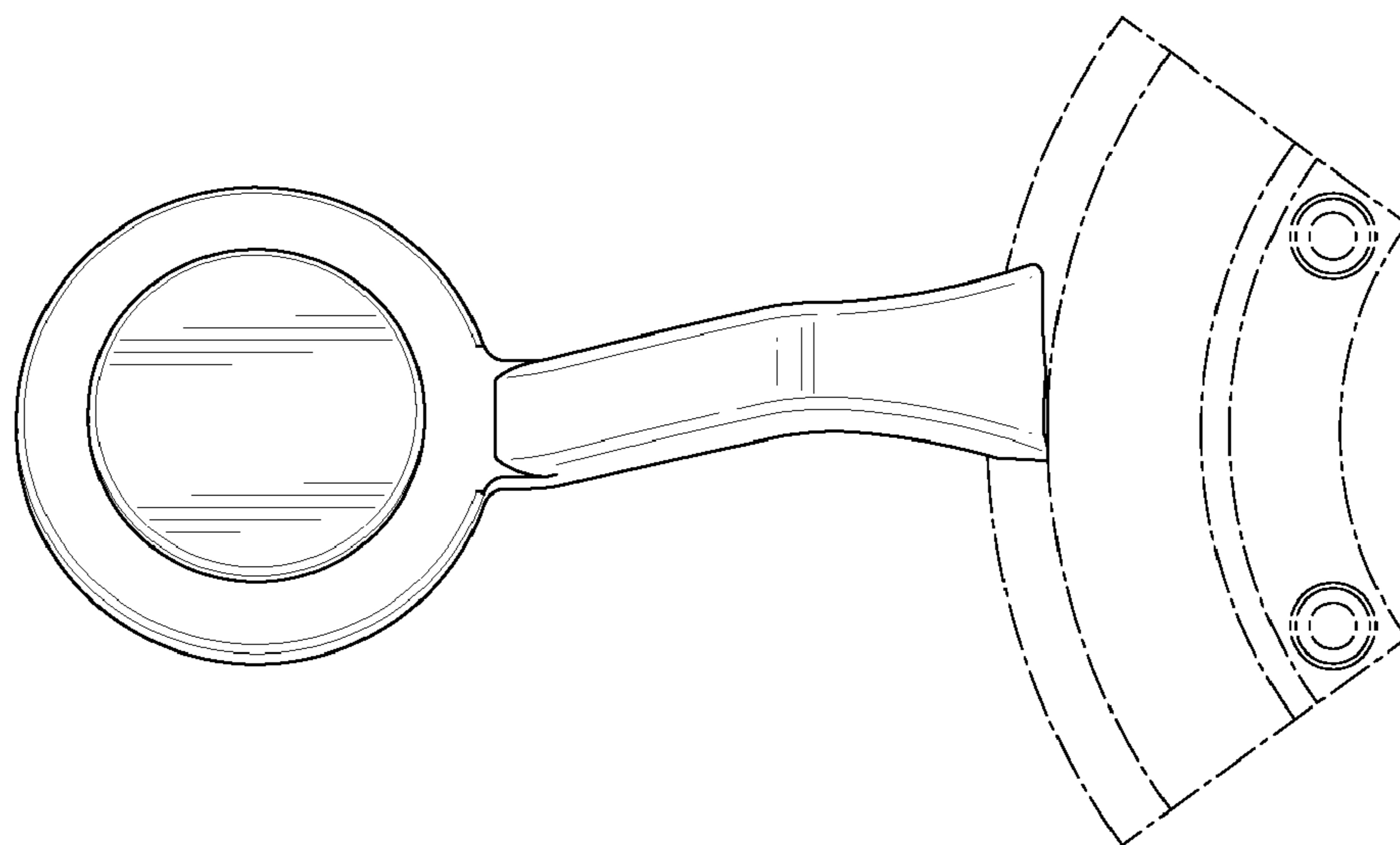


FIG. 7