



US00D614282S

(12) **United States Design Patent**
Betz et al.

(10) **Patent No.:** **US D614,282 S**
(45) **Date of Patent:** **** Apr. 20, 2010**

(54) **FIREPLACE GRATE UNIT**

(75) Inventors: **John G. Betz**, Berwyn, PA (US);
William Rhoads, Moorestown, NJ (US)

(73) Assignee: **Real-Look Log Set, LLC**, Berwyn, PA (US)

(**) Term: **14 Years**

(21) Appl. No.: **29/305,638**

(22) Filed: **Mar. 25, 2008**

(51) **LOC (9) Cl.** **23-03**

(52) **U.S. Cl.** **D23/409**

(58) **Field of Classification Search** D23/331,
D23/335-341, 343, 344, 346, 350, 386, 387,
D23/390, 391, 393, 396-410, 415-421, 499;
D7/402, 407, 408; 126/12, 13.29, 44, 58,
126/92 AC, 144, 152 R, 215, 218, 219, 242,
126/243, 245, 500, 501, 509, 510, 544, 546,
126/548; 428/15, 21, 102; 431/125, 258,
431/268, 298, 302

See application file for complete search history.

(56) **References Cited**

U.S. PATENT DOCUMENTS

- D71,999 S * 2/1927 Brown D23/409
- D73,867 S * 11/1927 Relyea D23/409
- 2,302,796 A * 11/1942 Oyster 126/92 R
- D226,314 S 2/1973 Conroy et al.
- D228,765 S 10/1973 Henry
- D241,408 S * 9/1976 Matchulat D23/409
- D245,993 S * 10/1977 Anderson et al. D23/399
- 4,161,168 A * 7/1979 Cagle 126/524
- 4,305,375 A * 12/1981 George 126/540
- D267,223 S * 12/1982 Hassett et al. D23/398
- 4,838,240 A 6/1989 Rieger
- 4,889,375 A * 12/1989 Leu 294/10
- D320,651 S * 10/1991 Thow D23/409
- 5,067,476 A 11/1991 Rhodes, Jr.
- 5,069,200 A 12/1991 Thow et al.
- 5,118,539 A 6/1992 Sebby et al.
- D345,416 S * 3/1994 Steele et al. D23/398

- 5,435,295 A 7/1995 Gerrard
- 5,452,709 A * 9/1995 Mealer 126/512
- 5,688,568 A 11/1997 Wolf et al.
- D387,854 S * 12/1997 Newman et al. D23/409
- 5,786,045 A 7/1998 Gerth et al.
- D400,243 S 10/1998 Newman et al.
- D426,297 S 6/2000 Phippen
- 6,102,032 A * 8/2000 Sebby et al. 126/501
- 6,363,927 B2 4/2002 Haynes et al.
- 6,871,644 B2 * 3/2005 Chandaria 126/540
- 6,886,555 B2 5/2005 Lee
- 6,968,839 B2 * 11/2005 Lee 126/543

(Continued)

Primary Examiner—T. Chase Nelson
Assistant Examiner—Karen Acker
(74) *Attorney, Agent, or Firm*—Lieberman & Brandsdorfer, LLC

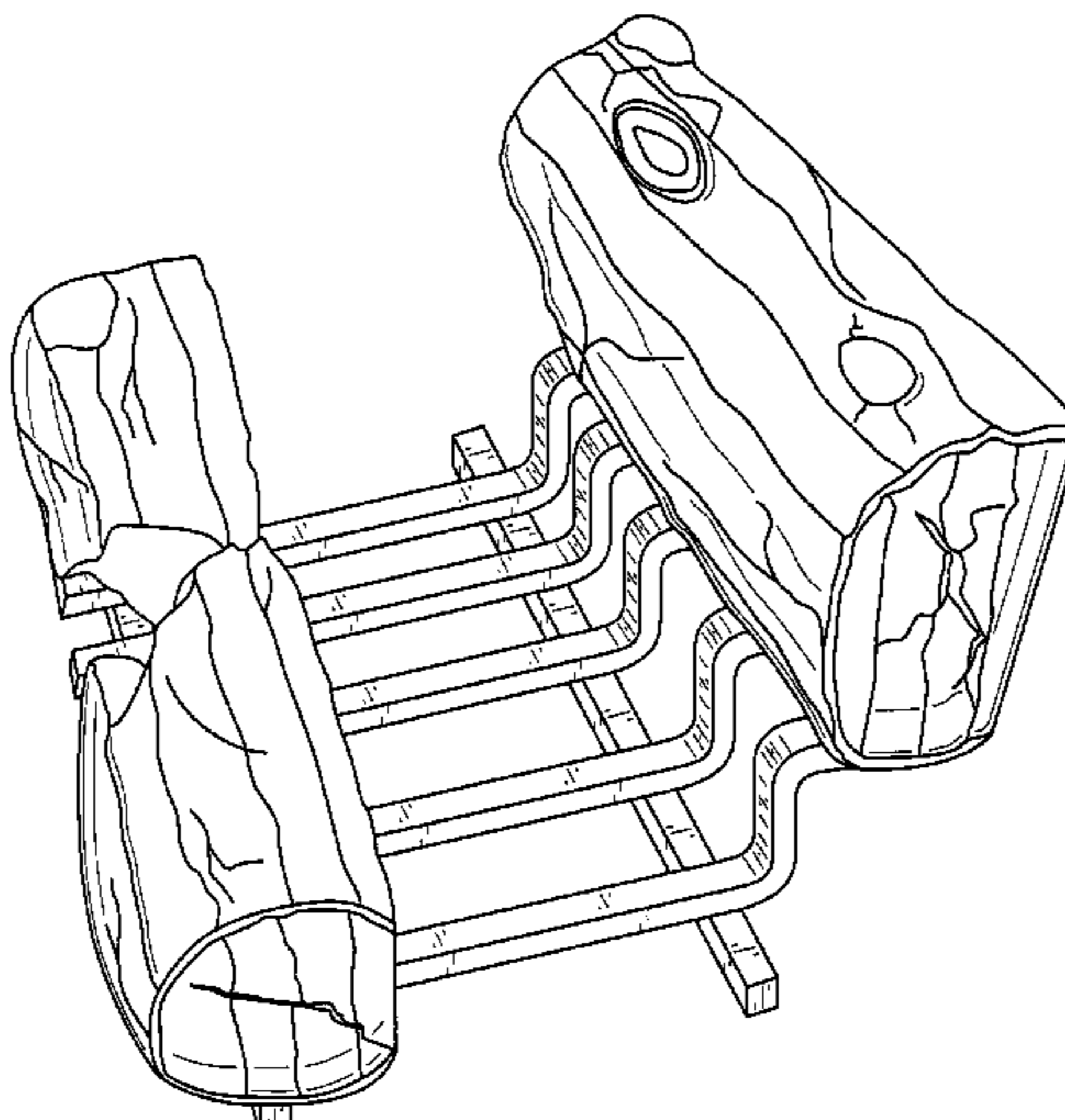
(57) **CLAIM**

The ornamental design for a fireplace grate unit, as shown and described.

DESCRIPTION

FIG. 1 is a perspective view of fireplace grate unit, showing the new design;
FIG. 2 is a front elevational view taken from FIG. 1;
FIG. 3 is a back elevational view taken from FIG. 1;
FIG. 4 is a right side elevational view taken from FIG. 1;
FIG. 5 is a top plan view taken from FIG. 1; and,
FIG. 6 is a bottom plan view taken from FIG. 1.

1 Claim, 5 Drawing Sheets



US D614,282 S

Page 2

U.S. PATENT DOCUMENTS

2003/0198908	A1	10/2003	Berthold et al.	2006/0037603	A1	2/2006	Hoffman et al.	
2005/0150487	A1	7/2005	Weinberger	2006/0157049	A1	7/2006	Weinberger	
2005/0247302	A1	11/2005	Weinberger	2009/0050132	A1*	2/2009	Betz et al.	126/540

* cited by examiner

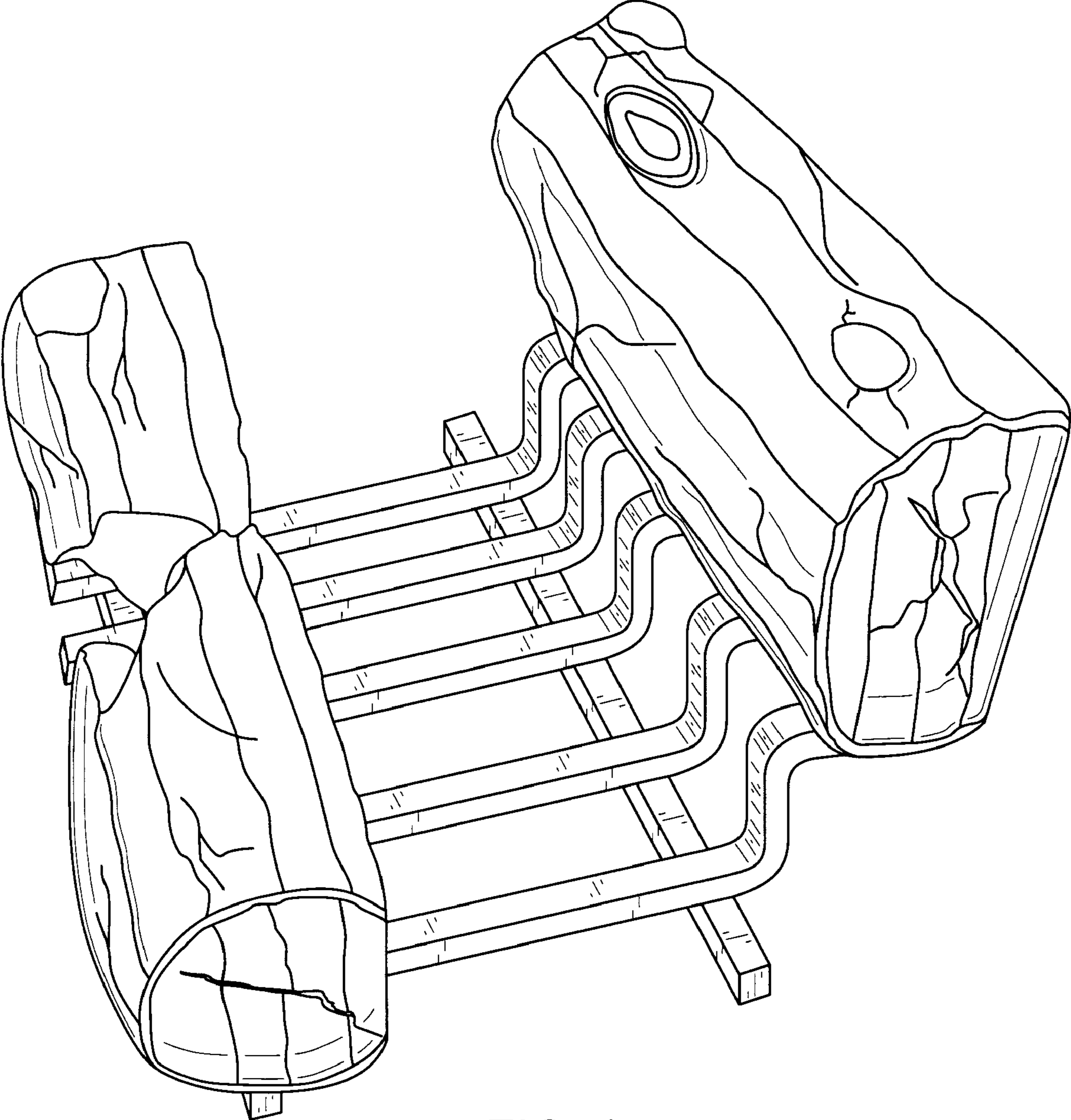


FIG. 1

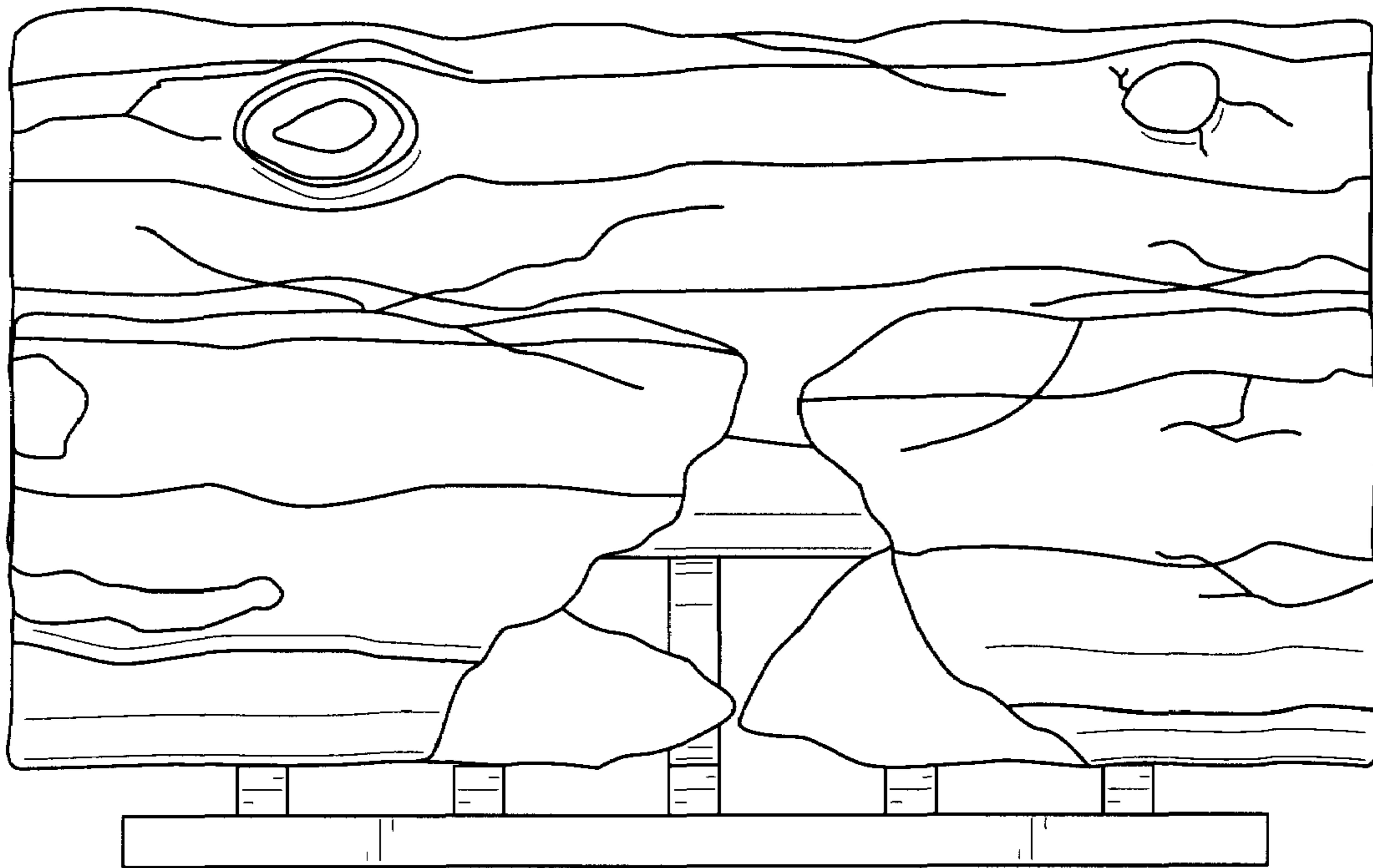


FIG. 2

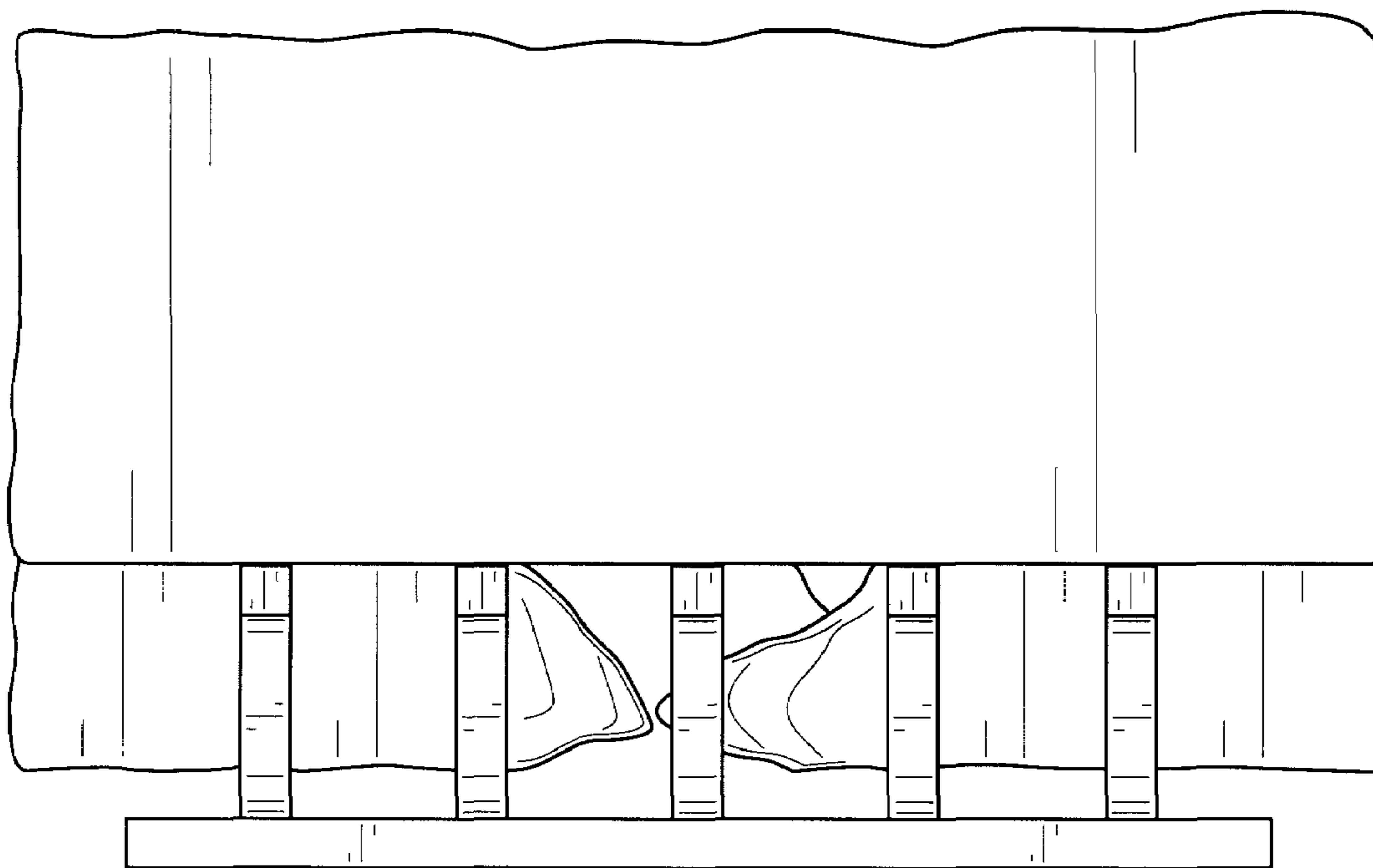


FIG. 3

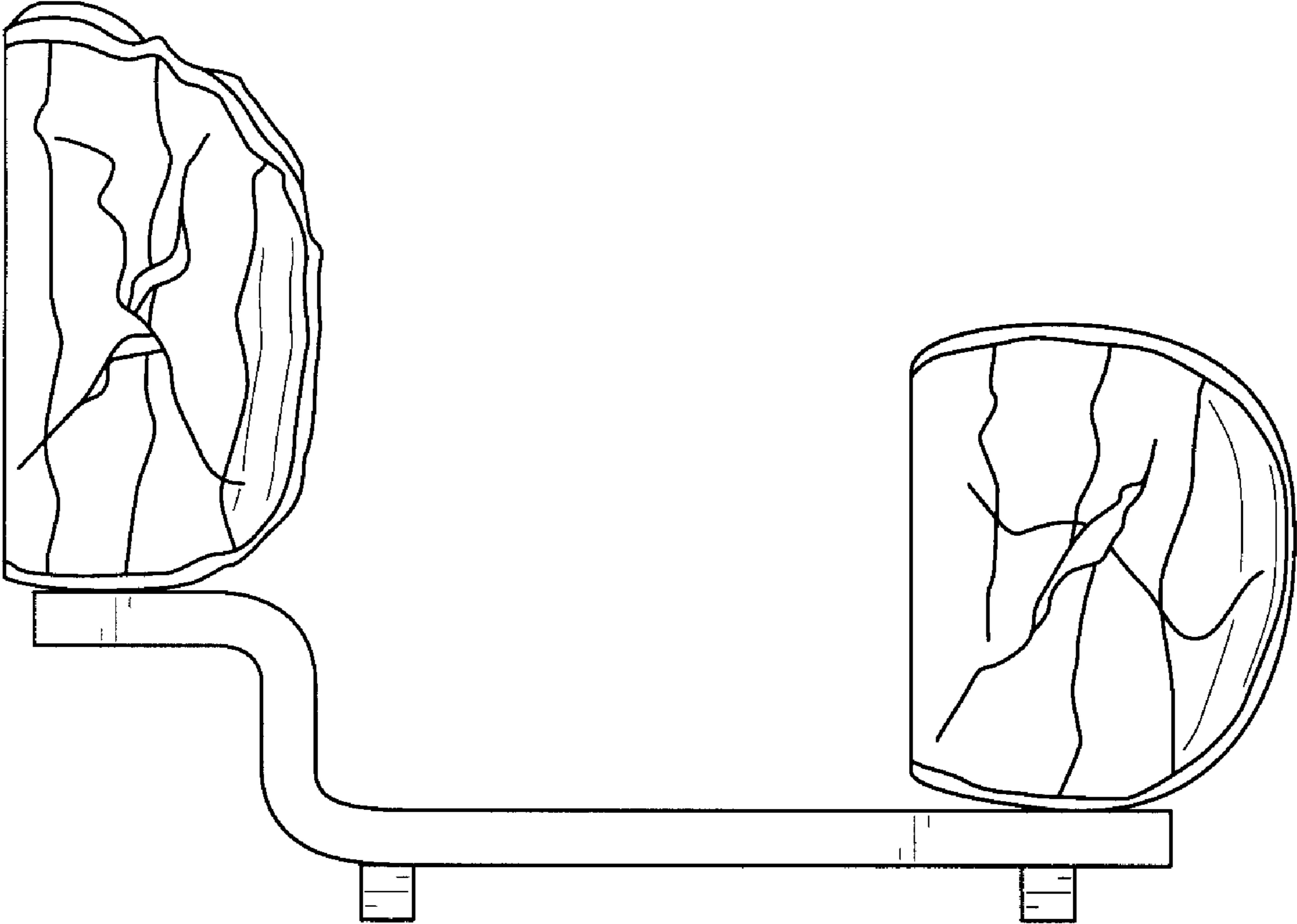


FIG. 4

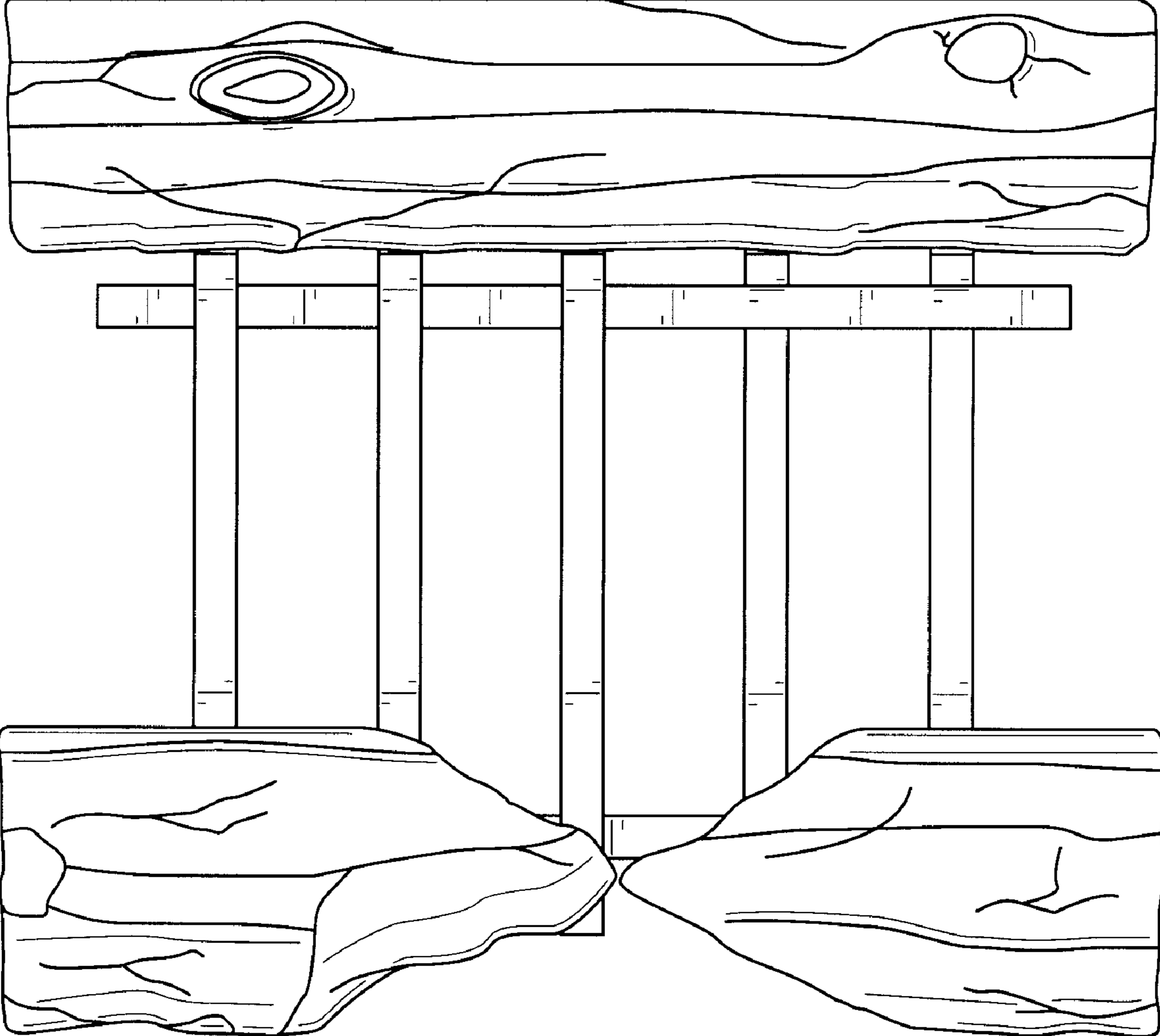


FIG. 5

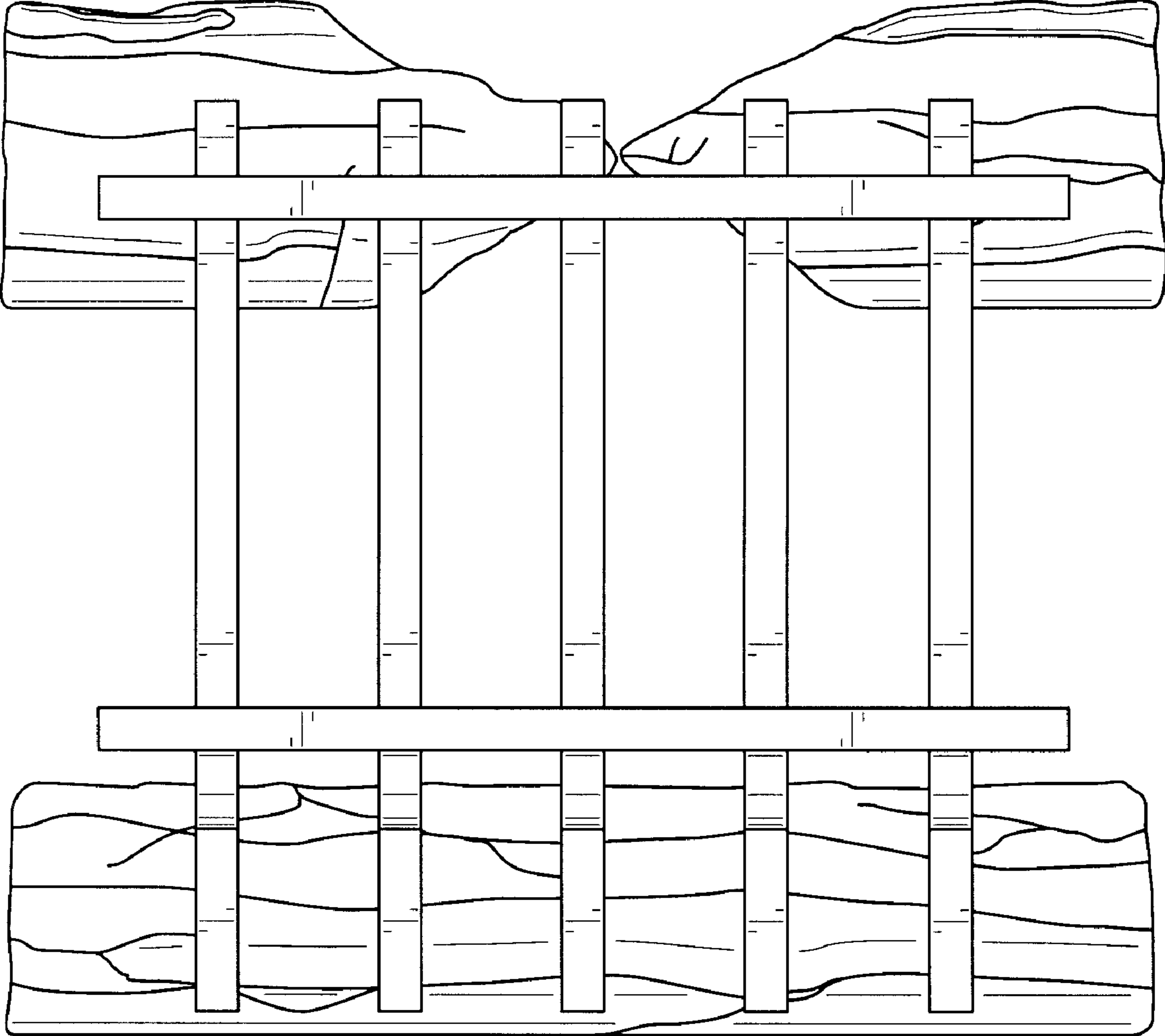


FIG. 6