



US00D614280S

(12) **United States Design Patent**  
**Dyson et al.**

(10) **Patent No.:** **US D614,280 S**  
(45) **Date of Patent:** **\*\* Apr. 20, 2010**

(54) **FAN**

2009/0060711 A1 3/2009 Gammack et al.

(75) Inventors: **James Dyson**, Malmesbury (GB); **Peter David Gammack**, Malmesbury (GB)

FOREIGN PATENT DOCUMENTS

DE	1291090	3/1969
DE	19510397	3/1995
GB	1501473	2/1978
GB	2236804	4/1991
GB	2242935	10/1991
JP	56-167897	12/1981

(73) Assignee: **Dyson Limited**, Witshire (GB)

(\*\*) Term: **14 Years**

(21) Appl. No.: **29/336,687**

OTHER PUBLICATIONS

(22) Filed: **May 7, 2009**

GB Search Report directed to related application GB0717151.5 mailed on Dec. 17, 2007; (2 pages).  
GB Search Report directed to related application GB0717155.6 mailed on Dec. 19, 2007; (2 pages).  
GB Search Report directed to related application GB0717154.9 mailed on Dec. 17, 2007; (2 pages).

(30) **Foreign Application Priority Data**

Nov. 7, 2008 (GB) ..... 4009465

(Continued)

(51) **LOC (9) Cl.** ..... **23-04**

(52) **U.S. Cl.** ..... **D23/370**

(58) **Field of Classification Search** ..... D23/382,  
D23/381, 370, 413, 411, 412, 378; 416/244 R,  
416/246, 247 R; D6/309

*Primary Examiner*—Lisa P Lichtenstein  
(74) *Attorney, Agent, or Firm*—Morrison & Foerster LLP

See application file for complete search history.

(57) **CLAIM**

(56) **References Cited**

We claim the ornamental design for a fan, as shown and described.

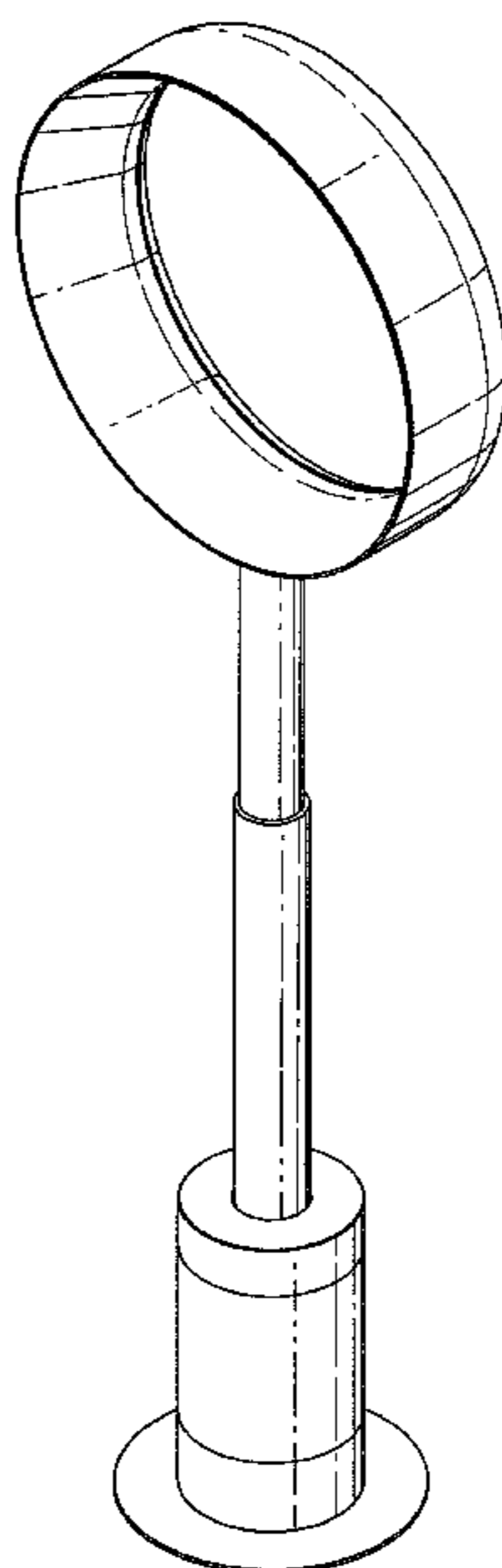
U.S. PATENT DOCUMENTS

**DESCRIPTION**

1,767,060 A	6/1930	Ferguson	
D103,476 S	3/1937	Weber	
D115,344 S *	6/1939	Chapman	..... D23/411
2,433,795 A	12/1947	Stokes	
2,488,467 A	11/1949	De Lisio	
D206,973 S	2/1967	De Lisio	
5,881,685 A	3/1999	Foss et al.	
D415,271 S *	10/1999	Feer	..... D23/411
6,073,881 A	6/2000	Chen	
D429,808 S *	8/2000	Krauss et al.	..... D23/411
6,123,618 A	9/2000	Day	
D435,899 S *	1/2001	Melwani	..... D23/382
D485,895 S *	1/2004	Melwani	..... D23/370
D539,414 S	3/2007	Russak et al.	
2009/0060710 A1	3/2009	Gammack et al.	

FIG. 1 is a front perspective view of a fan showing our new design;  
FIG. 2 is a front view thereof;  
FIG. 3 is a rear view thereof;  
FIG. 4 is a side view thereof;  
FIG. 5 is a side view from the opposite side of FIG. 5;  
FIG. 6 is a top plan view thereof; and,  
FIG. 7 is an underneath plan view thereof.

**1 Claim, 5 Drawing Sheets**



OTHER PUBLICATIONS

GB Search Report directed to related application GB0717148.1 mailed on Dec. 20, 2007; (1 page).

International Search Report and Written Opinion mailed Oct. 29, 2008, directed to related International Patent Application No. PCT/GB2008/002891; (11 pages).

International Search Report and Written Opinion mailed Oct. 31, 2008, directed to related International Patent Application No. PCT/GB2008/002874; (9 pages).

Gammack et al., U.S. Office Action mailed Jun. 15, 2009, directed to U.S. Appl. No. 29/328,939; (5 pages).

\* cited by examiner

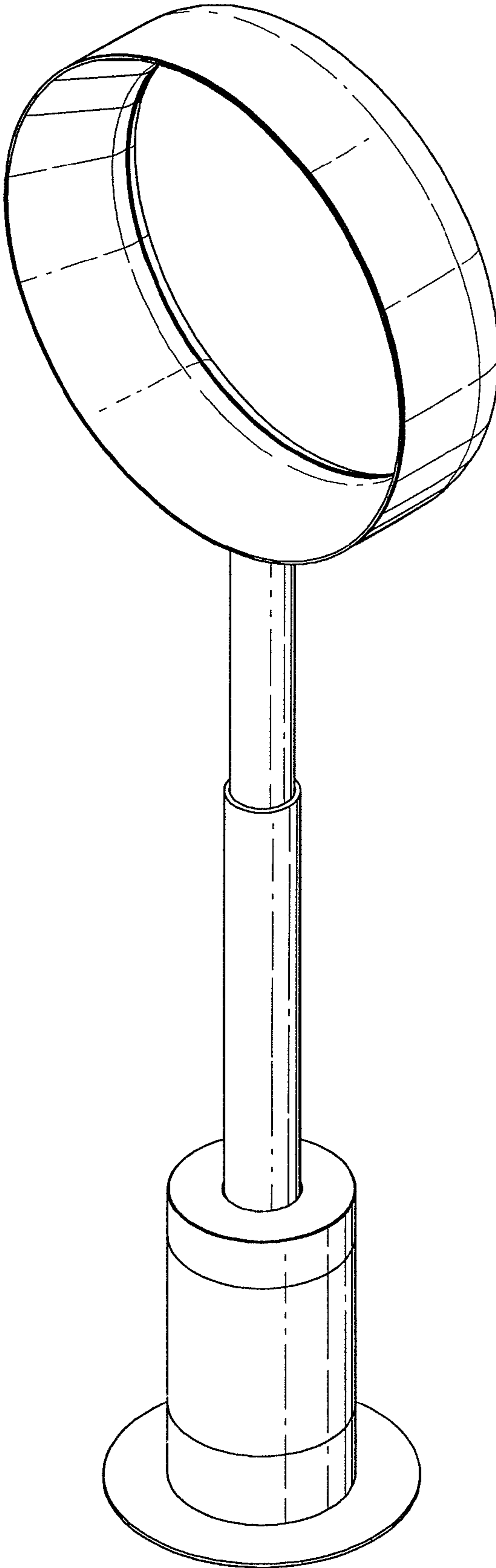


FIG. 1

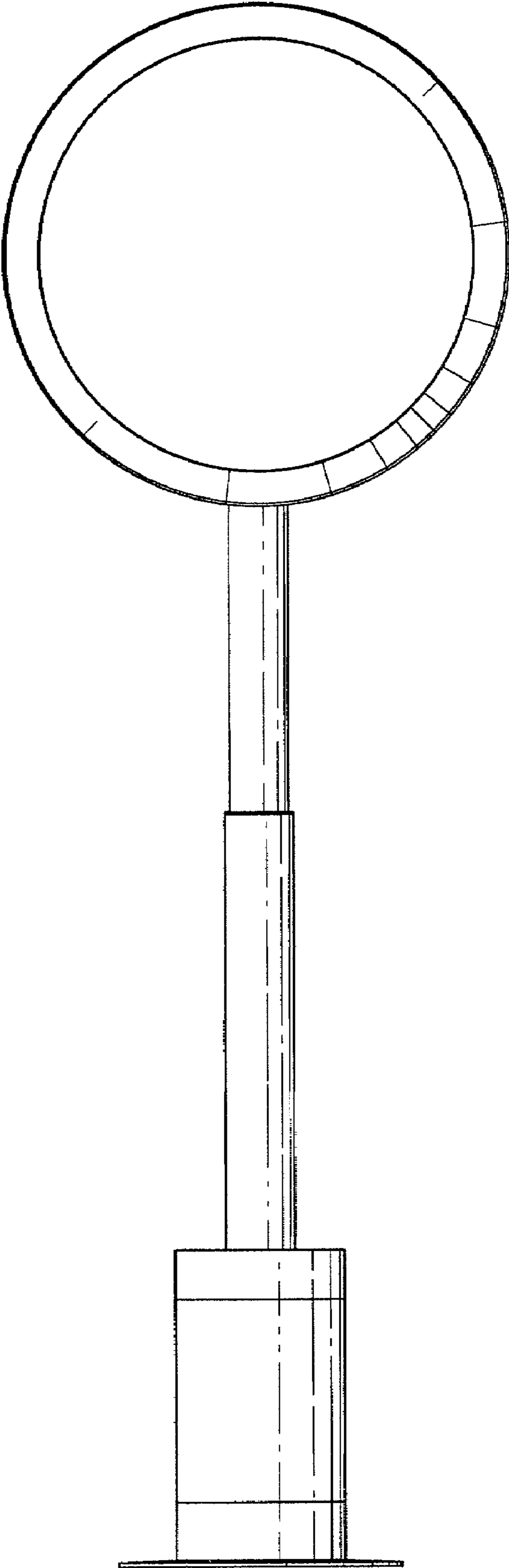


FIG. 2

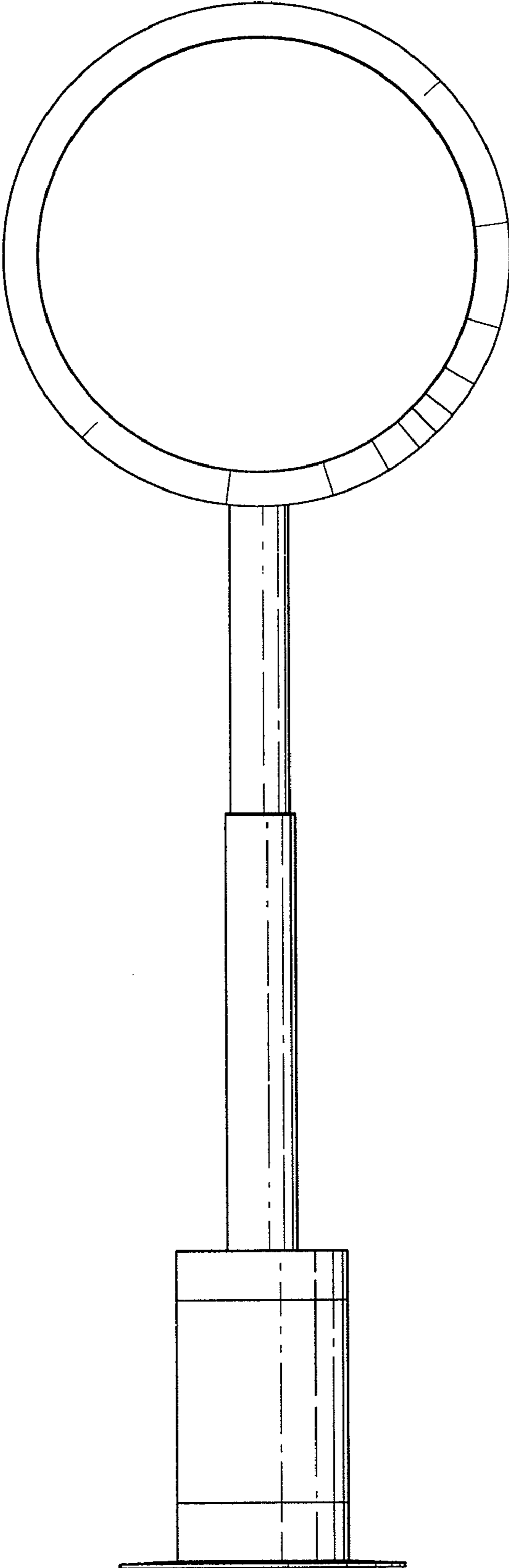


FIG. 3

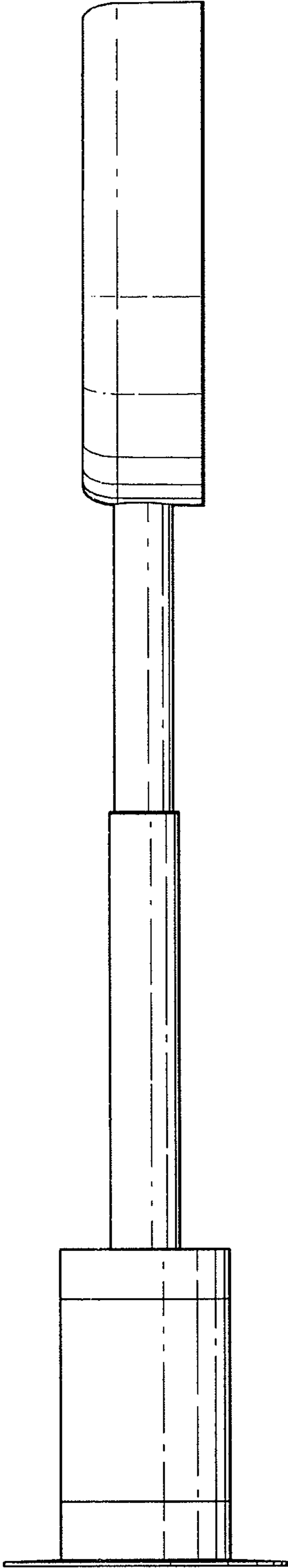


FIG. 4

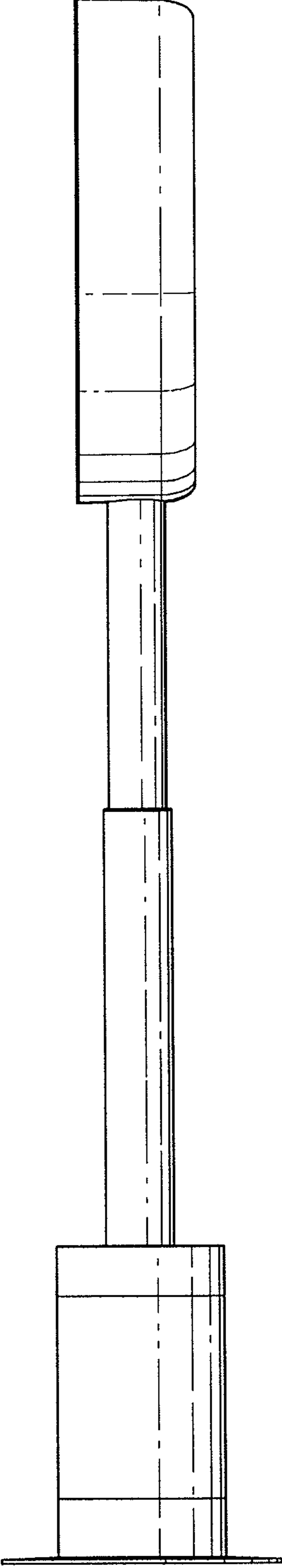


FIG. 5

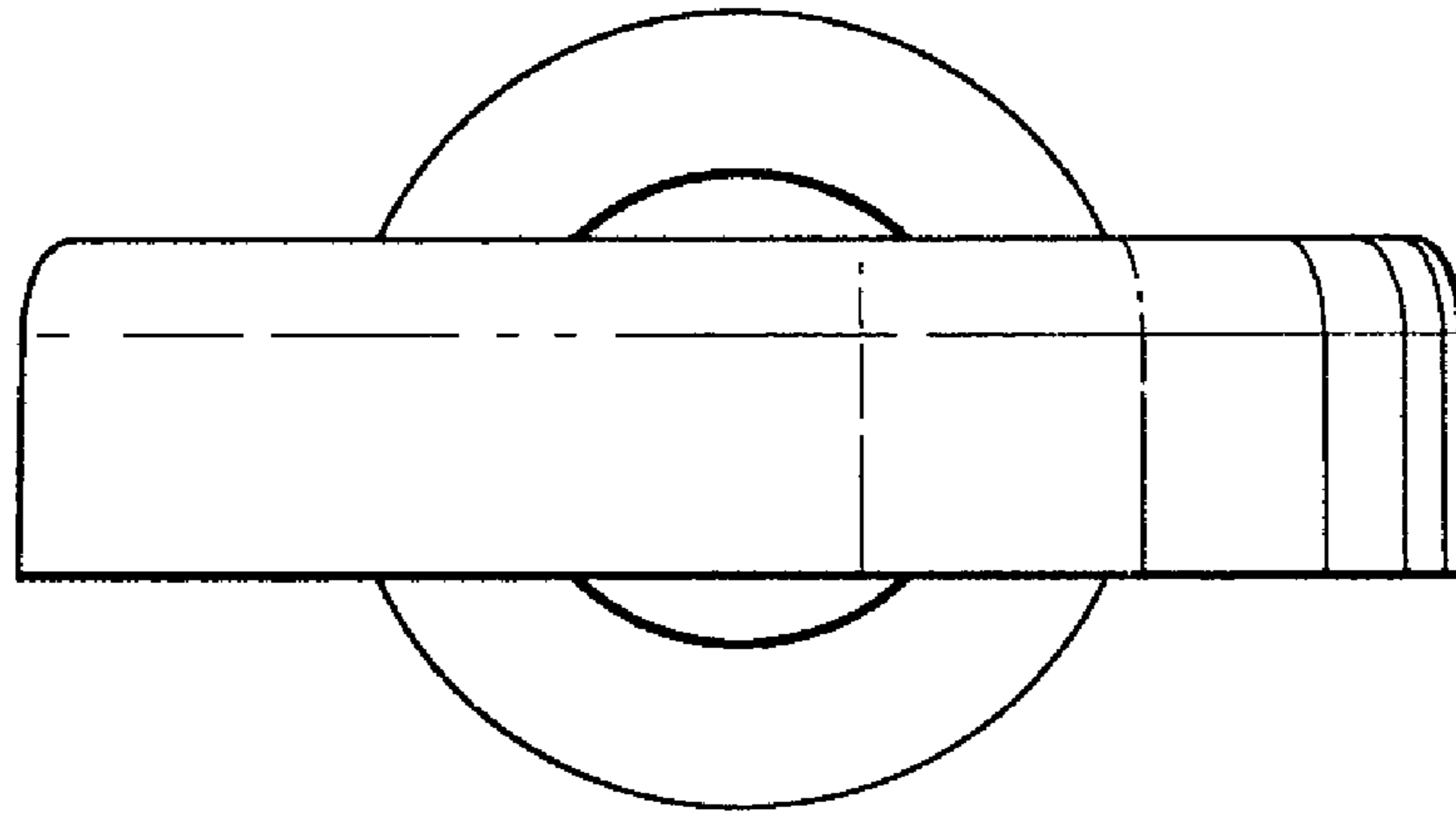


FIG. 6

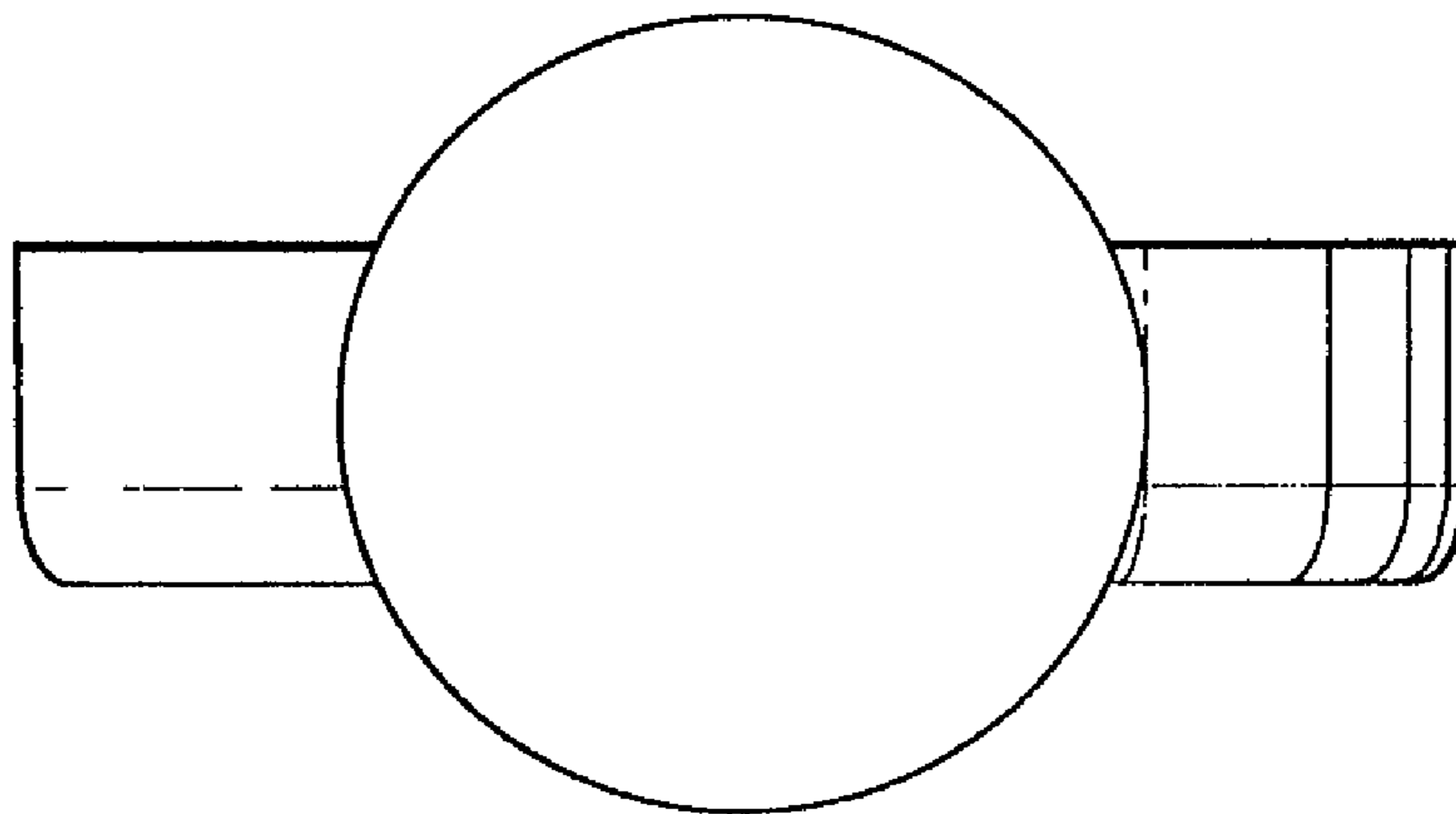


FIG. 7