



US00D614278S

(12) **United States Design Patent**  
**Schwartz et al.**

(10) **Patent No.:** **US D614,278 S**  
(45) **Date of Patent:** **\*\* Apr. 20, 2010**

(54) **AIR FRESHENER CASE**

(75) Inventors: **Keara Elyse Schwartz**, Cincinnati, OH (US); **Ada Ho Yau Ko**, Cincinnati, OH (US); **Robert Allen Godfroid**, Cincinnati, OH (US); **John William Koenig**, Cincinnati, OH (US); **Michael Thomas Roller**, Covington, KY (US)

(73) Assignee: **The Procter & Gamble Company**, Cincinnati, OH (US)

(\*\*) Term: **14 Years**

(21) Appl. No.: **29/351,641**

(22) Filed: **Dec. 9, 2009**

**Related U.S. Application Data**

(60) Division of application No. 29/335,455, filed on Apr. 16, 2009, now Pat. No. Des. 609,322, which is a continuation-in-part of application No. 29/328,119, filed on Nov. 19, 2008, now Pat. No. Des. 596,281.

(51) **LOC (9) Cl.** ..... **28-99**

(52) **U.S. Cl.** ..... **D23/366**

(58) **Field of Classification Search** ..... D23/355-369; D28/5, 6; 261/DIG. 17, DIG. 42, DIG. 65, 261/DIG. 88, DIG. 89; 392/386, 390, 391, 392/392, 394, 395, 389, 393; 239/34, 35, 239/43-45, 53, 56, 57, 60, 326, 42, 50, 55  
See application file for complete search history.

(56) **References Cited**

**U.S. PATENT DOCUMENTS**

D395,146 S \* 6/1998 Miller et al. .... D23/364

D496,720 S \* 9/2004 Dudley ..... D23/365  
D504,943 S \* 5/2005 Dudley ..... D23/365  
D508,285 S \* 8/2005 Velicescu ..... D23/366  
D509,578 S \* 9/2005 Yao ..... D23/364  
D510,422 S \* 10/2005 Schriener et al. .... D23/366  
D544,087 S \* 6/2007 Baraky et al. .... D23/366  
D570,980 S \* 6/2008 Isono et al. .... D23/366  
D585,536 S \* 1/2009 Wang ..... D23/364  
D596,281 S \* 7/2009 Schwartz et al. .... D23/366

\* cited by examiner

*Primary Examiner*—Sandra Snapp

(74) *Attorney, Agent, or Firm*—Amy I. Ahn-Roll

(57) **CLAIM**

The ornamental design for an air freshener case, as shown and described.

**DESCRIPTION**

FIG. 1 is a perspective view of an embodiment of an air freshener case according to the present invention;

FIG. 2 is a front view thereof;

FIG. 3 is a rear view thereof;

FIG. 4 is a left side view thereof;

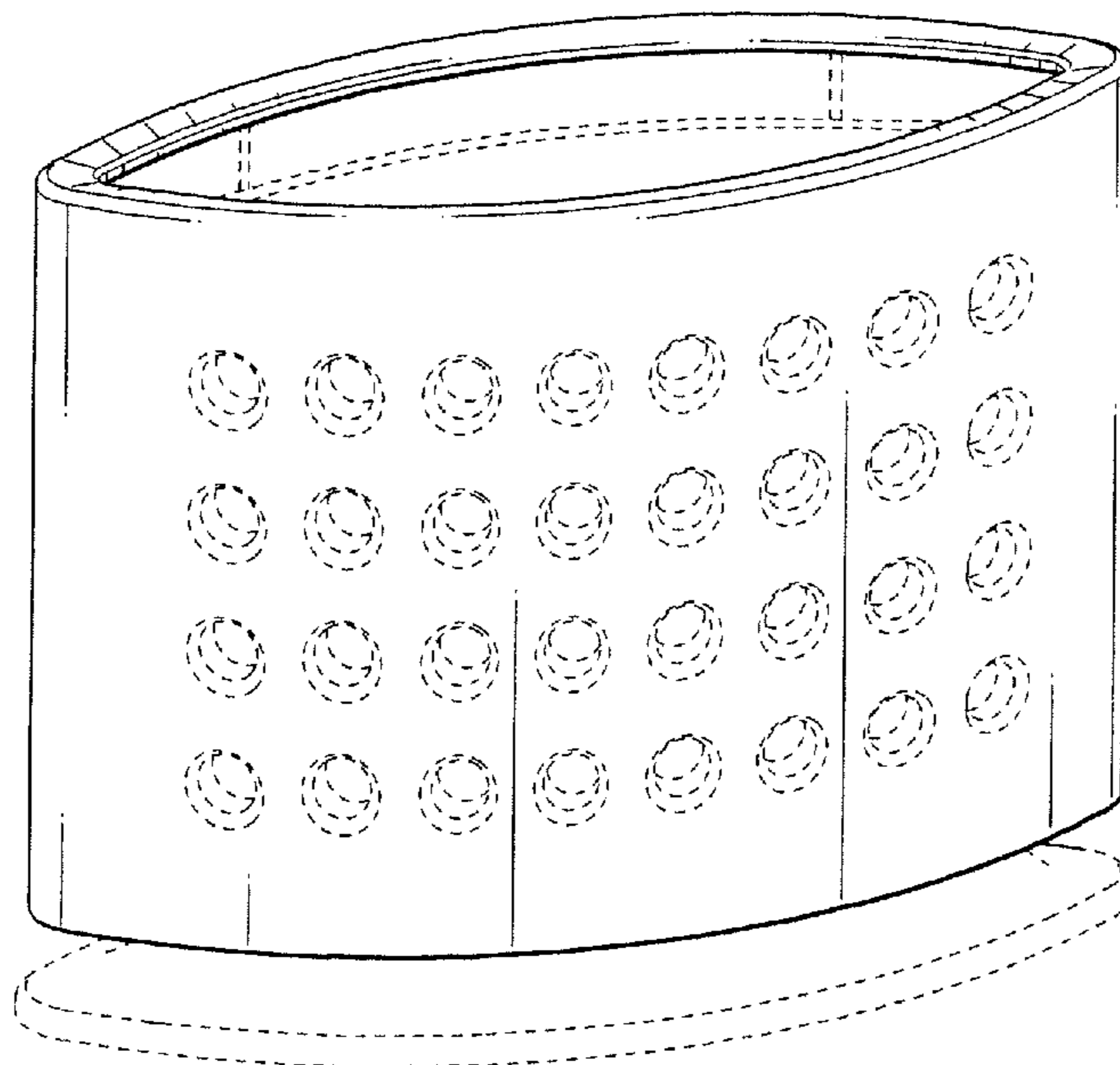
FIG. 5 is a right side view thereof;

FIG. 6 is a top view thereof; and,

FIG. 7 is a bottom view thereof.

The broken lines shown in the drawings are for illustrative purposes only and form no part of the claimed design.

**1 Claim, 3 Drawing Sheets**



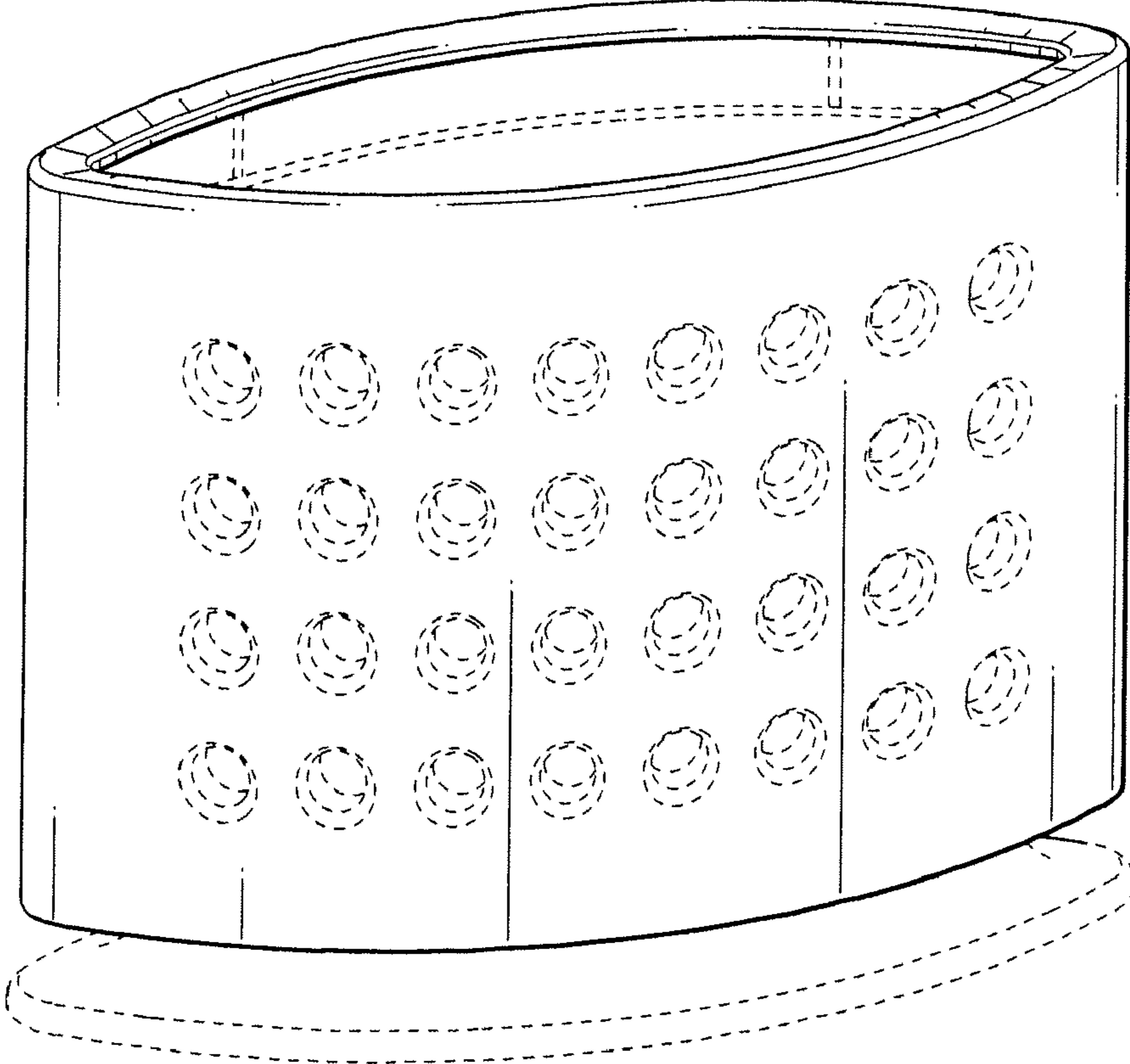


FIG. 1

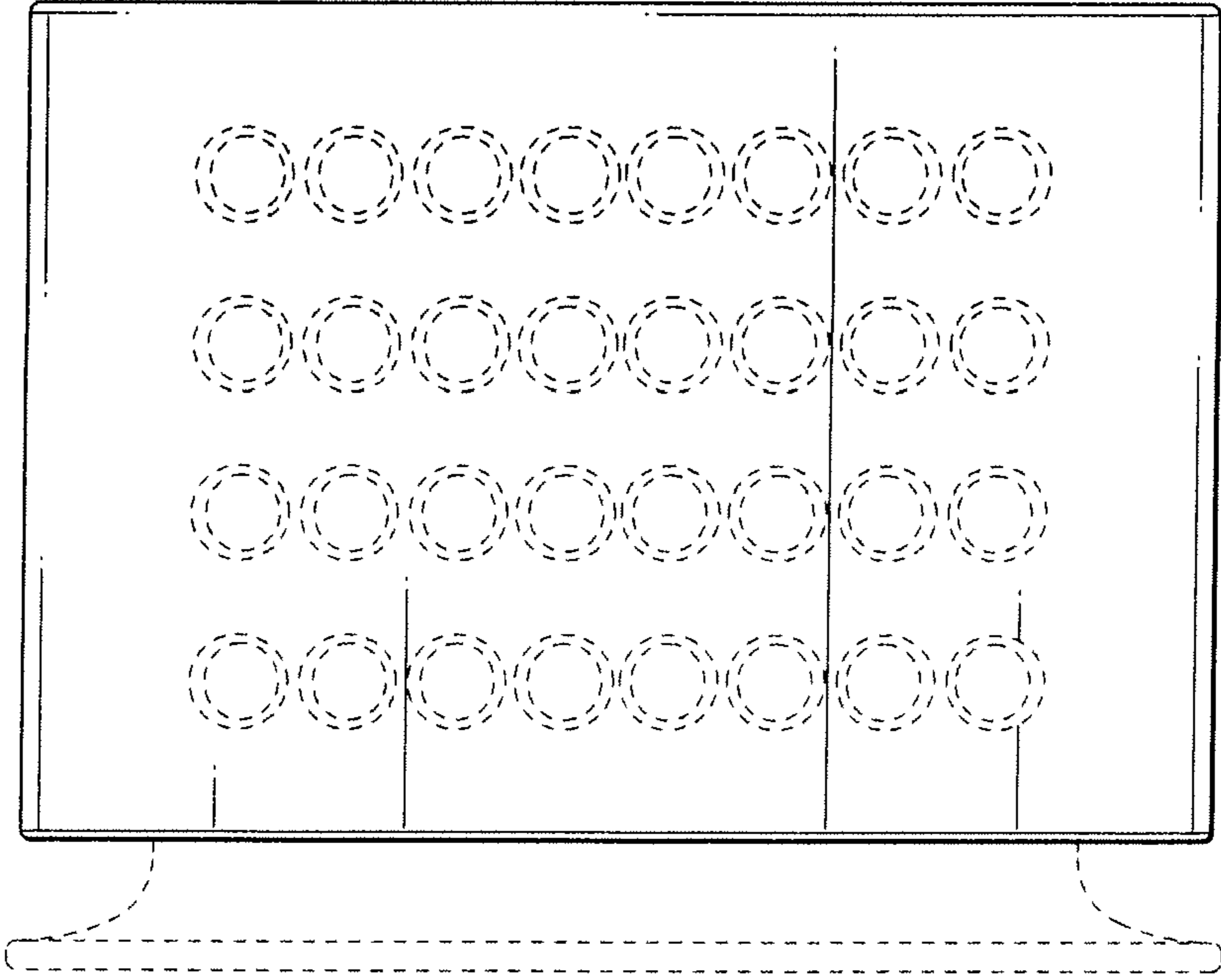


FIG. 2

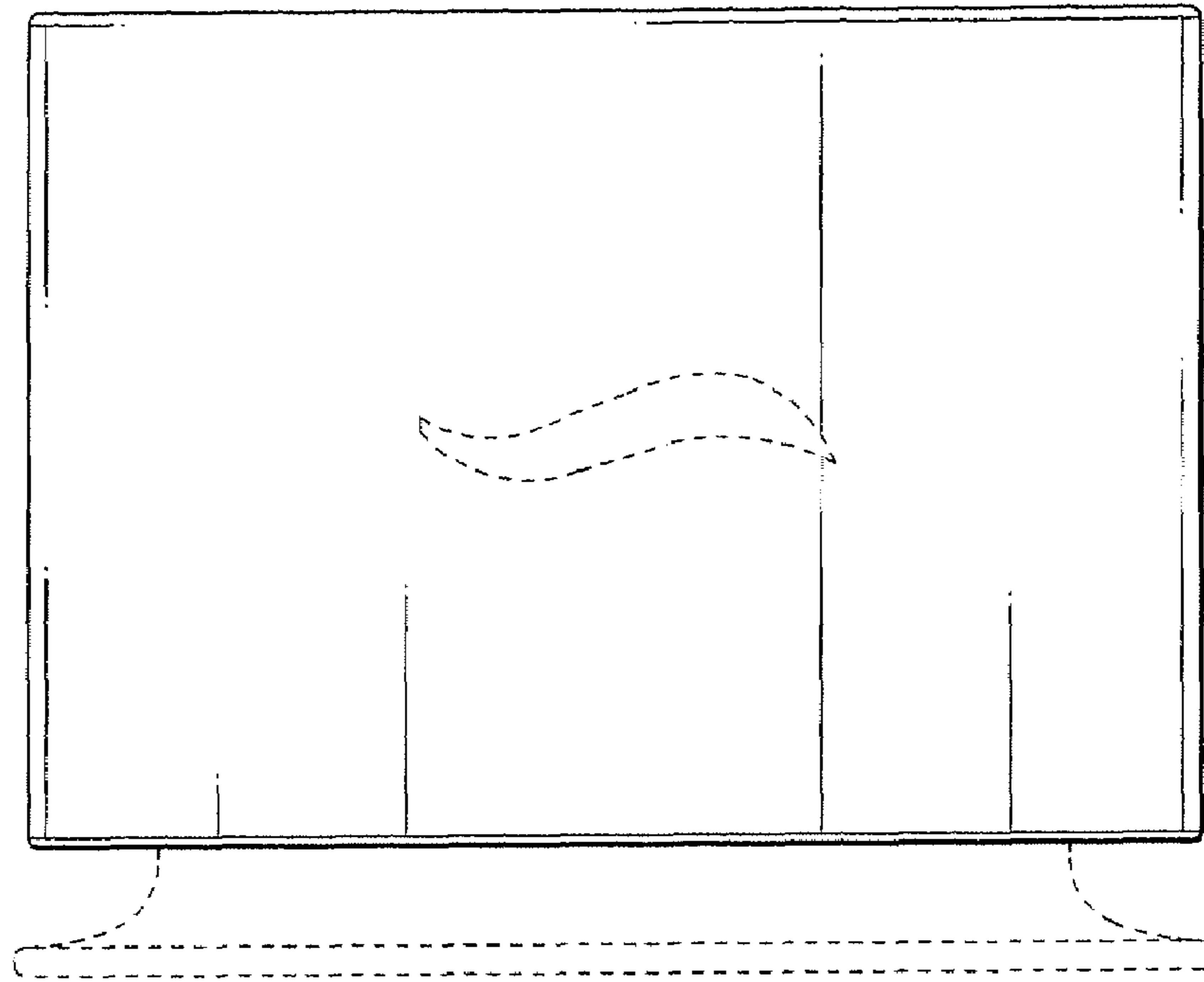


FIG. 3

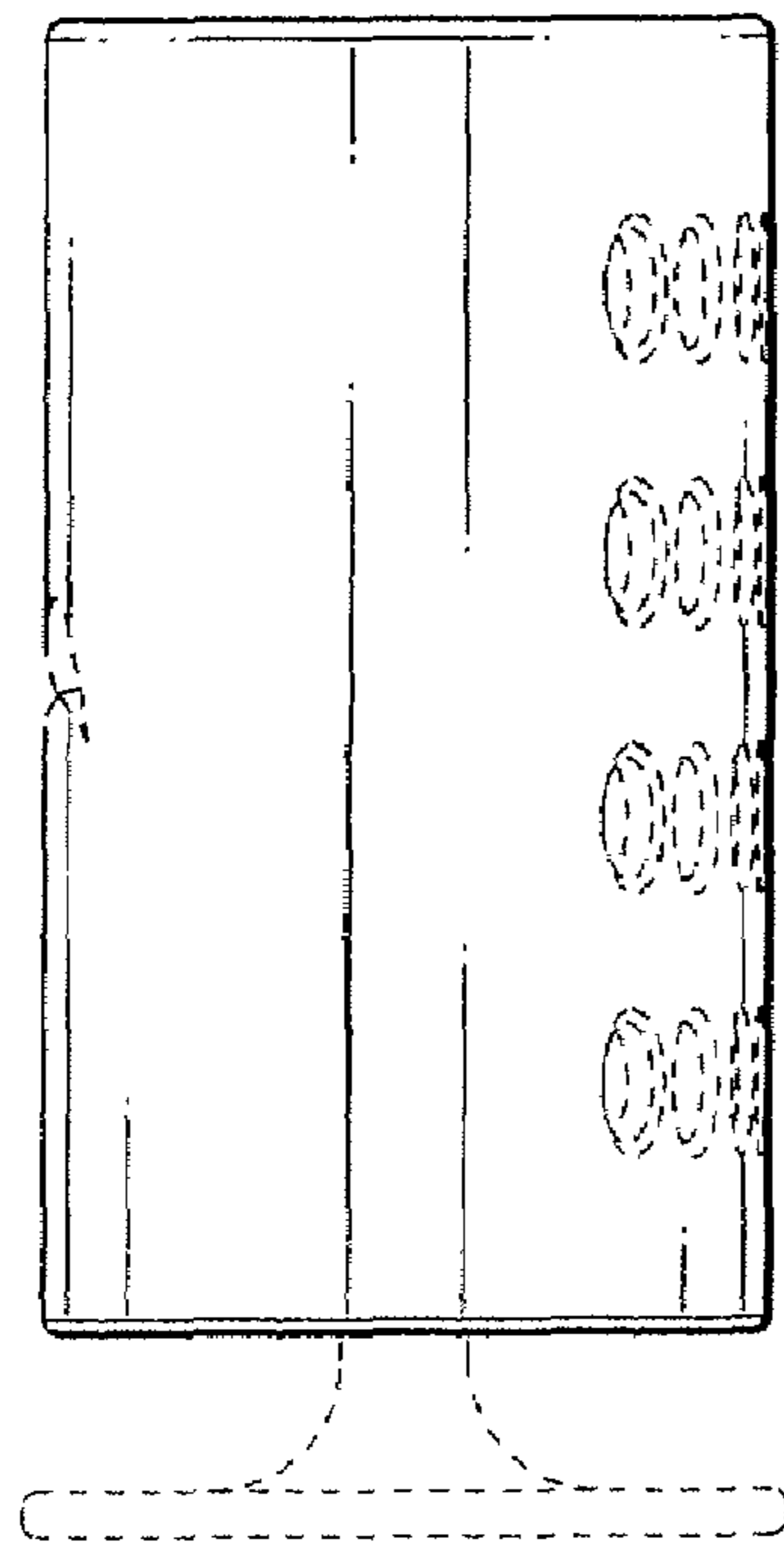


FIG. 4

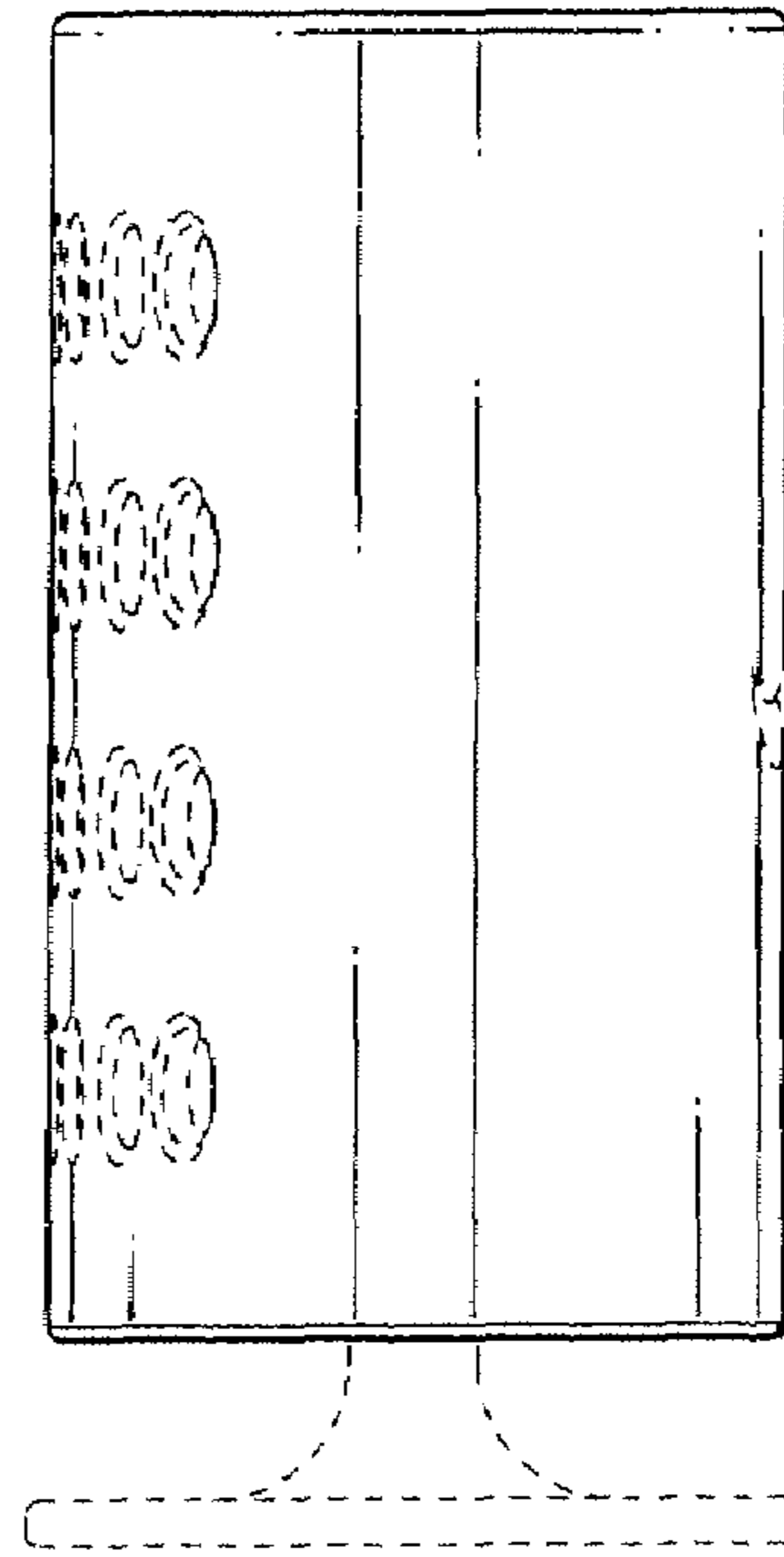


FIG. 5

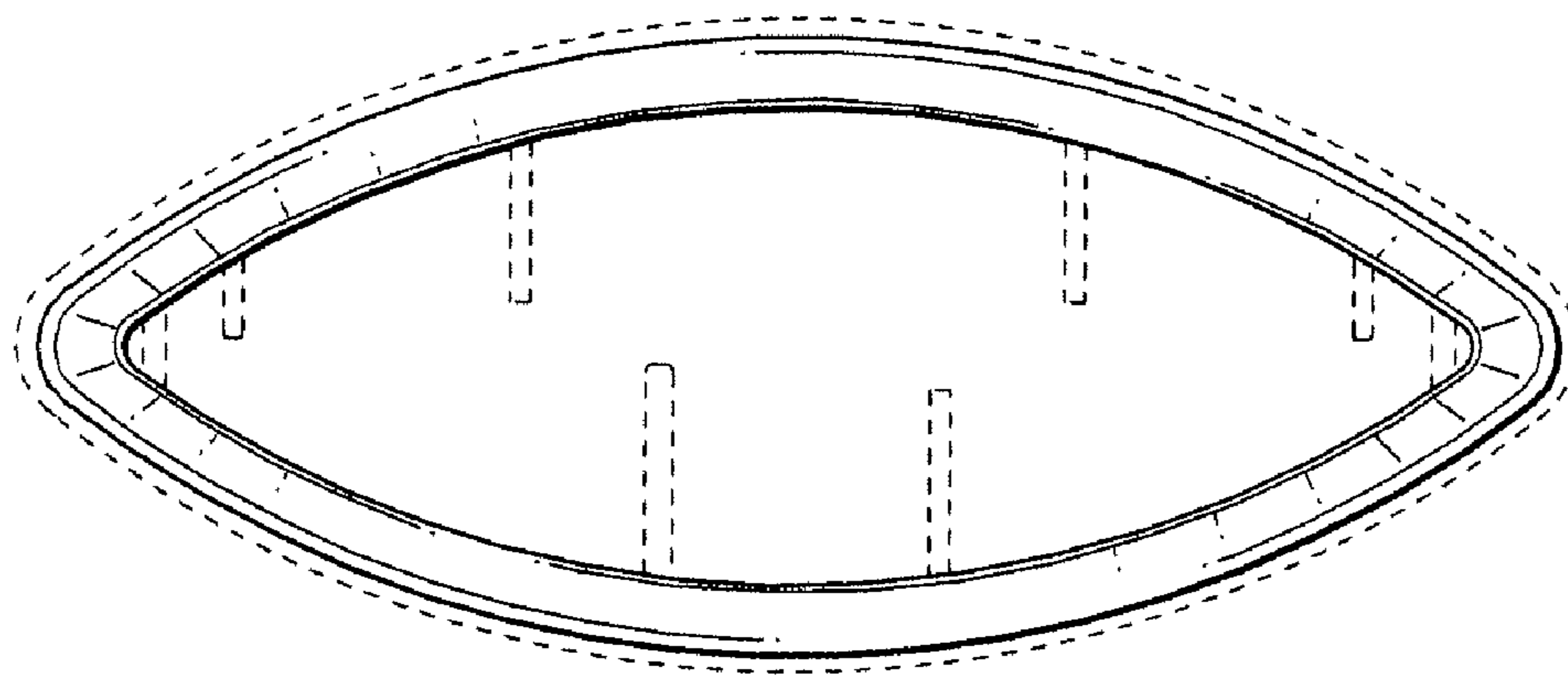


FIG. 6

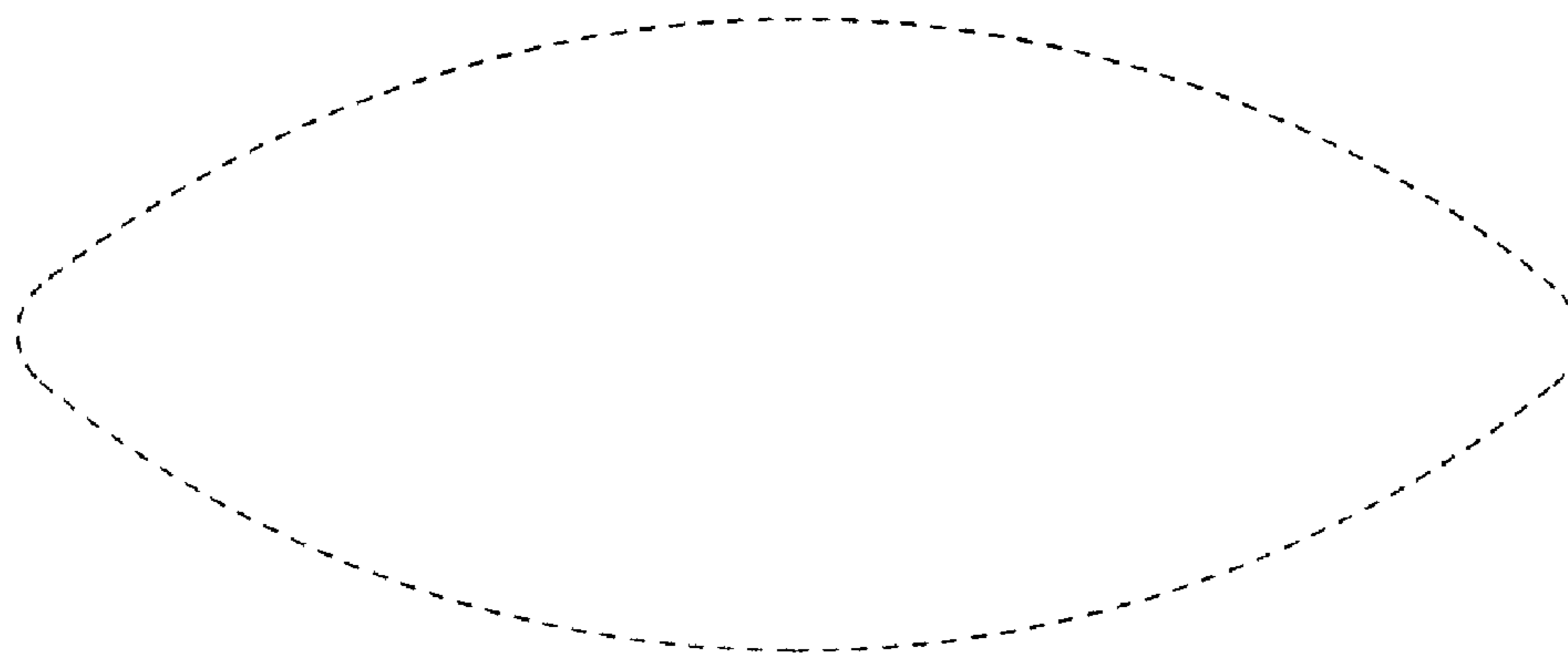


FIG. 7