



US00D614276S

(12) **United States Design Patent**
Harris et al.

(10) **Patent No.:** **US D614,276 S**
(45) **Date of Patent:** **** Apr. 20, 2010**

(54) **ROOM AIR CLEANER**

(75) Inventors: **David Harris**, Hollis, NH (US); **Rudy A Vandenberg**, Ottawa (CA); **Matthew T R Bailey**, Ottawa (CA)

(73) Assignee: **Headwaters R & D Inc**, Ottawa (CA)

(**) Term: **14 Years**

(21) Appl. No.: **29/326,040**

(22) Filed: **Oct. 10, 2008**

(51) **LOC (9) Cl.** **23-04**

(52) **U.S. Cl.** **D23/364**

(58) **Field of Classification Search** D23/364,
D23/355, 356, 359, 360, 366, 369, 332, 333,
D23/335, 342, 351; 422/120, 122; 55/356,
55/473, 504; 96/97; D14/188, 170, 172;
261/DIG. 17, DIG. 65, DIG. 88, DIG. 31;
D18/34.6

See application file for complete search history.

(56) **References Cited**

U.S. PATENT DOCUMENTS

D306,342 S *	2/1990	Lane	D23/332
D310,712 S *	9/1990	Del Fresno	D23/335
D311,951 S *	11/1990	Dubin	D23/335
D342,126 S *	12/1993	Dubin et al.	D23/335
D348,725 S *	7/1994	Wortham	D23/335
D379,650 S *	6/1997	Smith et al.	D23/335
D414,854 S *	10/1999	Omaki et al.	D23/364
D453,557 S *	2/2002	Pannozzo et al.	D23/335
D528,642 S *	9/2006	Gildersleeve	D23/335

D532,881 S *	11/2006	Ching	D23/335
D543,266 S *	5/2007	Chen	D23/364
D544,082 S *	6/2007	Fujii	D23/364
D549,309 S *	8/2007	Stephant	D23/342

* cited by examiner

Primary Examiner—T. Chase Nelson

Assistant Examiner—David G Muller

(74) *Attorney, Agent, or Firm*—Albert Peter Durigon

(57) **CLAIM**

The ornamental design for a room air cleaner, as shown and described.

DESCRIPTION

FIG. 1 is a front perspective view of the room air cleaner of the present invention;

FIG. 2 is a front plan view of the room air cleaner of the present invention;

FIG. 3 is a side plan view of the room air cleaner of the present invention, the other side being identical;

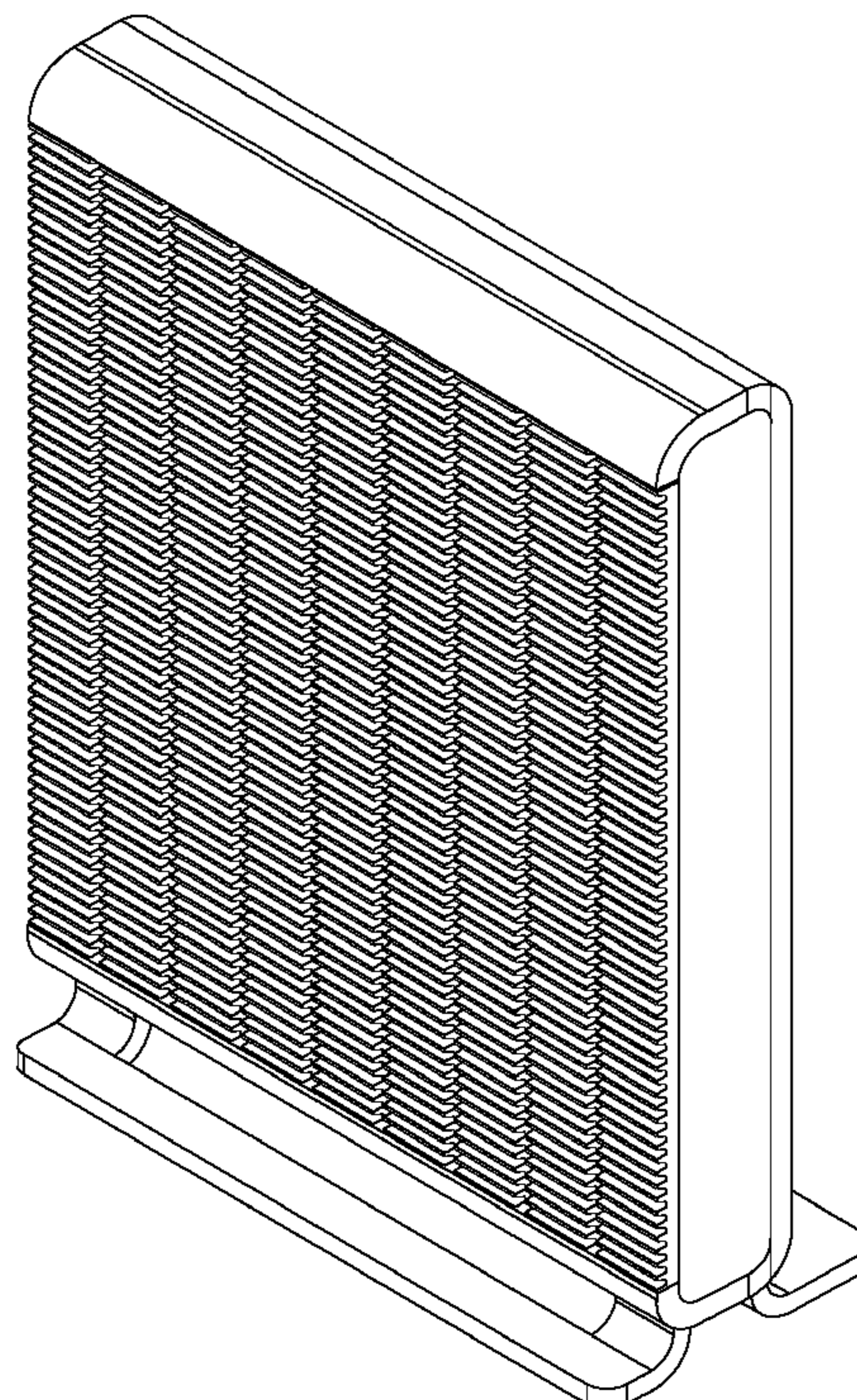
FIG. 4 is an back plan view of the room air cleaner of the present invention;

FIG. 5 is a top plan view of the room air cleaner of the present invention; and,

FIG. 6 is a bottom plan view of the room air cleaner of the present invention.

The broken line showing of parts of the drawings is included for the purpose of illustrating use and environment and forms no part of the claimed design.

1 Claim, 5 Drawing Sheets



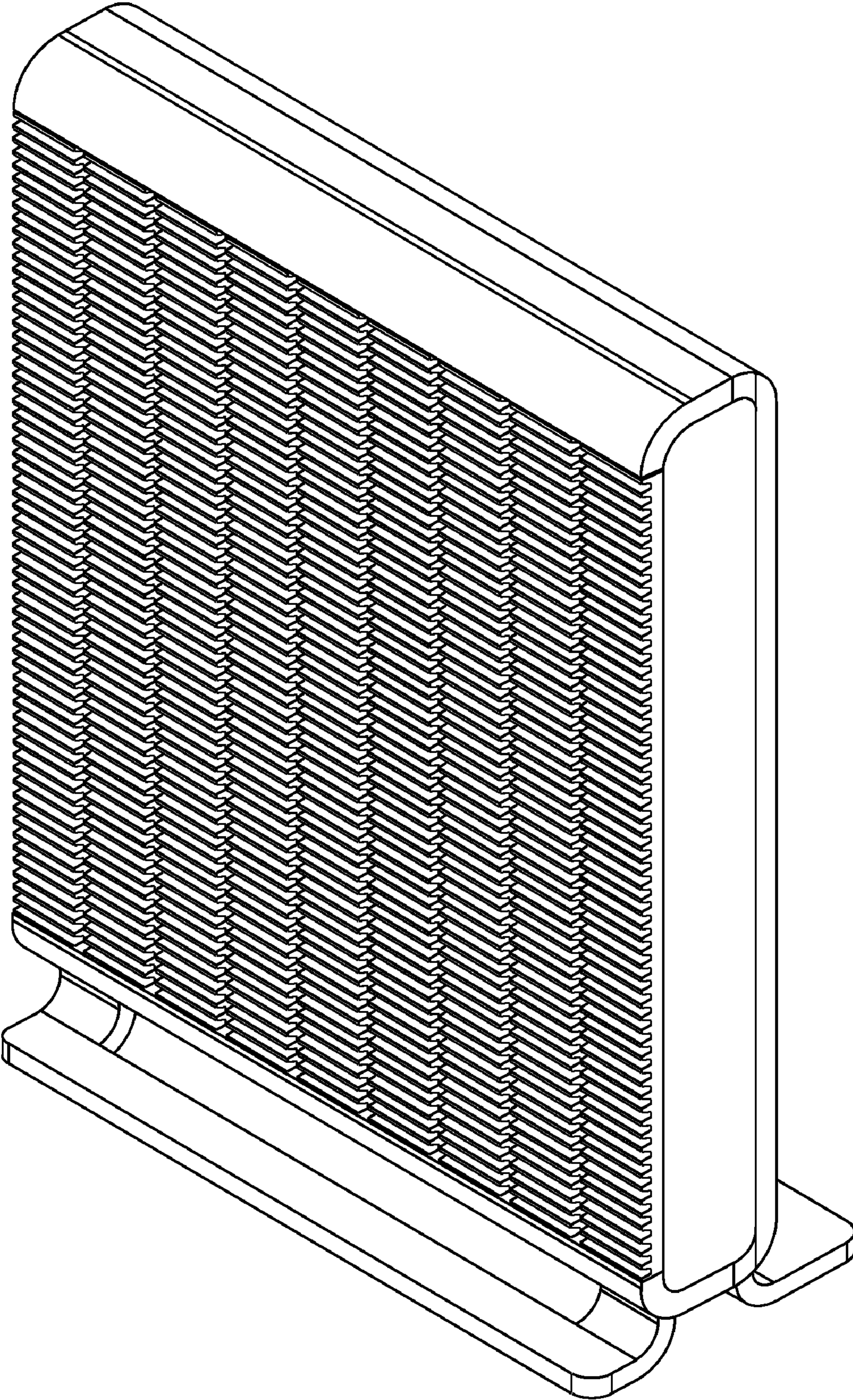


Fig. 1

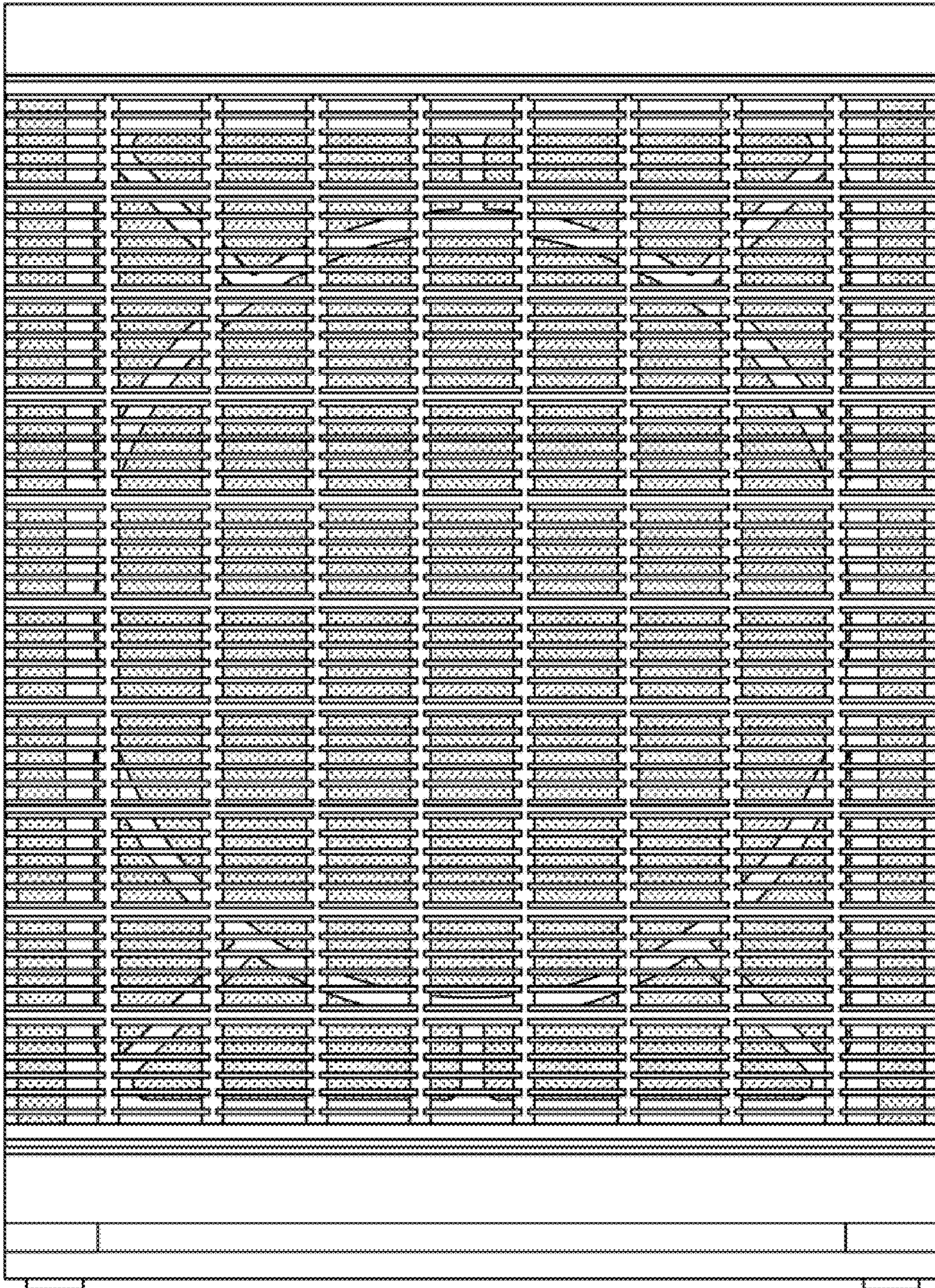


Fig. 2

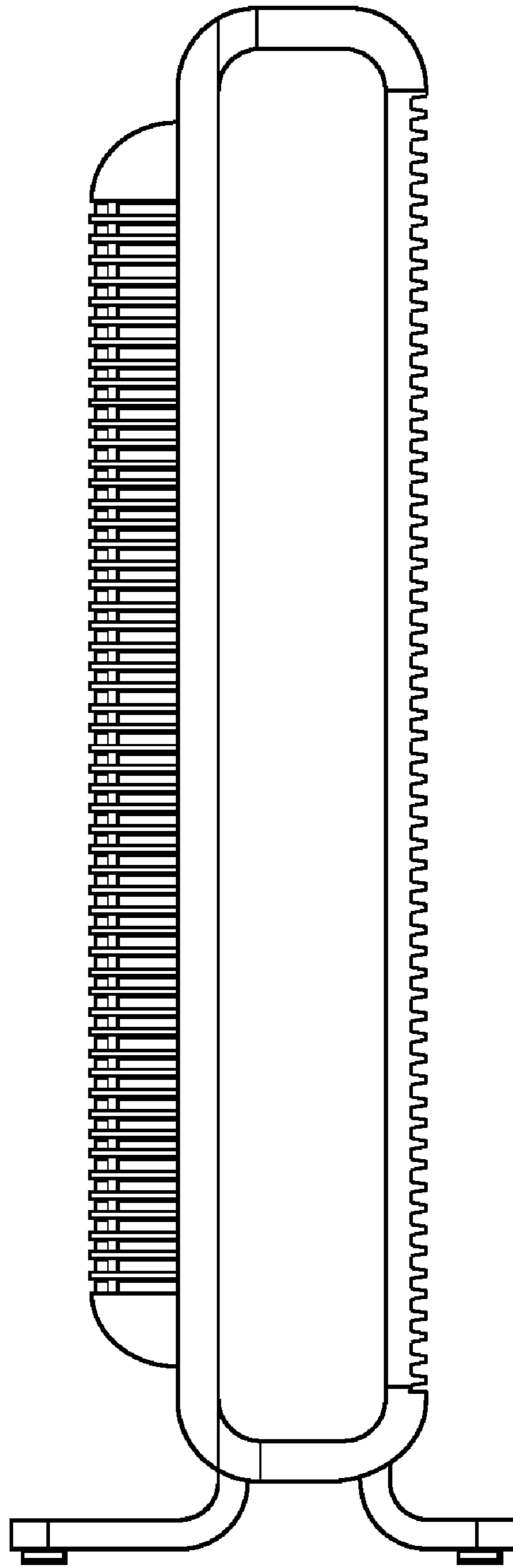


Fig. 3

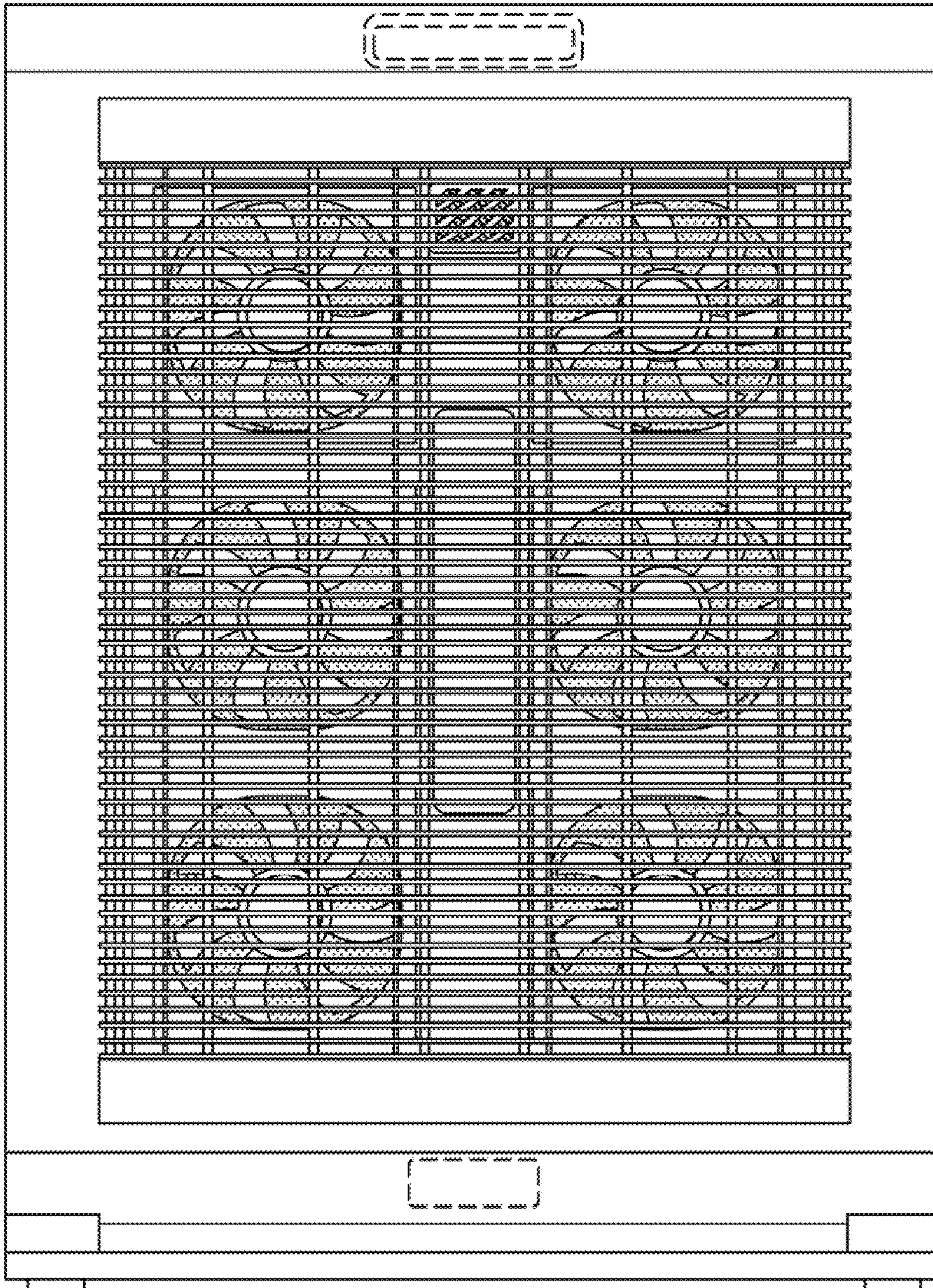


Fig. 4

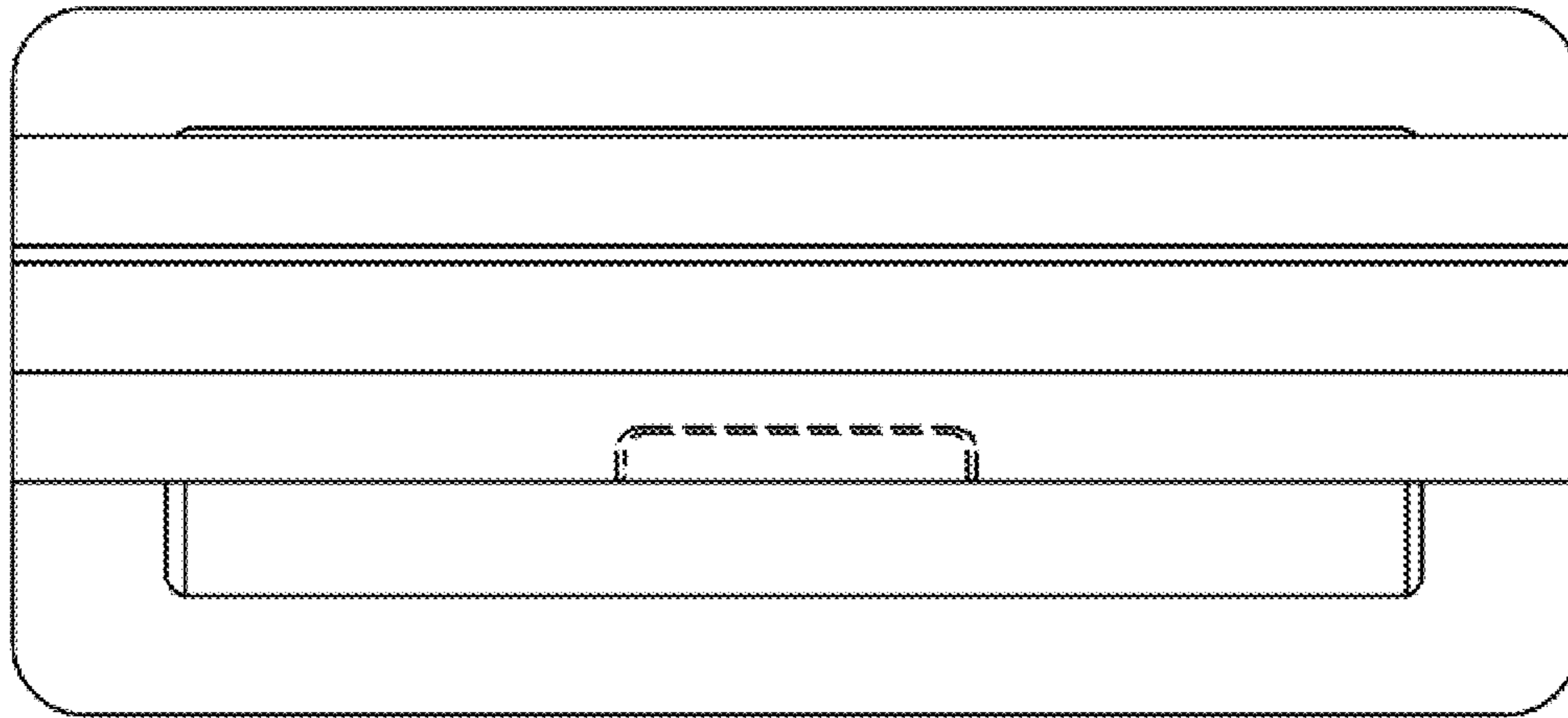


Fig. 5

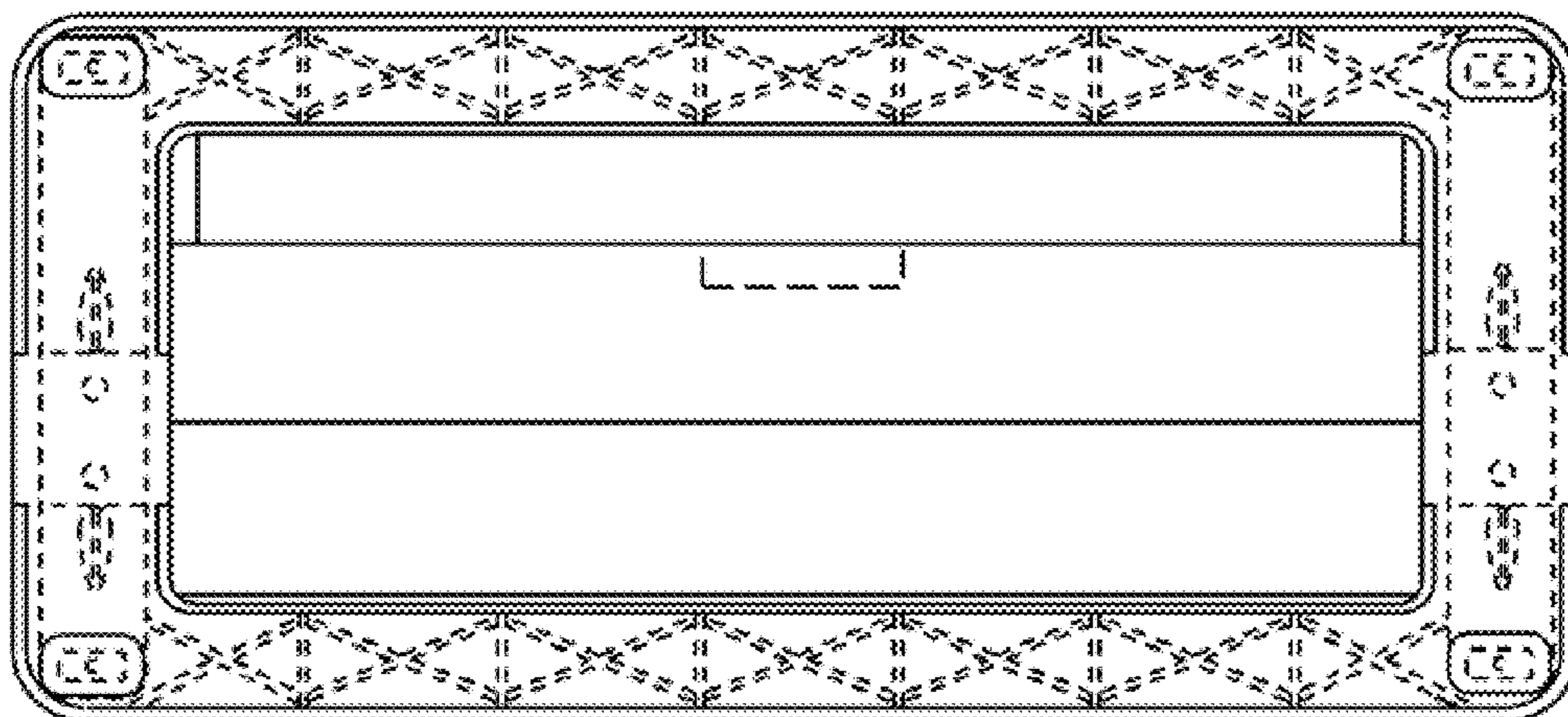


Fig. 6