



US00D614274S

(12) **United States Design Patent**
Lin

(10) **Patent No.:** **US D614,274 S**
(45) **Date of Patent:** **** Apr. 20, 2010**

(54) **ELECTRIC HEATER**

2006/0110141 A1* 5/2006 Burkett et al. 392/375
* cited by examiner

(76) Inventor: **Hen-Yuan Lin**, 33F., No. 293, Sec. 2,
Wunhua Rd., Banciao City, Taipei Hsien
(TW)

Primary Examiner—T. Chase Nelson
Assistant Examiner—Ania K Dworzecka
(74) *Attorney, Agent, or Firm*—patenttm.us

(**) Term: **14 Years**

(57) **CLAIM**

(21) Appl. No.: **29/334,068**

The ornamental design for an electric heater, as shown and described.

(22) Filed: **Mar. 19, 2009**

(51) **LOC (9) Cl.** **23-03**

(52) **U.S. Cl.** **D23/317; D23/332**

(58) **Field of Classification Search** D23/314,
D23/332, 335–350, 378, 370, 381, 354, 351,
D23/386, 333, 328, 353, 361, 385, 417, 357,
D23/334, 355, 359, 362, 366; 392/365, 367,
392/424, 383, 411, 360, 369, 373–376, 347;
126/183, 110 B, 91 A, 92 A, 500, 544, 547;
431/125; D99/29

See application file for complete search history.

DESCRIPTION

FIG. 1 is a front perspective view of an electric heater showing my new design;

FIG. 2 is a front elevation view thereof;

FIG. 3 is a rear elevation view thereof;

FIG. 4 is a left side elevation view thereof, the right view being a mirror image thereof;

FIG. 5 is a top plan view thereof;

FIG. 6 is a bottom plan view thereof; and,

FIG. 7 is a bottom perspective view thereof.

The portions of the Figures shown in broken lines are shown for illustrative purposes only and form no part of the claimed design.

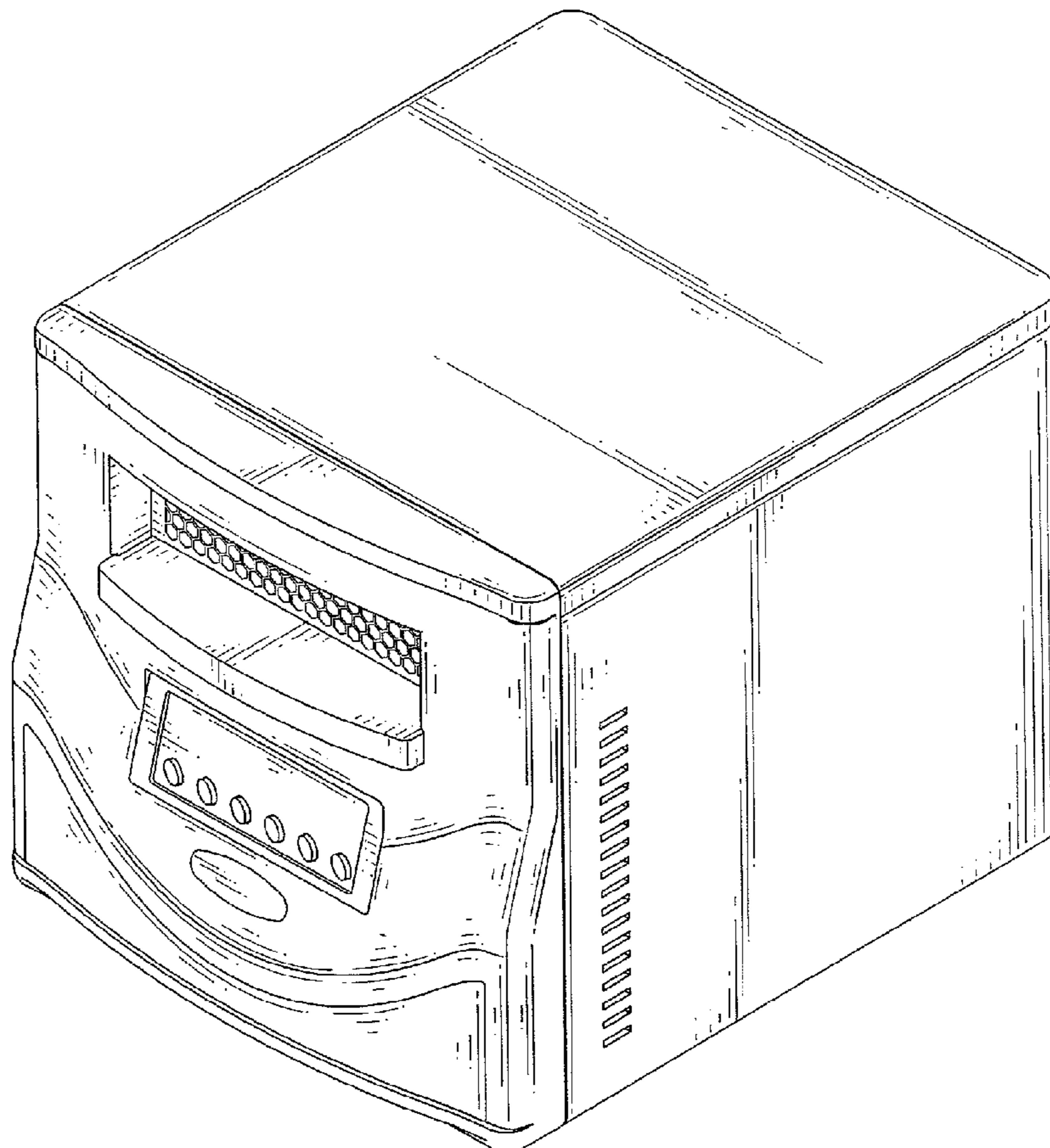
(56) **References Cited**

U.S. PATENT DOCUMENTS

D567,346 S * 4/2008 Lin D23/317

D600,336 S * 9/2009 Lin D23/317

1 Claim, 6 Drawing Sheets



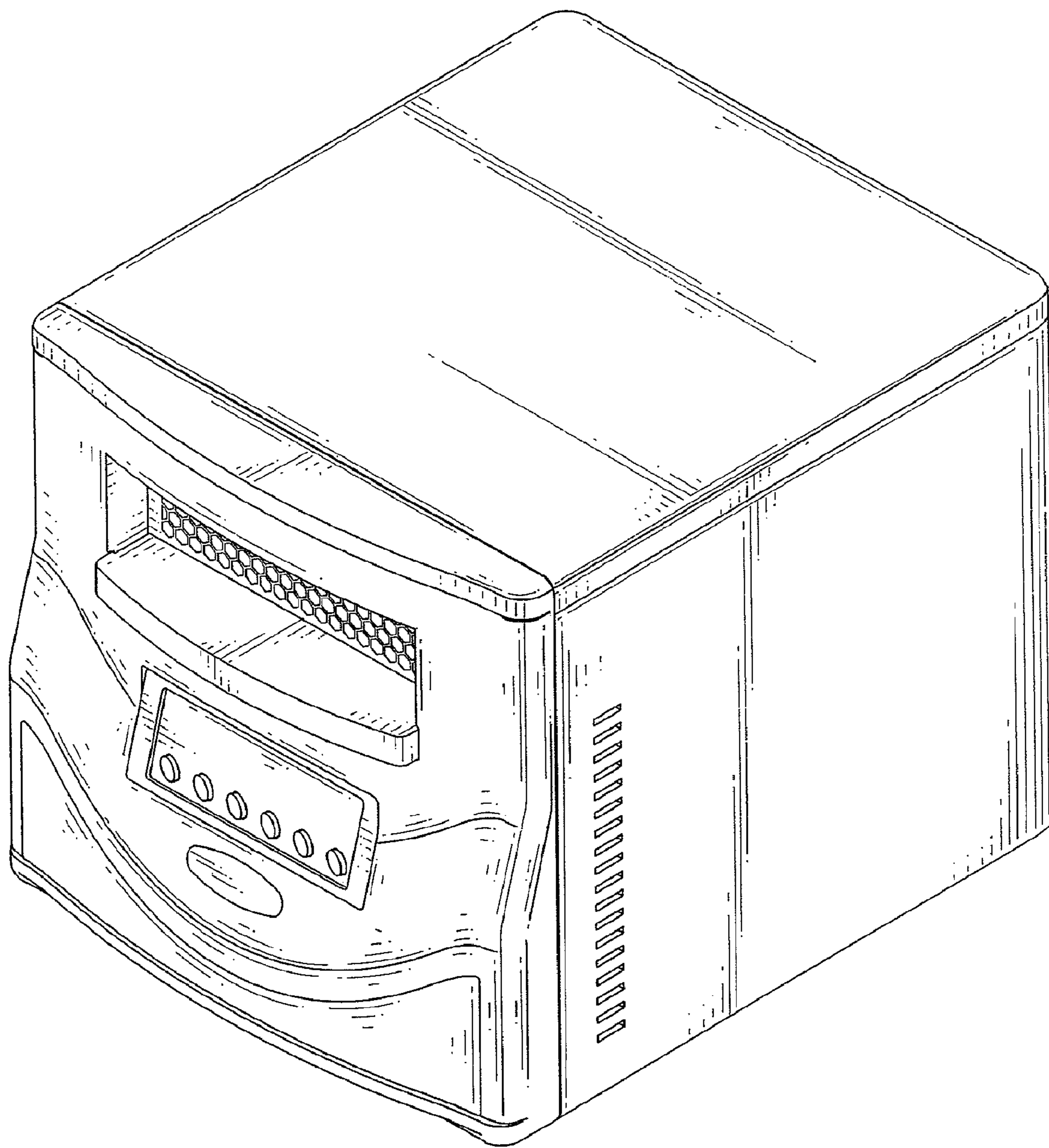


FIG.1

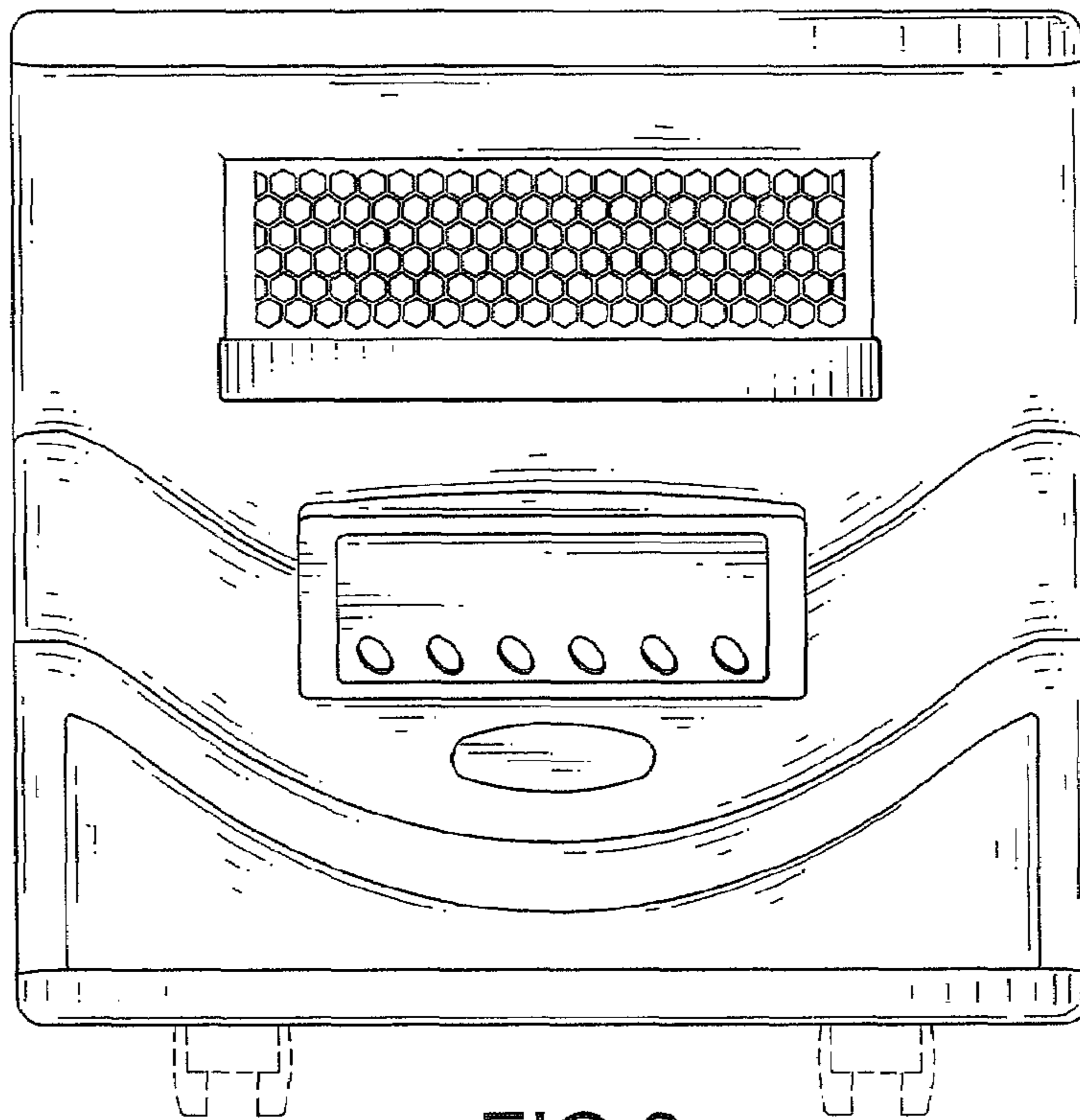


FIG.2

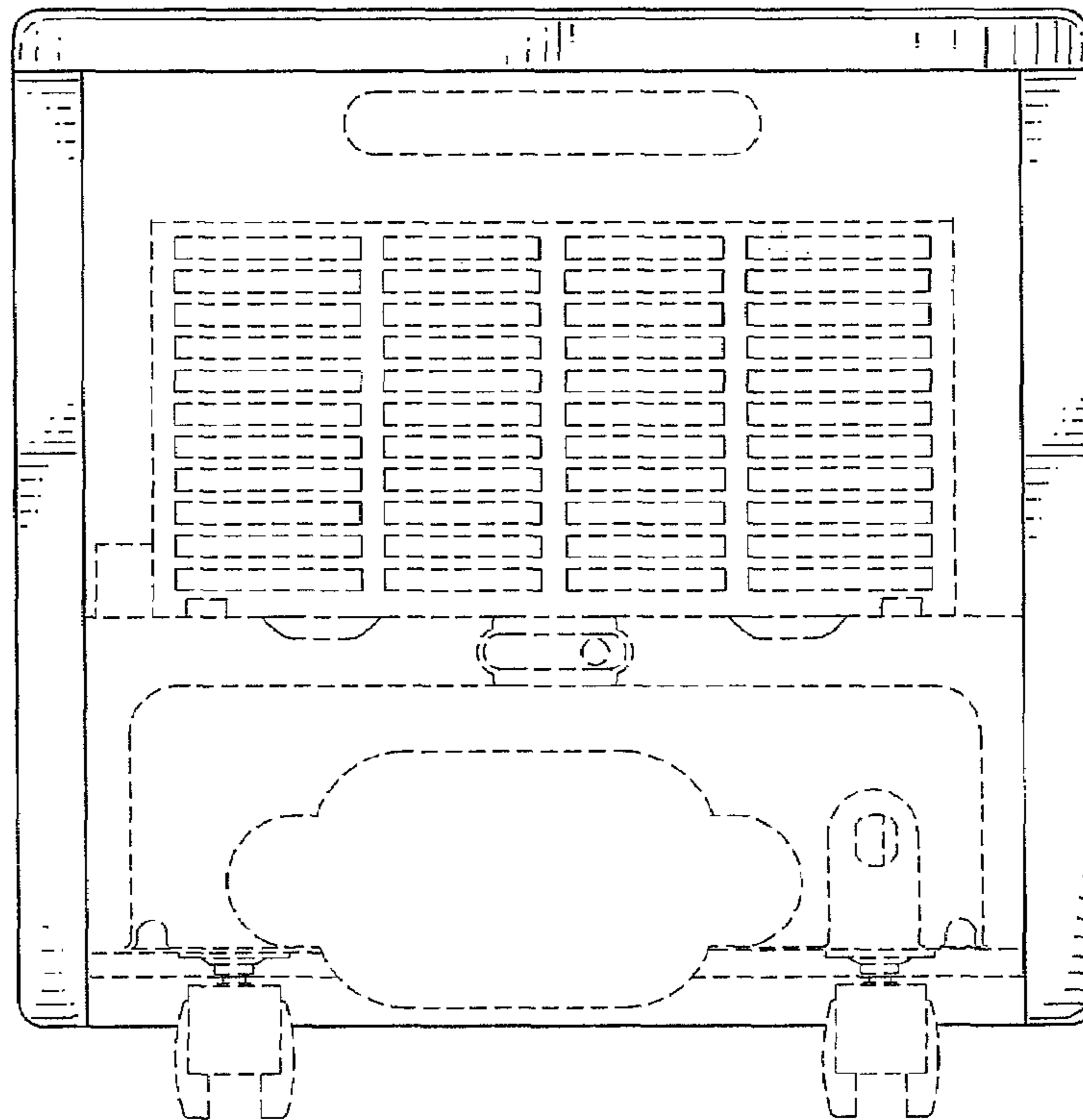


FIG.3

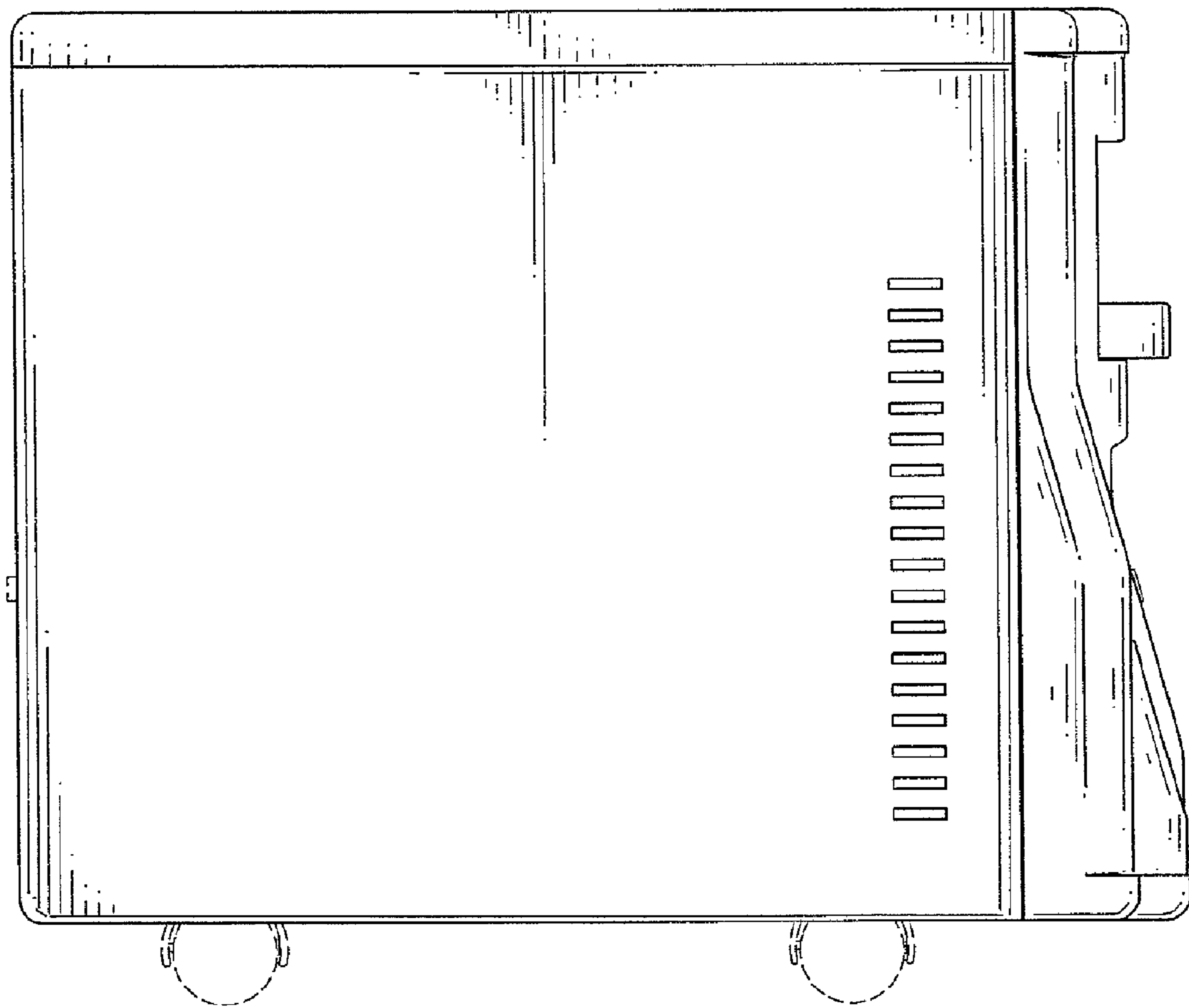


FIG.4

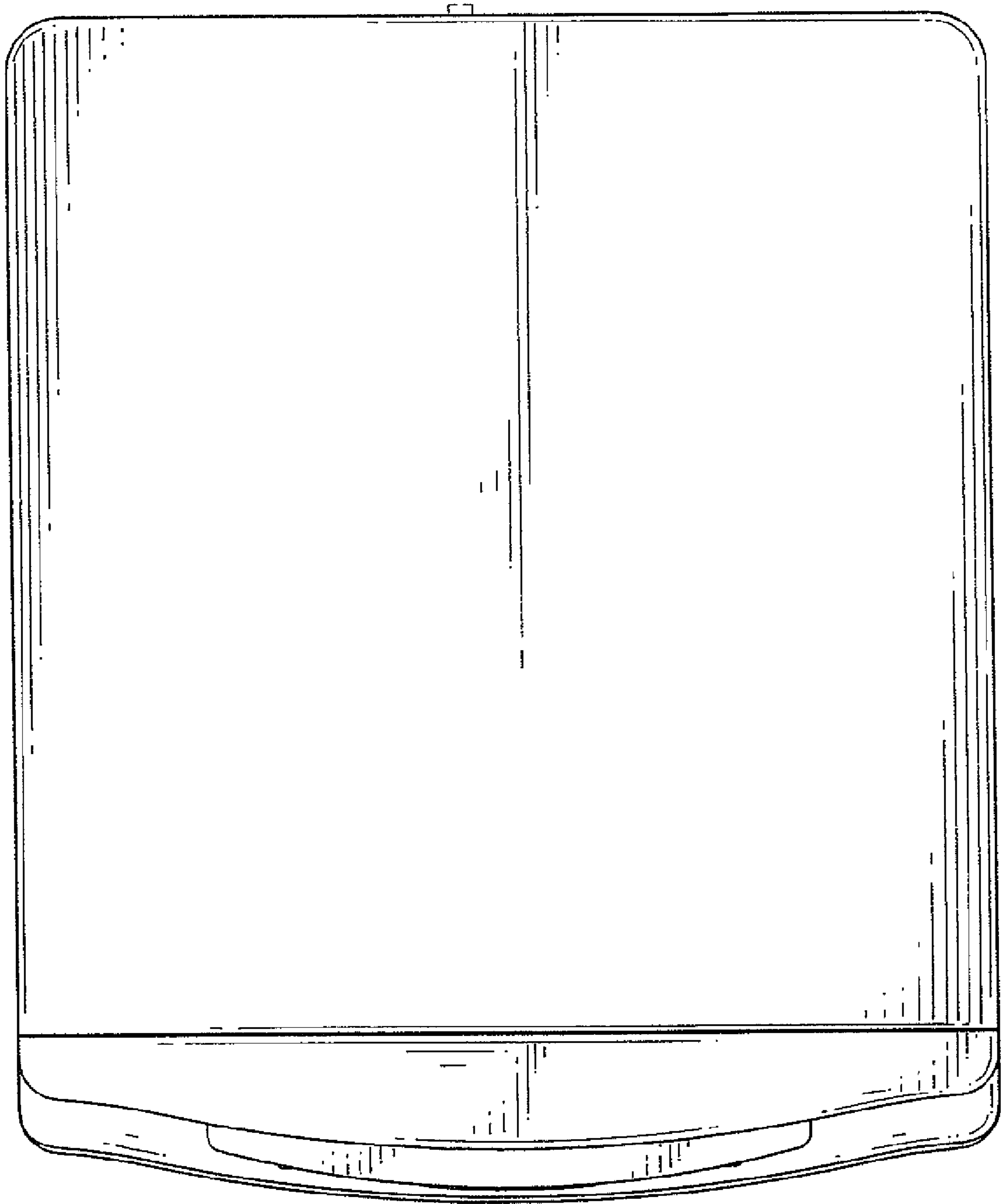


FIG.5

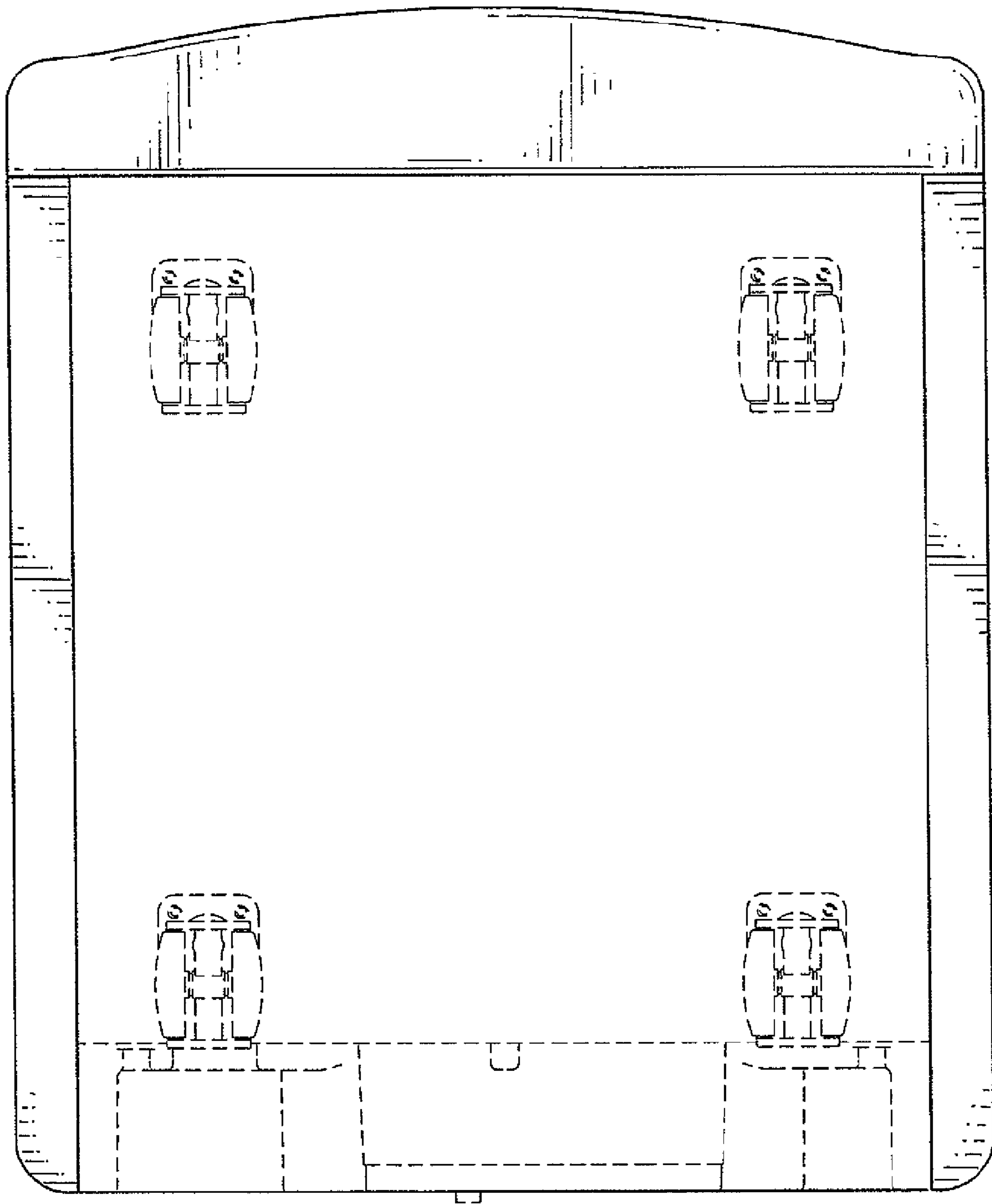


FIG.6

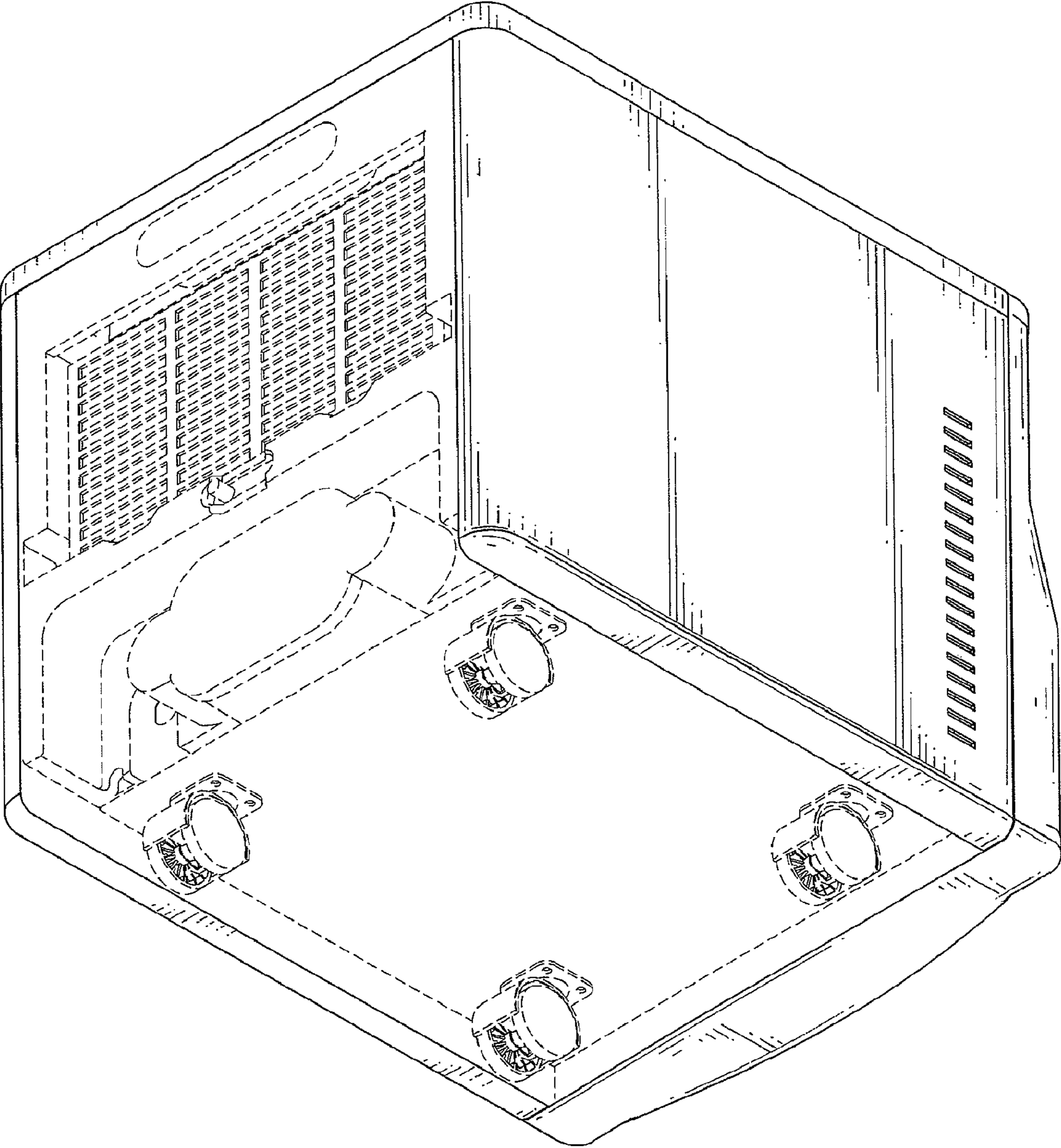


FIG.7