



US00D614273S

(12) **United States Design Patent**
Loberger et al.

(10) **Patent No.:** **US D614,273 S**

(45) **Date of Patent:** **** Apr. 20, 2010**

(54) **LAVATORY SYSTEM**

(75) Inventors: **John M. Loberger**, Germantown, WI
(US); **Graeme S. Bayley**, Brookfield, WI
(US)

(73) Assignee: **Bradley Fixtures Corporation**,
Menomonee Falls, WI (US)

(**) Term: **14 Years**

(21) Appl. No.: **29/336,455**

(22) Filed: **May 4, 2009**

Related U.S. Application Data

(60) Continuation of application No. 29/312,213, filed on Mar. 2, 2007, now Pat. No. Des. 591,839, which is a division of application No. 29/264,923, filed on Aug. 22, 2006, now Pat. No. Des. 539,400, which is a division of application No. 29/240,011, filed on Jul. 1, 2005, now Pat. No. Des. 527,085, which is a continuation of application No. 29/211,613, filed on Aug. 18, 2004, now Pat. No. Des. 511,821.

(51) **LOC (9) Cl.** **23-02**

(52) **U.S. Cl.** **D23/308**

(58) **Field of Classification Search** D23/270–273,
D23/286–290, 303, 308; 4/662–665, 630–631,
4/637–643, 661; D6/511, 422, 483; 108/50.01
See application file for complete search history.

(56) **References Cited**

U.S. PATENT DOCUMENTS

D30,135 S * 2/1899 Peet D23/293.1
D36,127 S * 10/1902 Madden D23/288
D36,575 S * 10/1903 Zipp D23/293.1
D36,595 S * 10/1903 Peet D23/290

D74,016 S * 12/1927 Levien D6/511
D83,354 S * 2/1931 Schott D6/511
D132,243 S * 4/1942 Pressman D6/483
D134,727 S * 1/1943 Weber D6/422
2,558,443 A * 6/1951 Krenov 4/664
5,369,818 A 12/1994 Barnum et al.

(Continued)

OTHER PUBLICATIONS

Bradley Corporation, The Bradley Express Lavatory System, bearing a designation “© 1996 Bradley Corporation”.

(Continued)

Primary Examiner—Robert A Delehanty

(74) *Attorney, Agent, or Firm*—Foley & Lardner LLP

(57) **CLAIM**

We claim the ornamental design for a lavatory system, as shown and described.

DESCRIPTION

FIG. 1 is a perspective view of a lavatory system according to an exemplary embodiment.

FIG. 2 is a top view of the lavatory system of FIG. 1.

FIG. 3 is a front view of the lavatory system of FIG. 1.

FIG. 4 is a rear view of the lavatory system of FIG. 1.

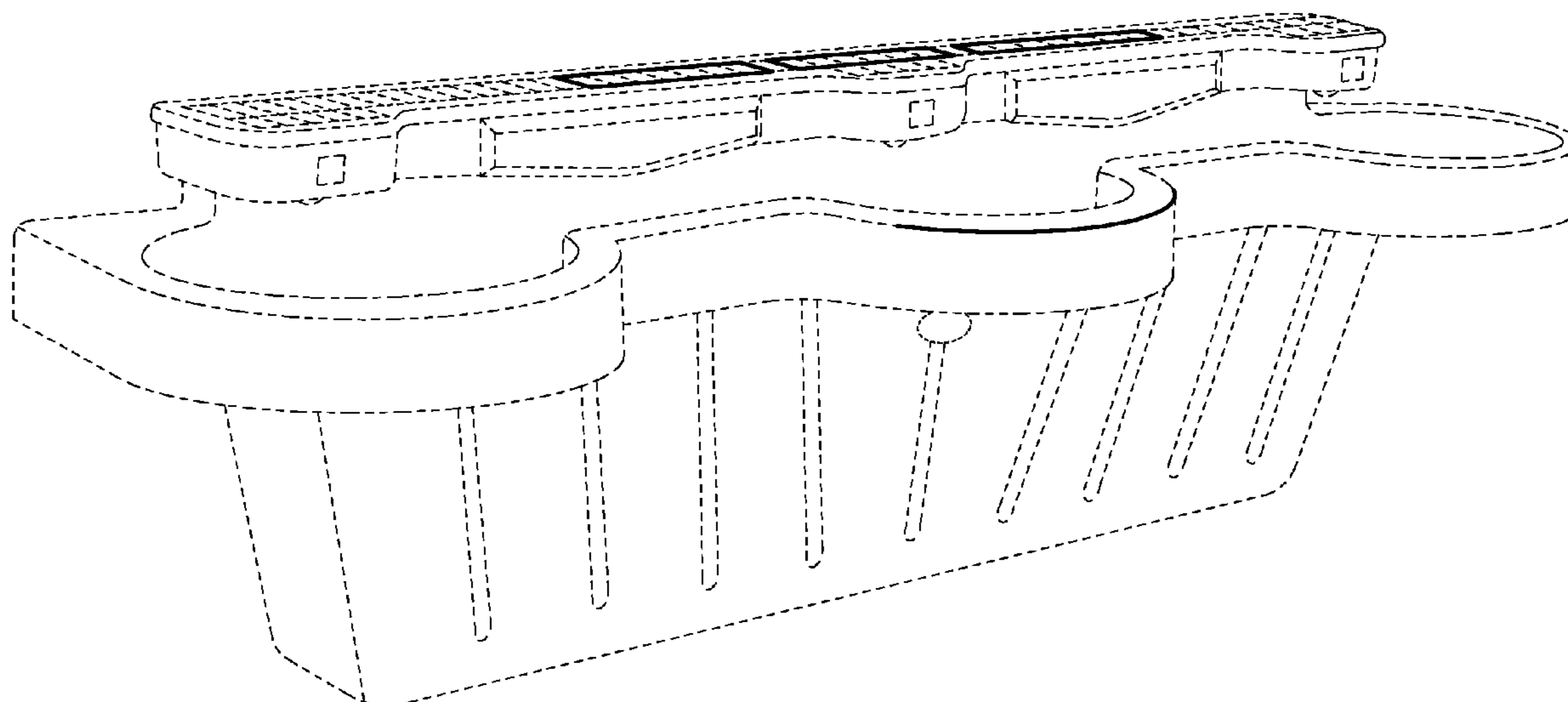
FIG. 5 is a bottom view of the lavatory system of FIG. 1.

FIG. 6 is a left side view of the lavatory system of FIG. 1; and,

FIG. 7 is a right side view of the lavatory system of FIG. 1.

The ornamental design which is claimed is shown in solid lines in the drawings. The broken lines in the drawings are for illustrative purposes only and form no part of the claimed design.

1 Claim, 4 Drawing Sheets



US D614,273 S

Page 2

U.S. PATENT DOCUMENTS

D358,852 S * 5/1995 Monneret D6/422
5,611,093 A 3/1997 Barnum et al.
5,704,298 A * 1/1998 Corpuz et al. 108/50.01
5,765,315 A * 6/1998 Nagamitsu et al. 108/50.01
5,855,029 A * 1/1999 Flippen, Sr. 4/664
D411,876 S * 7/1999 Hafner et al. D23/290
D447,224 S * 8/2001 Barnum et al. D23/308
D477,060 S 7/2003 Loberger et al.
D484,958 S 1/2004 Loberger et al.

D496,450 S 9/2004 Loberger et al.

OTHER PUBLICATIONS

Bradley Corporation, Crescent® and Image® Lavatory System, bearing a designation "1999newproducts".
Bradley Corporation, Frequency Lavatory System, bearing a designation "© Bradley Corp 2003".
Bradley Corporation, Plumbing Fixtures, bearing a designation "2001".

* cited by examiner

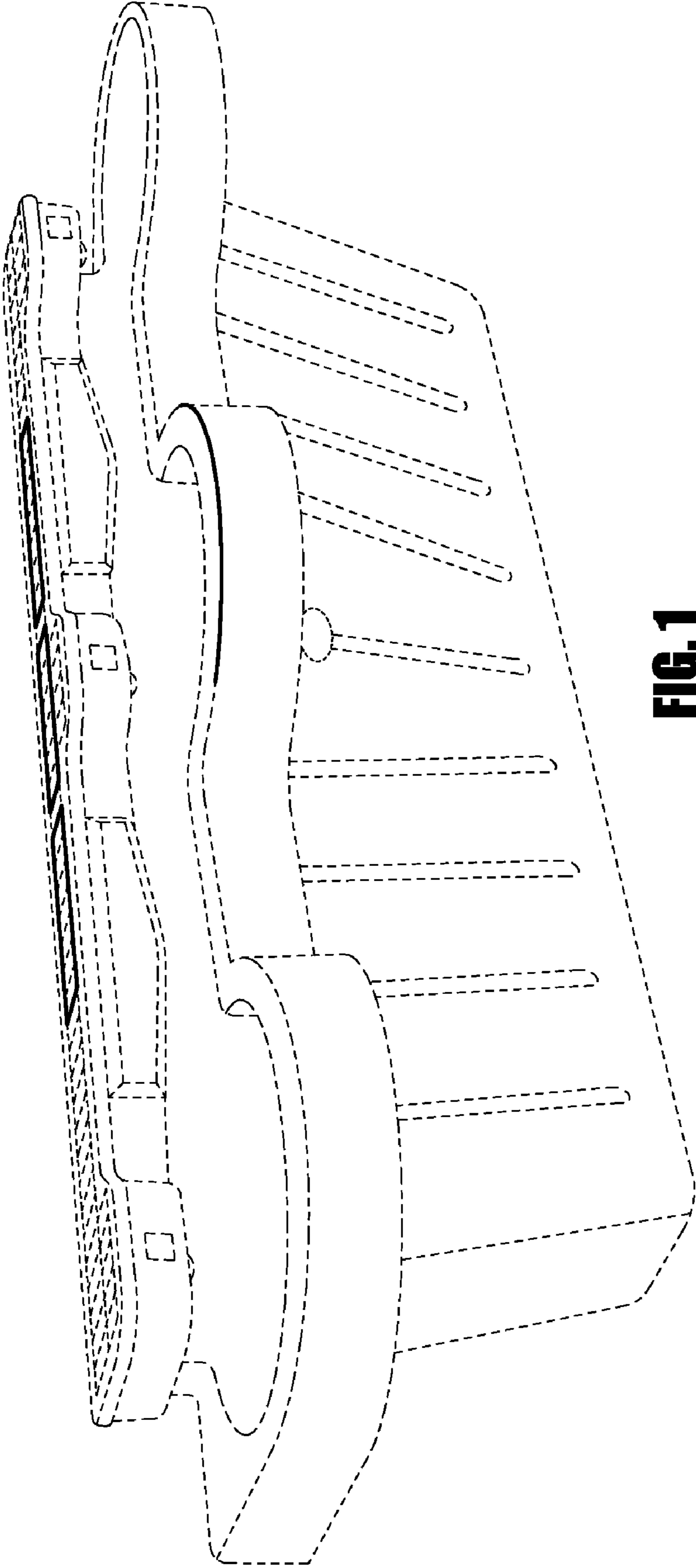


FIG. 1

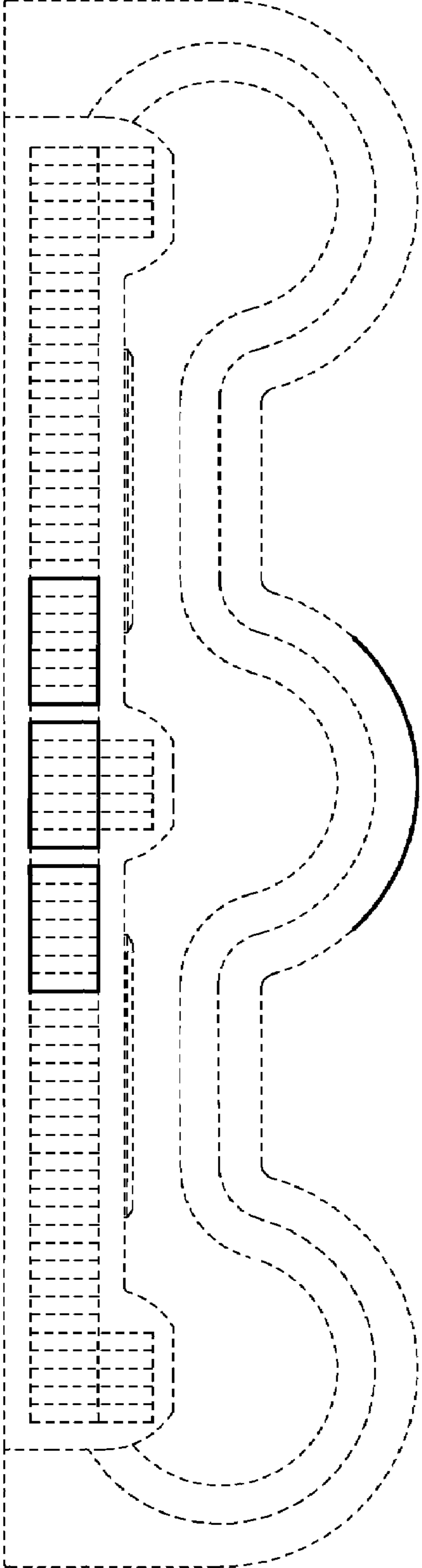


FIG. 2

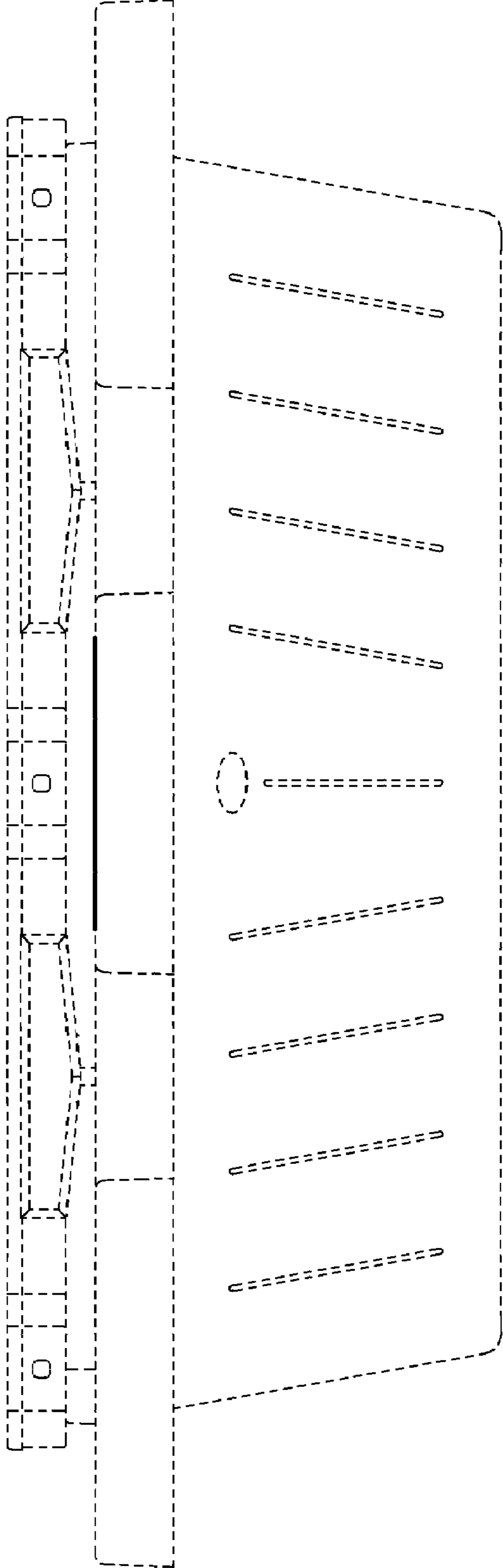


FIG. 3

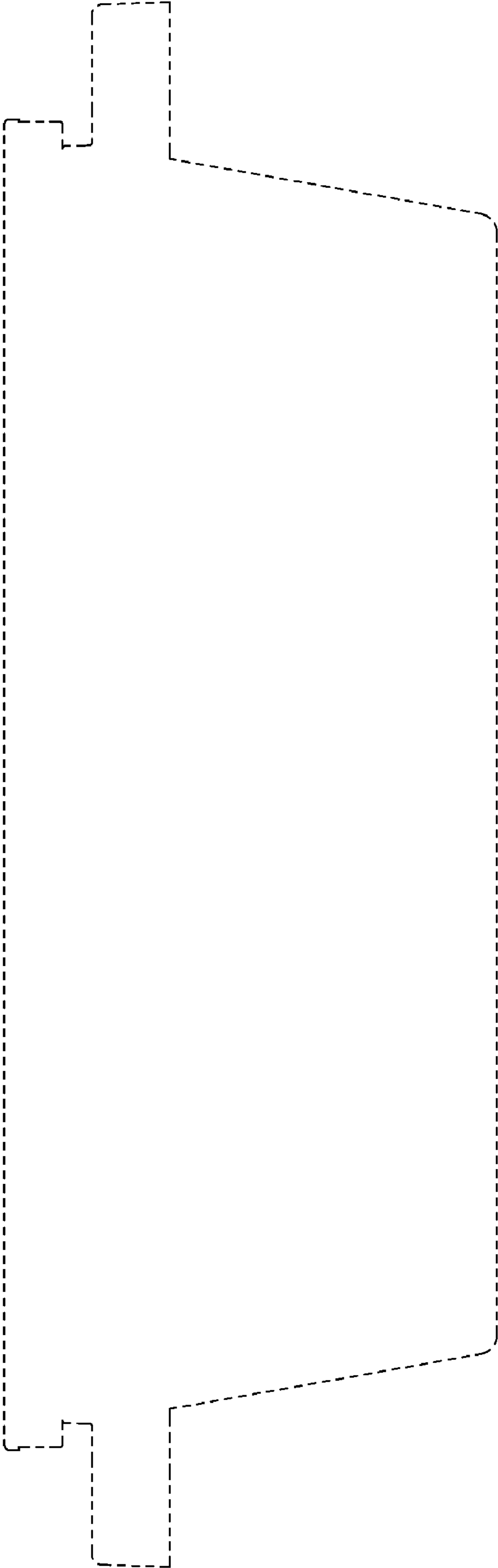


FIG. 4

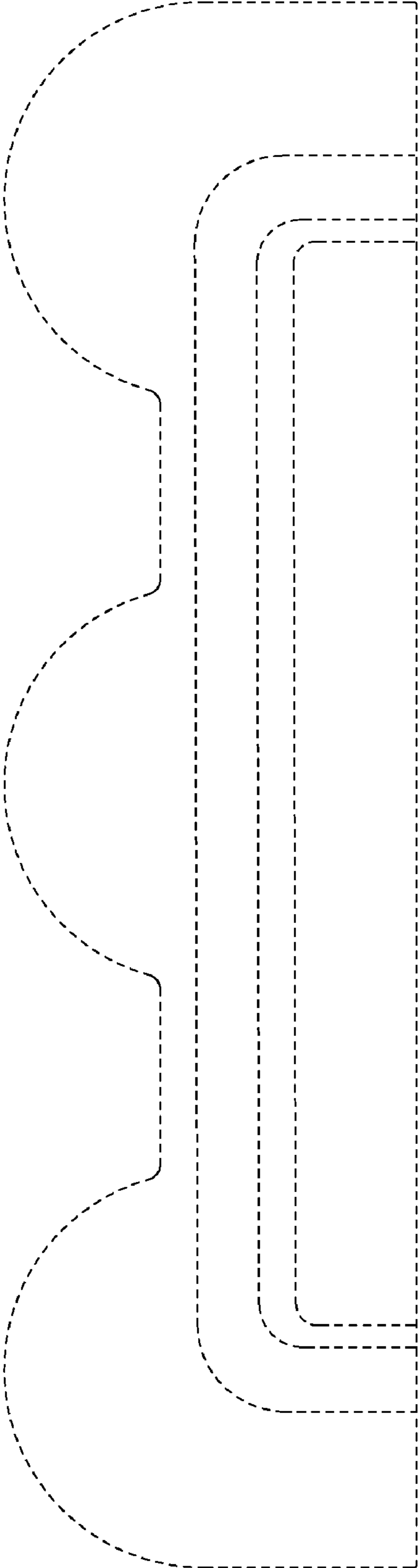


FIG. 5

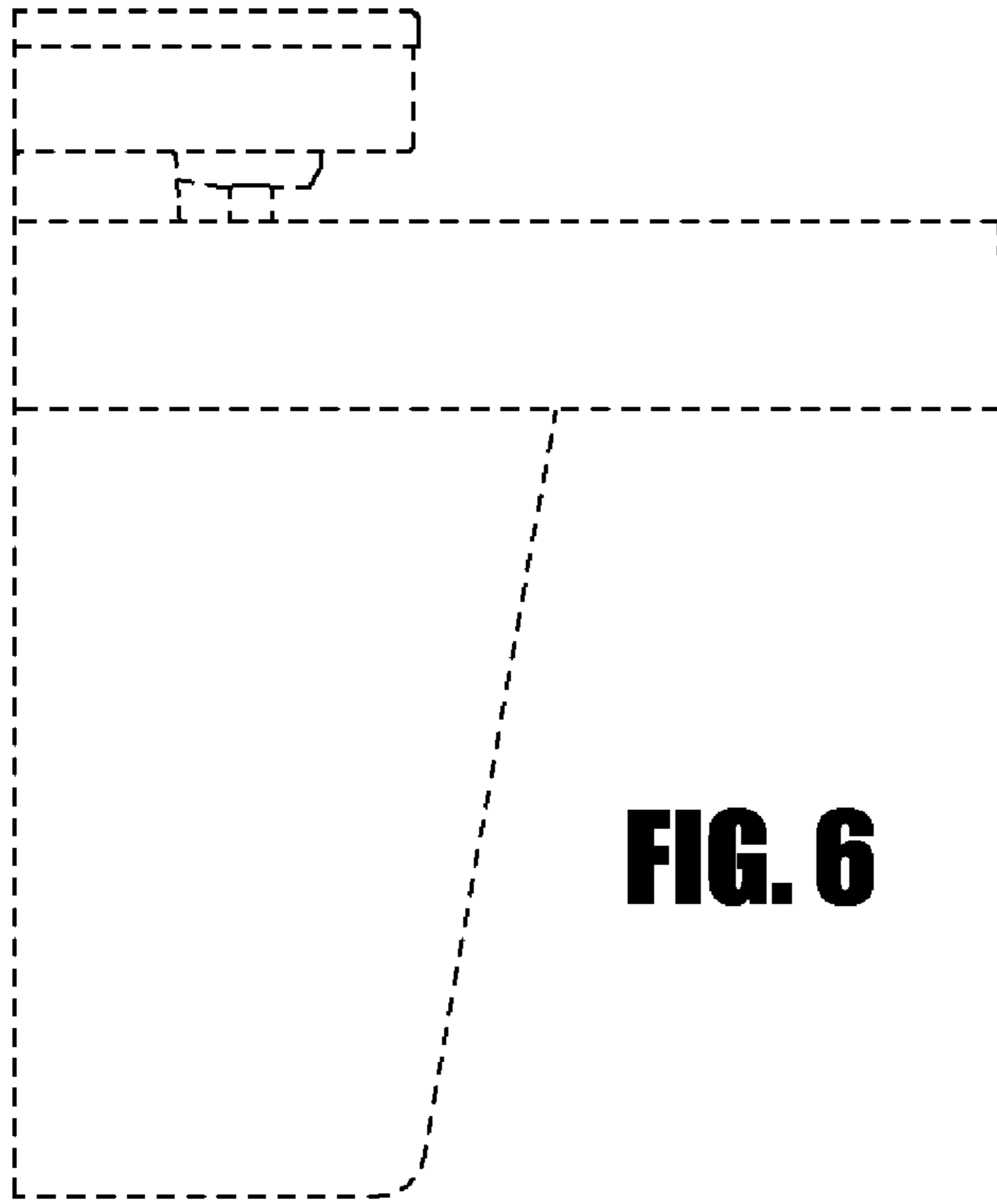


FIG. 6

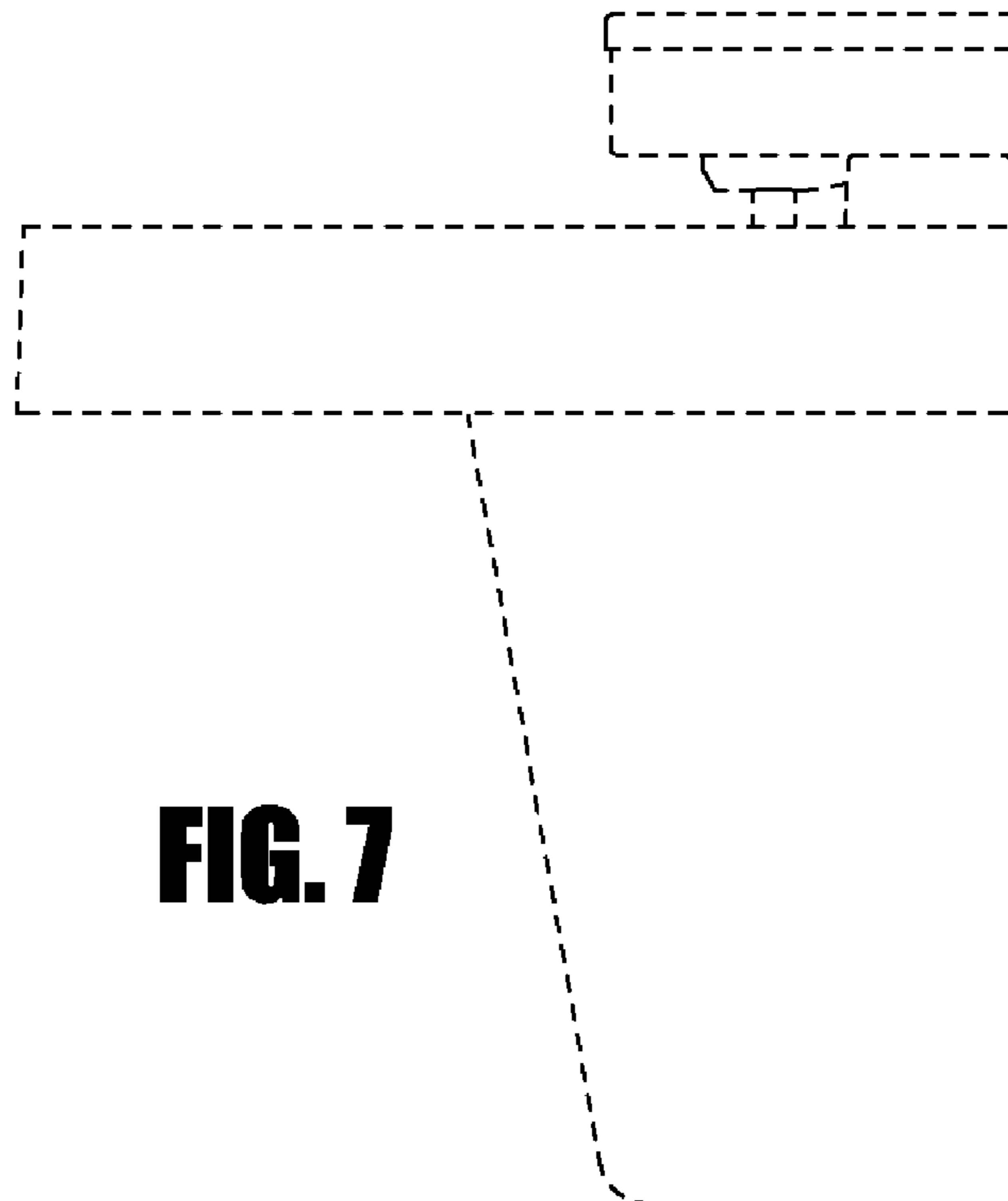


FIG. 7