



US00D614272S

(12) **United States Design Patent**  
**Henry et al.**

(10) **Patent No.:** **US D614,272 S**  
(45) **Date of Patent:** **\*\* Apr. 20, 2010**

(54) **GASKET**

(75) Inventors: **Vance W. Henry**, Easton, PA (US);  
**Scott D. Madara**, Nazareth, PA (US)

(73) Assignee: **Victaulic Company**, Easton, PA (US)

(\*\*) Term: **14 Years**

(21) Appl. No.: **29/345,720**

(22) Filed: **Oct. 21, 2009**

**Related U.S. Application Data**

(62) Division of application No. 29/331,382, filed on Jan. 23, 2009, now Pat. No. Des. 605,739.

(51) **LOC (9) Cl.** ..... **23-01**

(52) **U.S. Cl.** ..... **D23/269**

(58) **Field of Classification Search** ..... D23/259–269,  
D23/249; 137/516.13–516.27; 251/368;  
277/602, 608, 625–626; 285/104–105, 337  
See application file for complete search history.

(56) **References Cited**

**U.S. PATENT DOCUMENTS**

- 1,899,695 A 2/1933 Johnson
- 3,304,050 A 2/1967 Fawkes
- 3,351,352 A 11/1967 Blakeley et al.
- 3,540,696 A 11/1970 Fawkes et al.
- 3,544,066 A 12/1970 Fawkes et al.
- 3,834,744 A \* 9/1974 Masatchi ..... 277/607
- 3,993,332 A \* 11/1976 Borodin et al. .... 285/94

(Continued)

*Primary Examiner*—T. Chase Nelson

*Assistant Examiner*—Eric L Goodman

(74) *Attorney, Agent, or Firm*—Ballard Spahr LLP

(57) **CLAIM**

We claim the ornamental design for a gasket, as shown and described.

**DESCRIPTION**

FIG. 1 is an isometric view of a first embodiment of our design for a gasket;

FIG. 2 is a front view of the design for the gasket shown in FIG. 1, the rear view being identical;

FIG. 3 is a left side view of the design for the gasket shown in FIG. 1, the right side view and the top and bottom views being identical;

FIG. 4 is a cross sectional view of the design for the gasket shown in FIG. 1 taken at line 4—4 of FIG. 2;

FIG. 5 is an isometric view of a second embodiment of our design for a gasket;

FIG. 6 is a front view of the design for the gasket shown in FIG. 5, the rear view being identical;

FIG. 7 is a left side view of the design for the gasket shown in FIG. 5, the right side view and the top and bottom views being identical;

FIG. 8 is a cross sectional view of the design for the gasket shown in FIG. 5 taken at line 8—8 of FIG. 6;

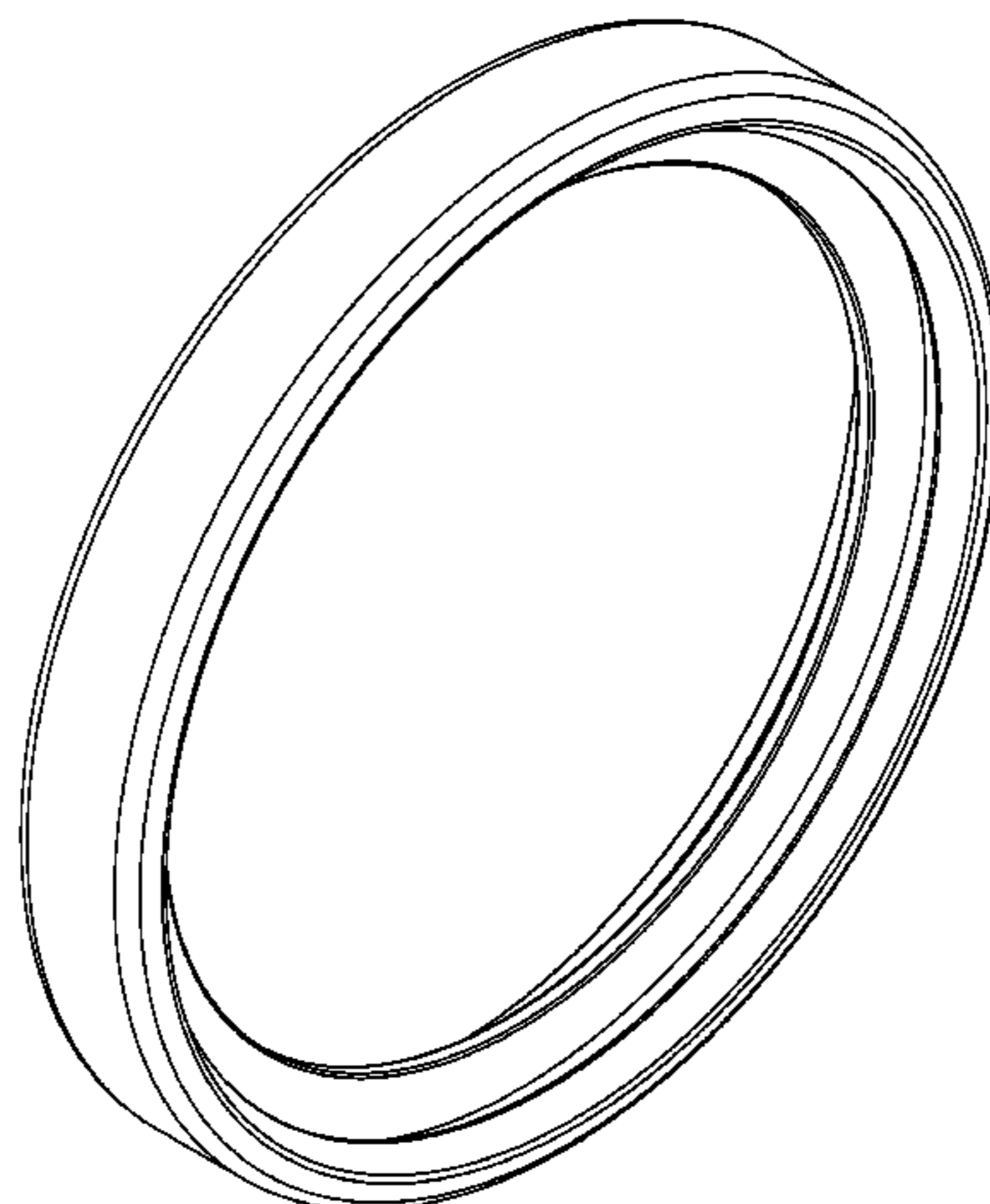
FIG. 9 is an isometric view of a third embodiment of our design for a gasket;

FIG. 10 is a front view of the design for the gasket shown in FIG. 9, the rear view being identical;

FIG. 11 is a left side view of the design for the gasket shown in FIG. 9, the right side view and the top and bottom views being identical; and,

FIG. 12 is a cross sectional view of the design for the gasket shown in FIG. 9 taken at line 12—12 of FIG. 10.

**1 Claim, 12 Drawing Sheets**



# US D614,272 S

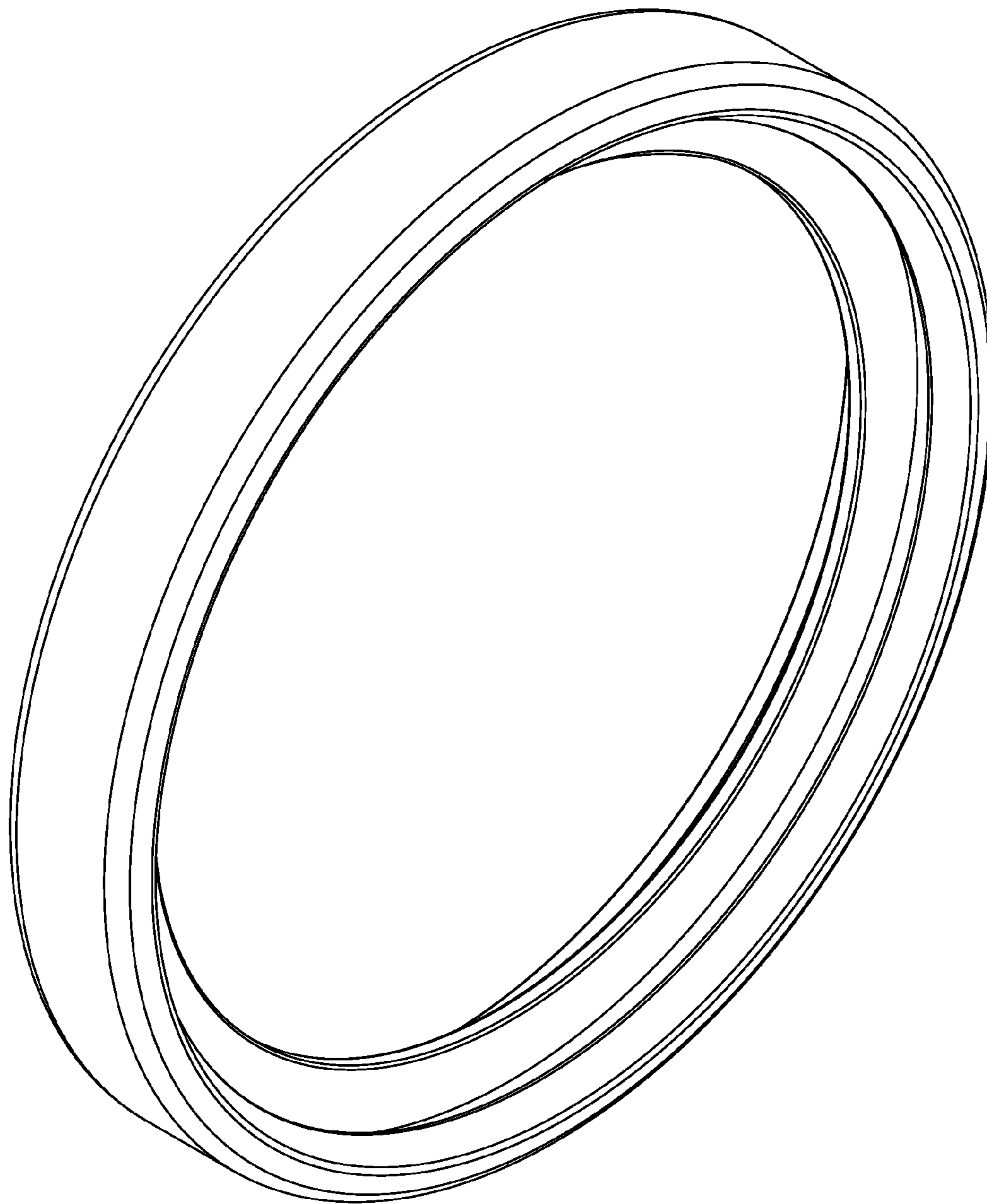
Page 2

---

## U.S. PATENT DOCUMENTS

6,312,025	B1 *	11/2001	Wolfsdorf .....	285/369	D529,146	S	9/2006	Wortmann et al.	
6,938,879	B2	9/2005	Bancroft et al.		D534,253	S *	12/2006	Sandman et al. ....	D23/269
D526,705	S	8/2006	Wortmann et al.		D536,071	S	1/2007	Wortmann et al.	
D527,445	S	8/2006	Wortmann et al.		2005/0253383	A1	11/2005	Gibb et al.	
D529,145	S	9/2006	Wortmann et al.		2008/0018057	A1 *	1/2008	Gibb et al. ....	277/608
					2008/0272595	A1 *	11/2008	Gibb et al. ....	285/337

\* cited by examiner



*FIG. 1*

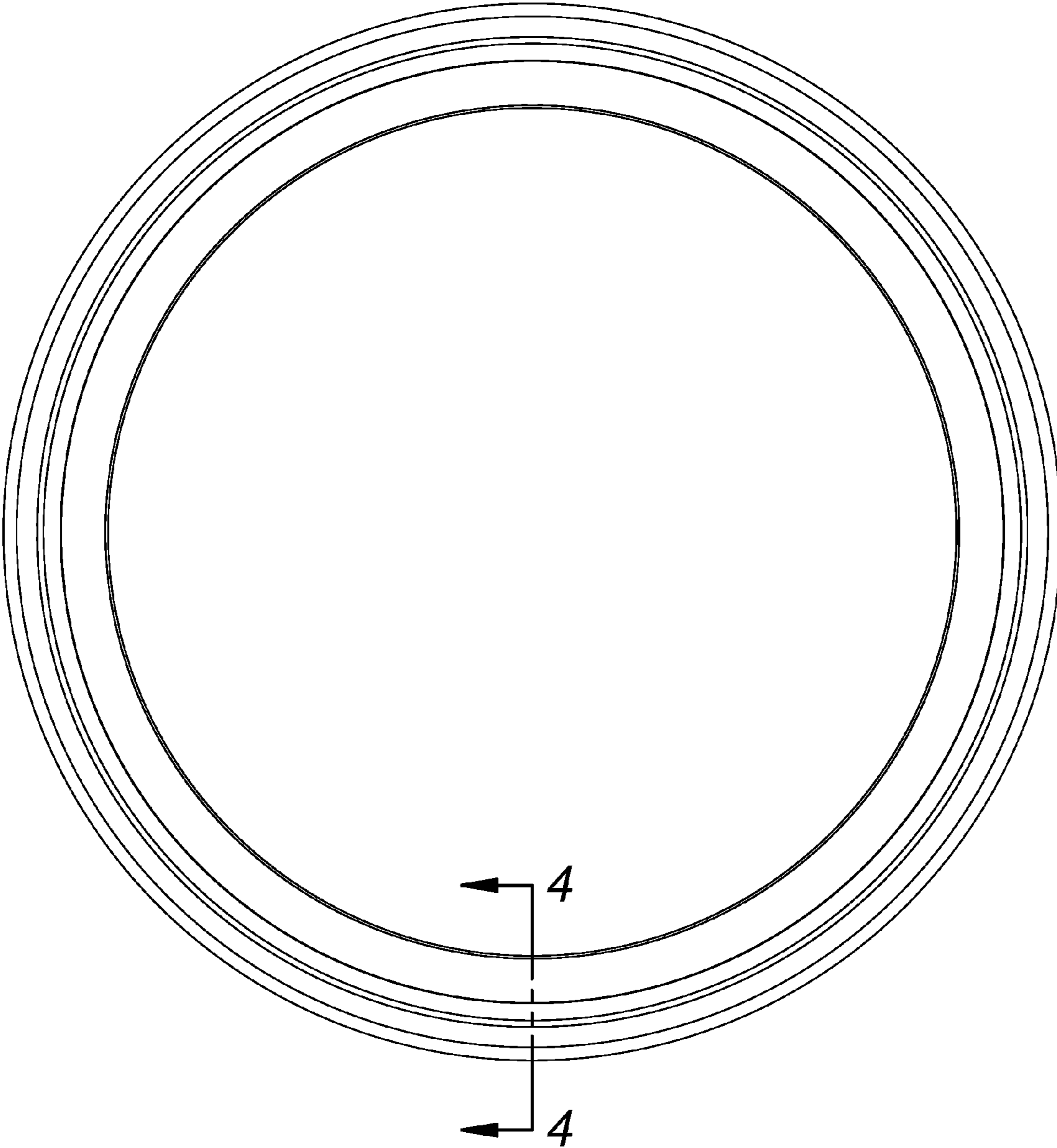
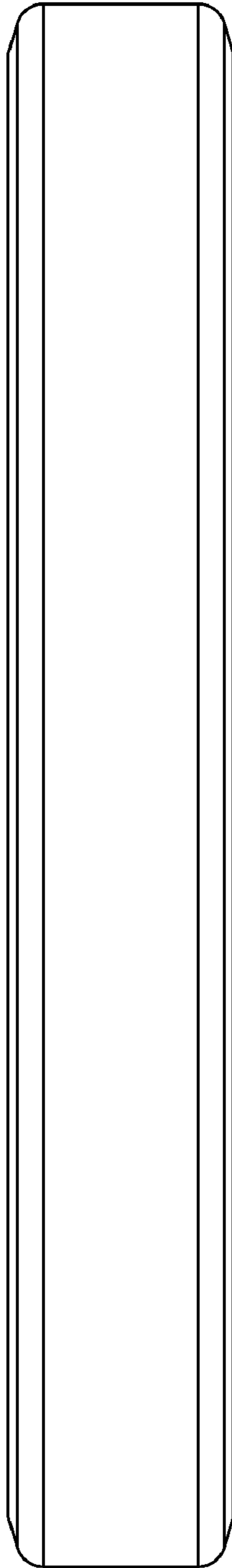
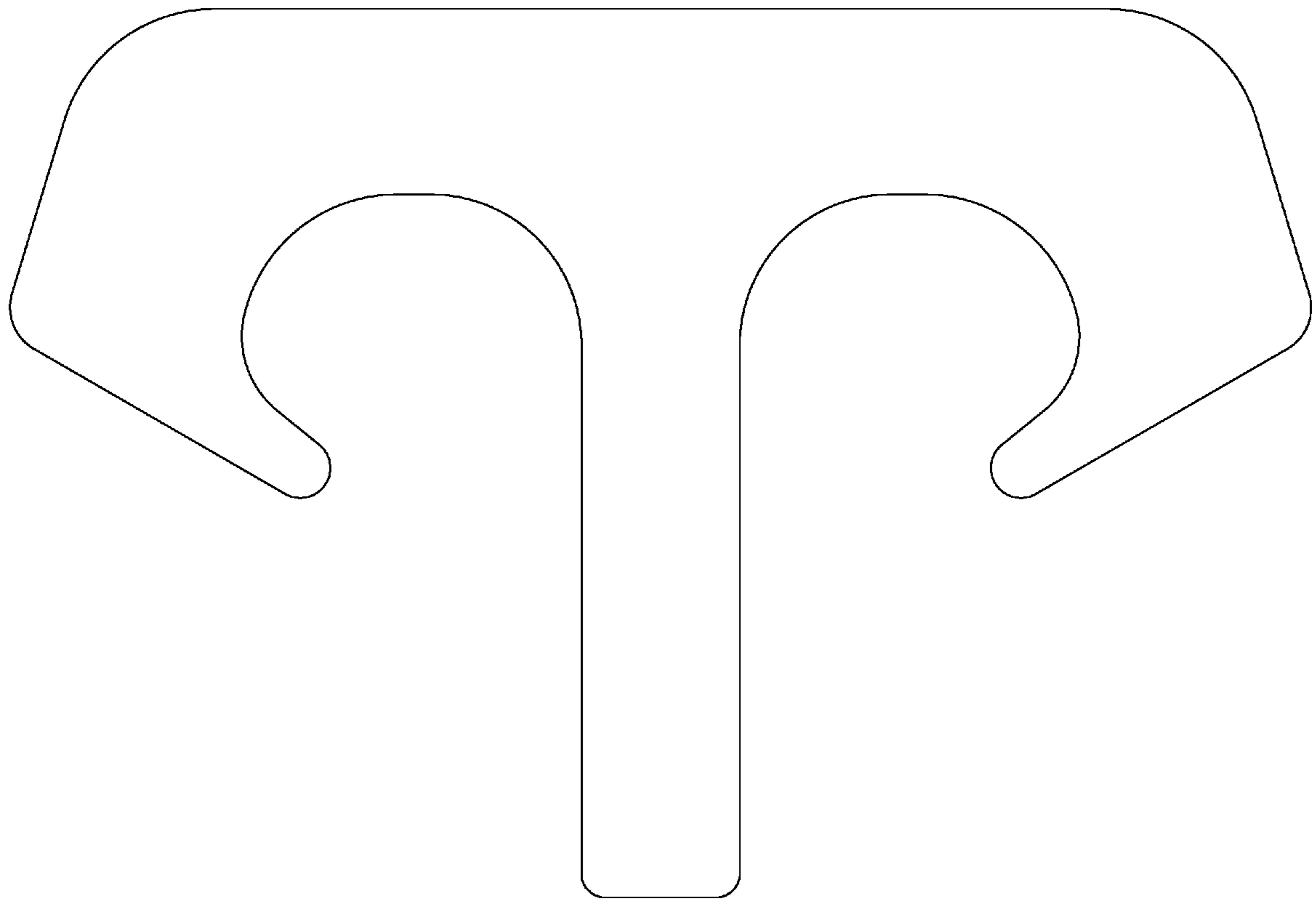


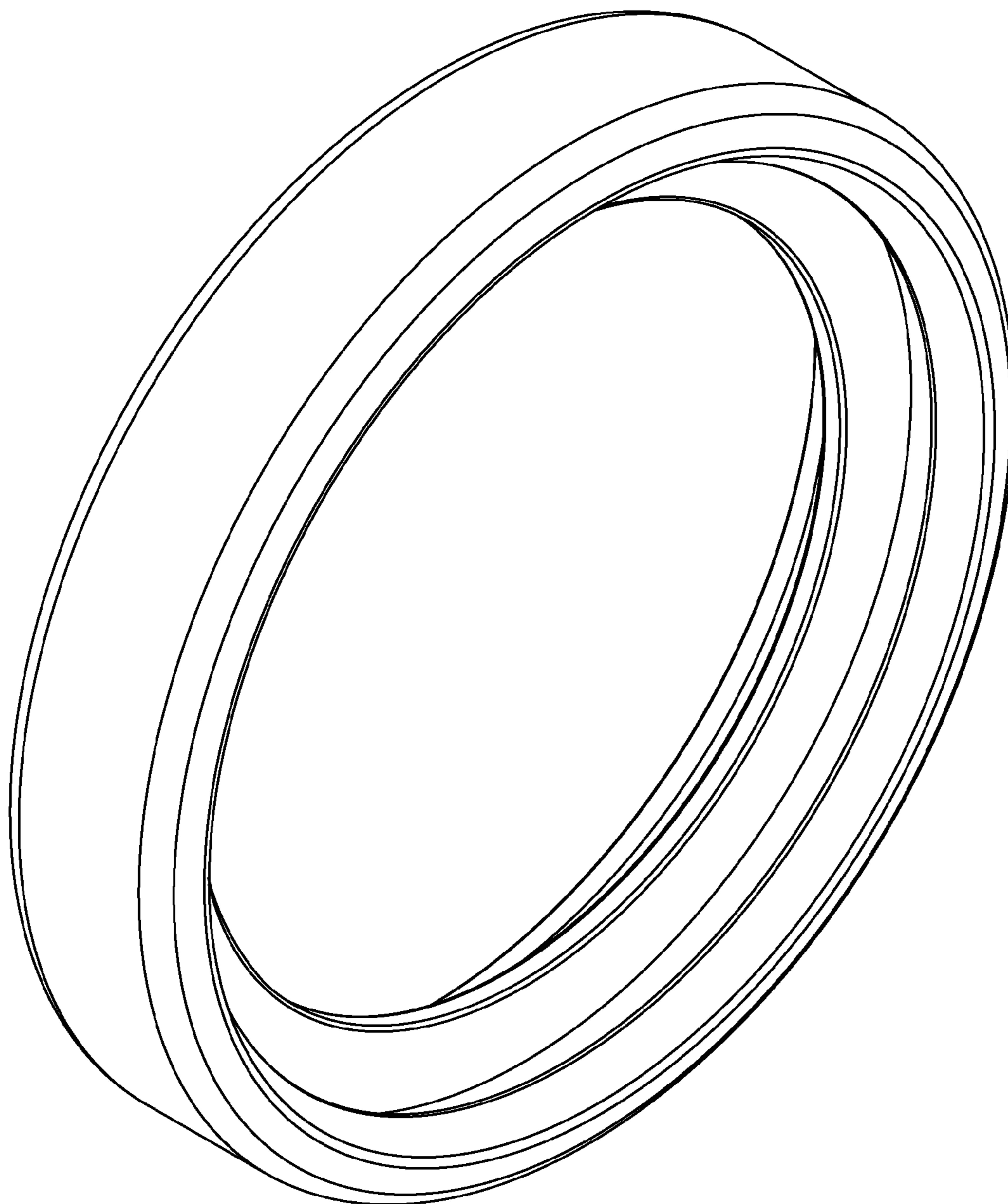
FIG.2



***FIG.3***



***FIG.4***



**FIG. 5**

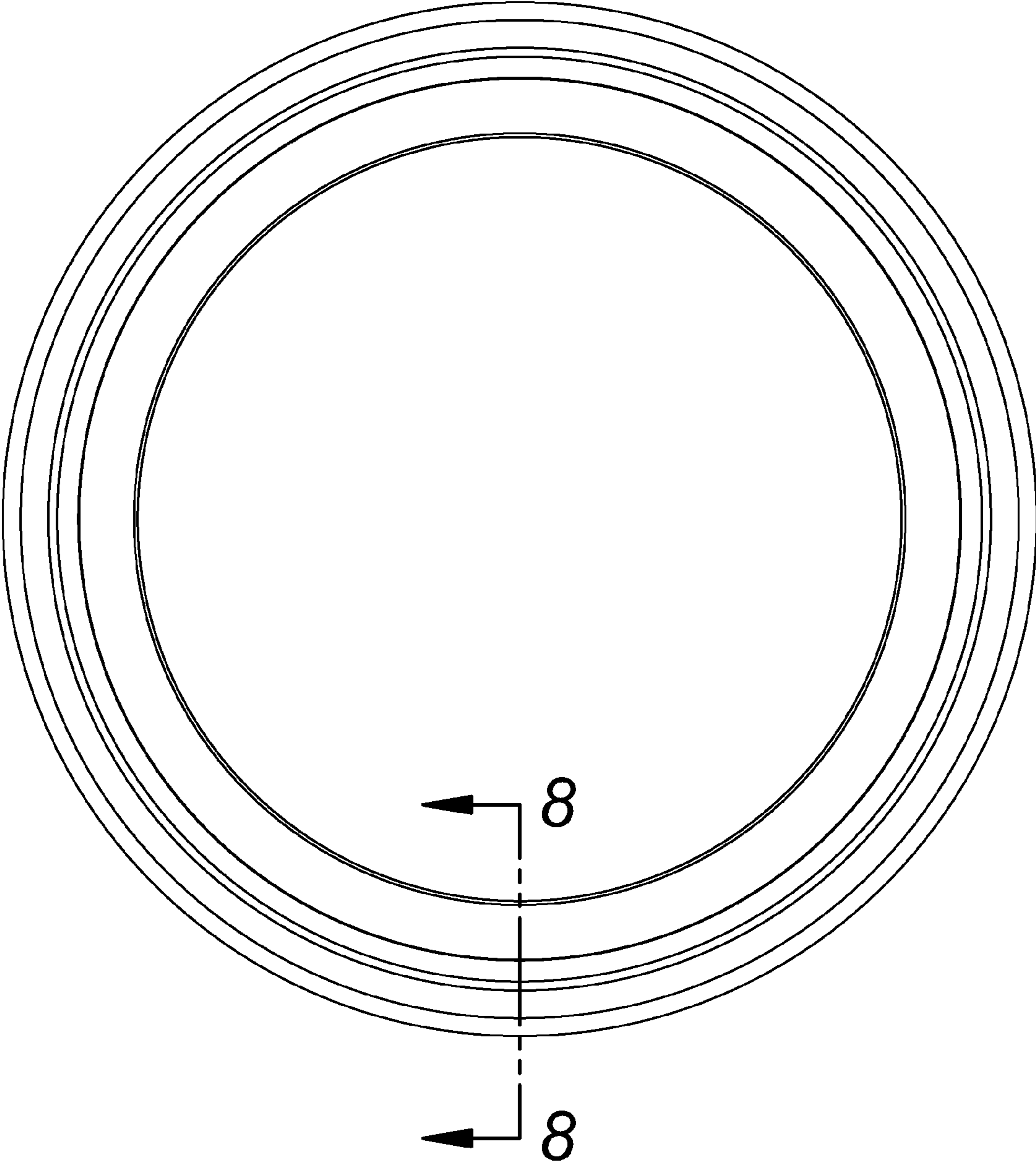
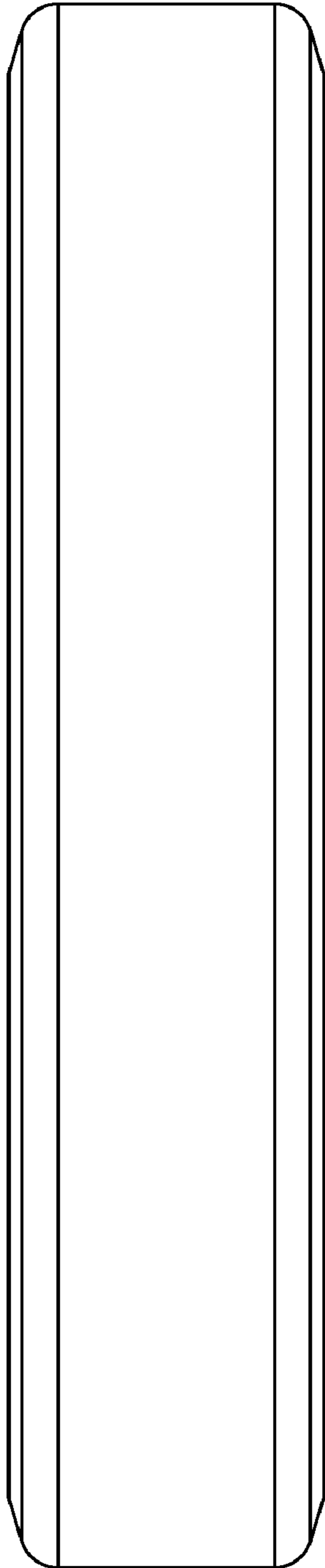
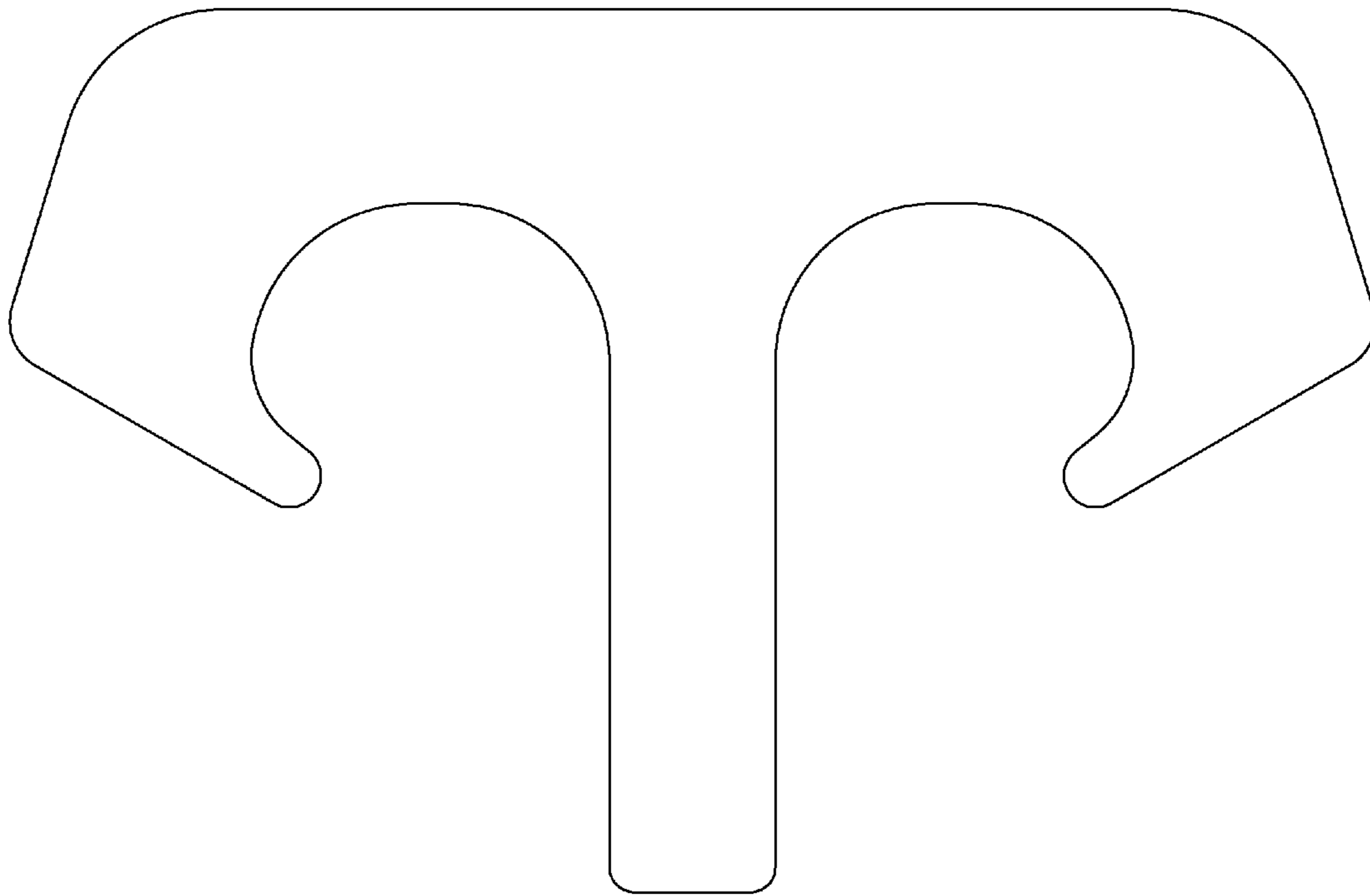


FIG.6

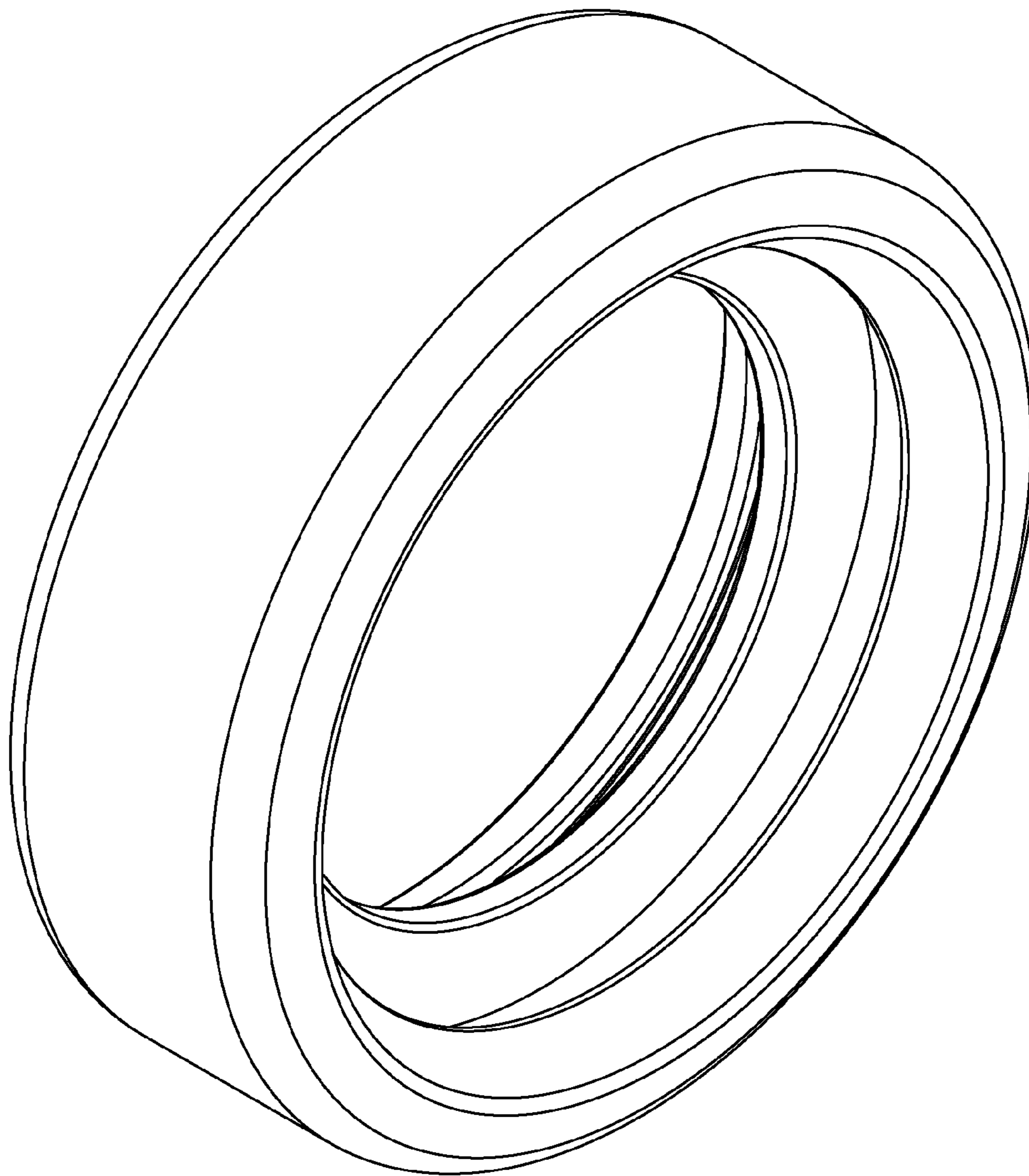




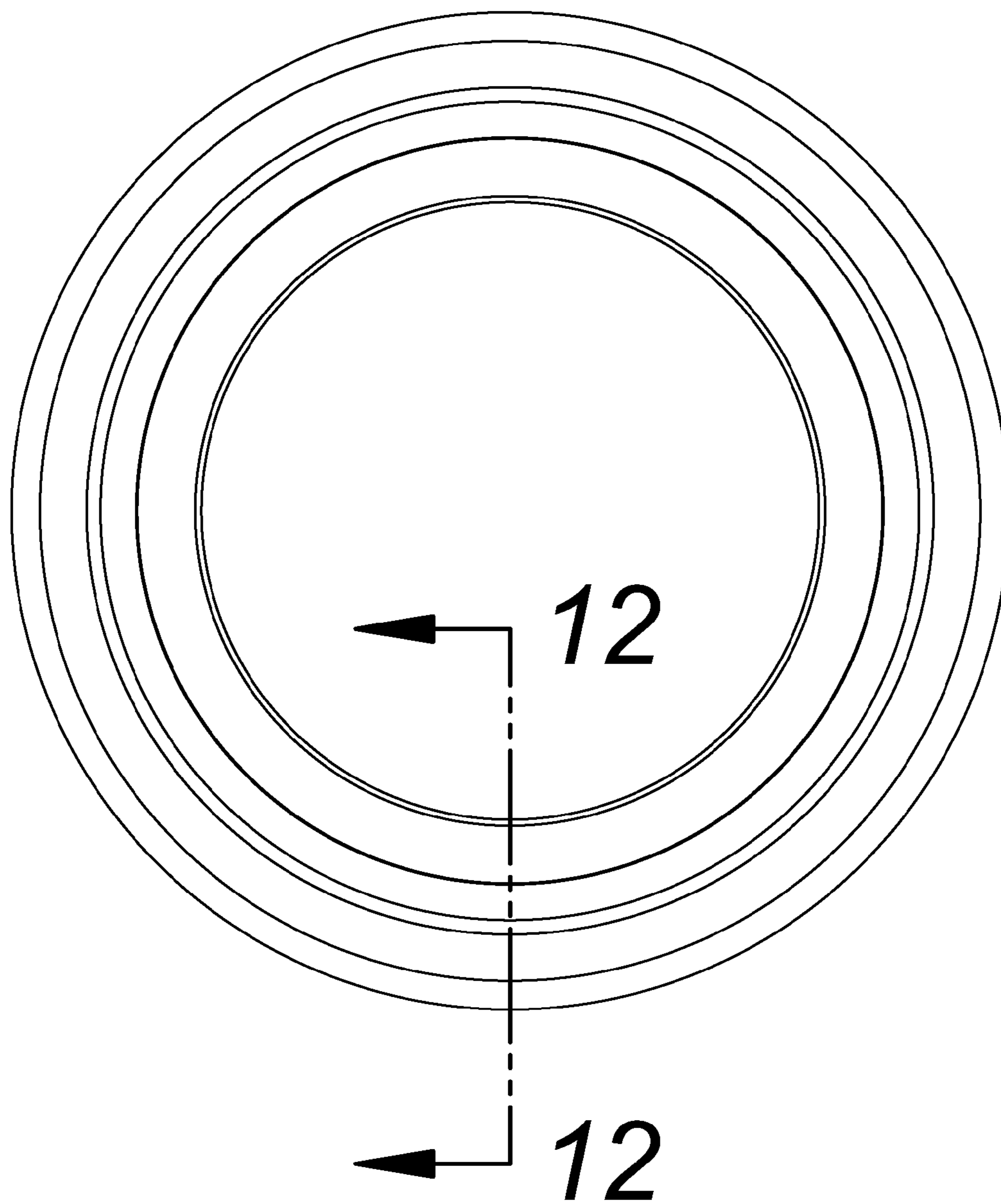
***FIG. 7***



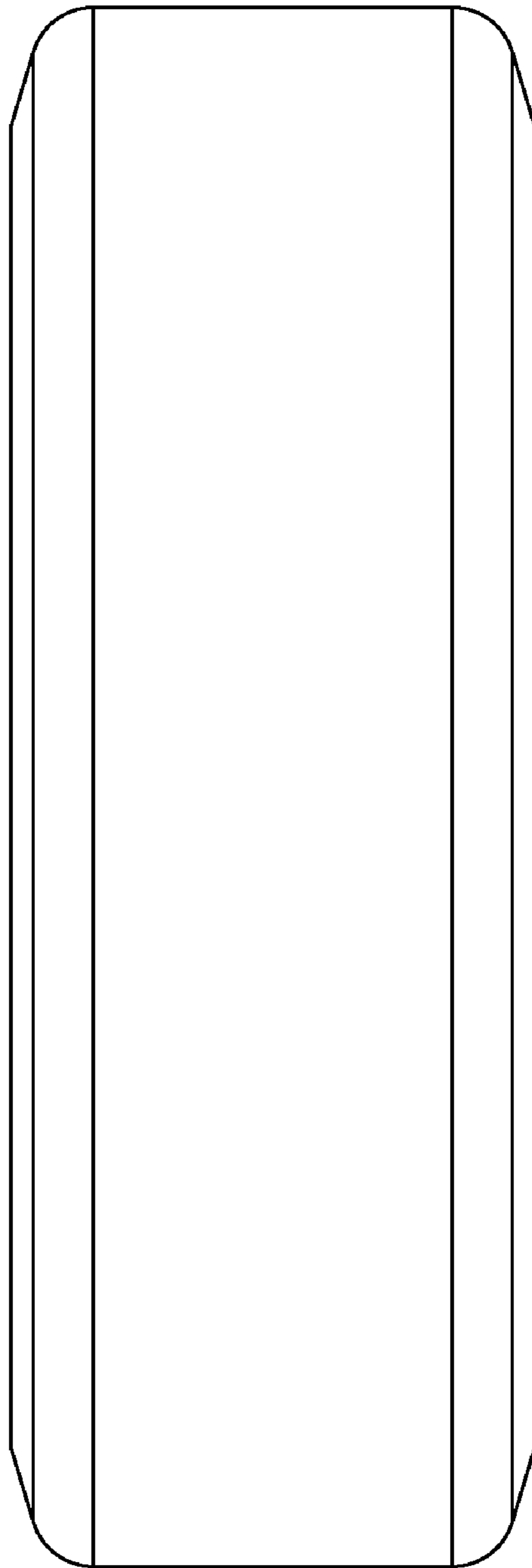
***FIG. 8***



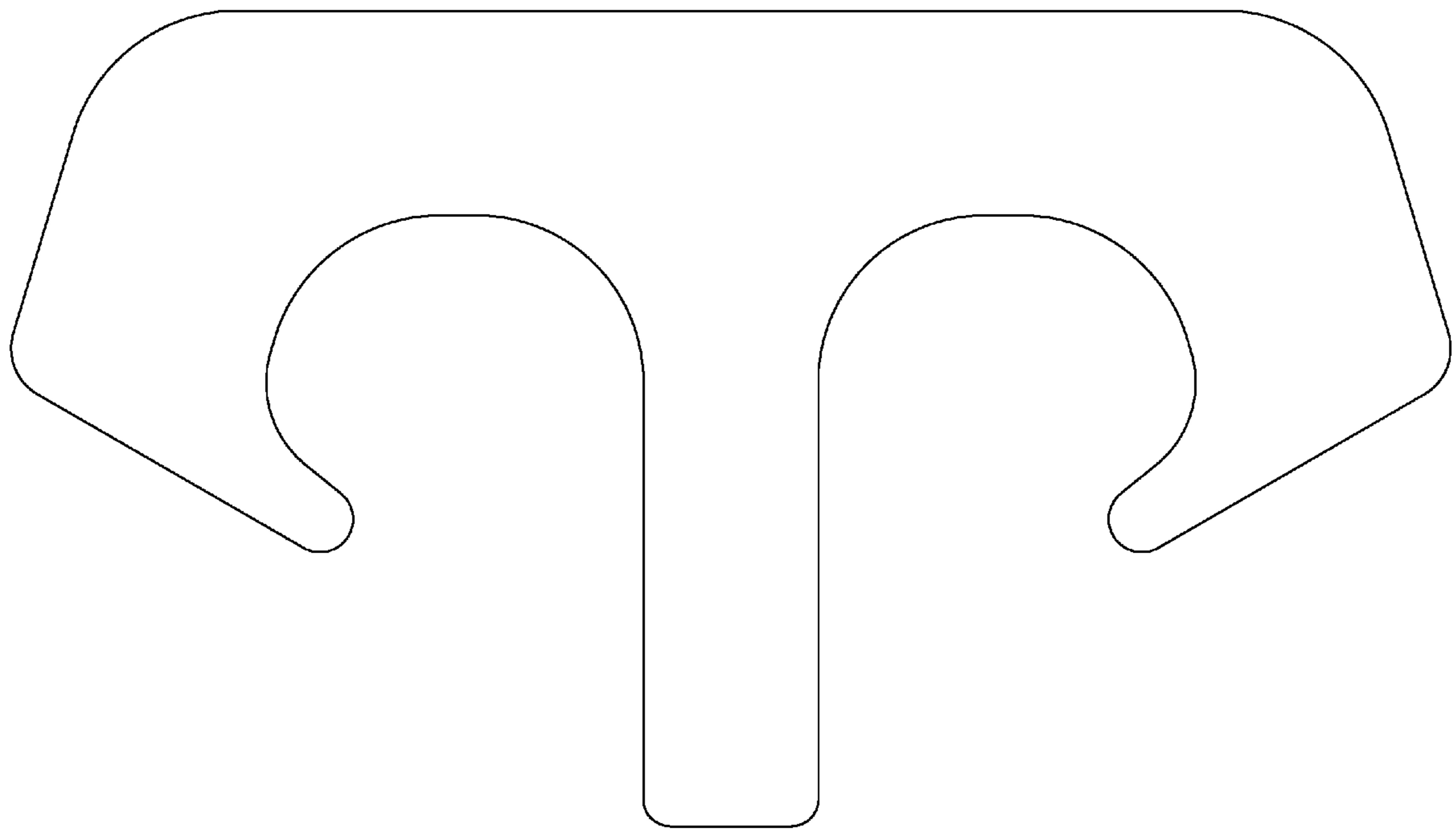
***FIG. 9***



**FIG. 10**



***FIG. 11***



***FIG. 12***