



US00D614270S

(12) **United States Design Patent**  
**Green et al.**

(10) **Patent No.:** **US D614,270 S**

(45) **Date of Patent:** **\*\* Apr. 20, 2010**

(54) **ENDFORM FOR HOSE**

2008/0289231 A1\* 11/2008 Green et al. .... 40/316

\* cited by examiner

(75) Inventors: **Ronald D. Green**, New Hudson, MI (US); **Kurt A. Klimkiewicz**, Dearborn, MI (US)

*Primary Examiner*—Daniel D Bui

*Assistant Examiner*—Thomas J Johannes

(73) Assignee: **Brass-Craft Manufacturing Company**, Novi, MI (US)

(74) *Attorney, Agent, or Firm*—Edgar A. Zarins; Nirav D. Parikh

(\*\*) Term: **14 Years**

(57) **CLAIM**

(21) Appl. No.: **29/292,526**

The ornamental design for an endform for hose, as shown and described.

(22) Filed: **Oct. 15, 2007**

**DESCRIPTION**

(51) **LOC (9) Cl.** ..... **23-01**

FIG. 1 is a perspective view of an endform for hose showing our new design;

(52) **U.S. Cl.** ..... **D23/266**

FIG. 2 is a reverse perspective view thereof;

(58) **Field of Classification Search** ..... D23/213, D23/226, 229, 259–266; 239/458; 285/239, 285/458; 40/316

FIG. 3 is a cross-sectional view thereof;

FIG. 4 is a first side view thereof;

See application file for complete search history.

FIG. 5 is a second side view thereof;

FIG. 6 is a third side view thereof; and,

(56) **References Cited**

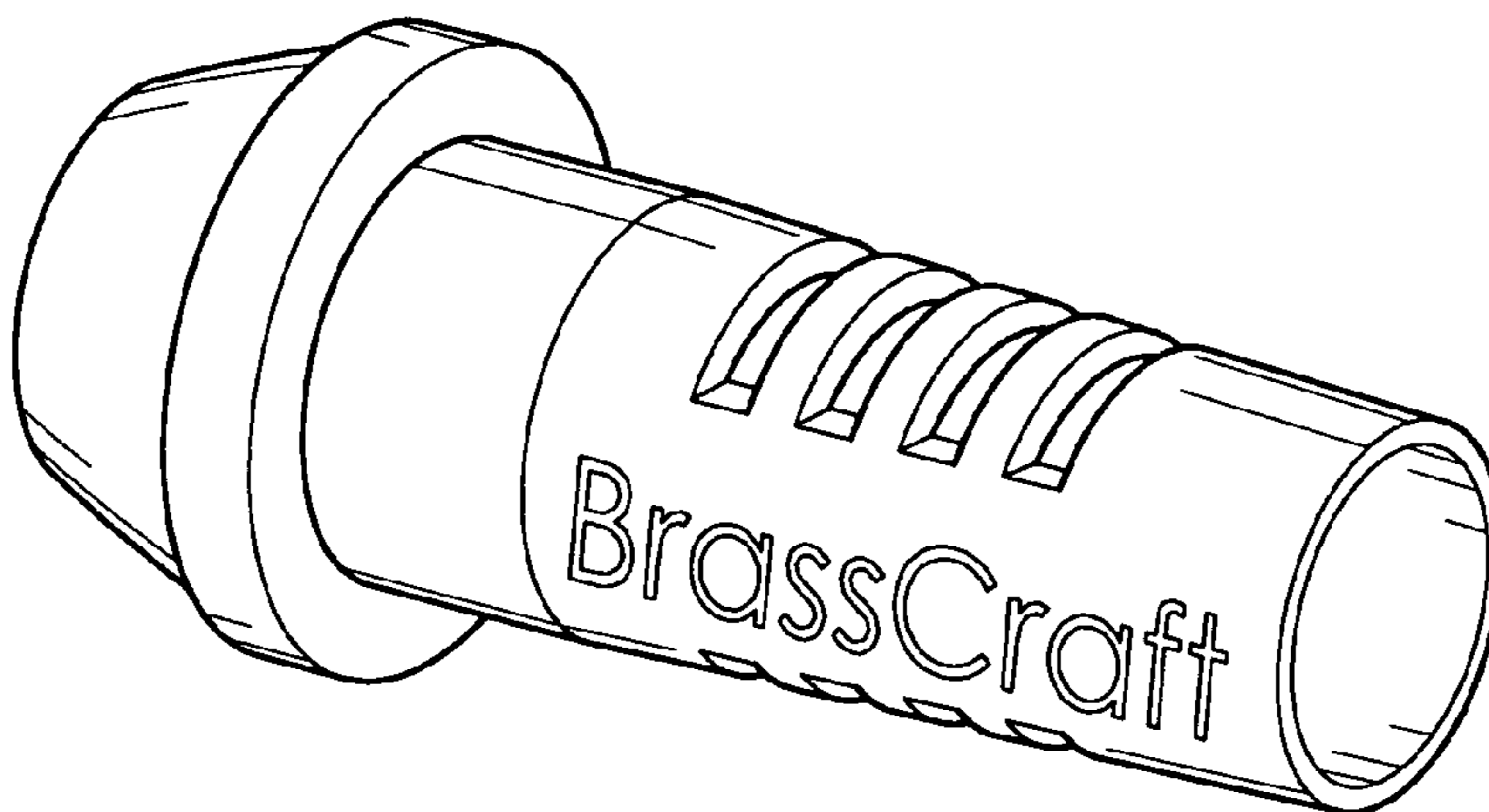
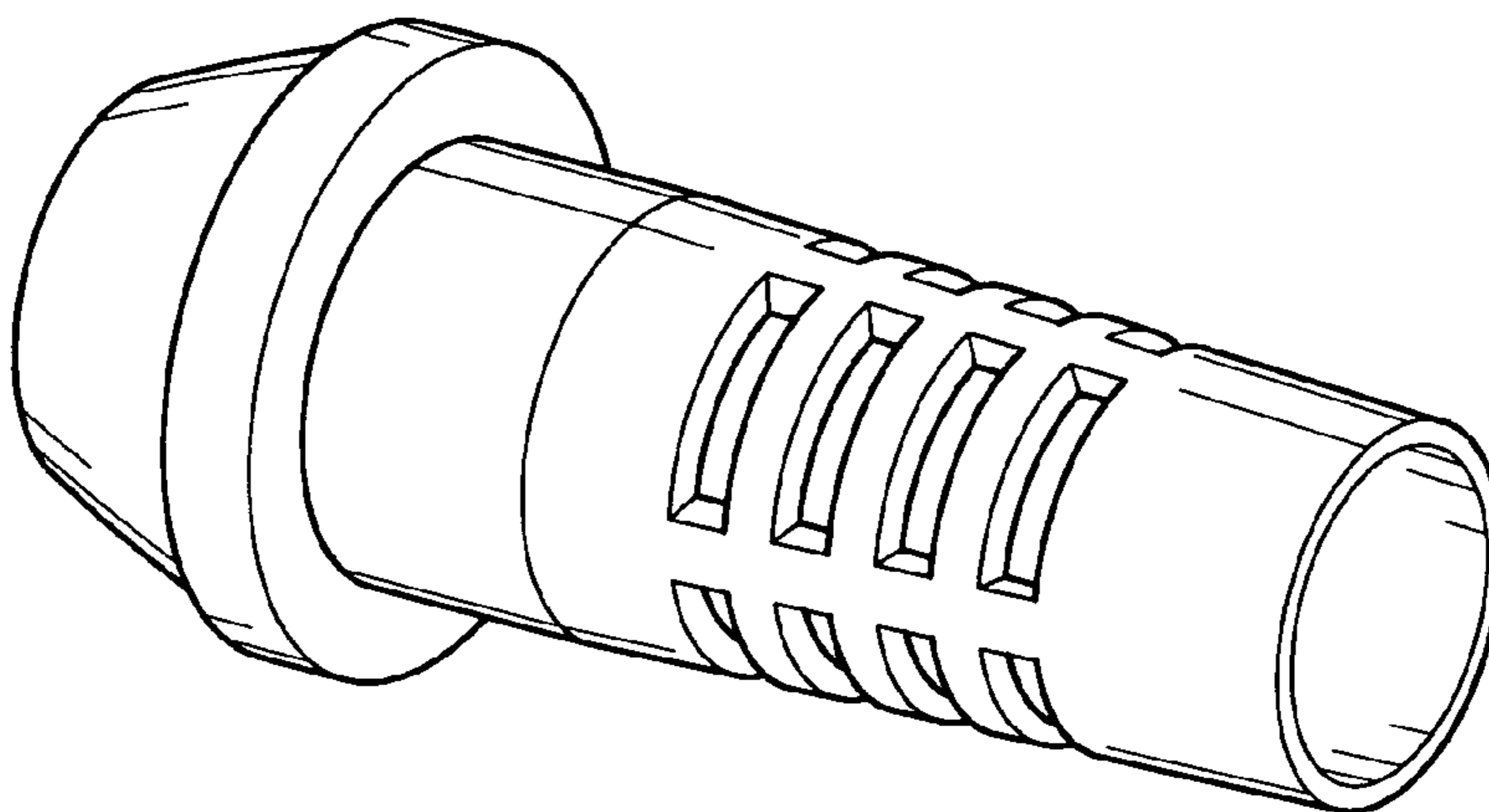
**U.S. PATENT DOCUMENTS**

3,001,725	A *	9/1961	Lockett	.....	239/458
D396,730	S *	8/1998	Schaupp	.....	D23/259
D409,729	S *	5/1999	Dreyfus et al.	.....	D23/266
D570,953	S *	6/2008	Patterson et al.	.....	D23/213
D591,407	S *	4/2009	Youssef et al.	.....	D23/266

FIG. 7 is a lateral cross-section view thereof taken along line 7—7 in FIGS. 4 and 5.

The BrassCraft name plate forming part of the claimed design is a registered trademark of BrassCraft.

**1 Claim, 2 Drawing Sheets**



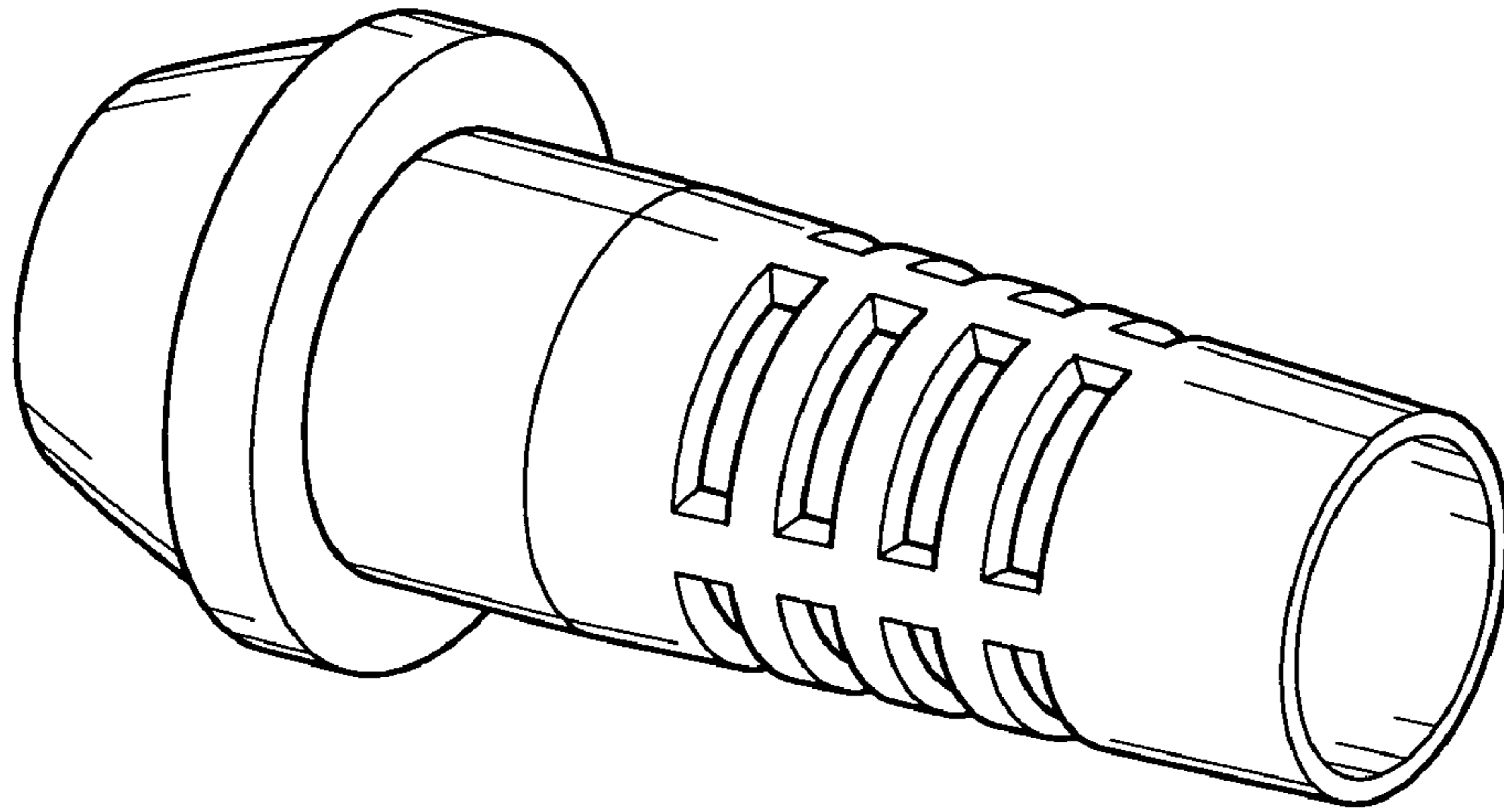


Fig-1

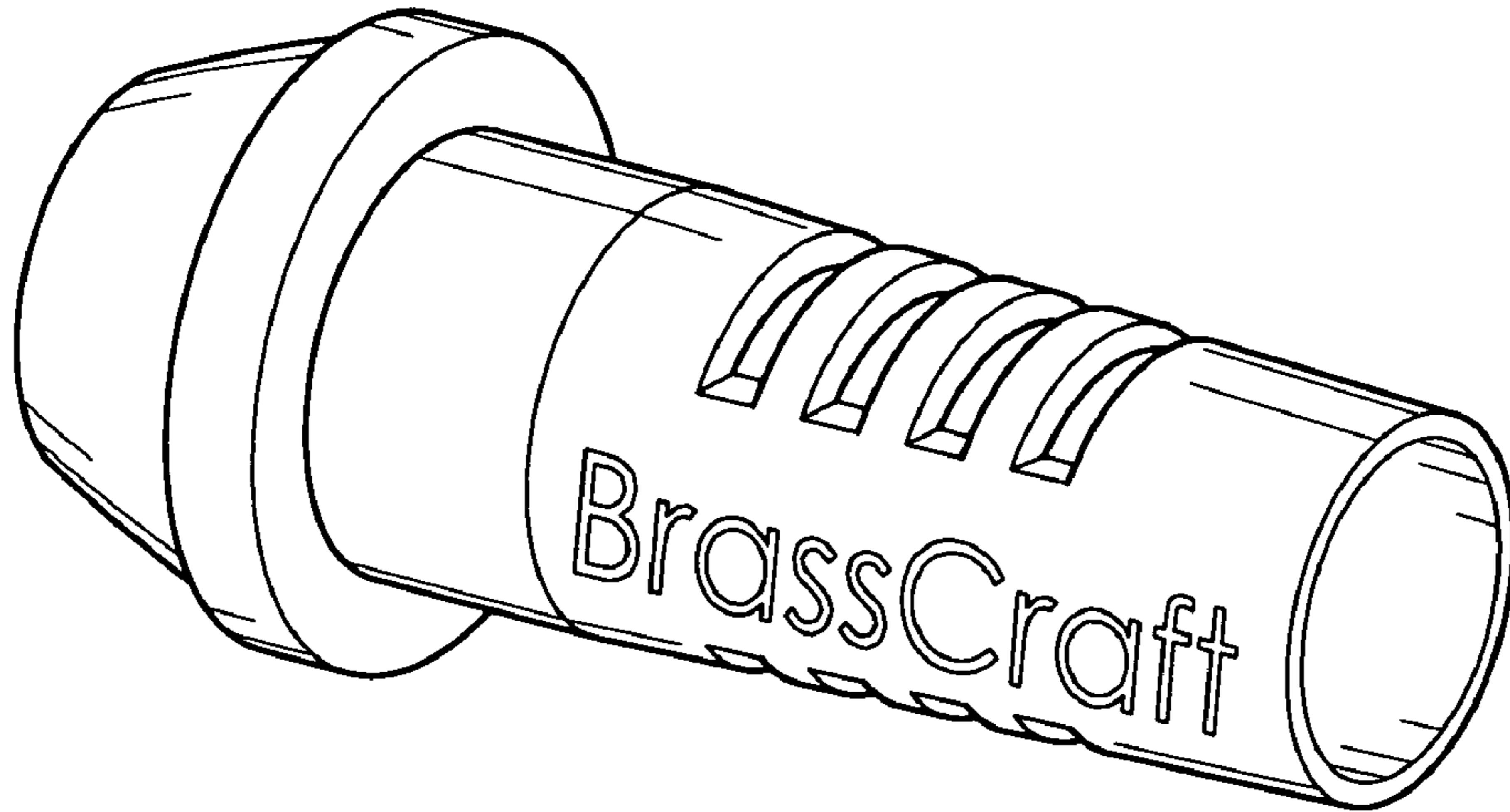


Fig-2

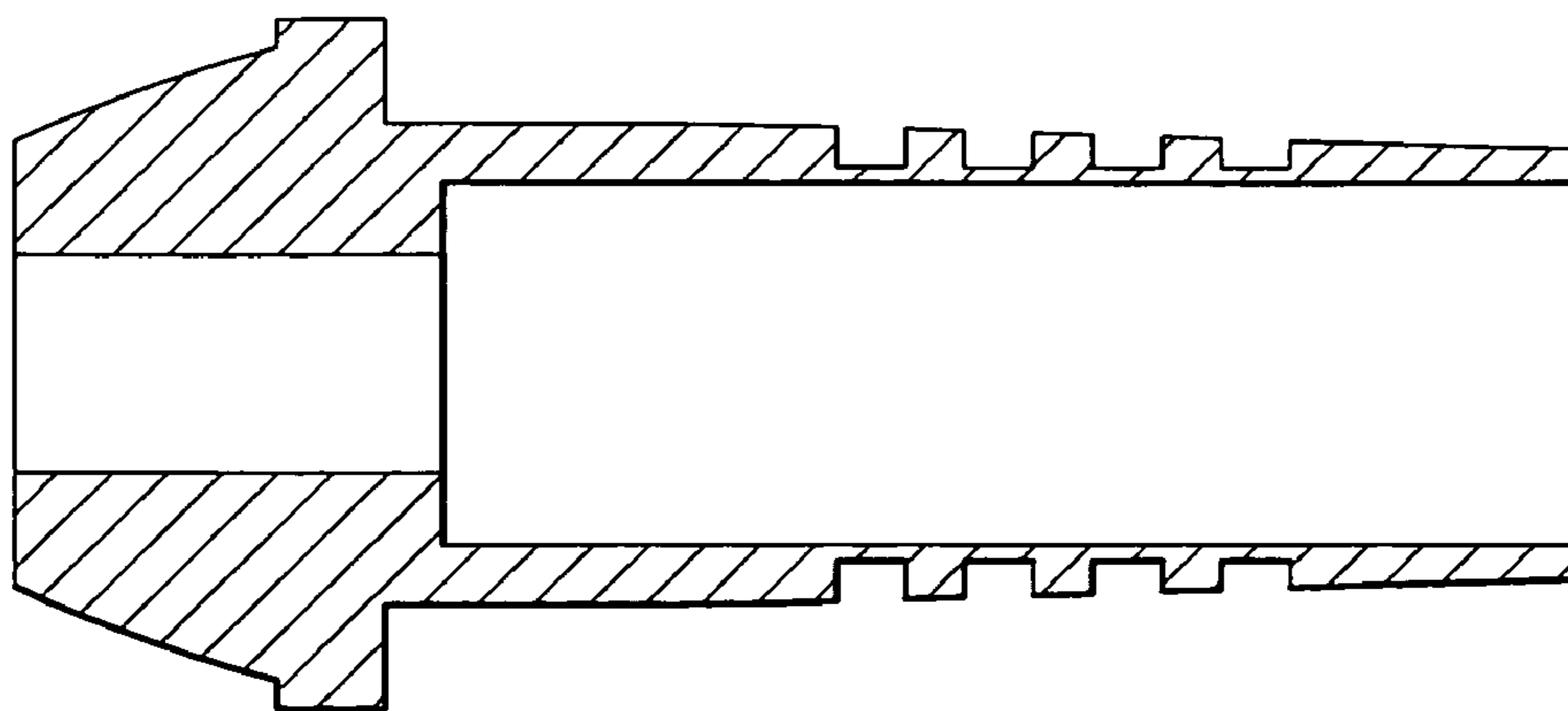


Fig-3

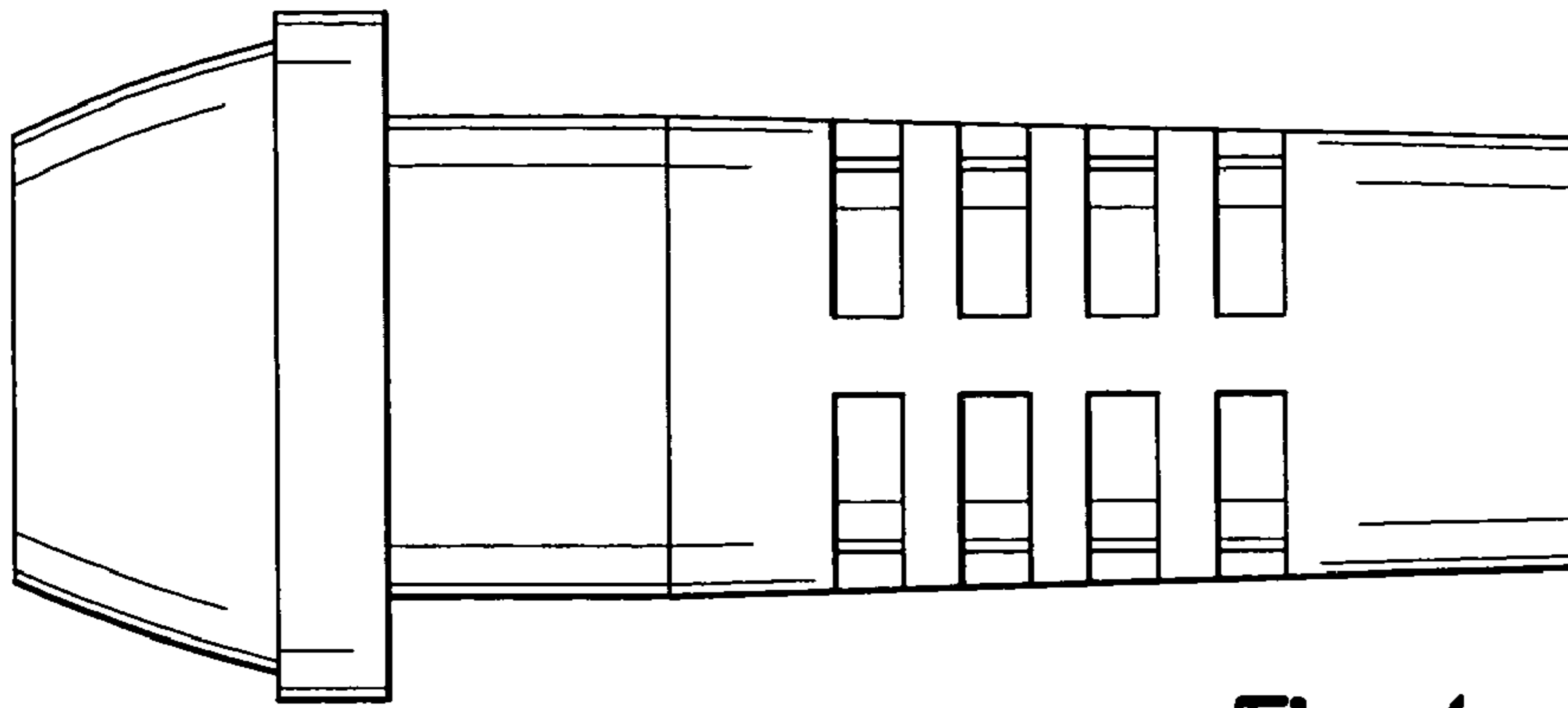


Fig-4

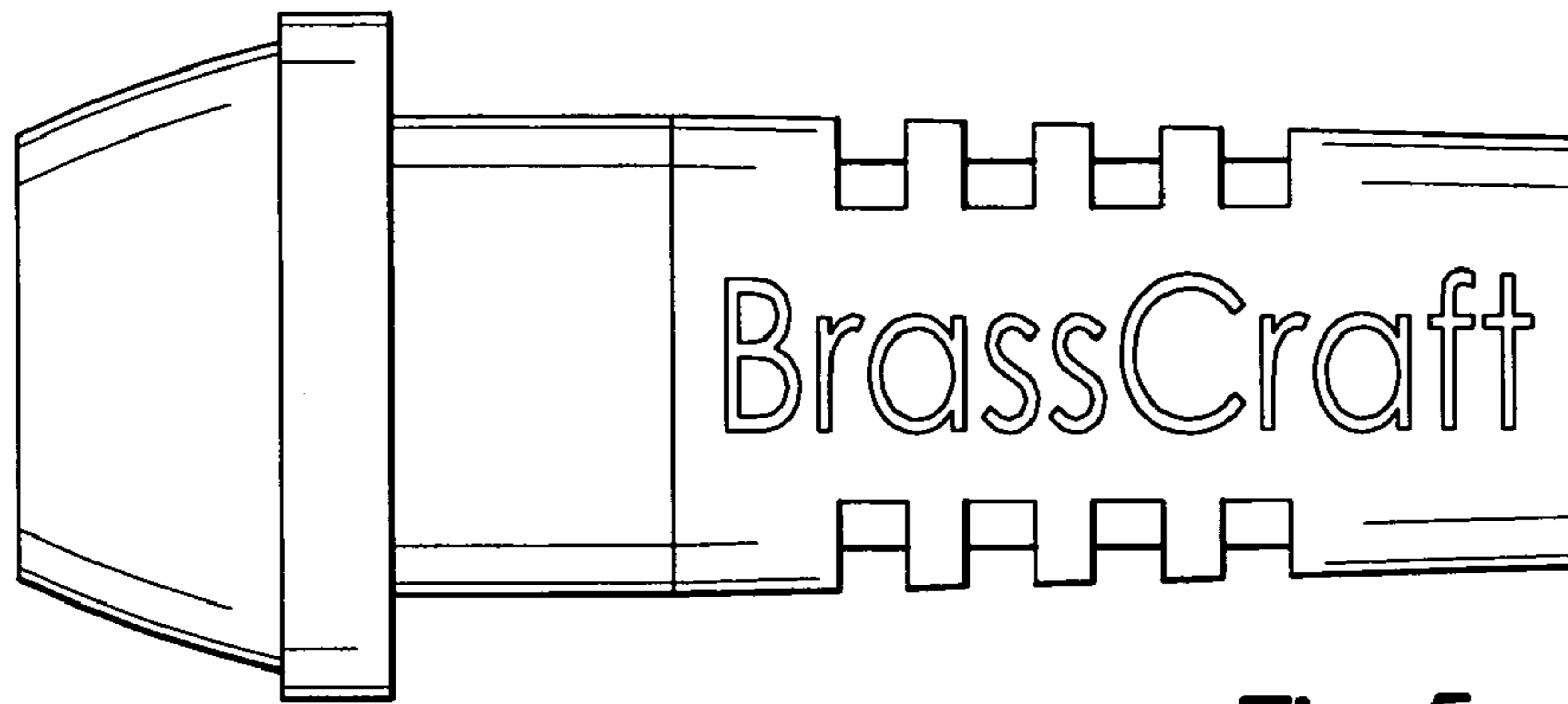


Fig-5

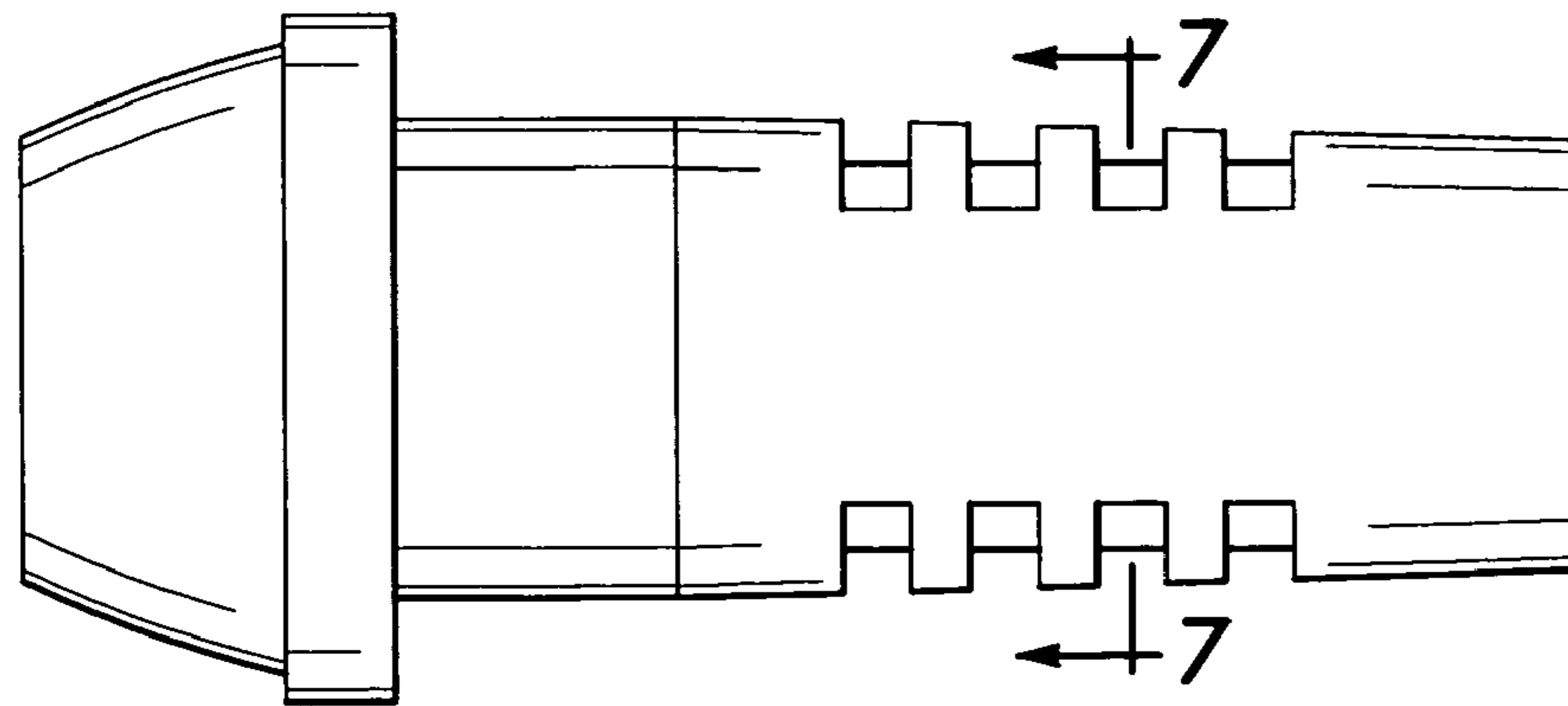


Fig-6

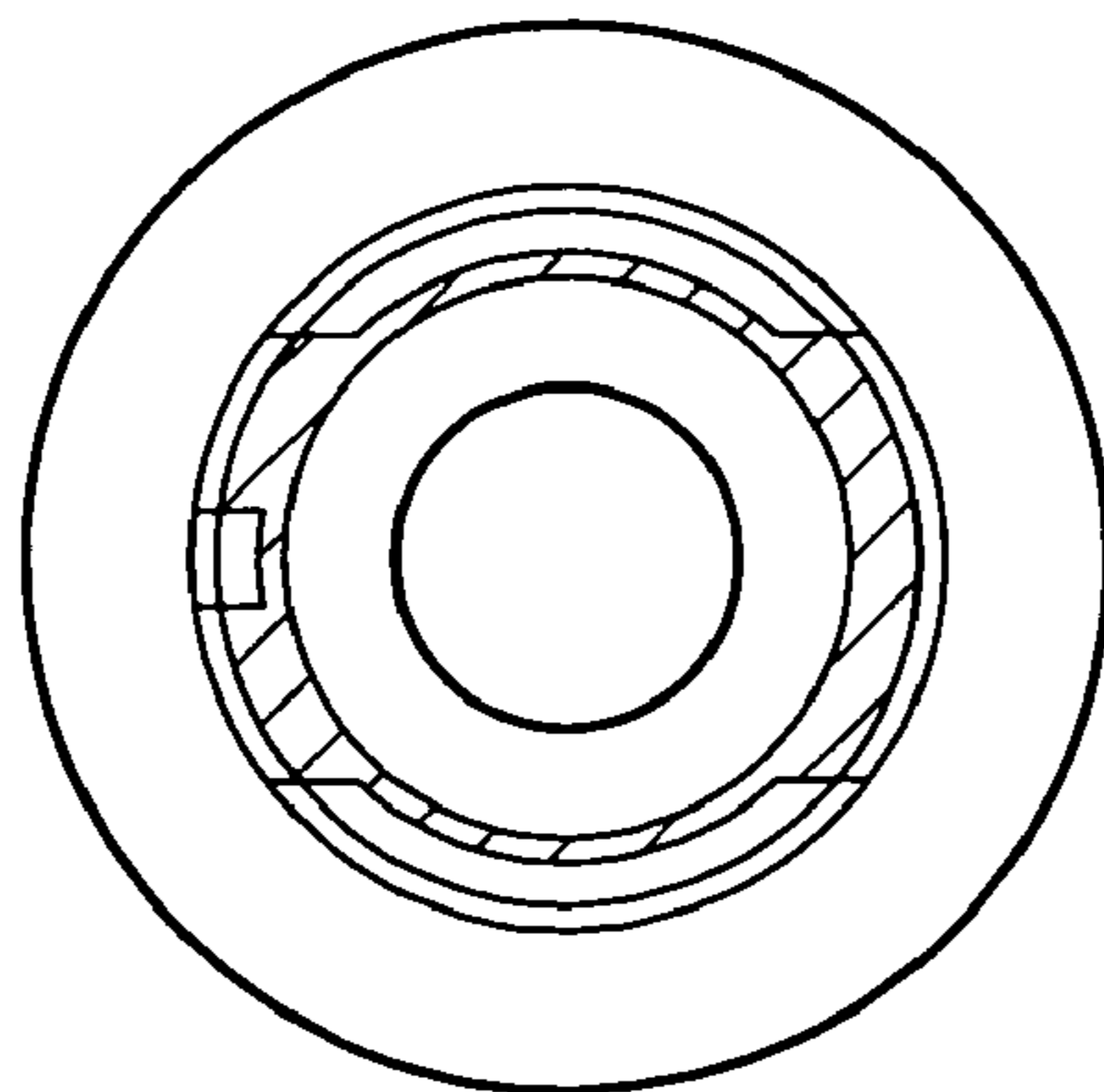


Fig-7