

US00D614268S

(12) **United States Design Patent**  
**Breda**

(10) **Patent No.:** **US D614,268 S**  
(45) **Date of Patent:** **\*\* Apr. 20, 2010**

(54) **SHOWER STRAINER**

(76) Inventor: **Silvano Breda**, 125 Limestone Crescent,  
Downsview, Ontario (CA) M3J 2R1

(\*\*) Term: **14 Years**

(21) Appl. No.: **29/290,780**

(22) Filed: **Jan. 14, 2008**

(30) **Foreign Application Priority Data**

Nov. 19, 2007 (CA) ..... 123272

(51) **LOC (9) Cl.** ..... **23-01**

(52) **U.S. Cl.** ..... **D23/261**

(58) **Field of Classification Search** ..... D23/259-269;  
4/286-295, 679-694, 596-614

See application file for complete search history.

(56) **References Cited**

U.S. PATENT DOCUMENTS

~~D418,100 S~~ \* ~~7/2000~~ ~~Rodgers~~ ..... ~~D23/259~~  
~~Zandvar~~

(Continued)

*Primary Examiner*—T. Chase Nelson

*Assistant Examiner*—Eric L Goodman

(74) *Attorney, Agent, or Firm*—Neil H. Hughes; Ivor M. Hughes; Marcelo Sarkis

(57) **CLAIM**

The ornamental design for a shower strainer, as shown and described.

**DESCRIPTION**

FIG. 1 is a perspective view of the shower strainer embodying all embodiments of my new design;

FIG. 2 is a top view of the shower strainer embodying all embodiments of the design;

FIG. 3 is a side view of the shower strainer embodying all embodiments of the design;

FIG. 4 is an exploded view of the shower strainer of a first embodiment of the design;

FIG. 5 is a second exploded view of the shower strainer of a first embodiment of the design;

FIG. 6 is a bottom view of the shower strainer cap of a first embodiment of the design;

FIG. 7 is a top view of the shower strainer adaptor of a first embodiment of the design;

FIG. 8 is an exploded view of the shower strainer adaptor of an embodiment variant of the design;

FIG. 9 is a bottom view of the shower strainer cap of a second embodiment of the design;

FIG. 10 is a top view of the shower strainer adaptor of a second embodiment of the design;

FIG. 11 is an exploded view of the shower strainer of a third embodiment of the design;

FIG. 12 is a bottom view of the shower strainer cap of a third embodiment of the design;

FIG. 13 is a top view of the shower strainer adaptor of a third embodiment of the design;

FIG. 14 is an exploded view of the shower strainer adaptor of a fourth embodiment of the design;

FIG. 15 is a bottom view of the shower strainer cap of a fourth embodiment of the design;

FIG. 16 is a top view of the shower strainer adaptor of a fourth embodiment of the design.

FIG. 17 is an exploded view of the shower strainer of a fifth embodiment of the design;

FIG. 18 is a bottom view of the shower strainer cap of a fifth embodiment of the design;

FIG. 19 is a top view of the shower strainer adaptor of a fifth embodiment of the design;

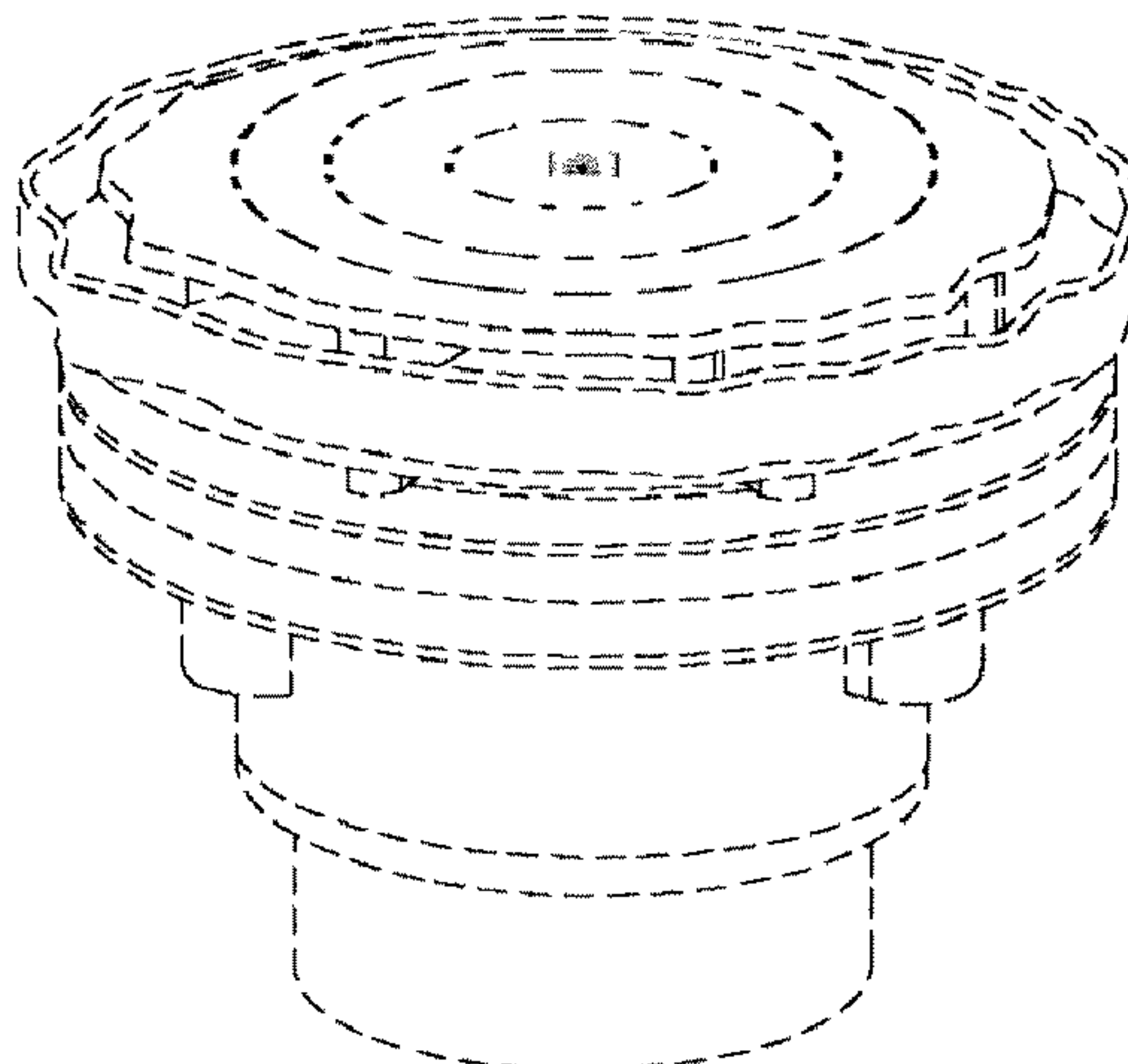
FIG. 20 is an exploded view of the shower strainer adaptor of a sixth embodiment of the design;

FIG. 21 is a bottom view of the shower strainer cap of a sixth embodiment of the design; and,

FIG. 22 is a top view of the shower strainer adaptor of a sixth embodiment of the design.

Any broken lines shown in FIGS. 1-22 are included for the purpose of illustrating the environment of the articles in use and those portions of the article form no part of the claimed design.

**1 Claim, 22 Drawing Sheets**



# US D614,268 S

Page 2

---

## U.S. PATENT DOCUMENTS

6,163,896 A *	12/2000	Lee	.....	4/289	6,319,397 B1 *	11/2001	Su et al.	.....	210/163
6,175,971 B1 *	1/2001	O'Neill	.....	4/613	2003/0159211 A1 *	8/2003	Hodges	.....	4/679

\* cited by examiner

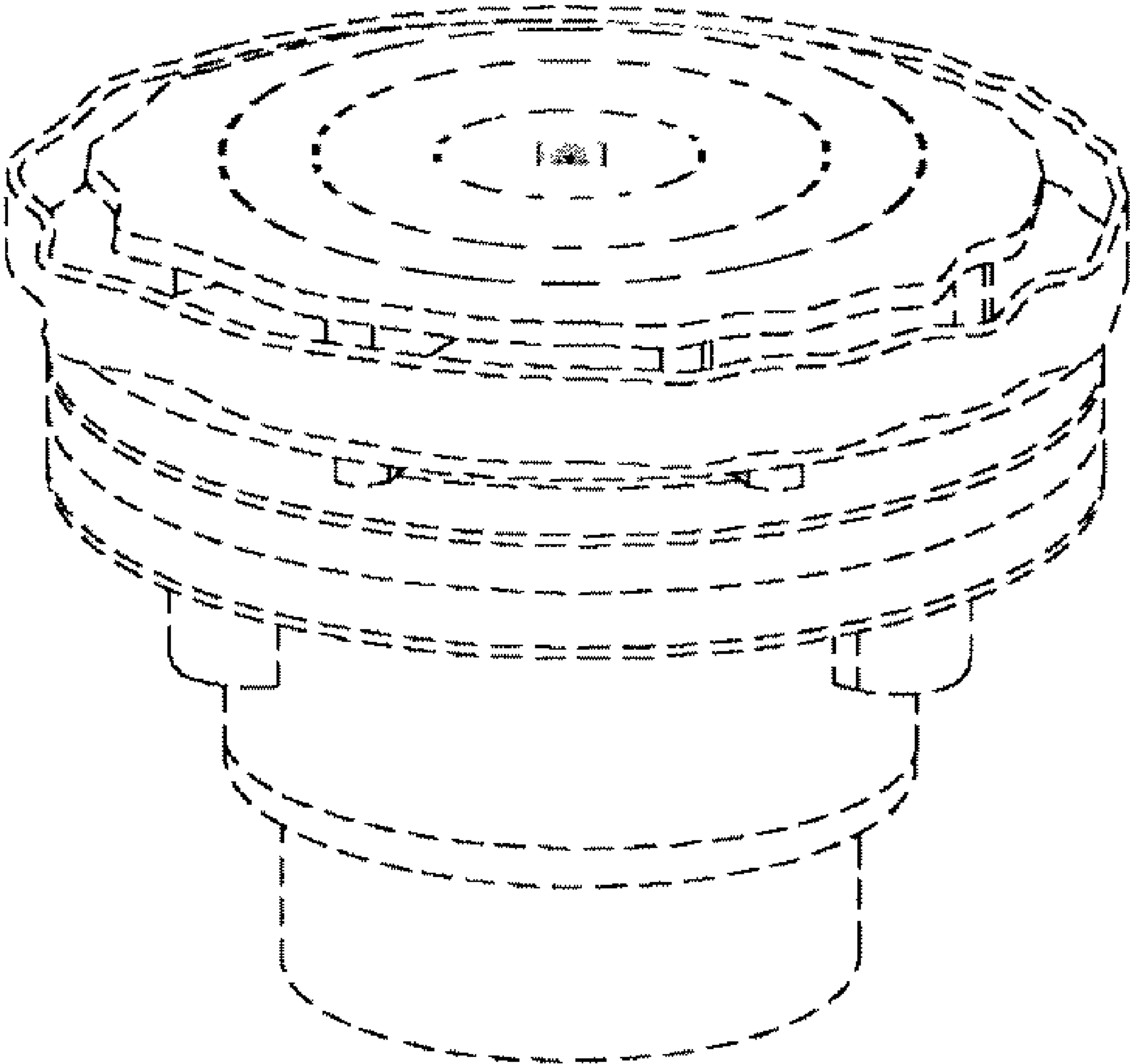


FIG. 1

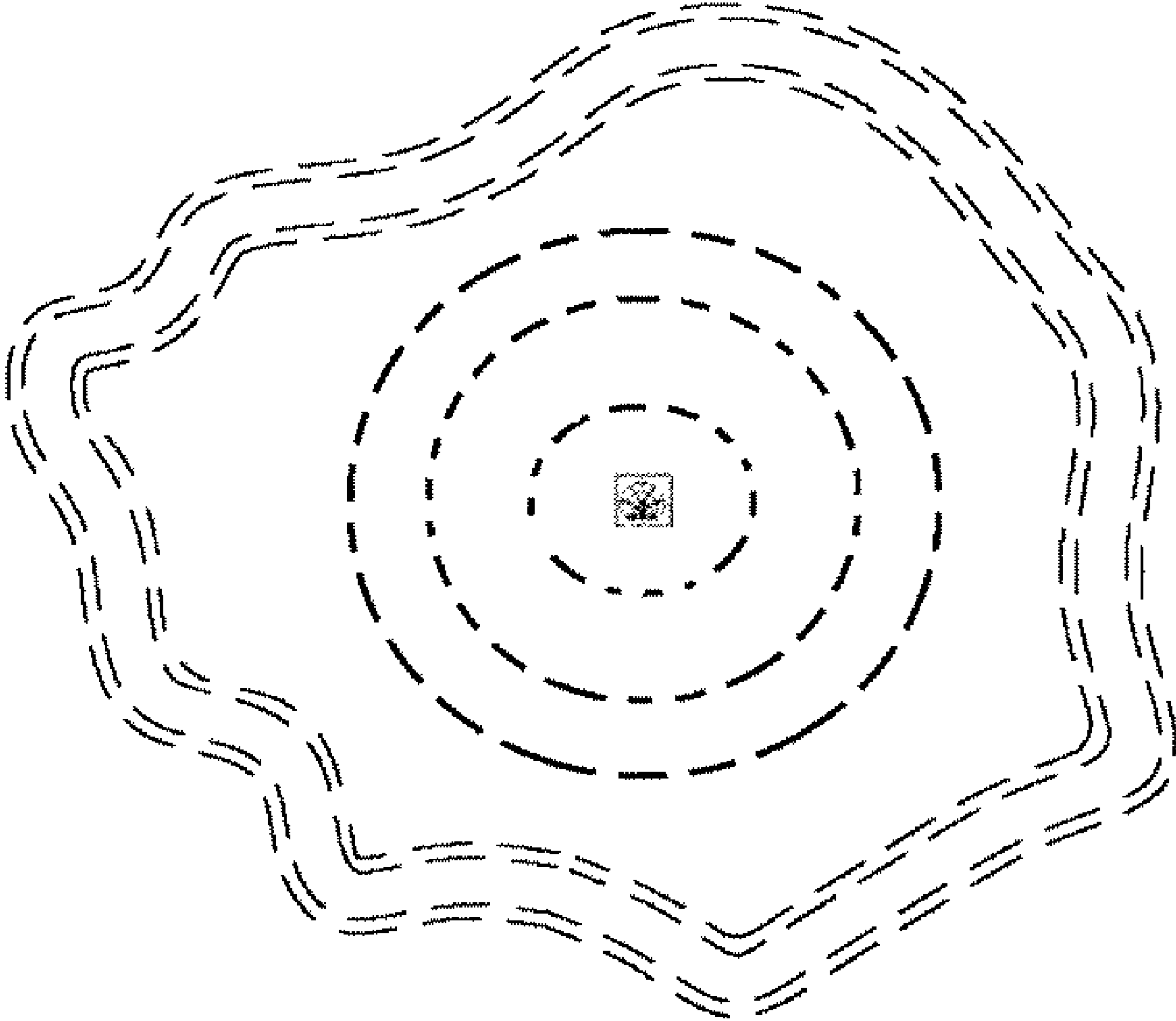


FIG. 2

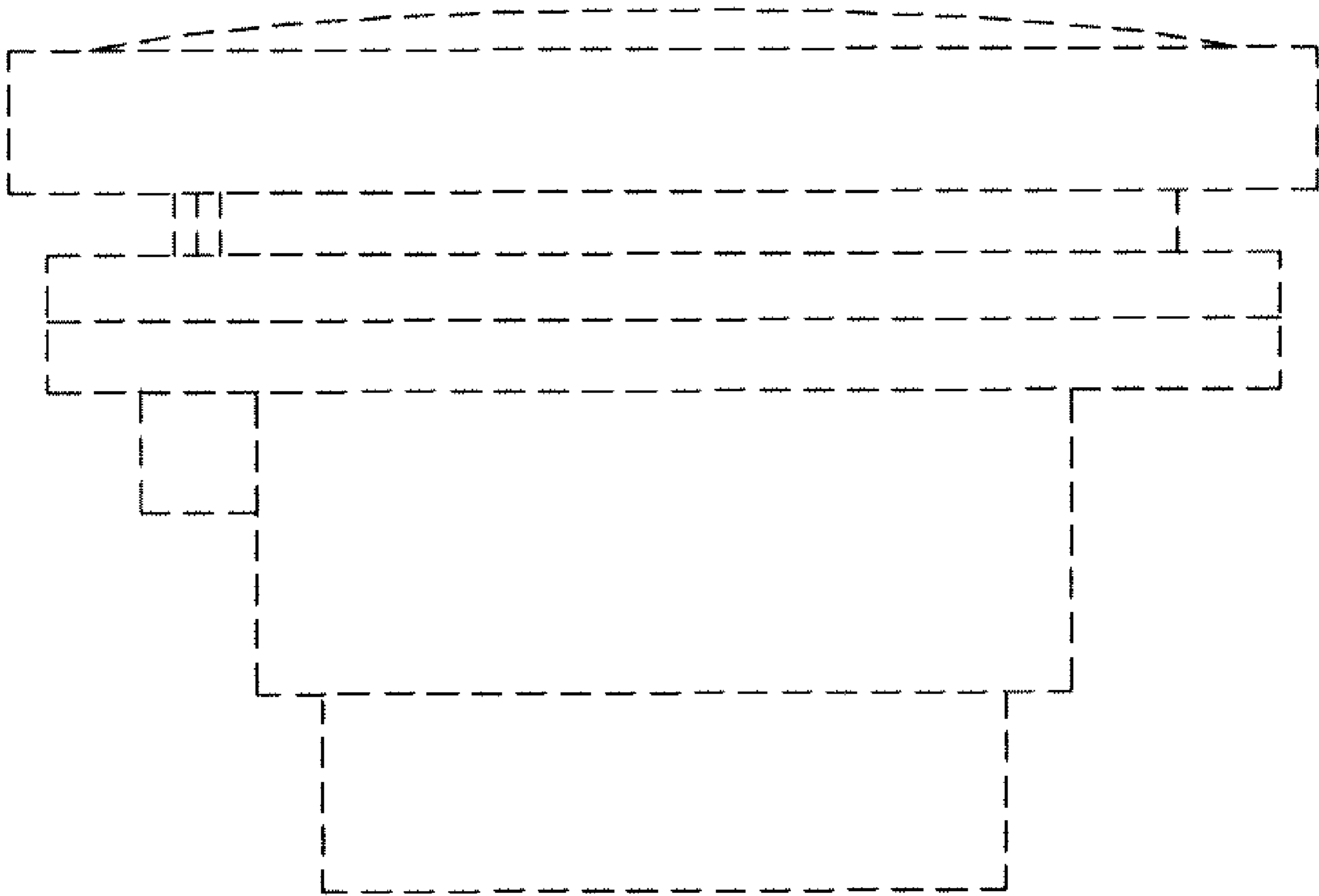


FIG. 3

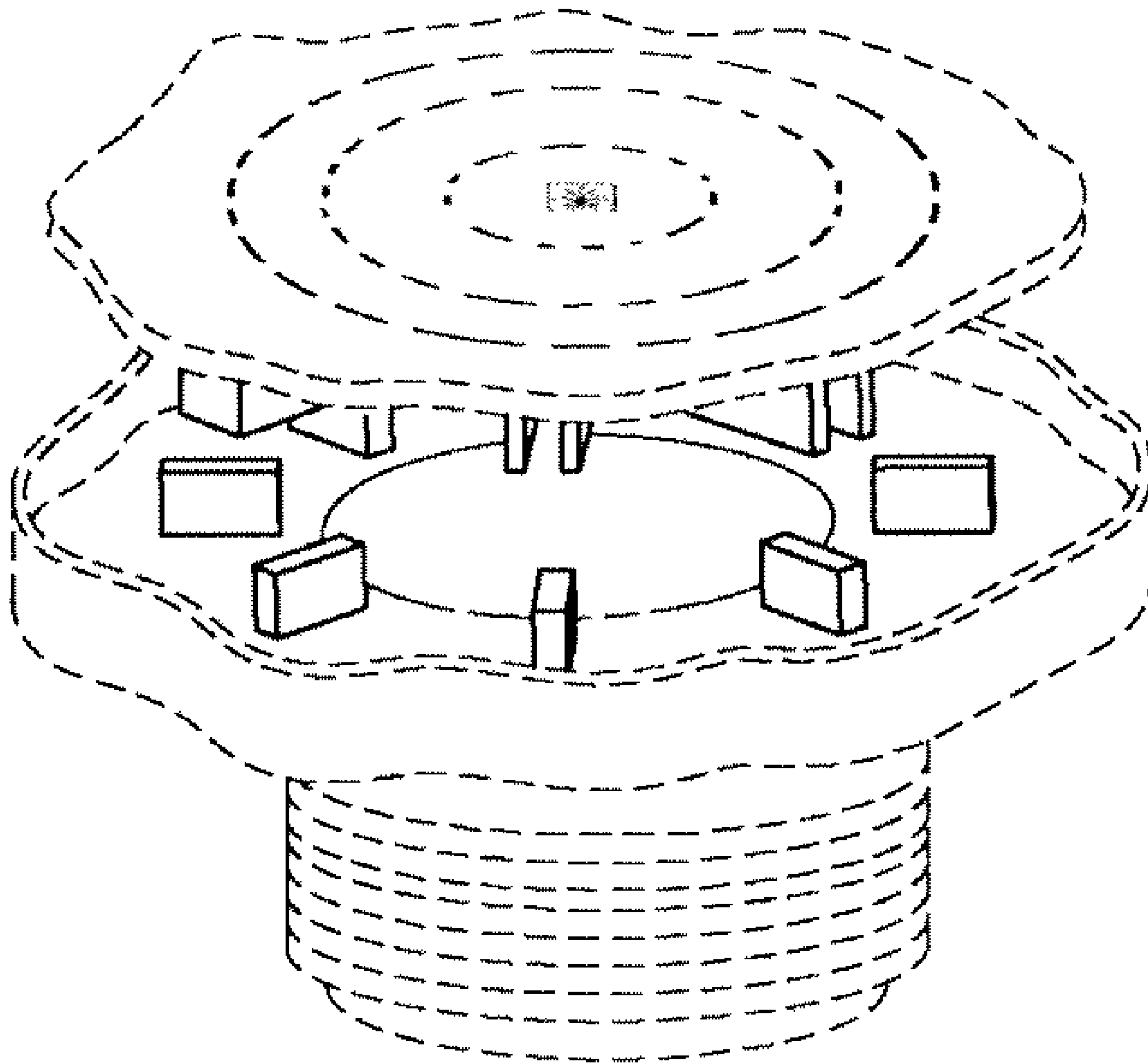


FIG. 4



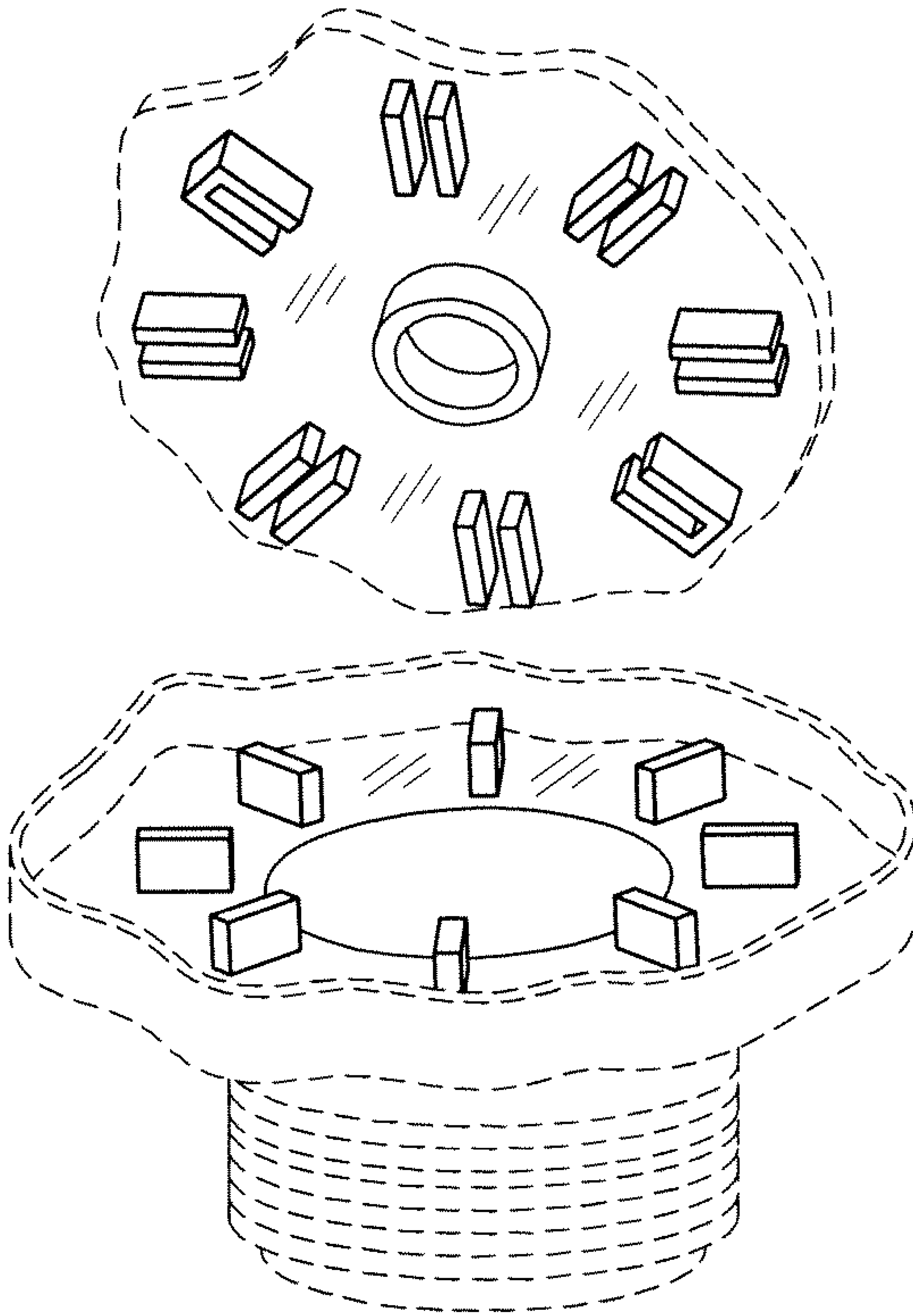


FIG. 5

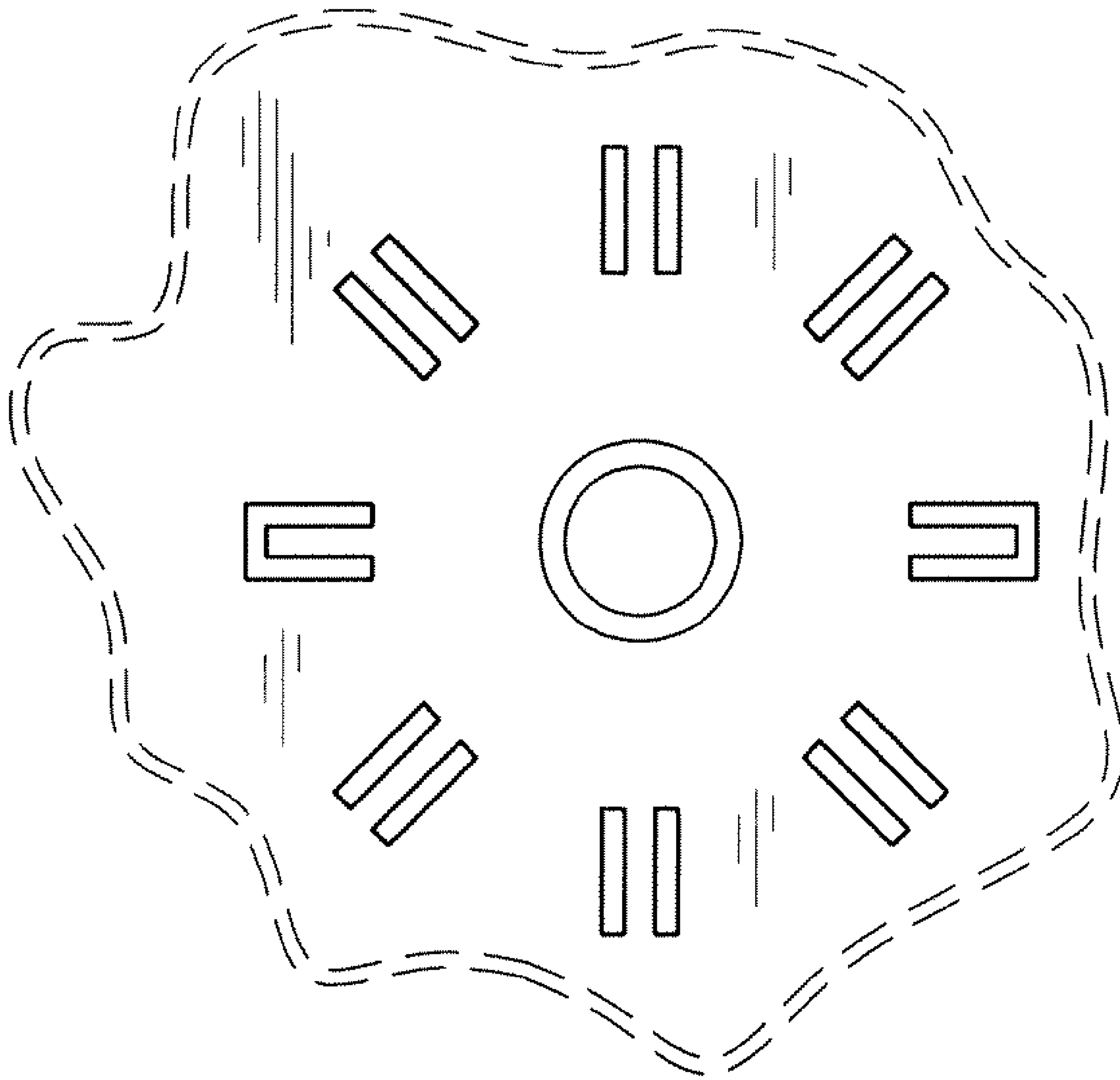


FIG. 6



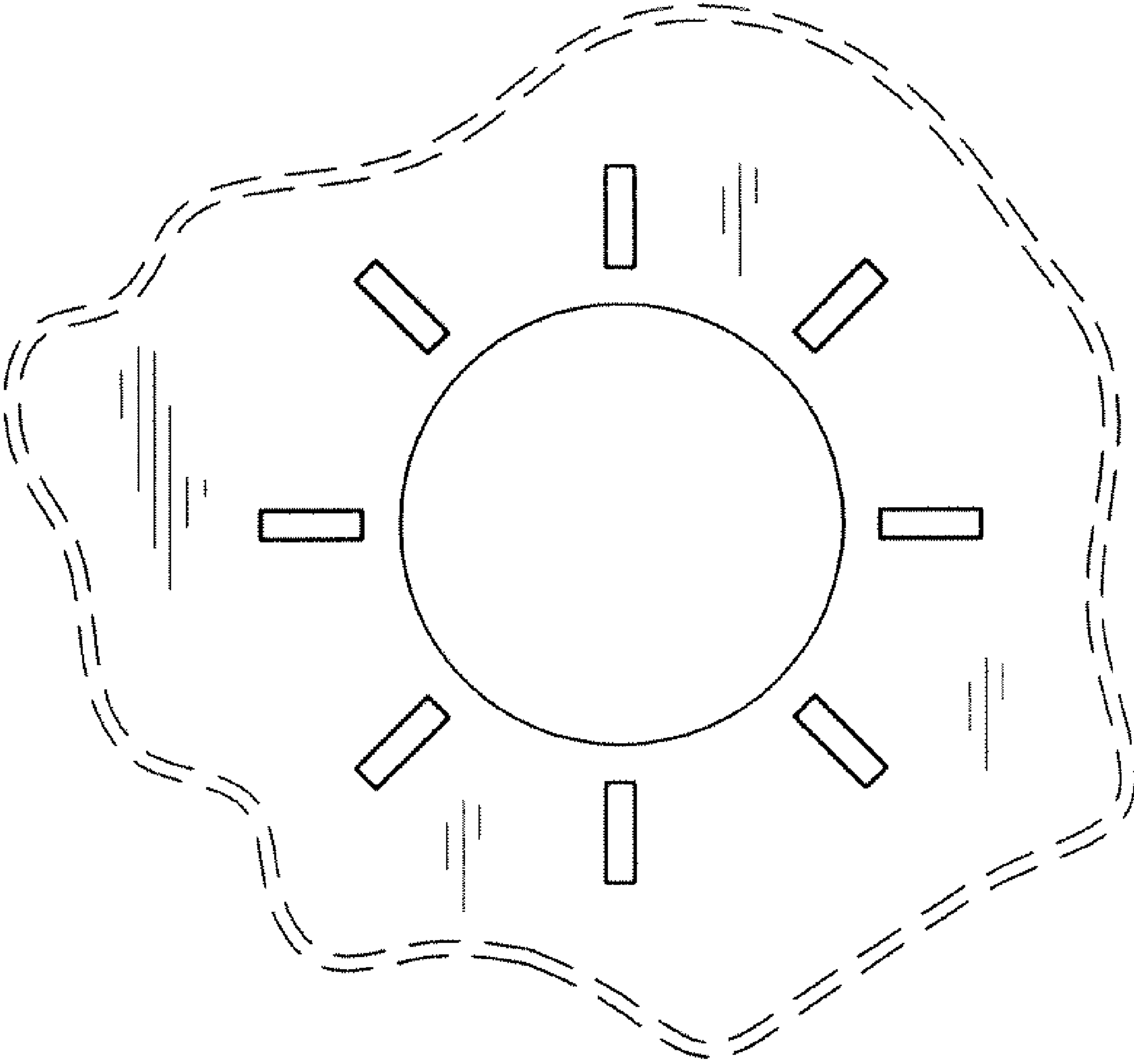


FIG. 7

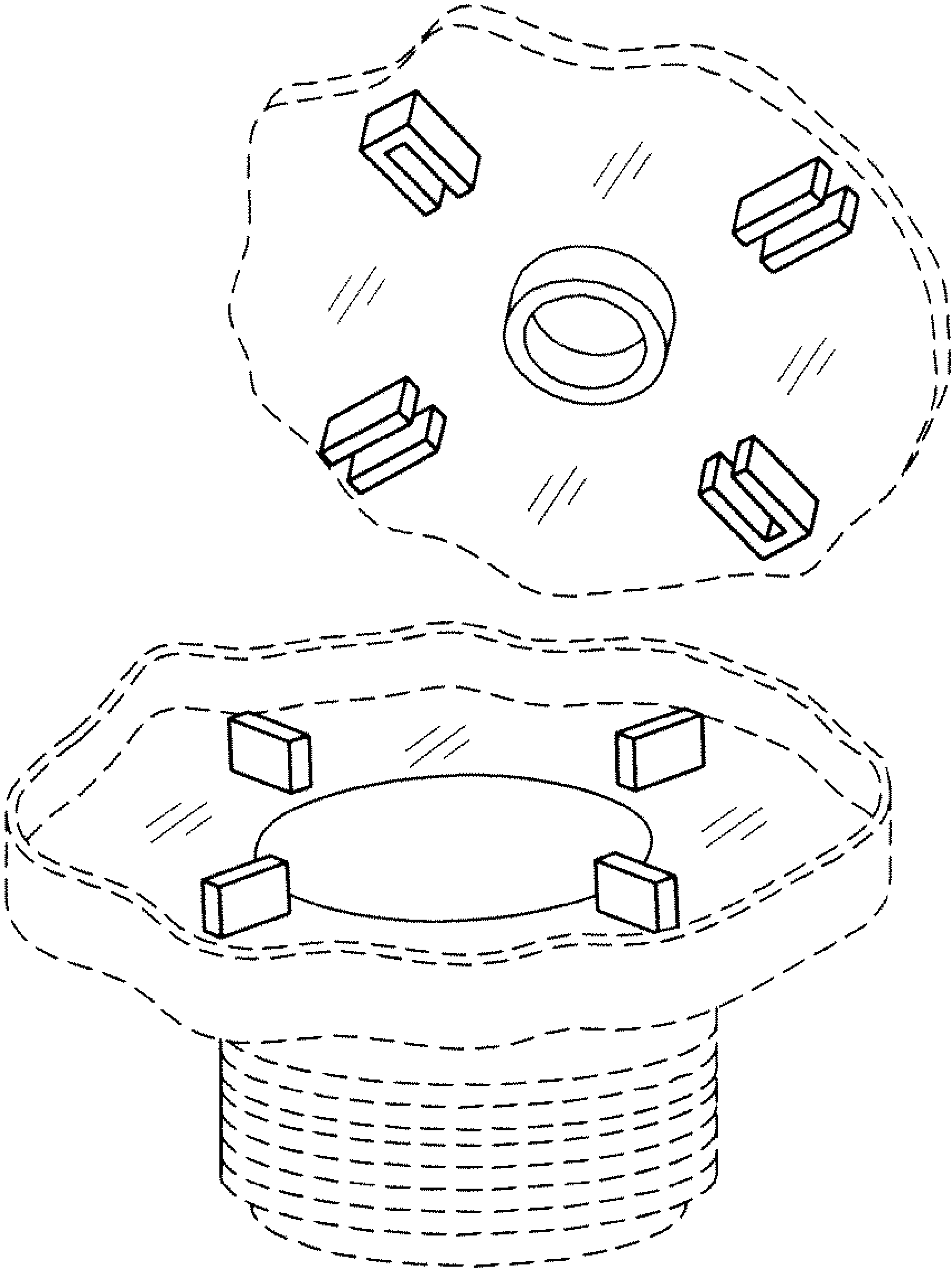


FIG. 8

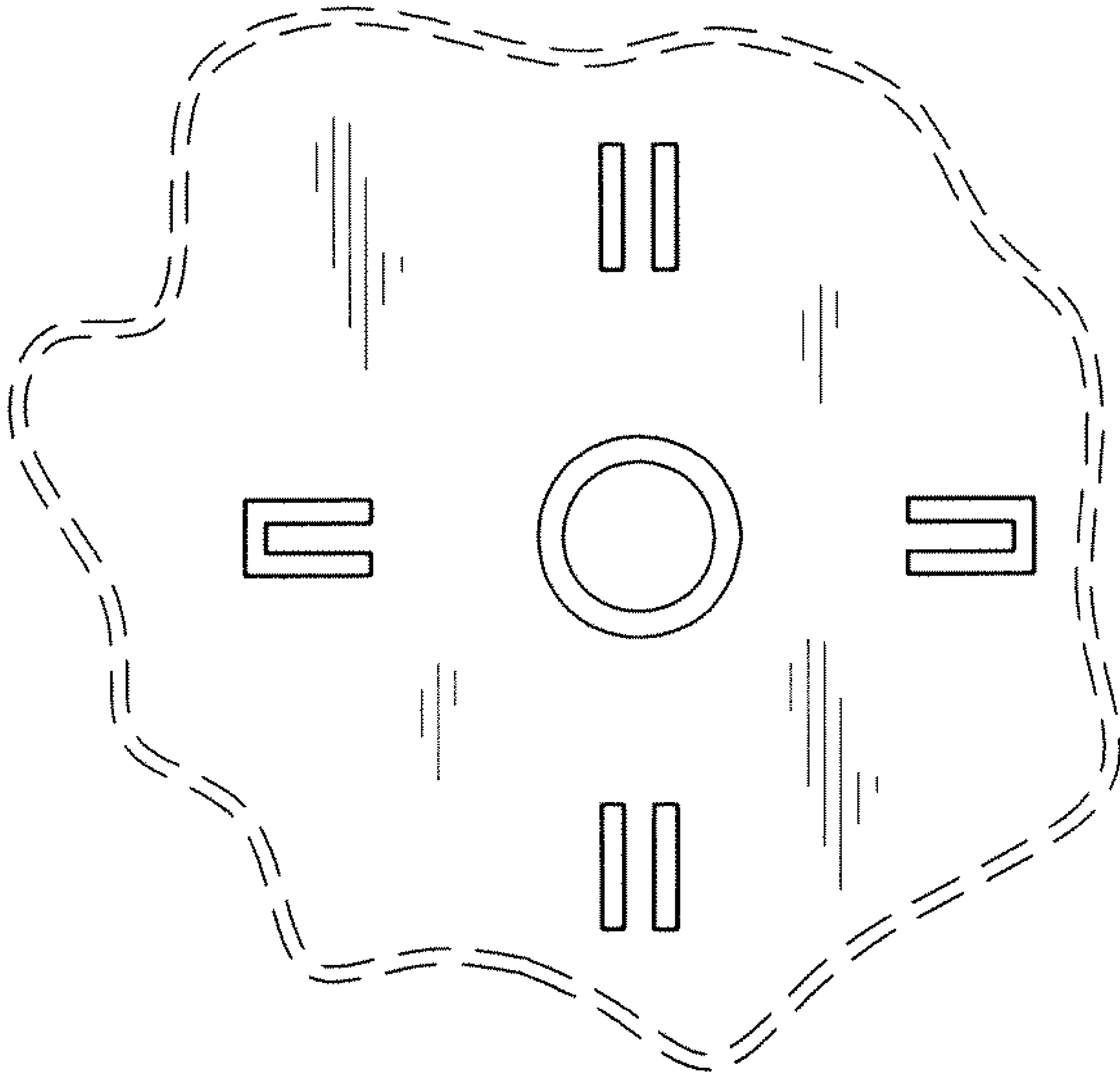


FIG. 9

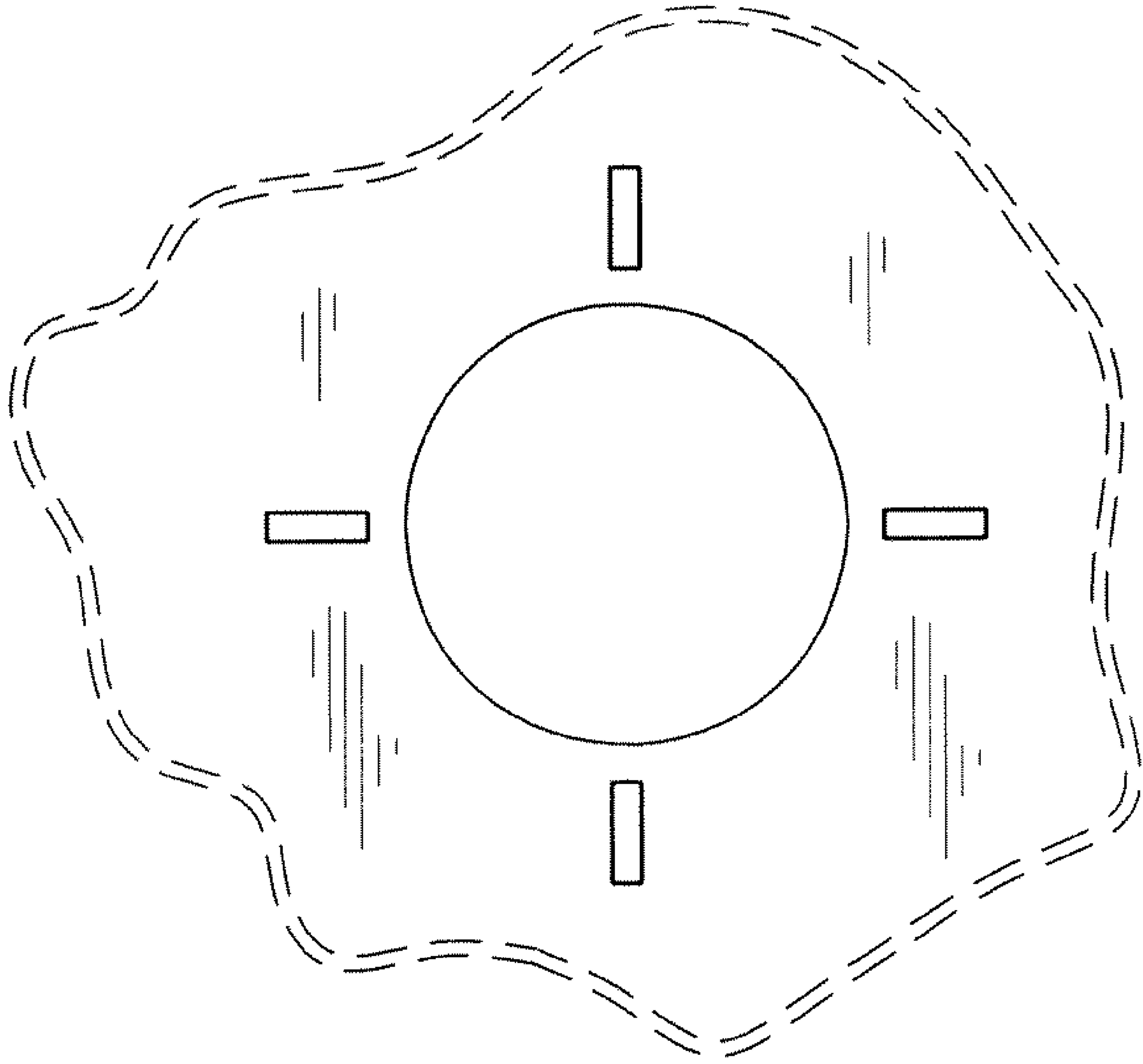


FIG. 10

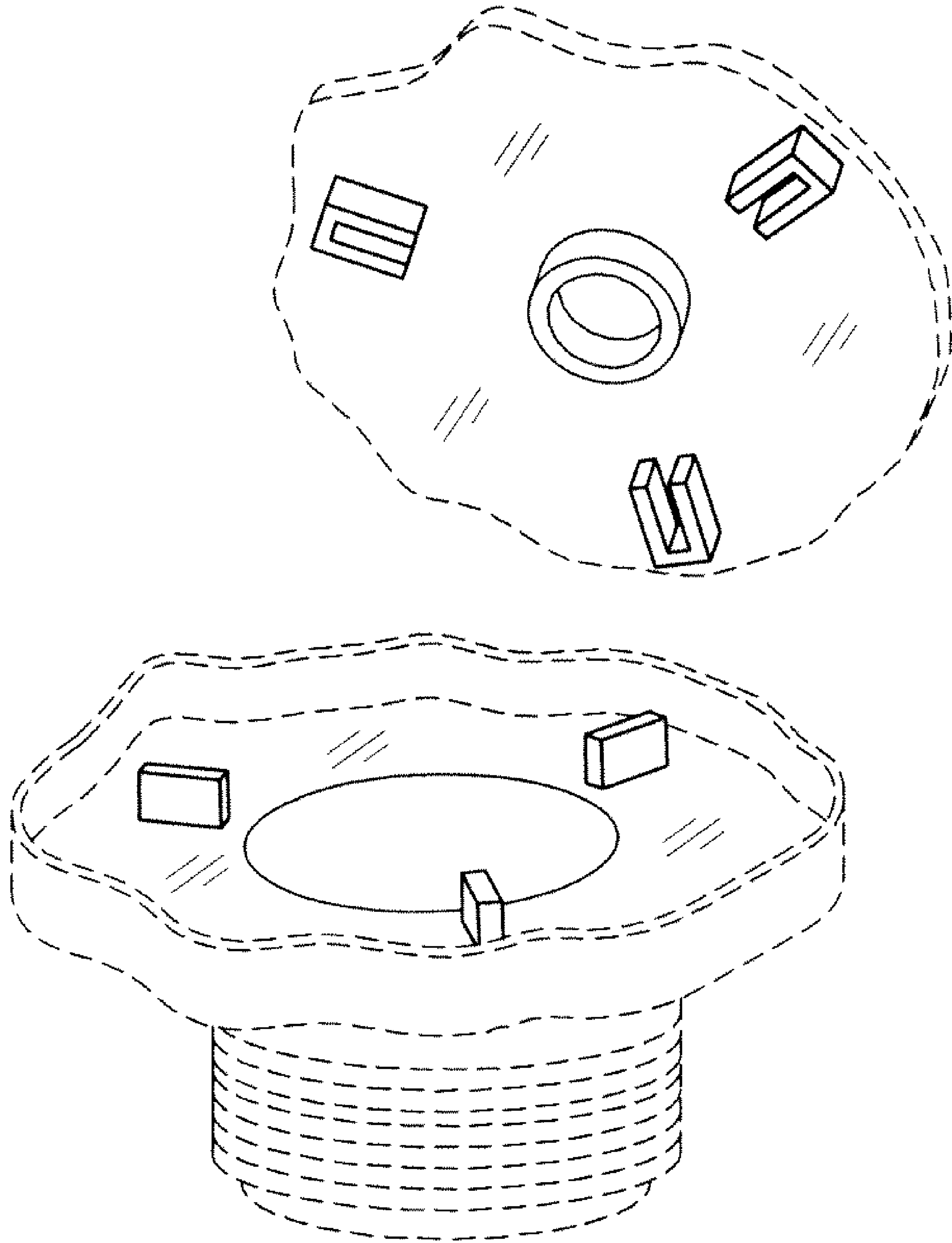


FIG. 11

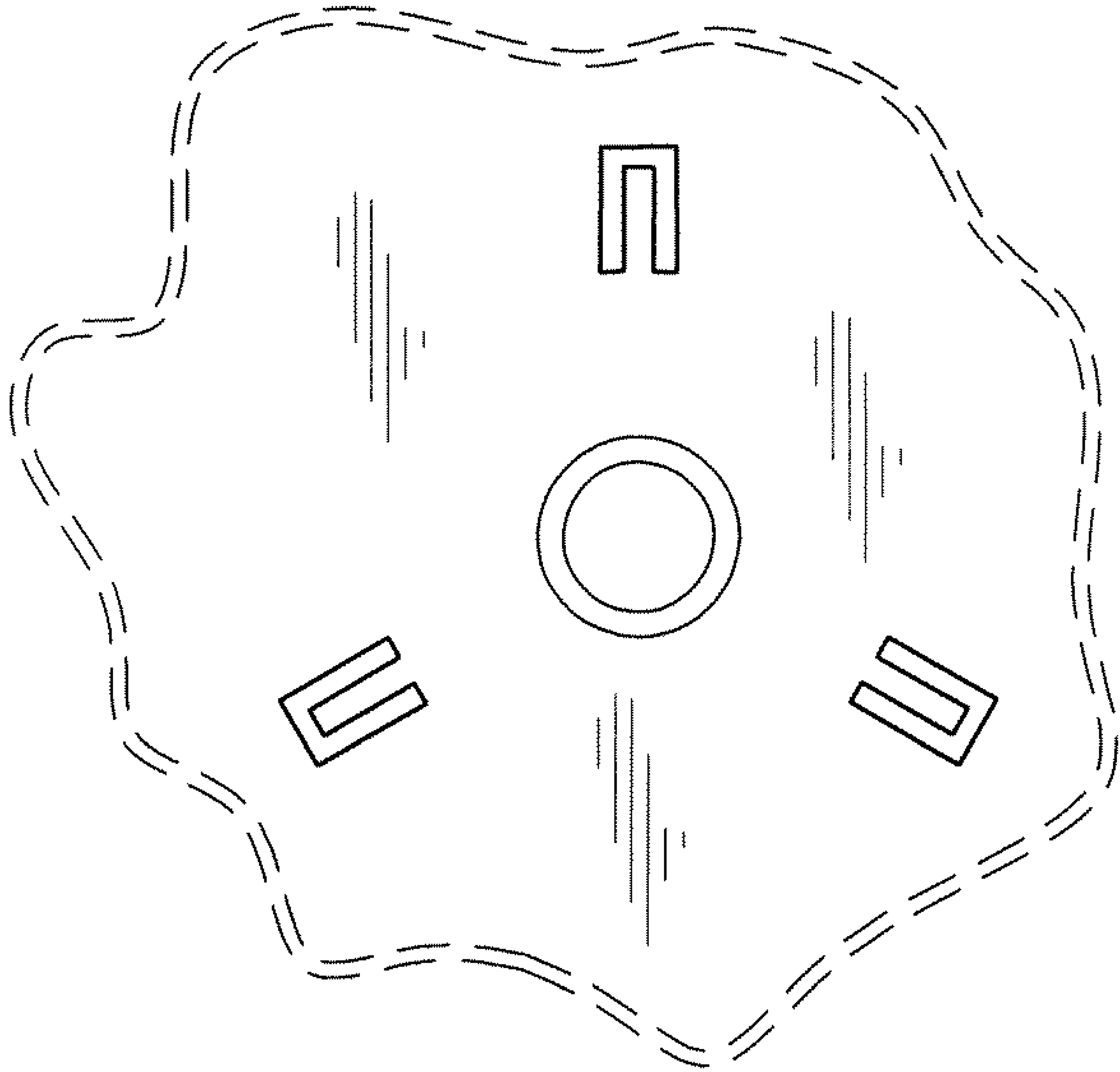


FIG. 12



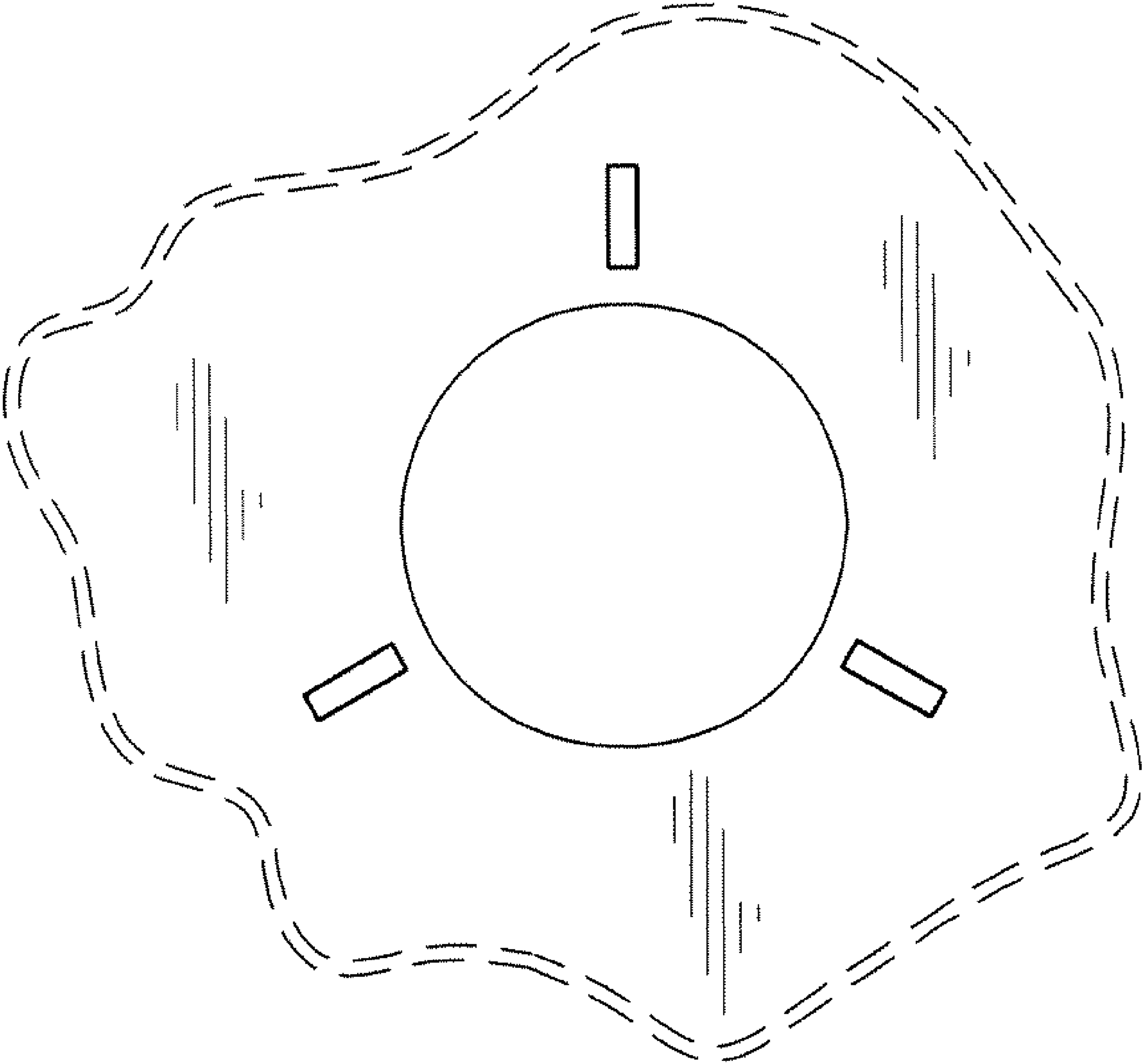


FIG. 13

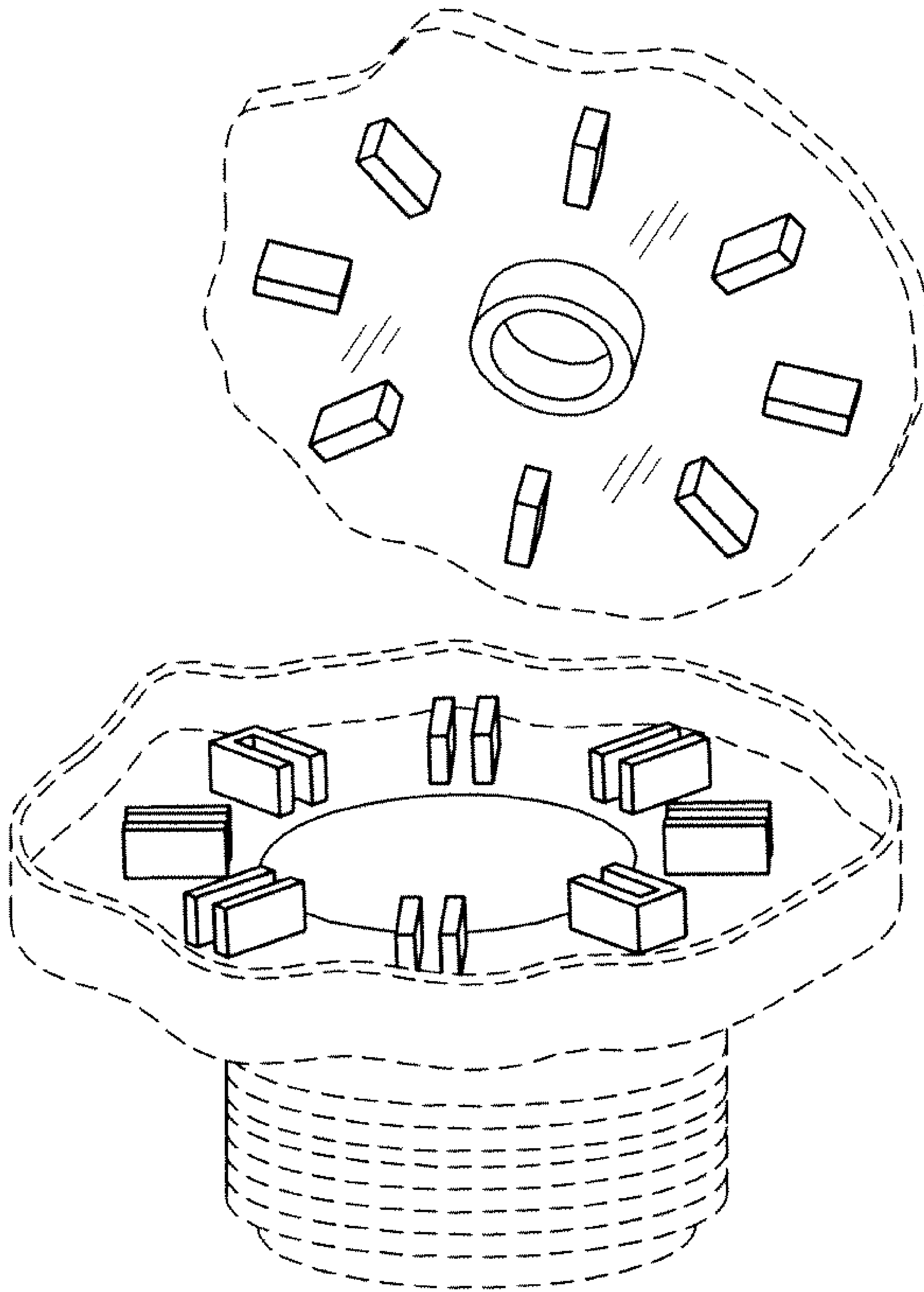


FIG. 14

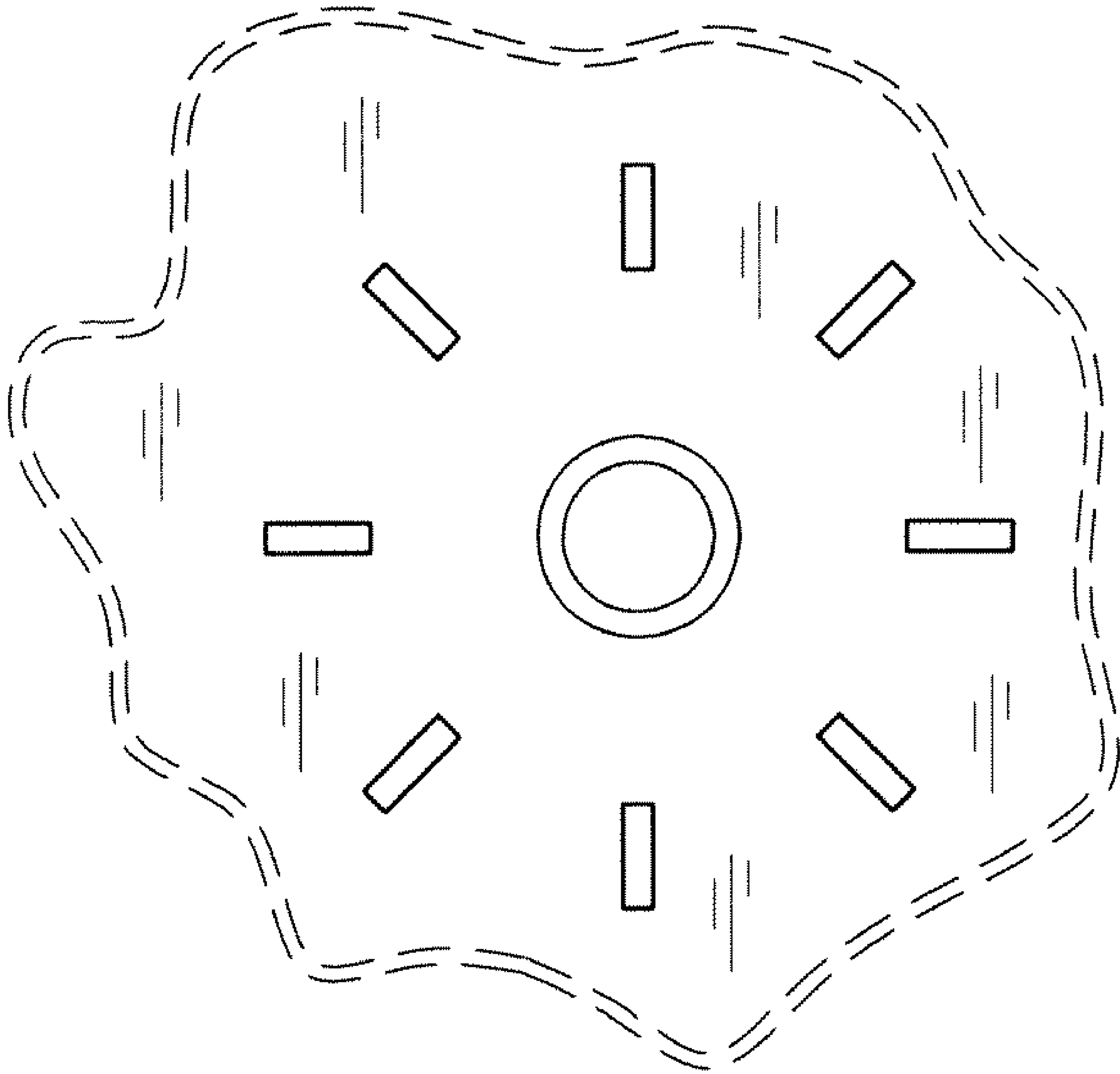


FIG. 15

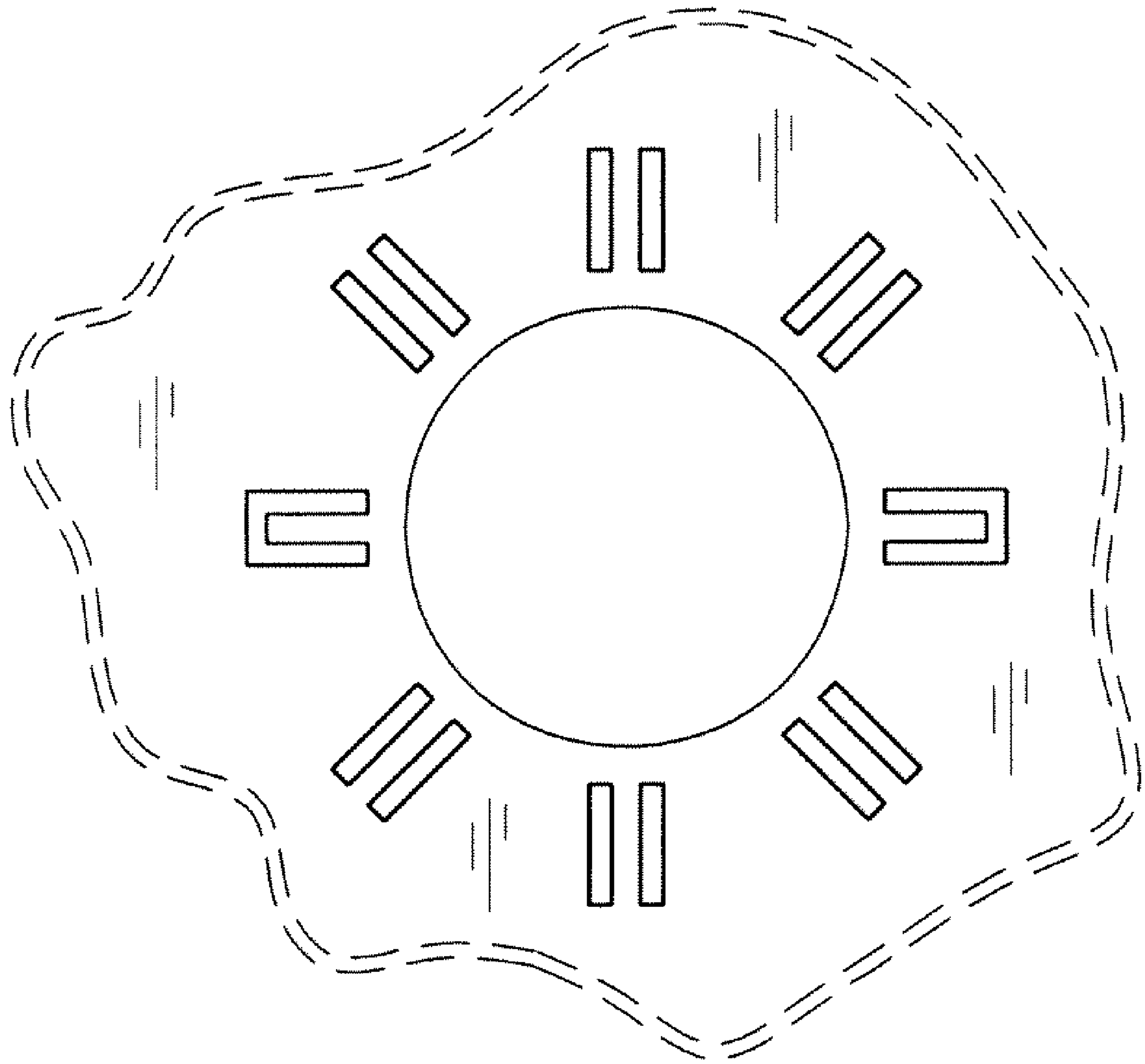


FIG. 16

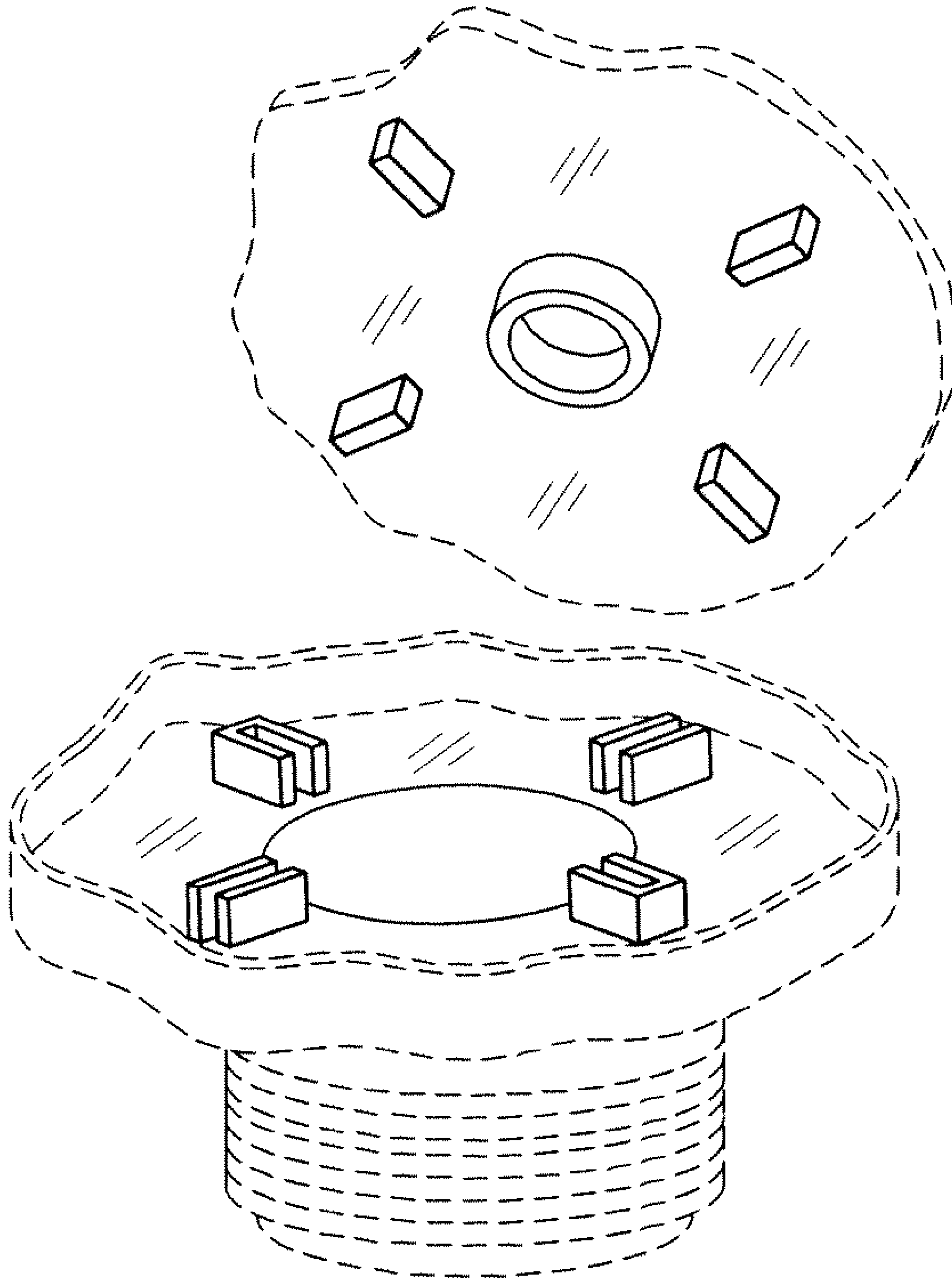


FIG. 17

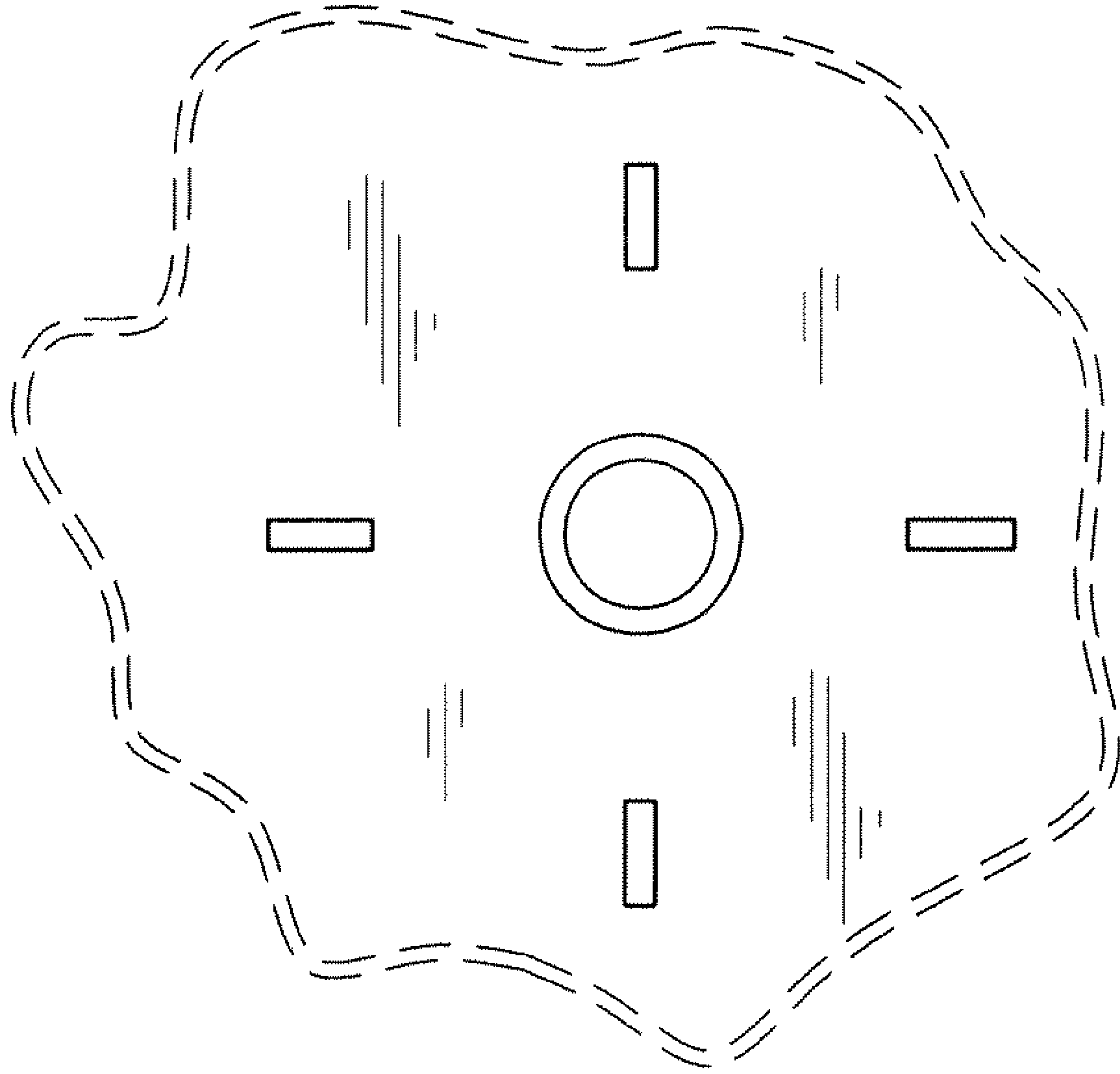


FIG. 18



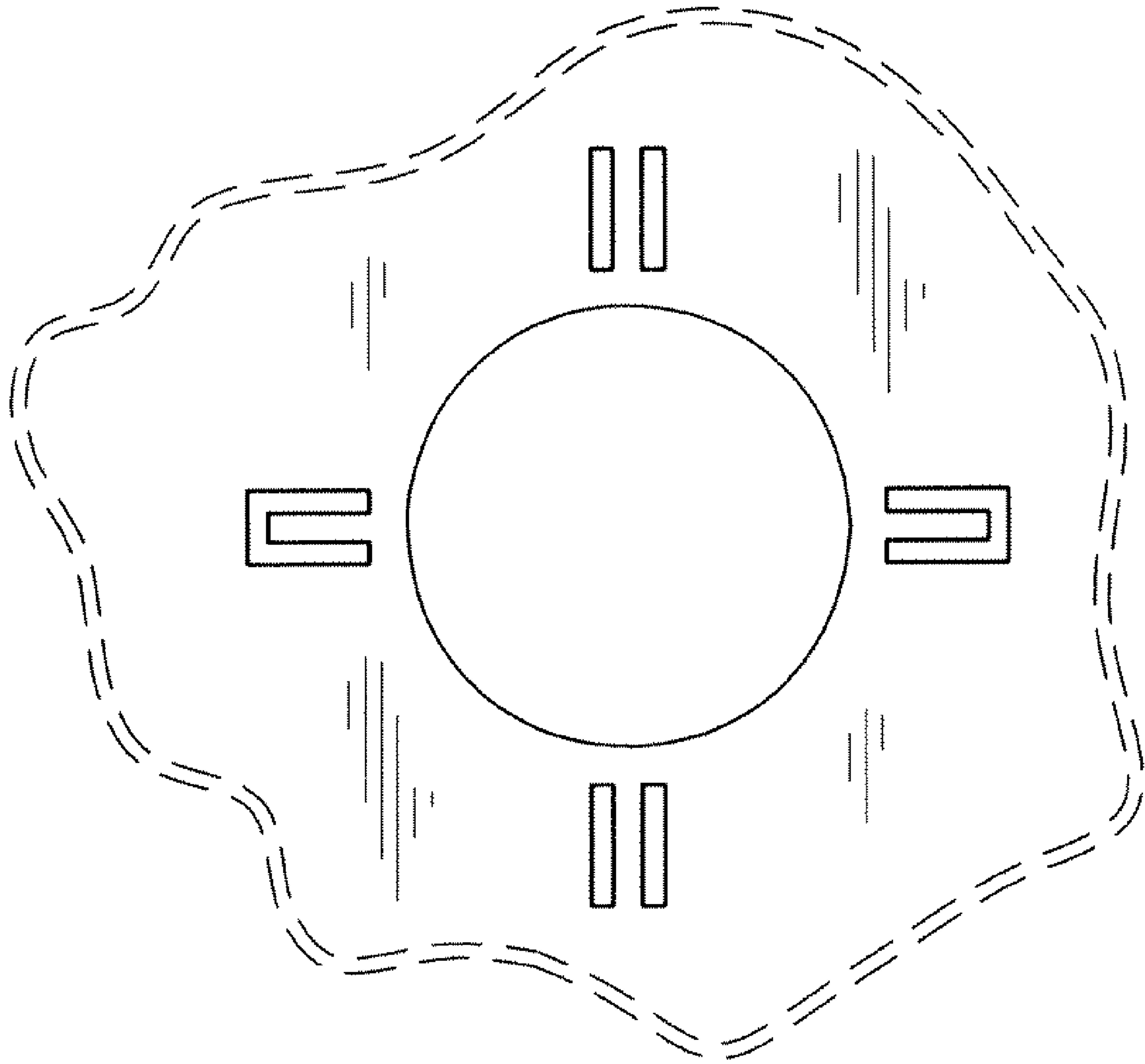


FIG. 19

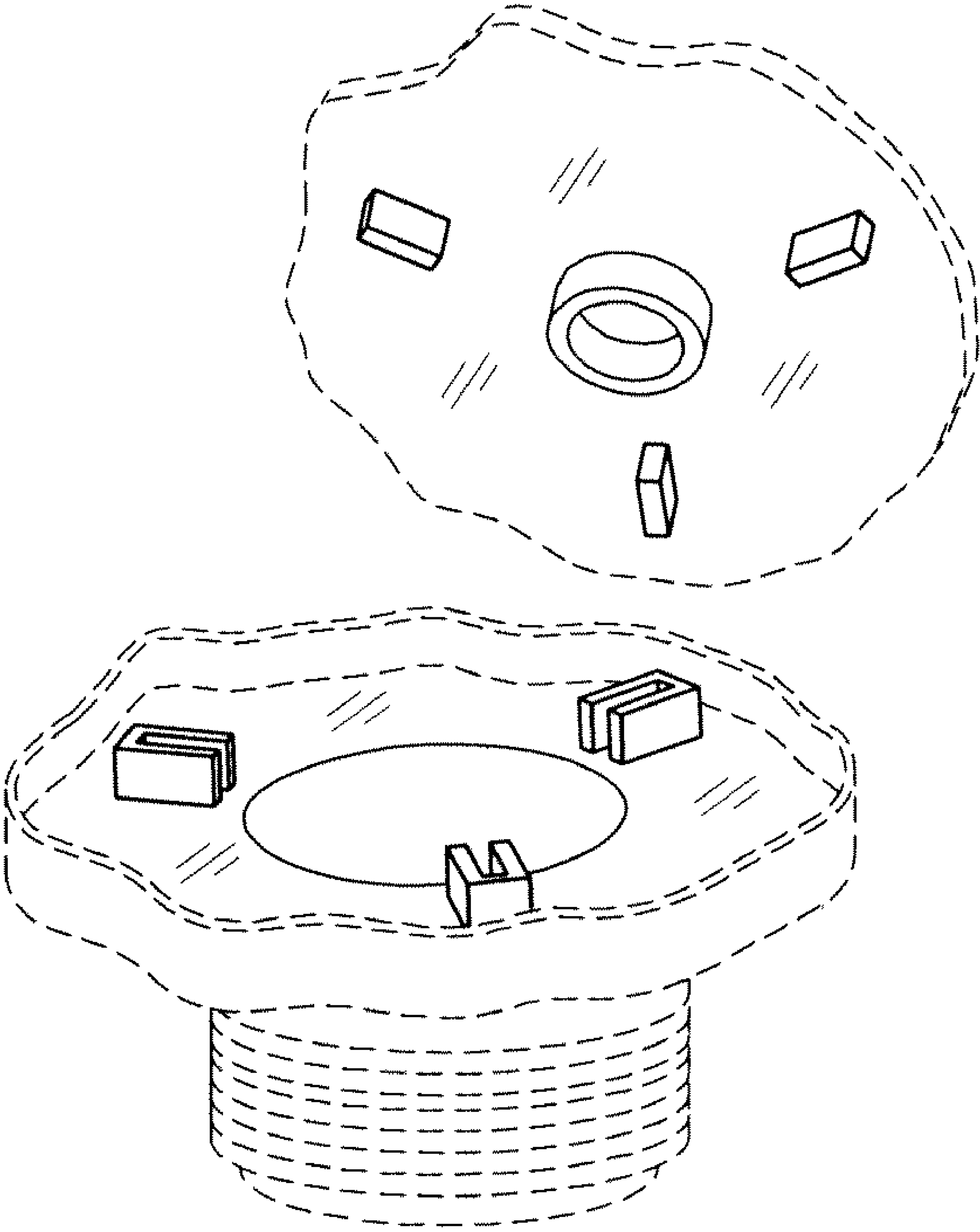


FIG. 20

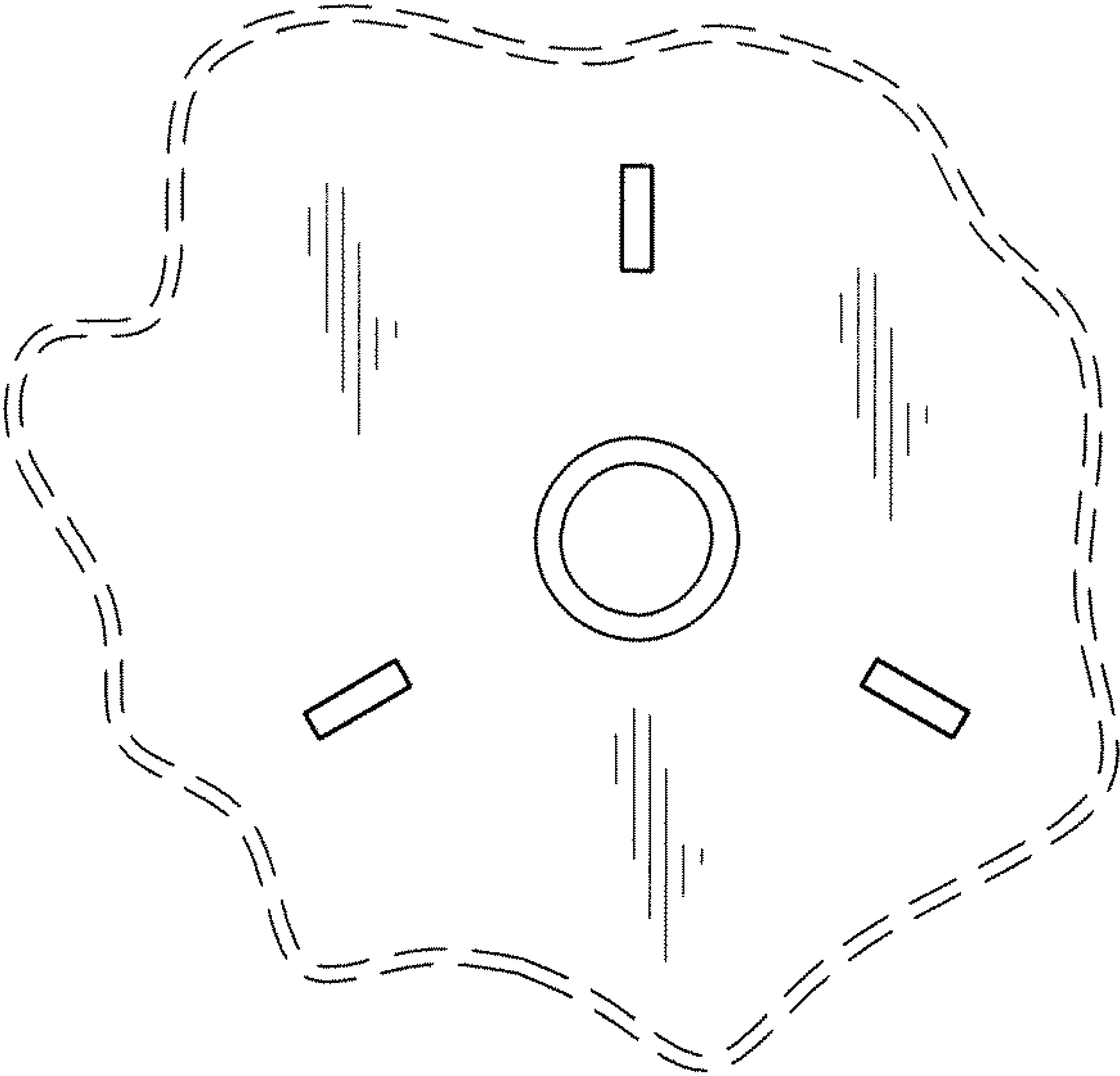


FIG. 21

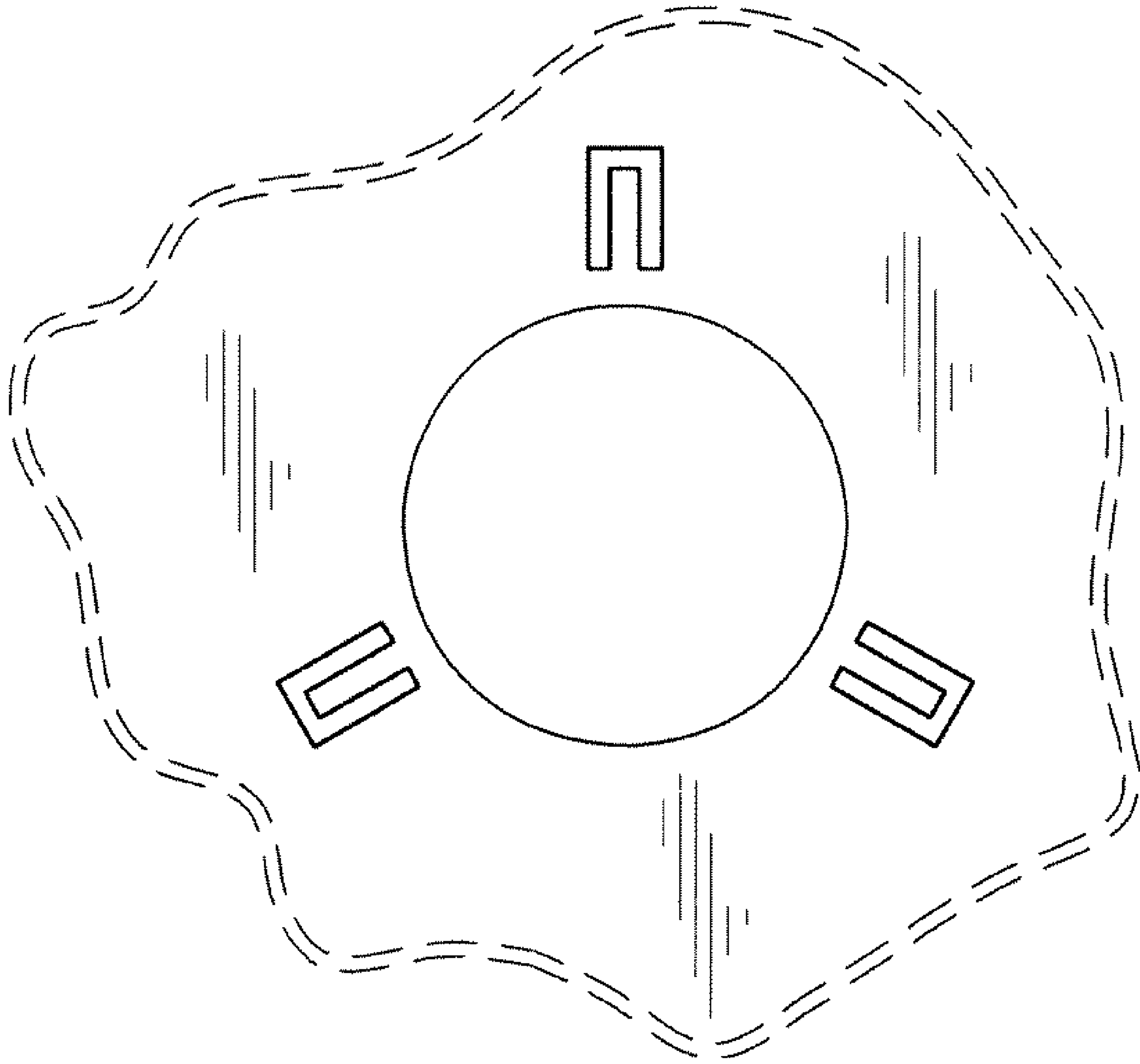


FIG. 22