



US00D614267S

(12) **United States Design Patent**
Breda

(10) **Patent No.:** **US D614,267 S**
(45) **Date of Patent:** **** Apr. 20, 2010**

(54) **CIRCULAR SHOWER STRAINER**

(76) Inventor: **Silvano Breda**, 125 Limestone Crescent,
Downsview, Ontario (CA) M3J 2R1

(**) Term: **14 Years**

(21) Appl. No.: **29/290,344**

(22) Filed: **Nov. 23, 2007**

(30) **Foreign Application Priority Data**

Sep. 10, 2007 (CA) 122619

(51) **LOC (9) Cl.** **23-01**

(52) **U.S. Cl.** **D23/261**

(58) **Field of Classification Search** D23/259–269;
4/286–295, 679–694, 596–614

See application file for complete search history.

(56) **References Cited**

U.S. PATENT DOCUMENTS

D318,101 S *	7/1991	Rodgers	D23/259
D428,120 S *	7/2000	Zaldivar	D23/261
6,163,896 A *	12/2000	Lee	4/289
6,175,971 B1 *	1/2001	O'Neill	4/613
6,319,397 B1 *	11/2001	Su et al.	210/163
2003/0159211 A1 *	8/2003	Hodges	4/679

* cited by examiner

Primary Examiner—T. Chase Nelson

Assistant Examiner—Eric L Gooman

(74) *Attorney, Agent, or Firm*—Neil H. Hughes; Ivor M. Hughes; Marcelo K. Sarkis

(57) **CLAIM**

The ornamental design for a circular shower strainer consisting of a shower strainer adaptor and a shower strainer cap, as shown and described.

DESCRIPTION

FIG. 1 is a perspective front view of the assembled shower strainer shown in the context of its environment and representing all three embodiments;

FIG. 2 is a side view of the assembled shower strainer in the context of its environment and representing all three embodiments;

FIG. 3 is a top view of the assembled shower strainer and representing all three embodiments;

FIG. 4 is an exploded perspective view of the shower strainer of the first embodiment of the design;

FIG. 5 is an exploded perspective view of the shower strainer of the first embodiment of the design;

FIG. 6 is an exploded perspective view of the shower strainer of the second embodiment of the design;

FIG. 7 is an exploded perspective view of the shower strainer of the second embodiment of the design;

FIG. 8 is an exploded perspective view of the shower strainer of the third embodiment of the design;

FIG. 9 is an exploded perspective view of the shower strainer of the third embodiment of the design;

FIG. 10 is a bottom elevation view of the strainer cap of the first embodiment of the design;

FIG. 11 is a bottom elevation view of the strainer cap of the second embodiment of the design;

FIG. 12 is a bottom elevation view of the strainer cap of the third embodiment of the design;

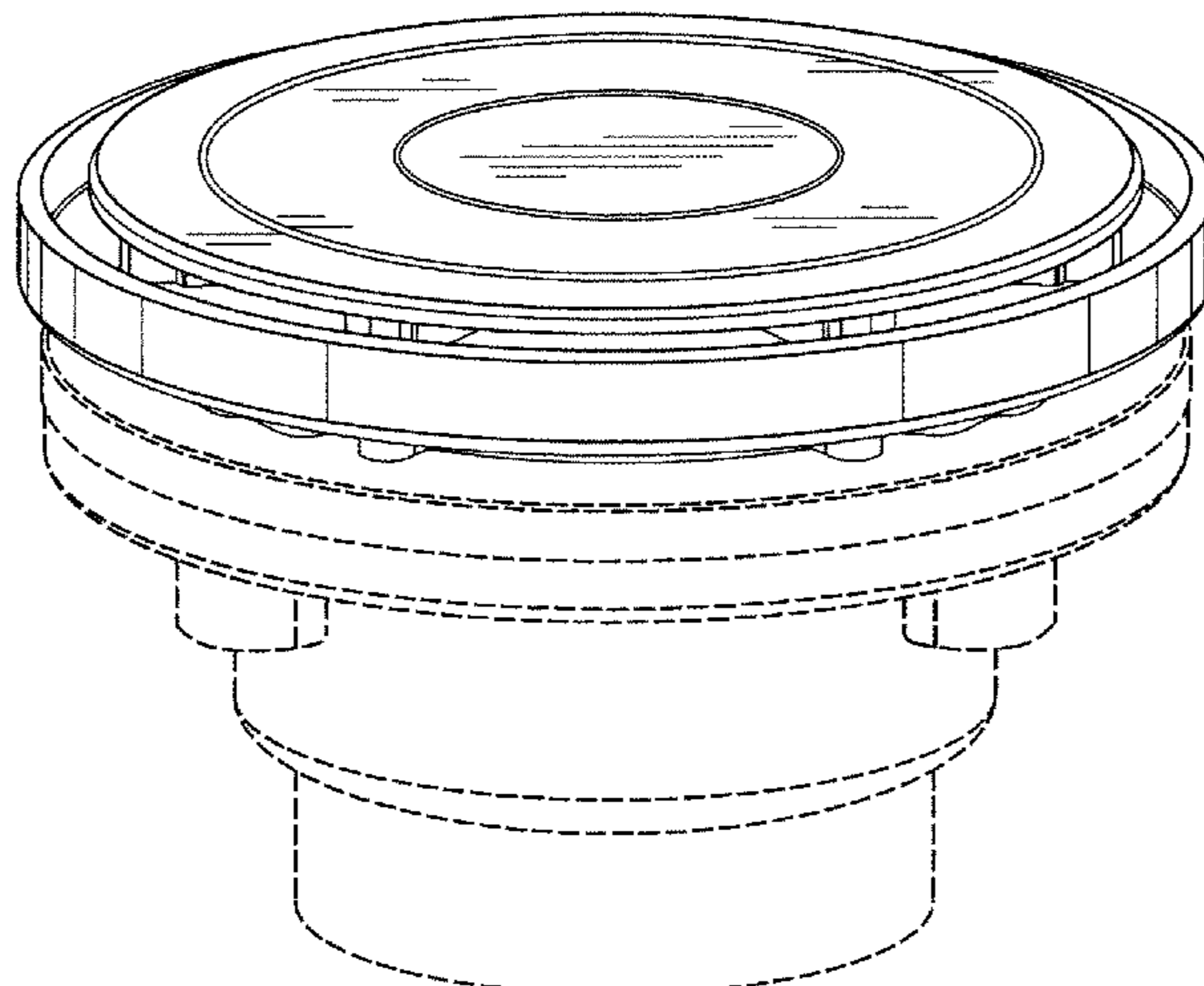
FIG. 13 is a top elevation view of the strainer adaptor of the first embodiment of the design;

FIG. 14 is a top elevation view of the strainer adaptor of the second embodiment of the design; and,

FIG. 15 is a top elevation view of the strainer adaptor of the third embodiment of the design.

Any broken lines shown in FIGS. 1–15 are included for the purpose of illustrating the environment of the articles in use and those portions of the article form no part of the claimed design.

1 Claim, 15 Drawing Sheets



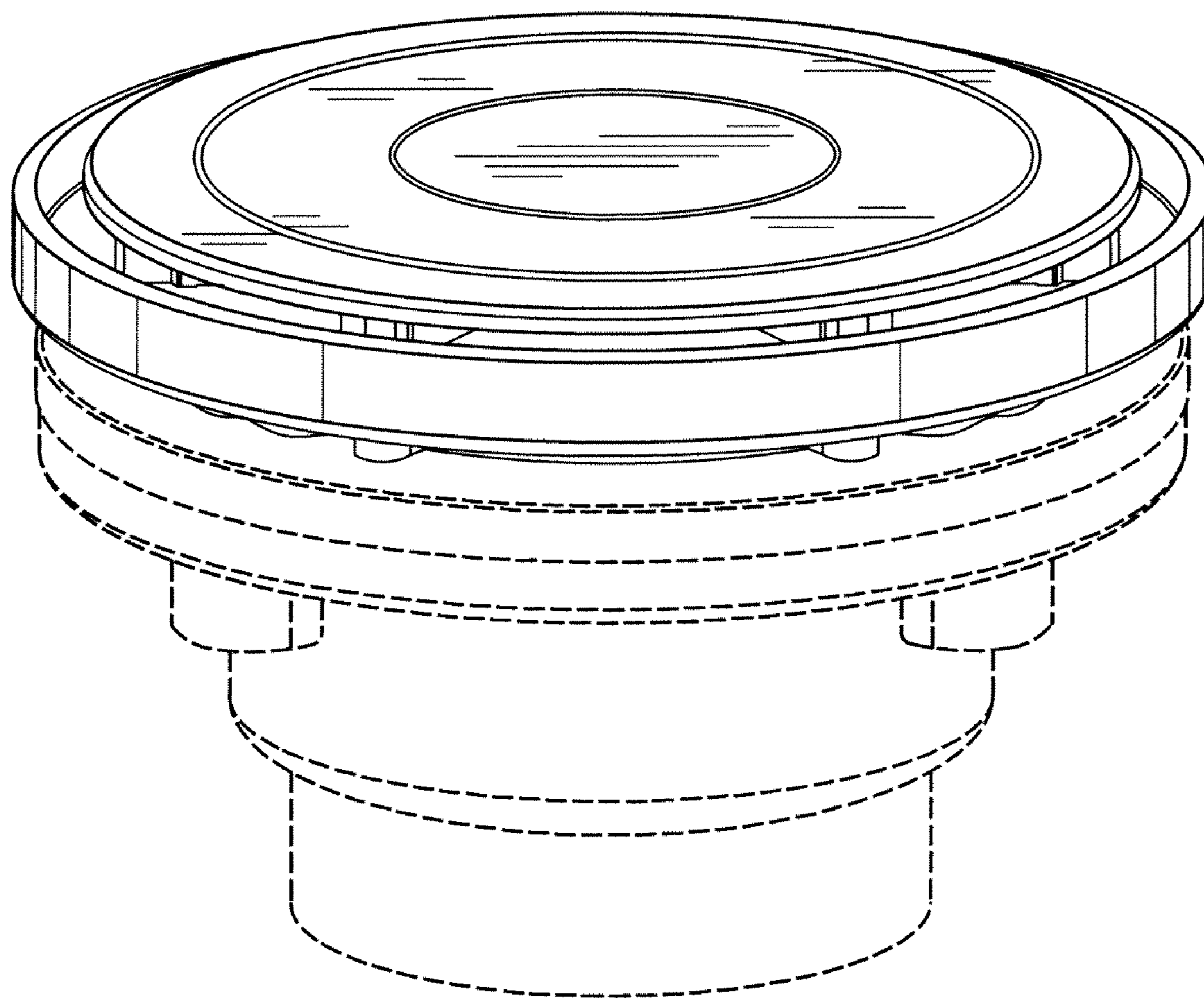


FIG. 1

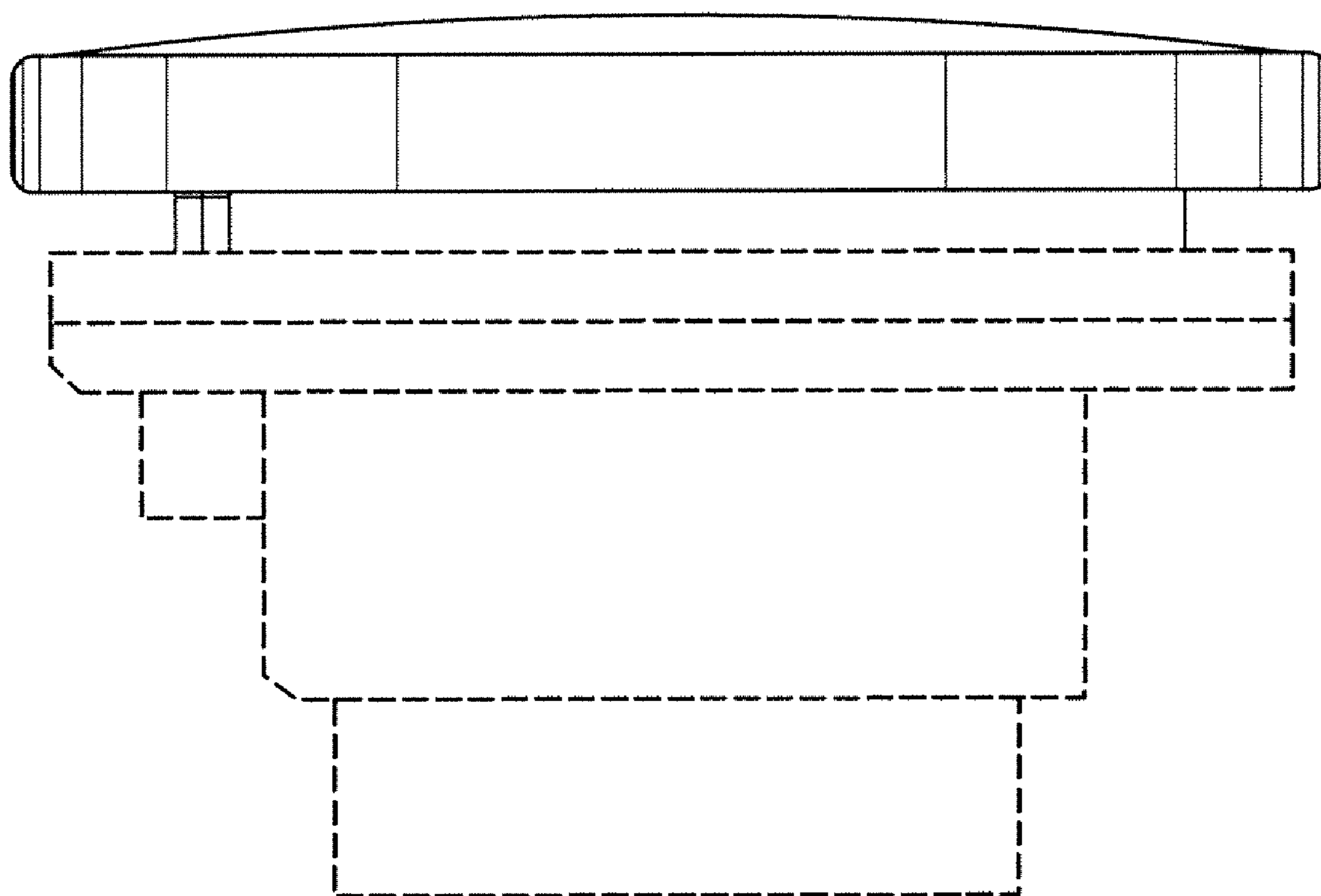


FIG. 2

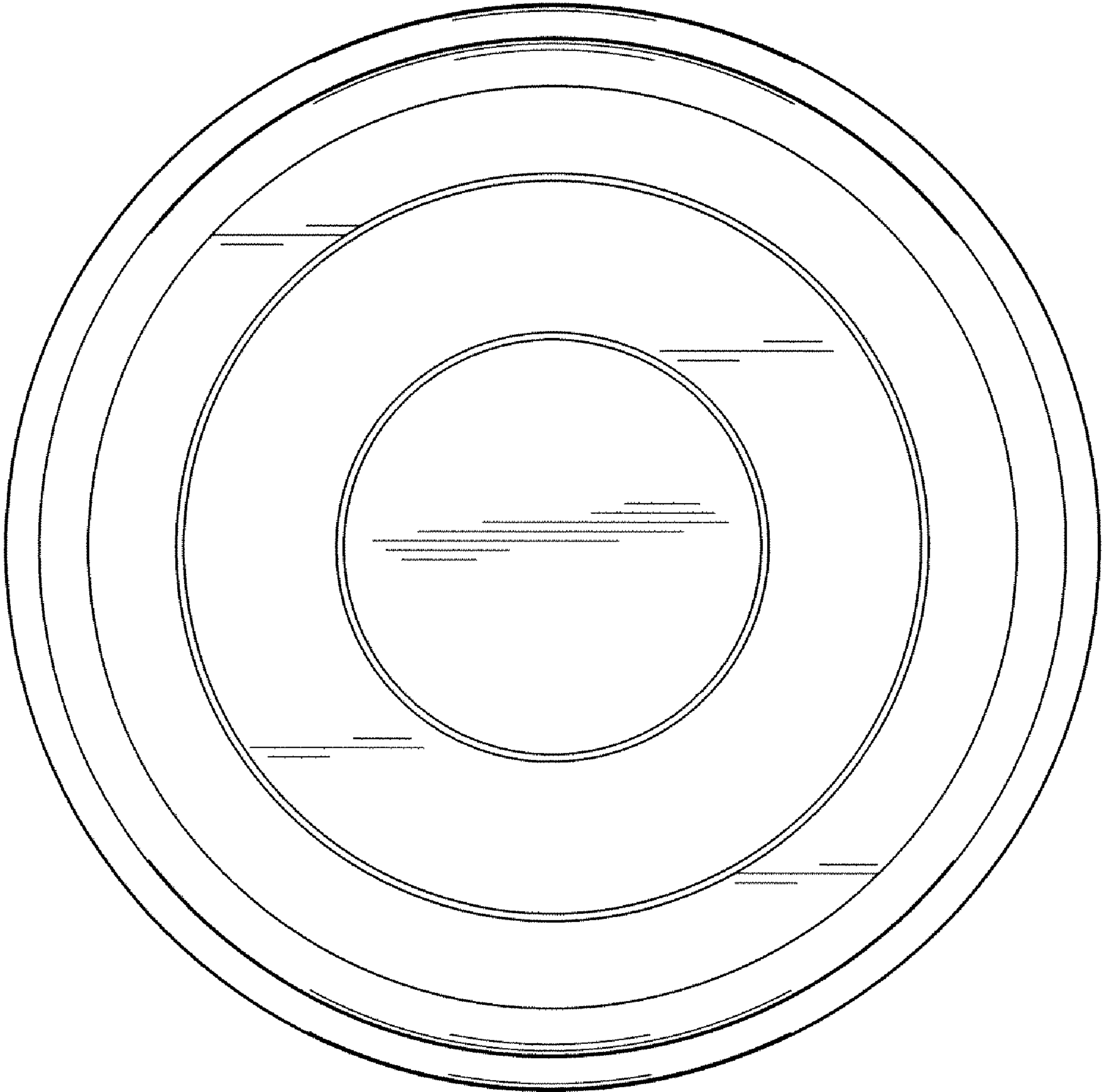


FIG. 3

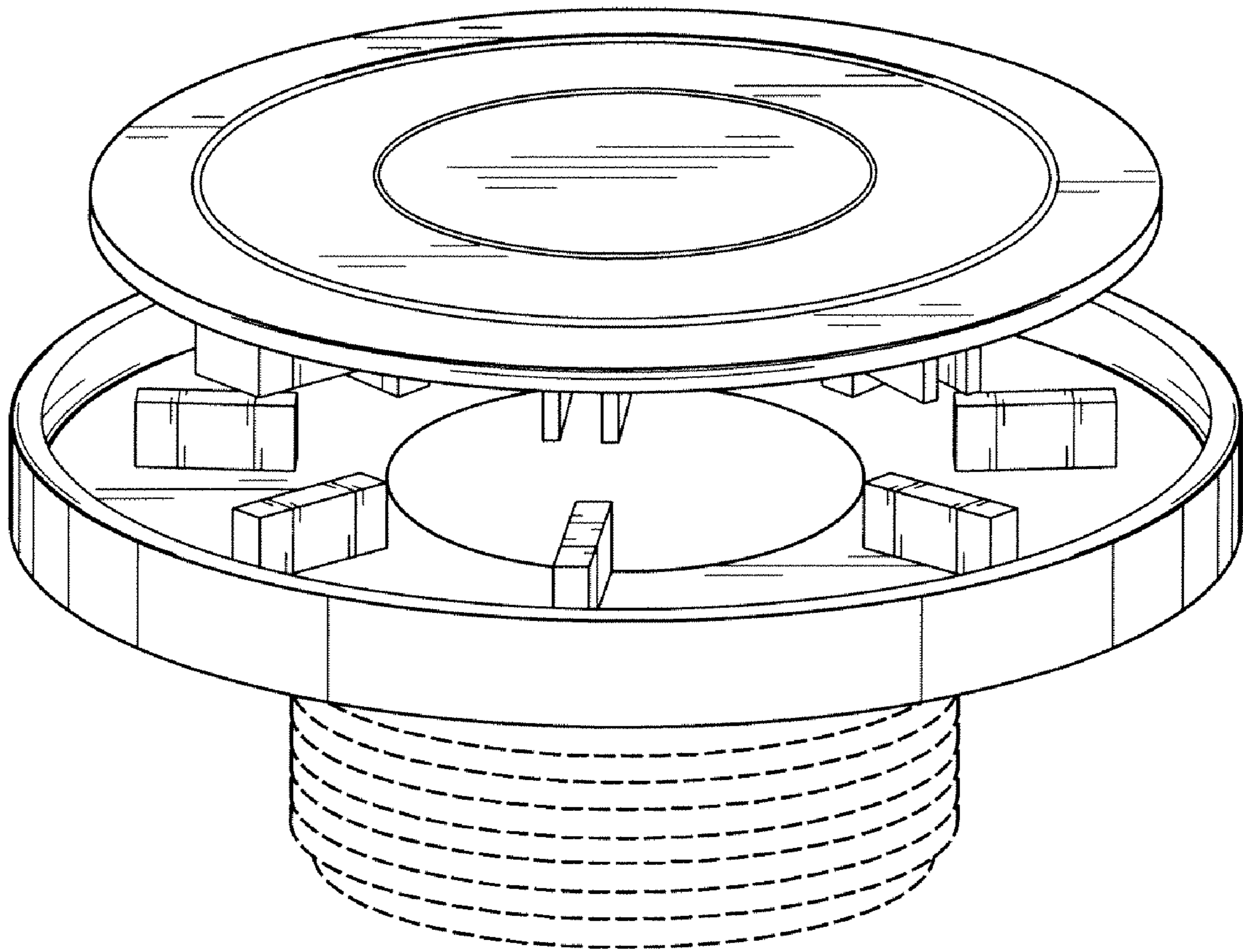


FIG. 4

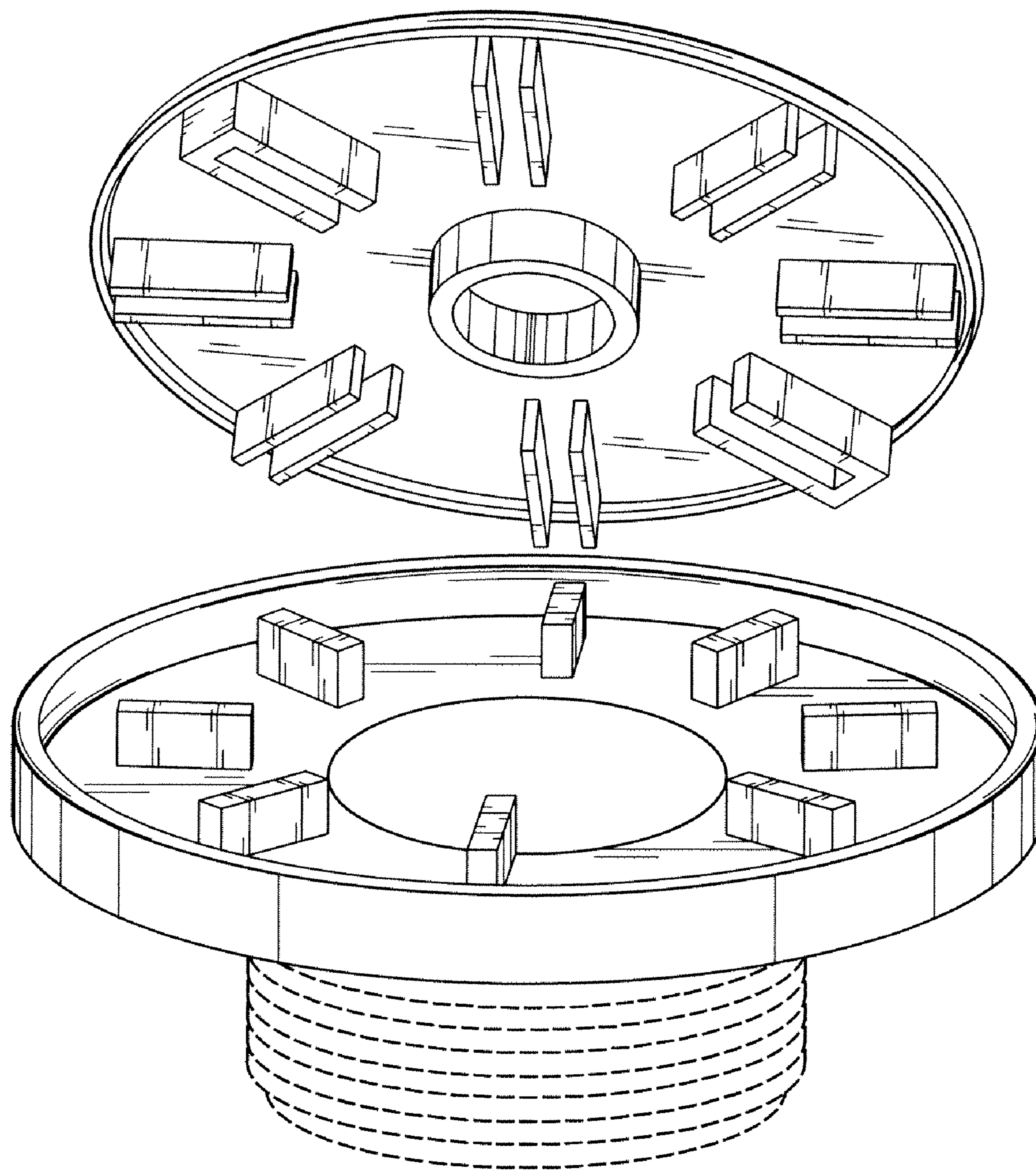


FIG. 5

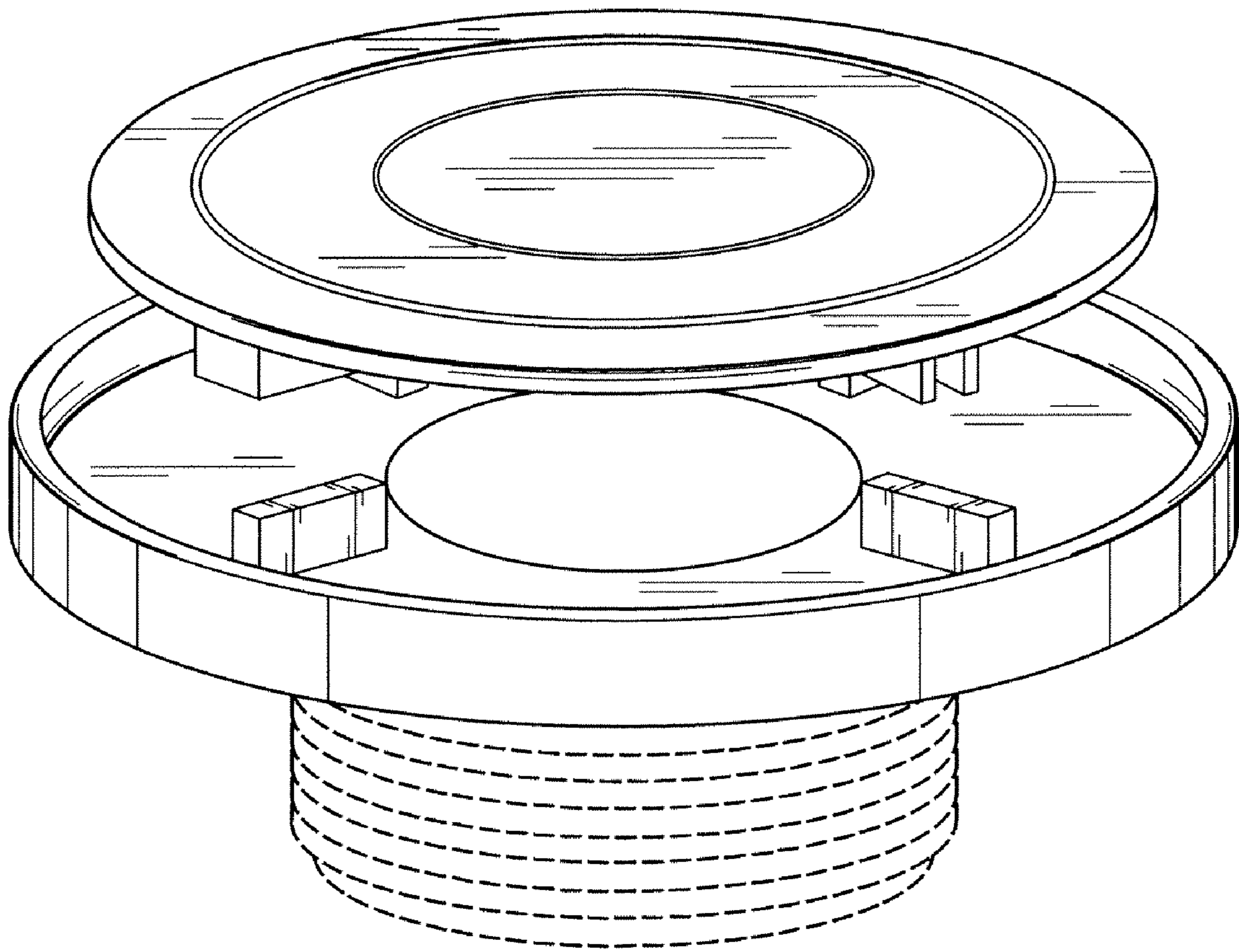


FIG. 6

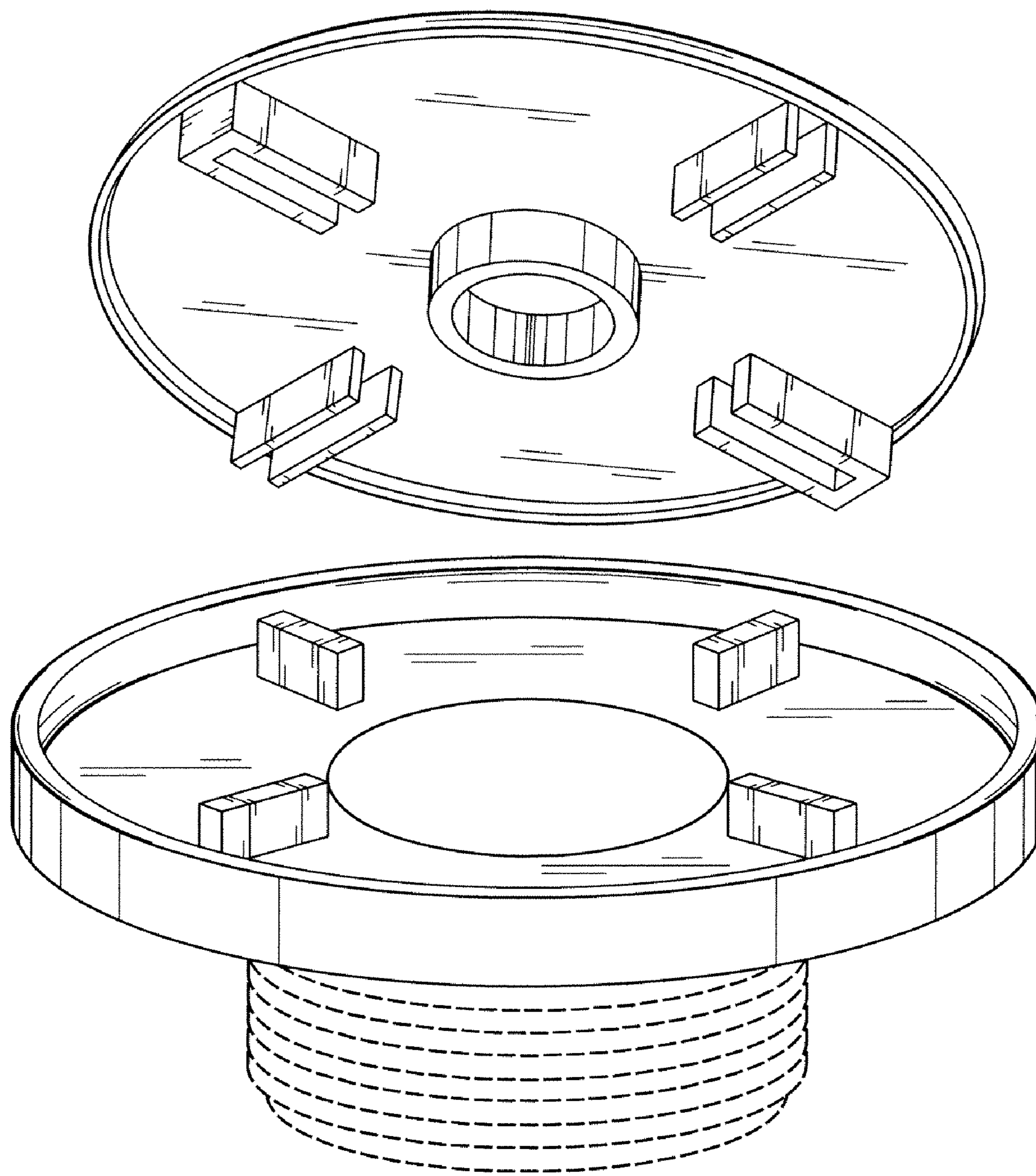


FIG. 7

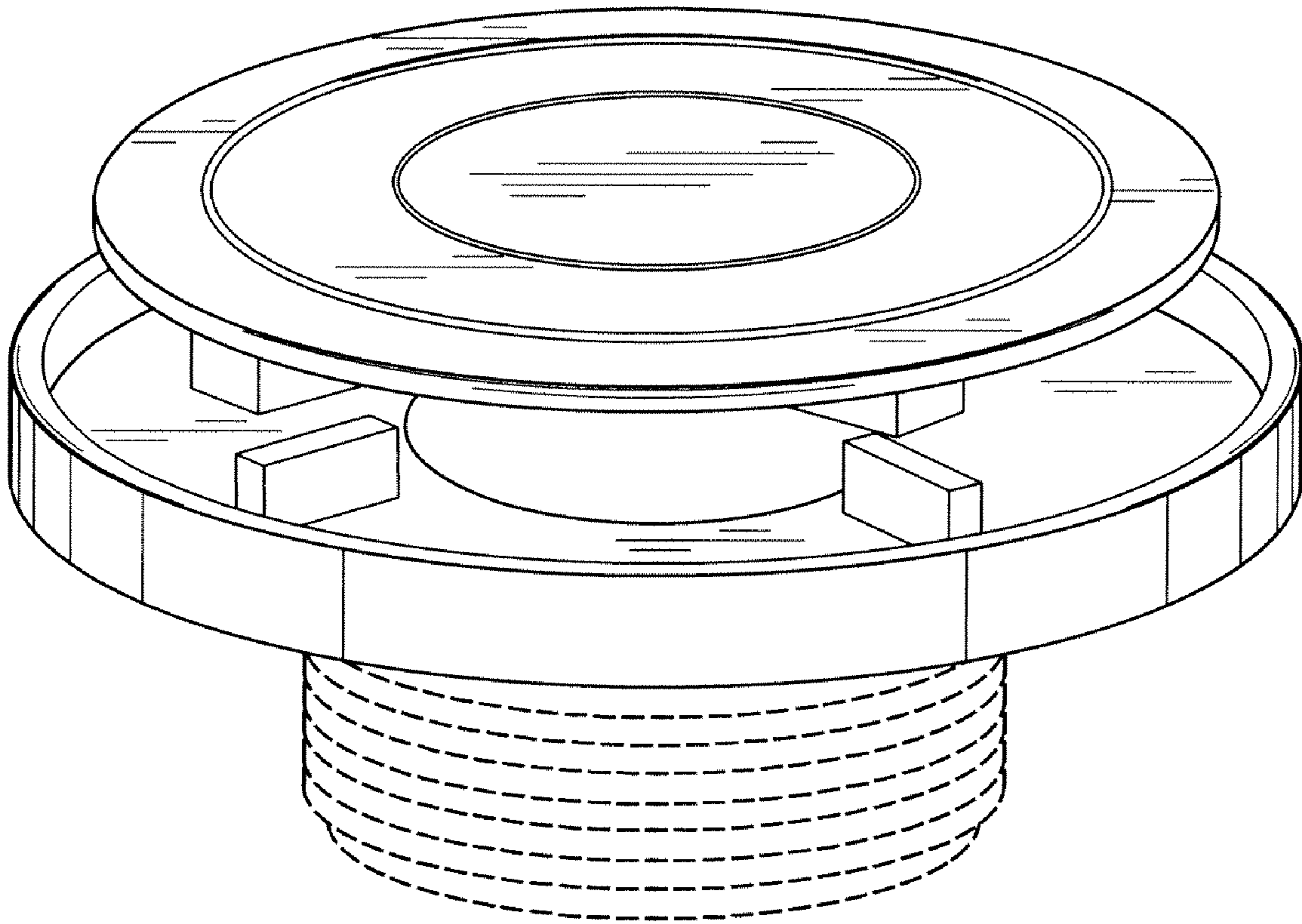


FIG. 8

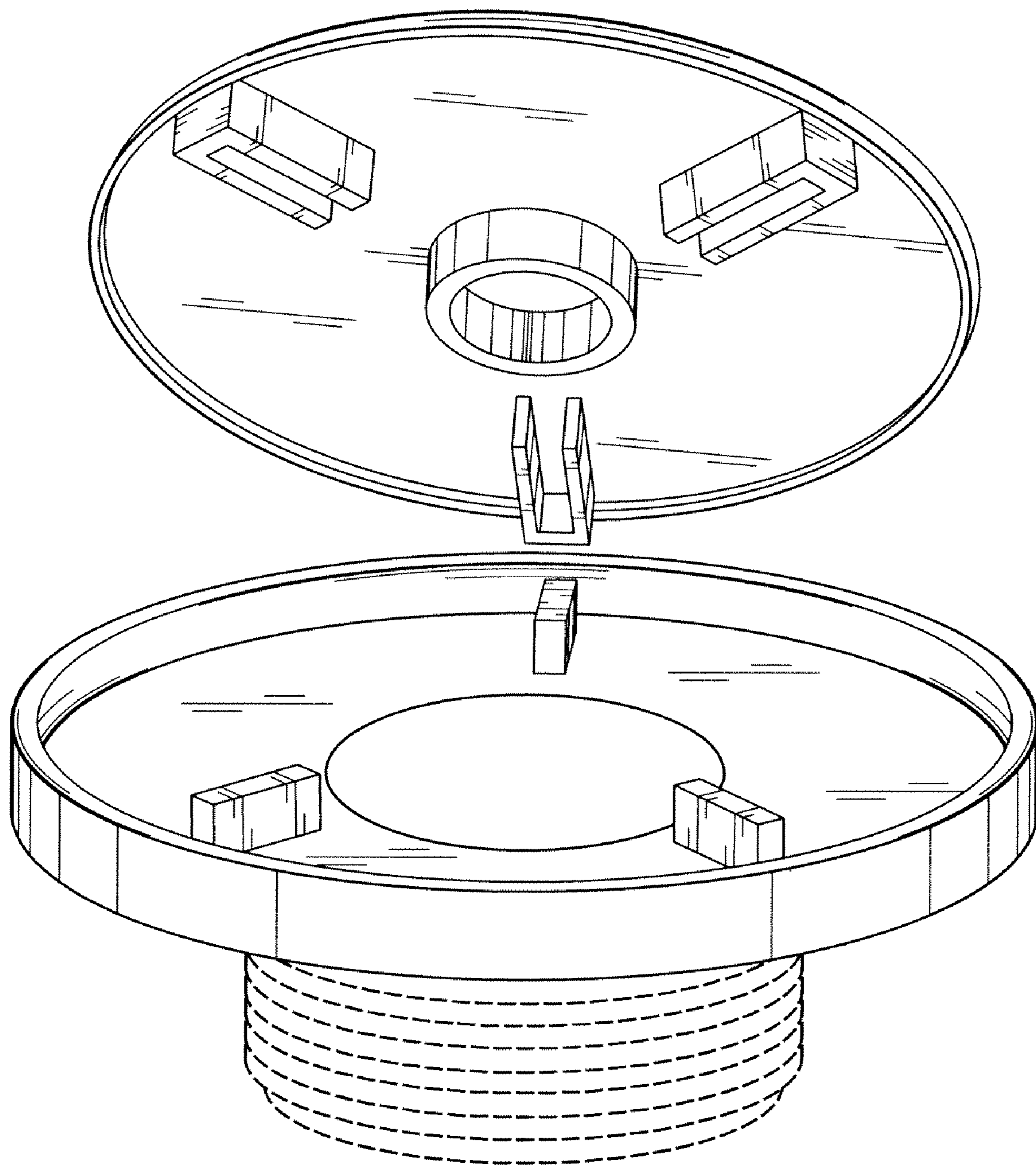


FIG. 9

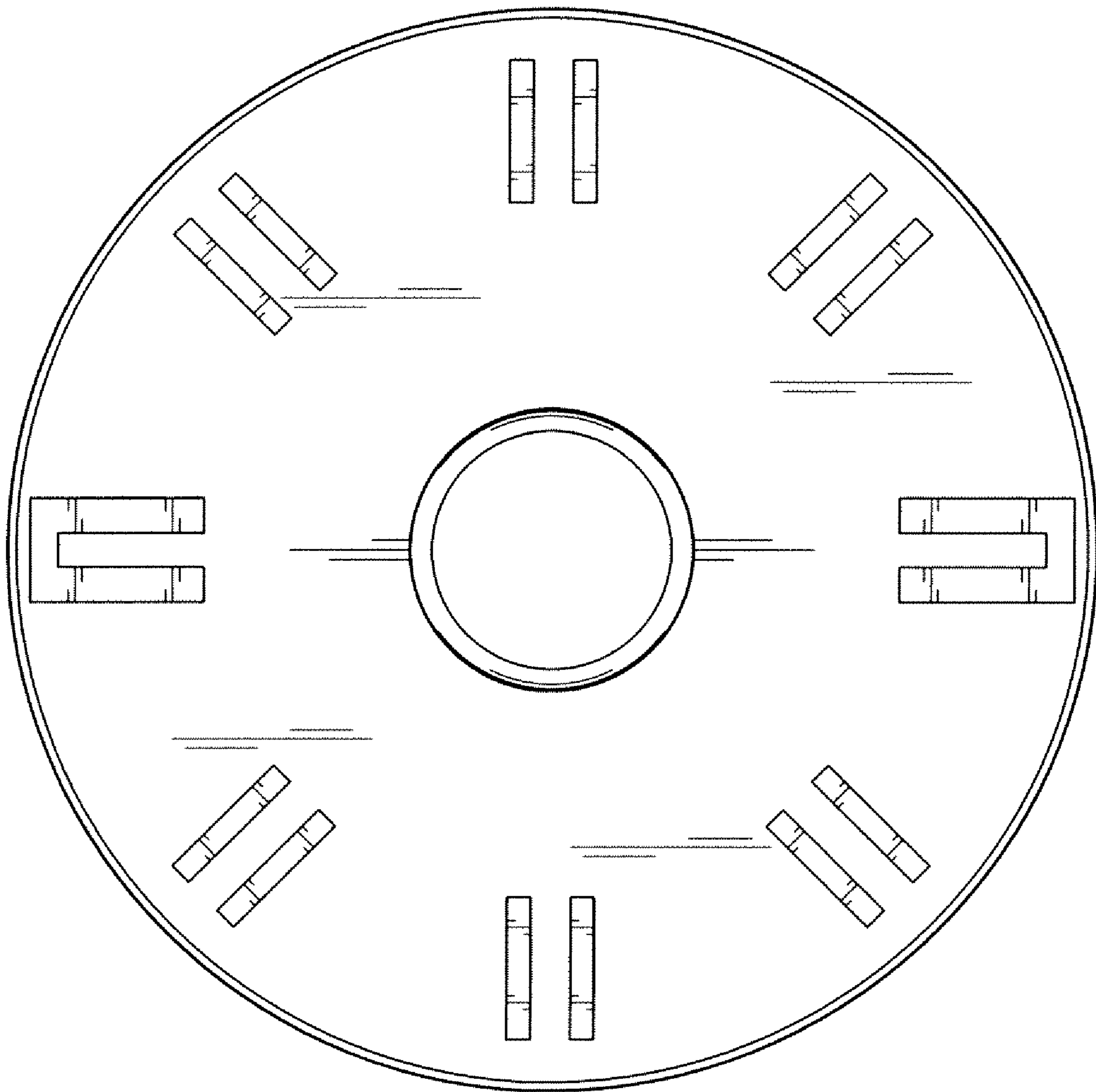


FIG. 10

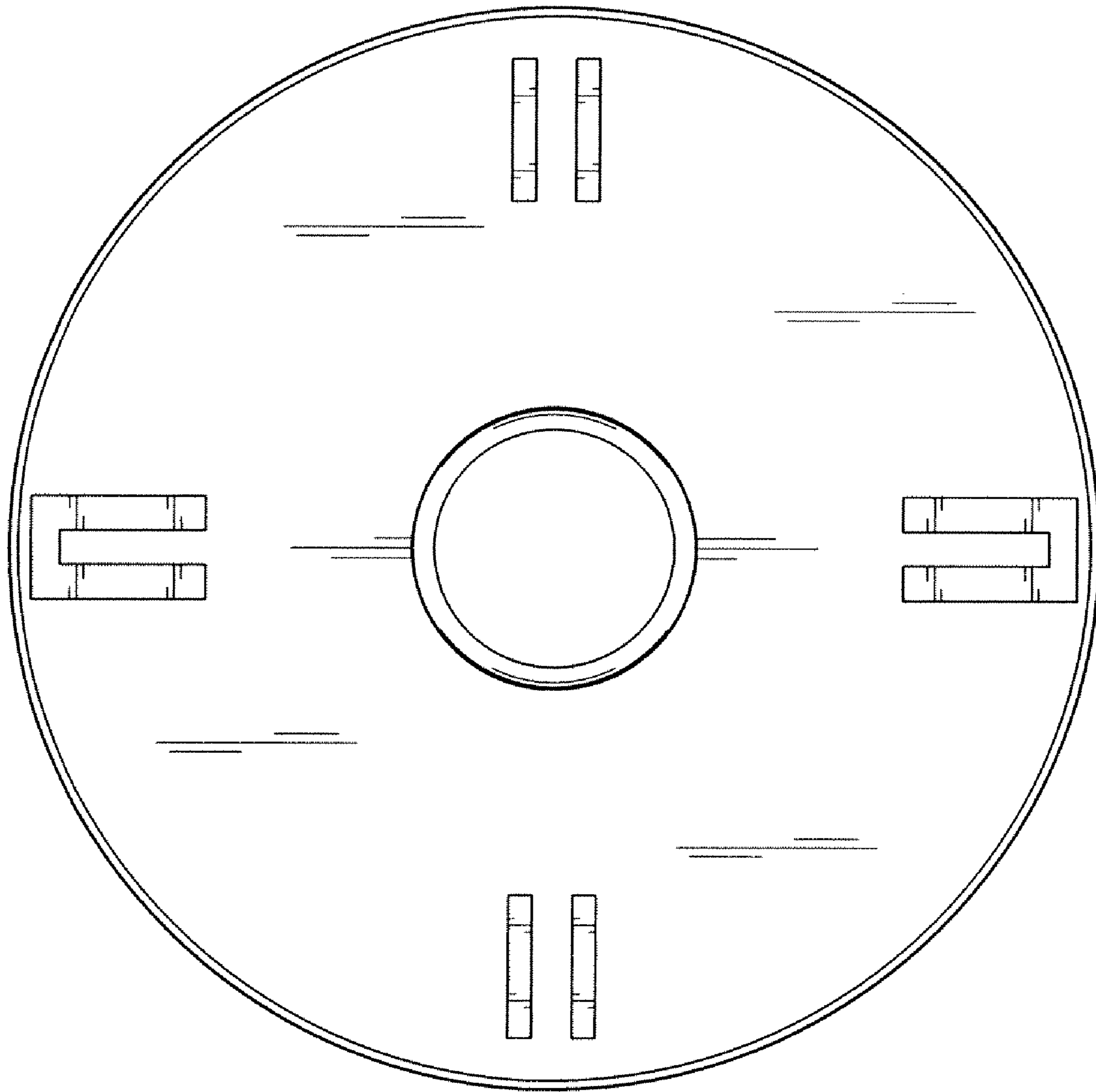


FIG. 11

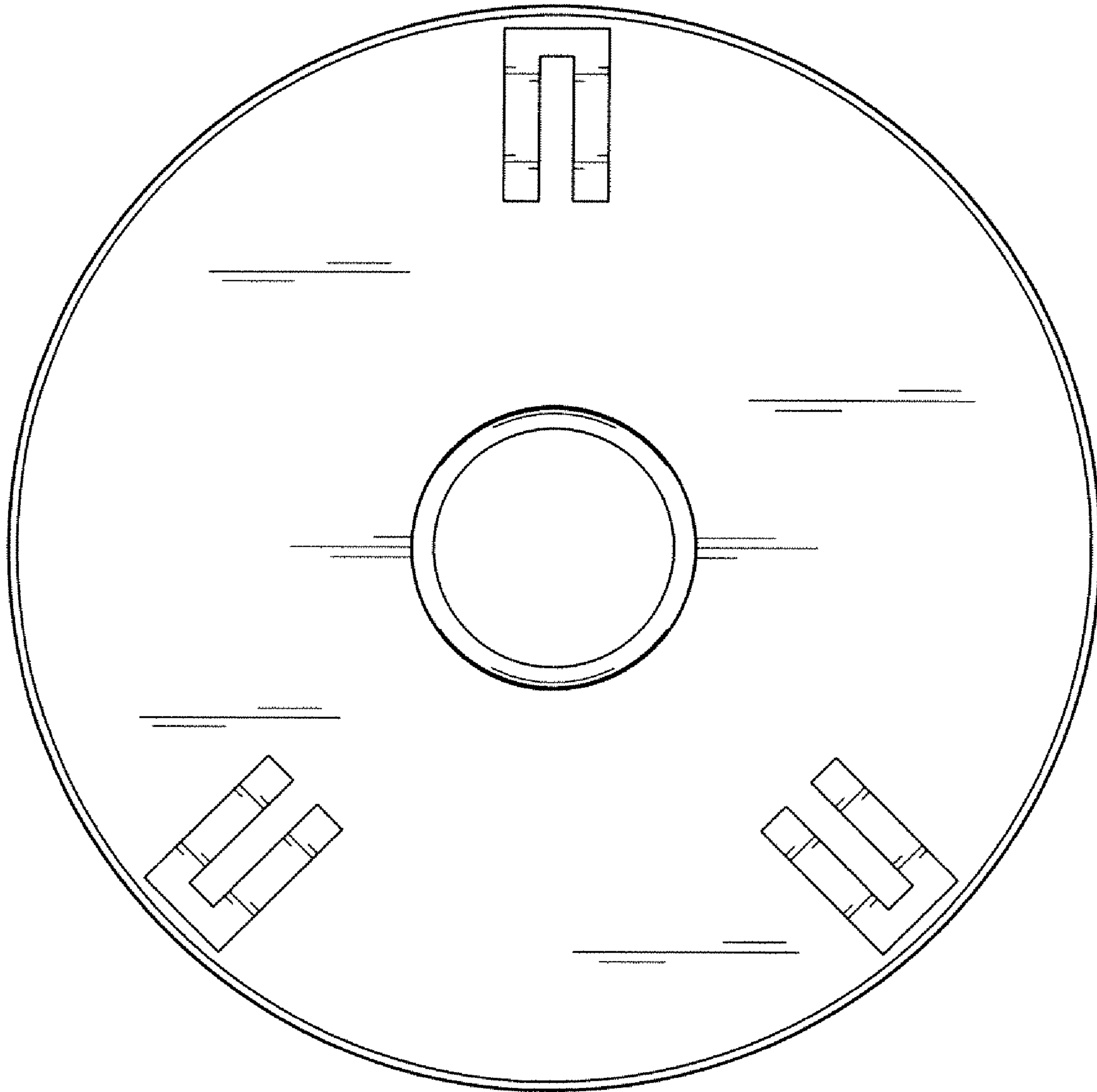


FIG. 12

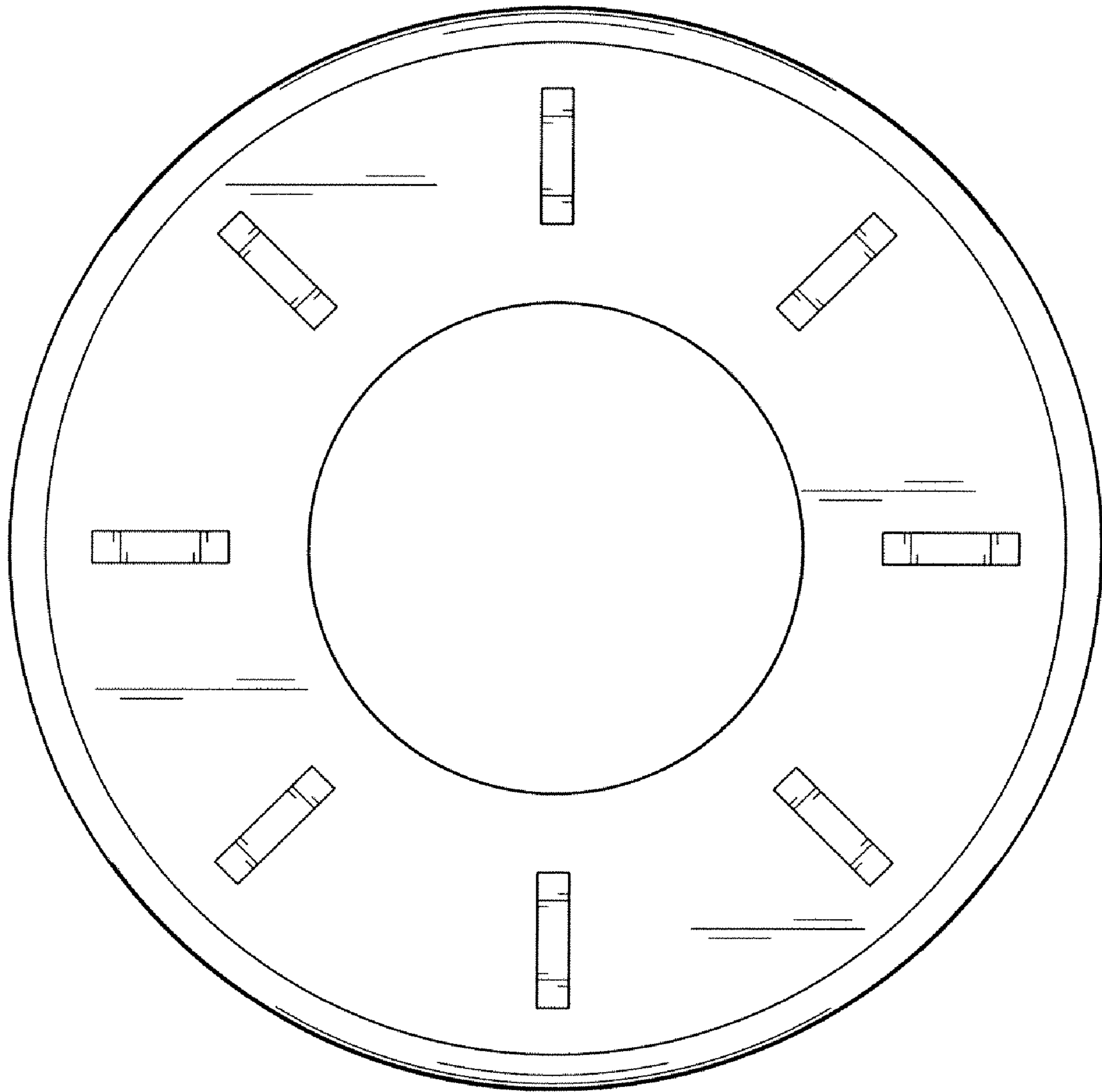


FIG. 13

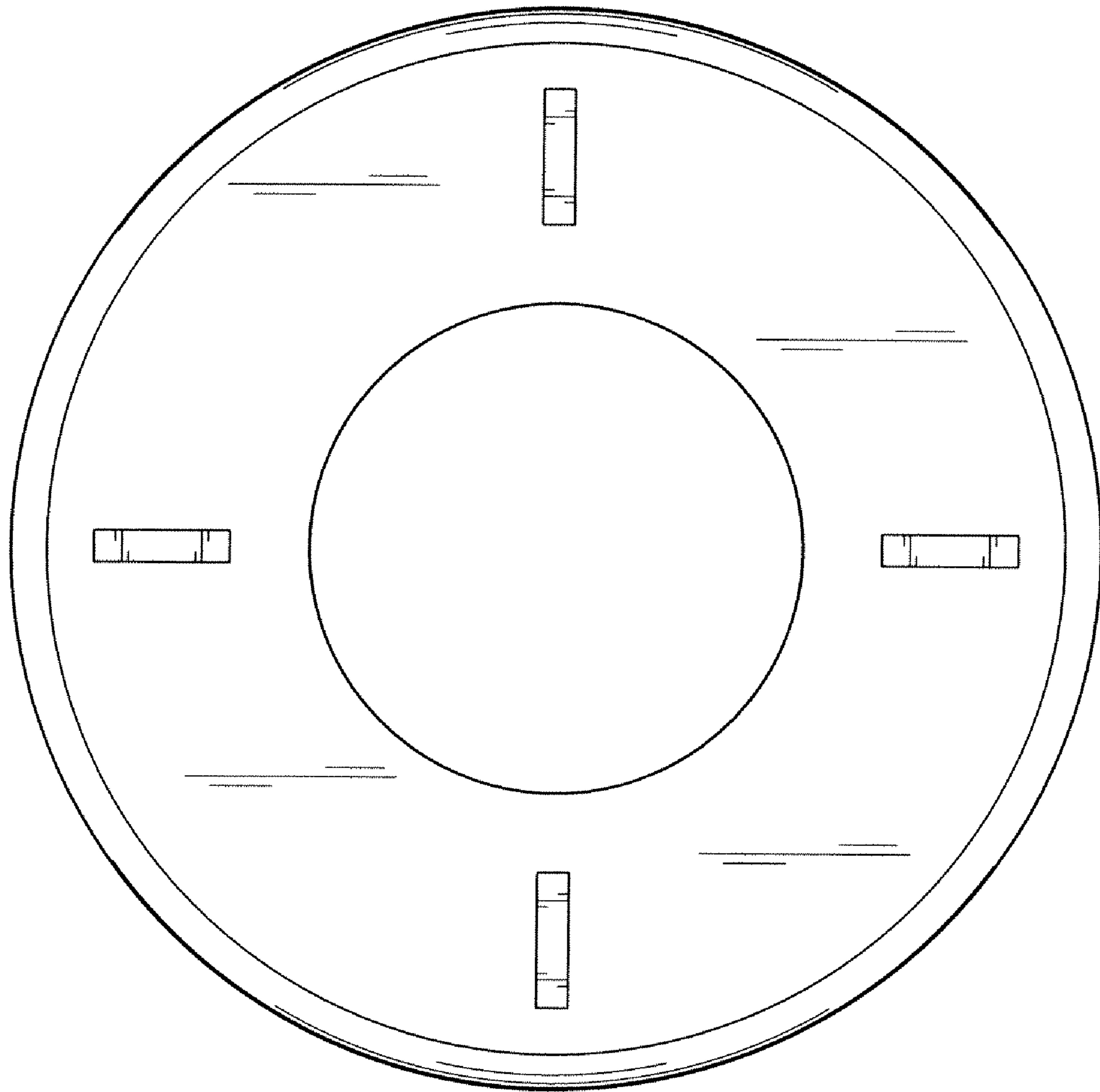


FIG. 14

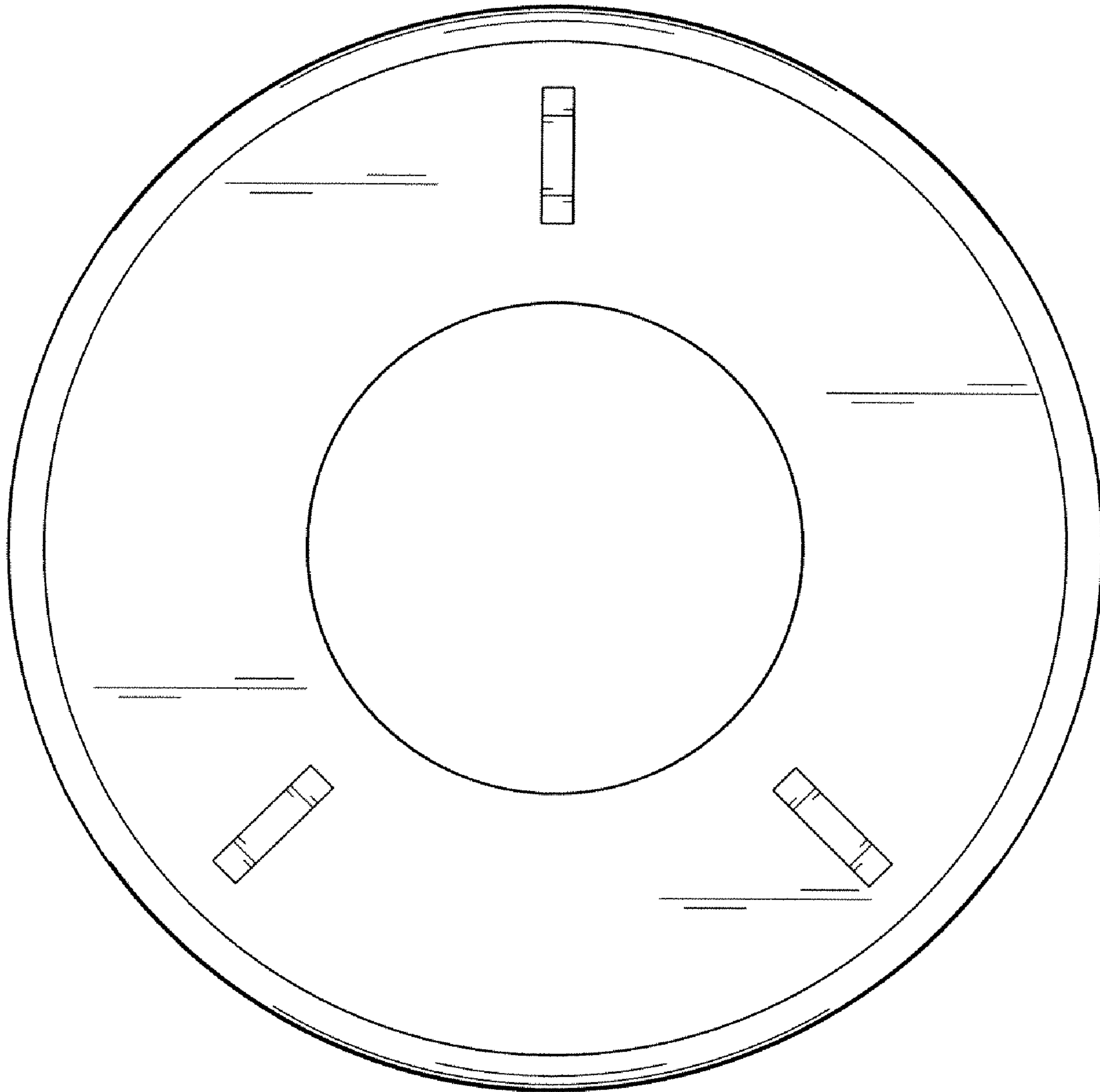


FIG. 15