



US00D614263S

(12) **United States Design Patent**  
**Hudson et al.**

(10) **Patent No.:** **US D614,263 S**

(45) **Date of Patent:** **\*\* Apr. 20, 2010**

(54) **SPRAYER**

7,207,500 B2 \* 4/2007 Hudson et al. .... 239/332

\* cited by examiner

(75) Inventors: **William A. Hudson**, Fox Point, WI (US); **Wayne Beissel**, Hastings, MN (US); **Gary Kowalczyk**, Walker, MI (US); **Bill Blair**, Holland, MI (US); **Steve Downing**, Shell Rock, IA (US)

*Primary Examiner*—Robin V Webster  
(74) *Attorney, Agent, or Firm*—Marshall, Gerstein & Borun LLP

(73) Assignee: **H.D. Hudson Manufacturing Company**, Chicago, IL (US)

(57) **CLAIM**

The ornamental design for a sprayer, as shown and described.

(\*\*) Term: **14 Years**

**DESCRIPTION**

(21) Appl. No.: **29/336,182**

FIG. 1 is a front and right side elevational view of a sprayer that has the design.

(22) Filed: **Apr. 29, 2009**

FIG. 2 is a right side elevational view of the sprayer.

(51) **LOC (9) Cl.** ..... **23-01**

FIG. 3 is a right side and back elevational view of the sprayer.

(52) **U.S. Cl.** ..... **D23/225**

FIG. 4 is a right side, back, and top perspective view of the sprayer.

(58) **Field of Classification Search** ..... D23/213,  
D23/202, 225; 239/310, 373, 337, 332-333,  
239/152-154

FIG. 5 is a back, left side, and top perspective view of the sprayer.

See application file for complete search history.

FIG. 6 is a right side, back, and bottom perspective view of the sprayer.

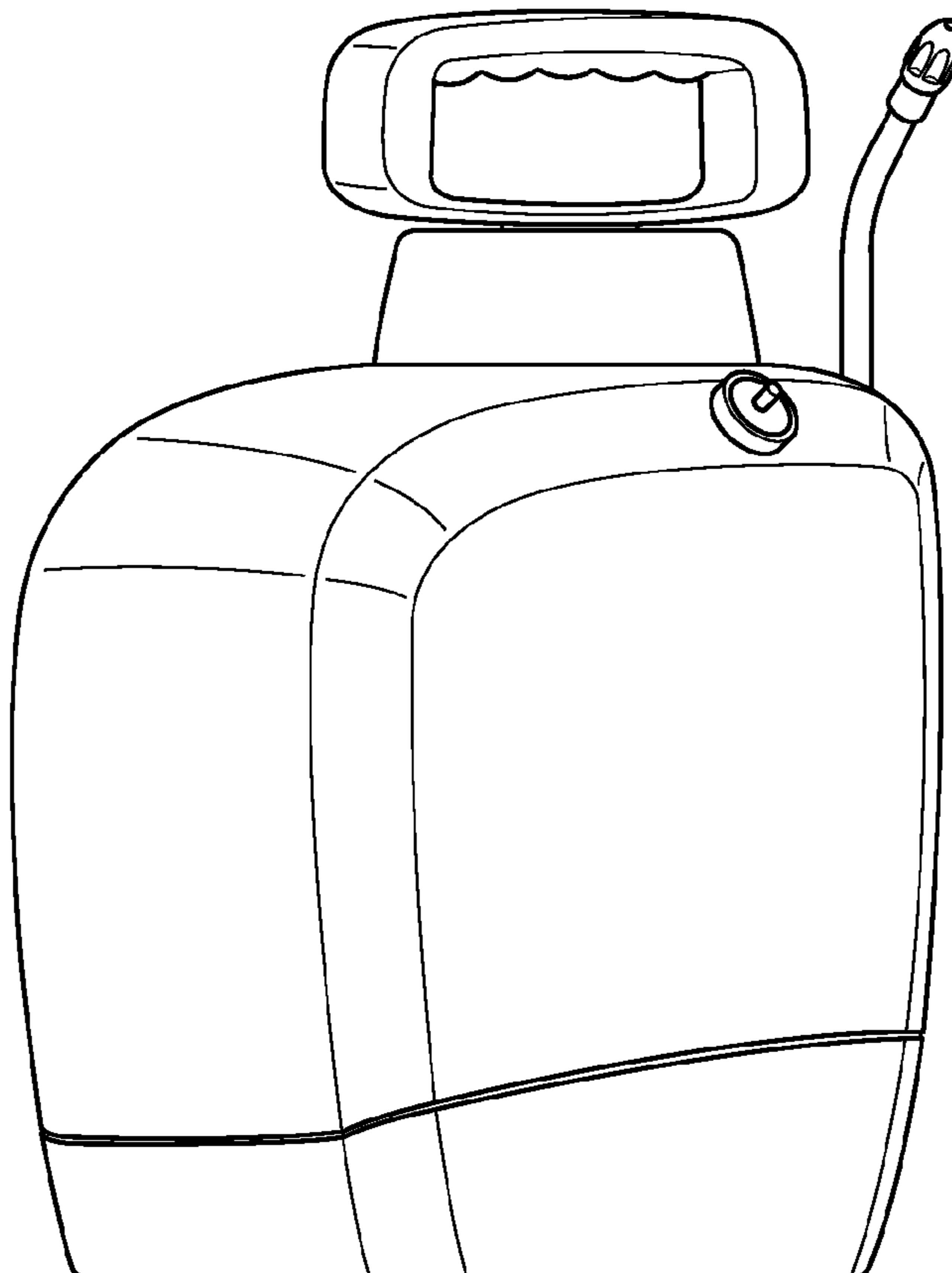
(56) **References Cited**

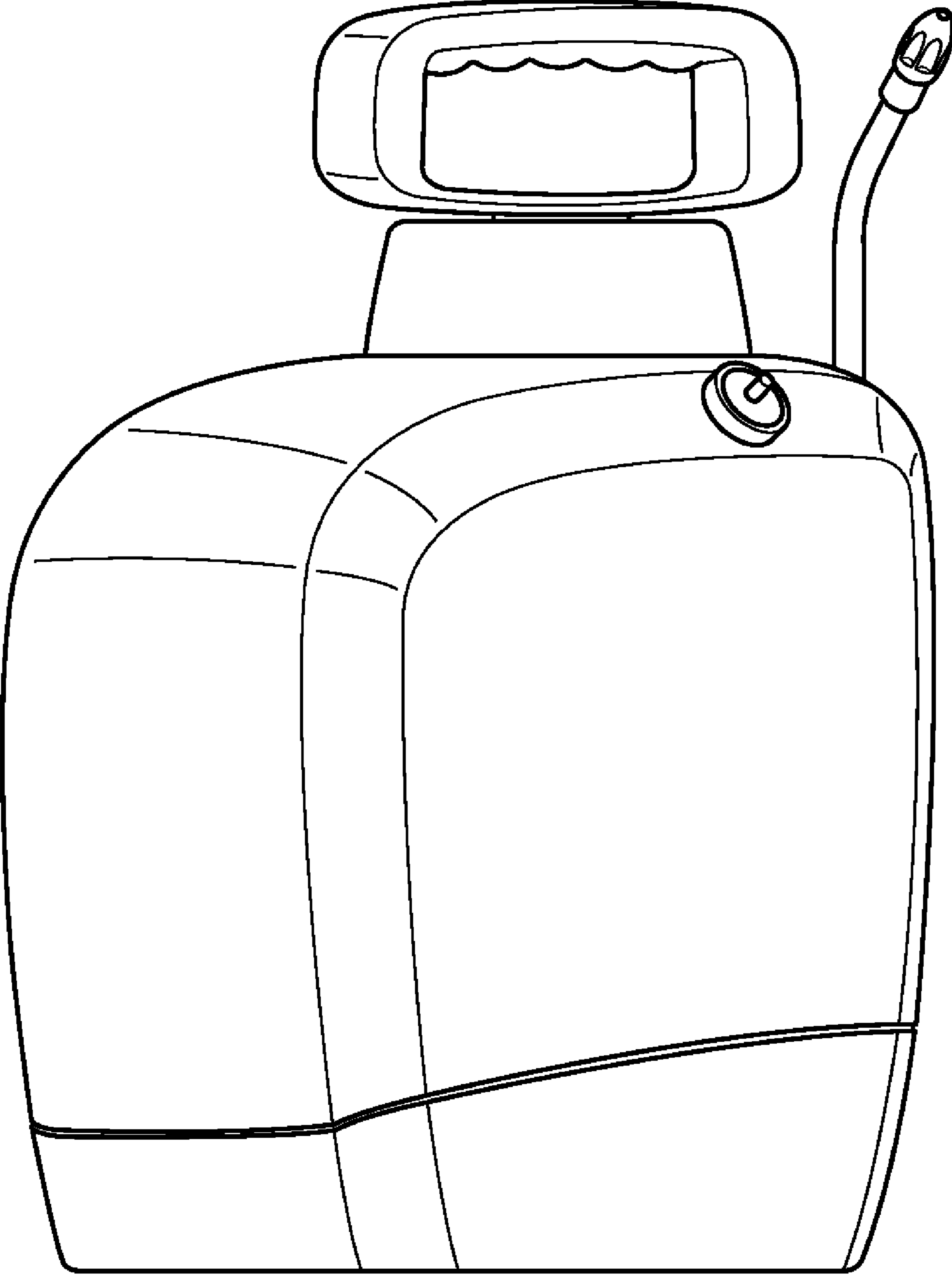
FIG. 7 is an enlarged view of the bottom of the sprayer; and,  
FIG. 8 is a top plan view of the sprayer.

**U.S. PATENT DOCUMENTS**

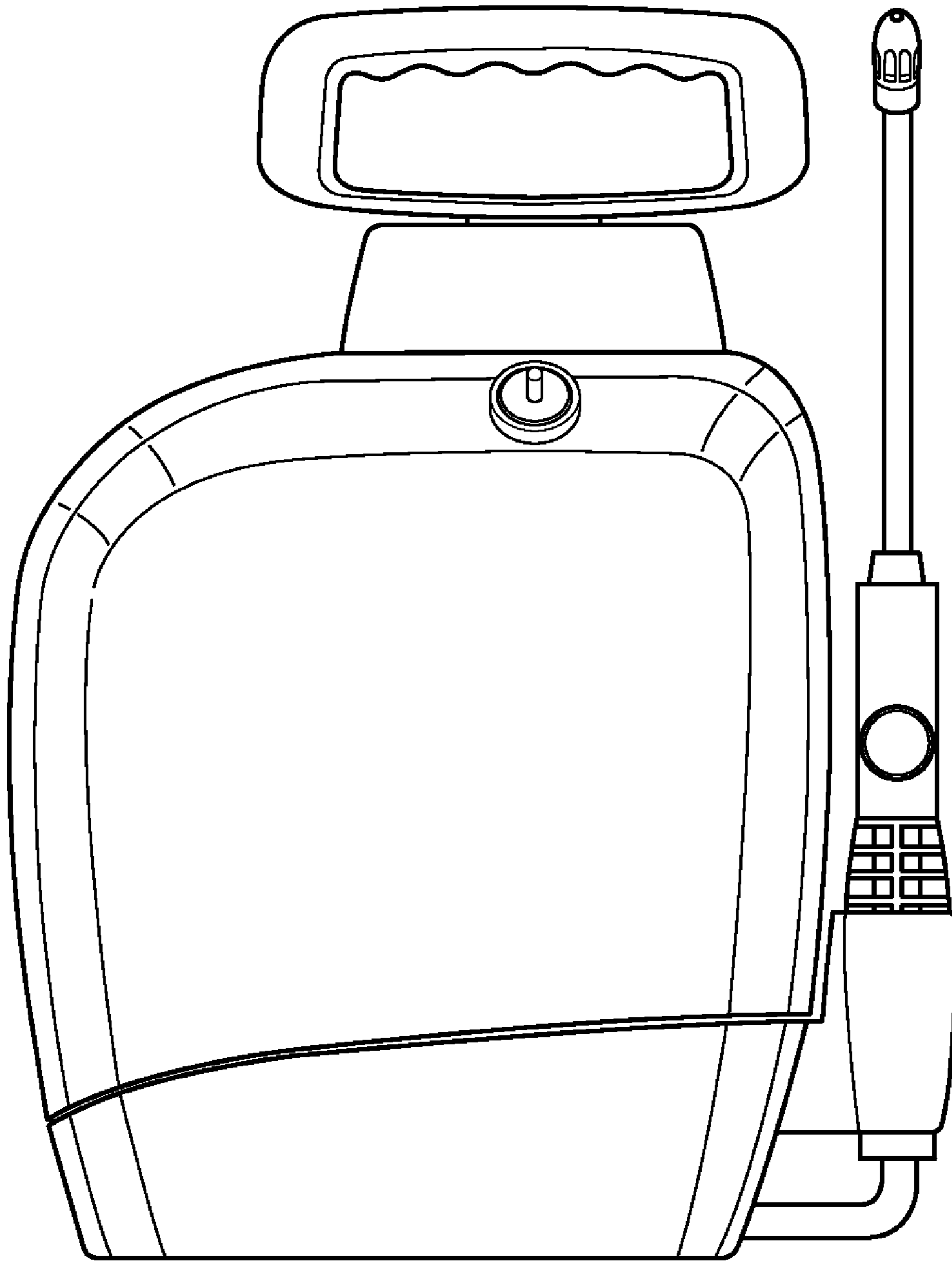
6,113,003 A \* 9/2000 Condon ..... 239/142  
6,953,133 B2 \* 10/2005 Englhard et al. .... 222/385

**1 Claim, 8 Drawing Sheets**

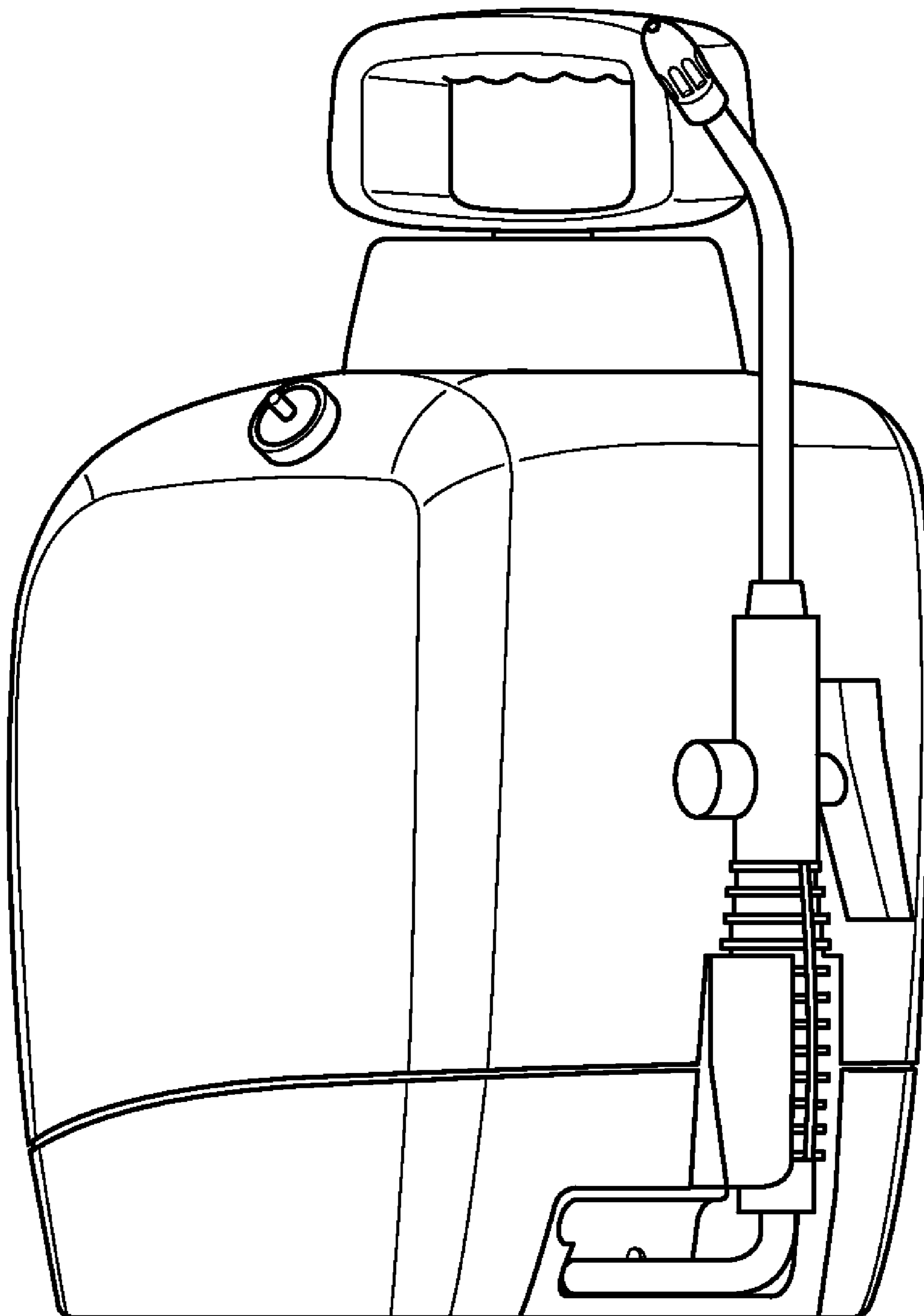




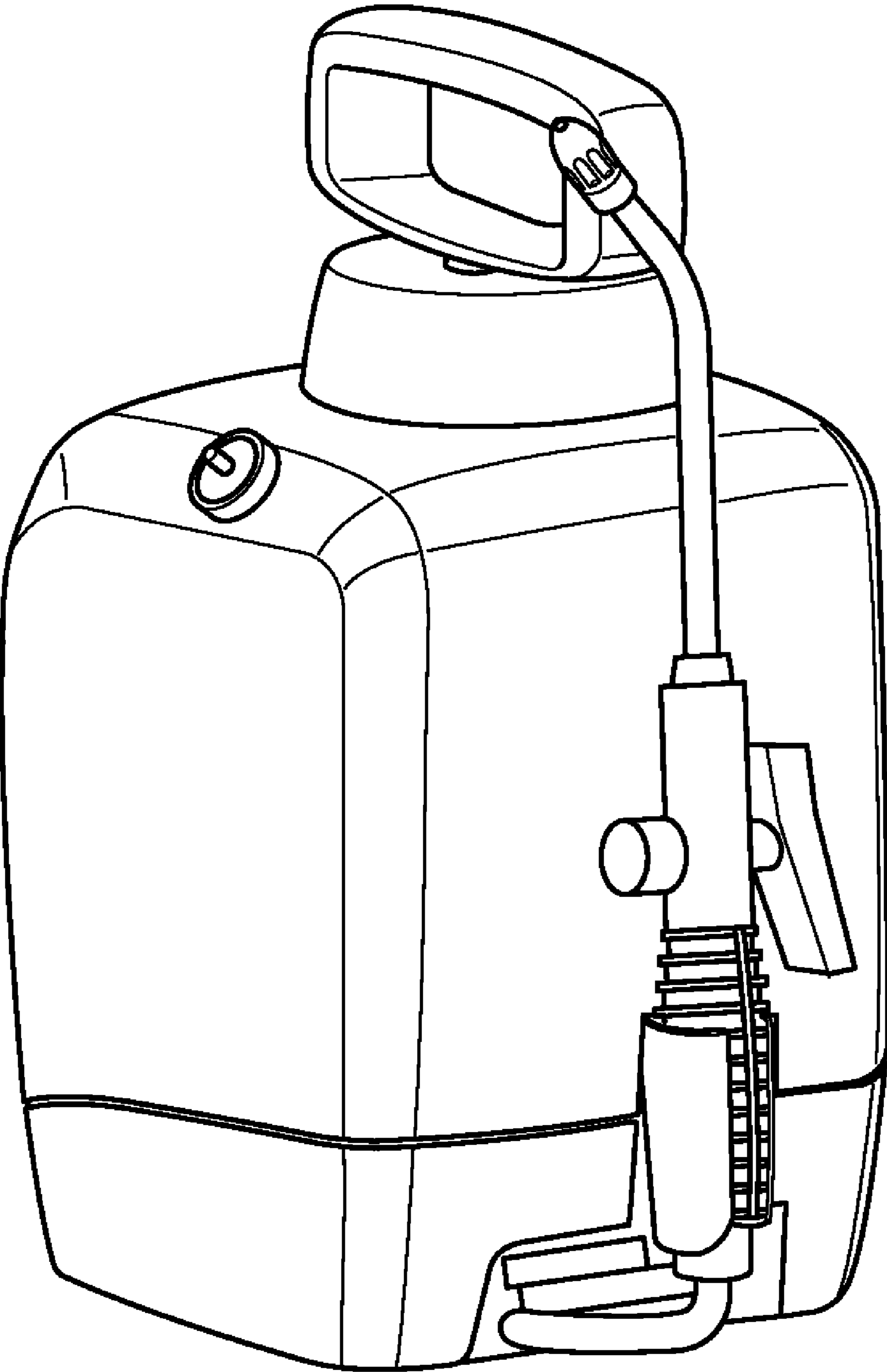
**FIG. 1**



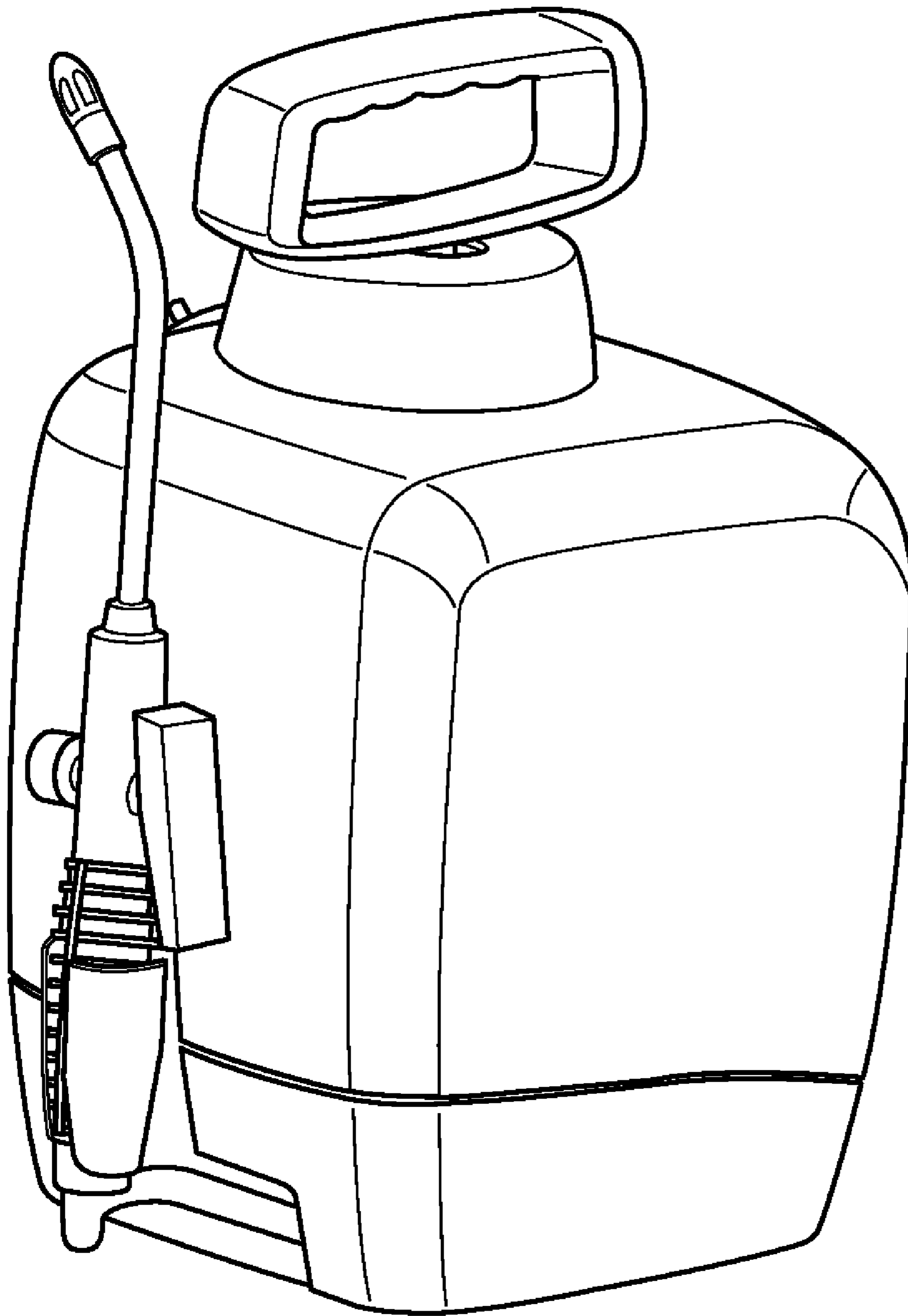
**FIG. 2**



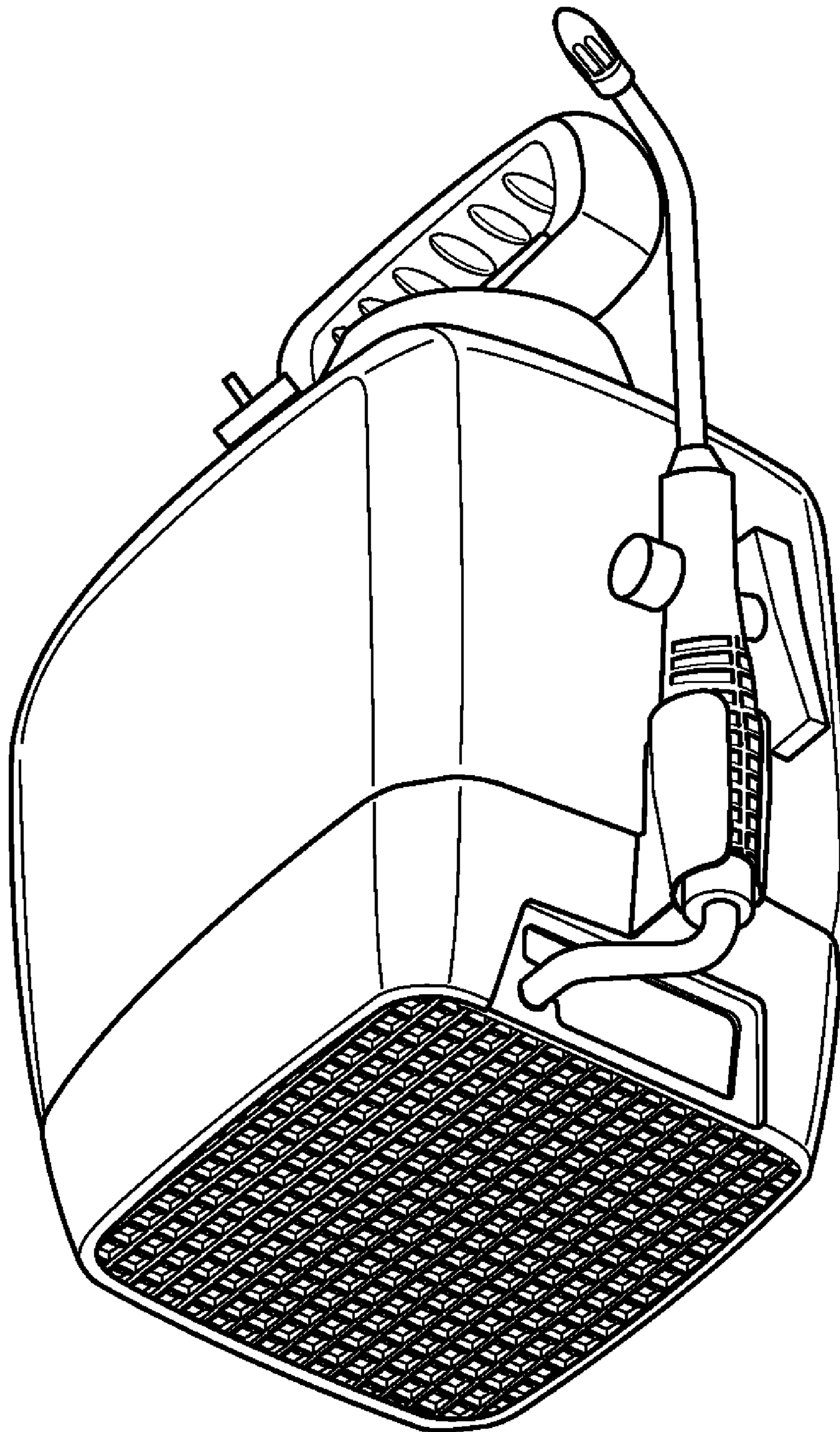
**FIG. 3**



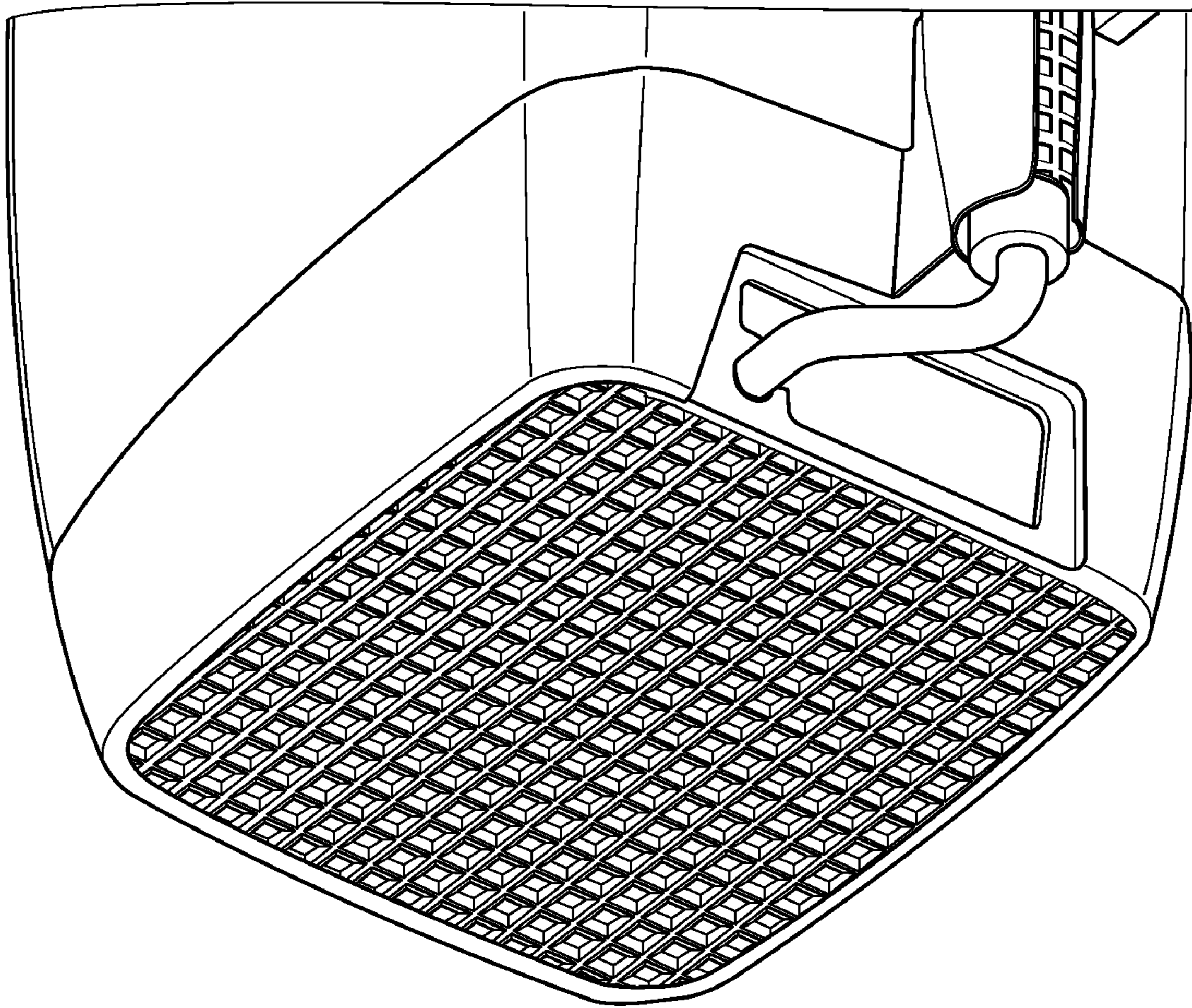
**FIG. 4**



**FIG. 5**

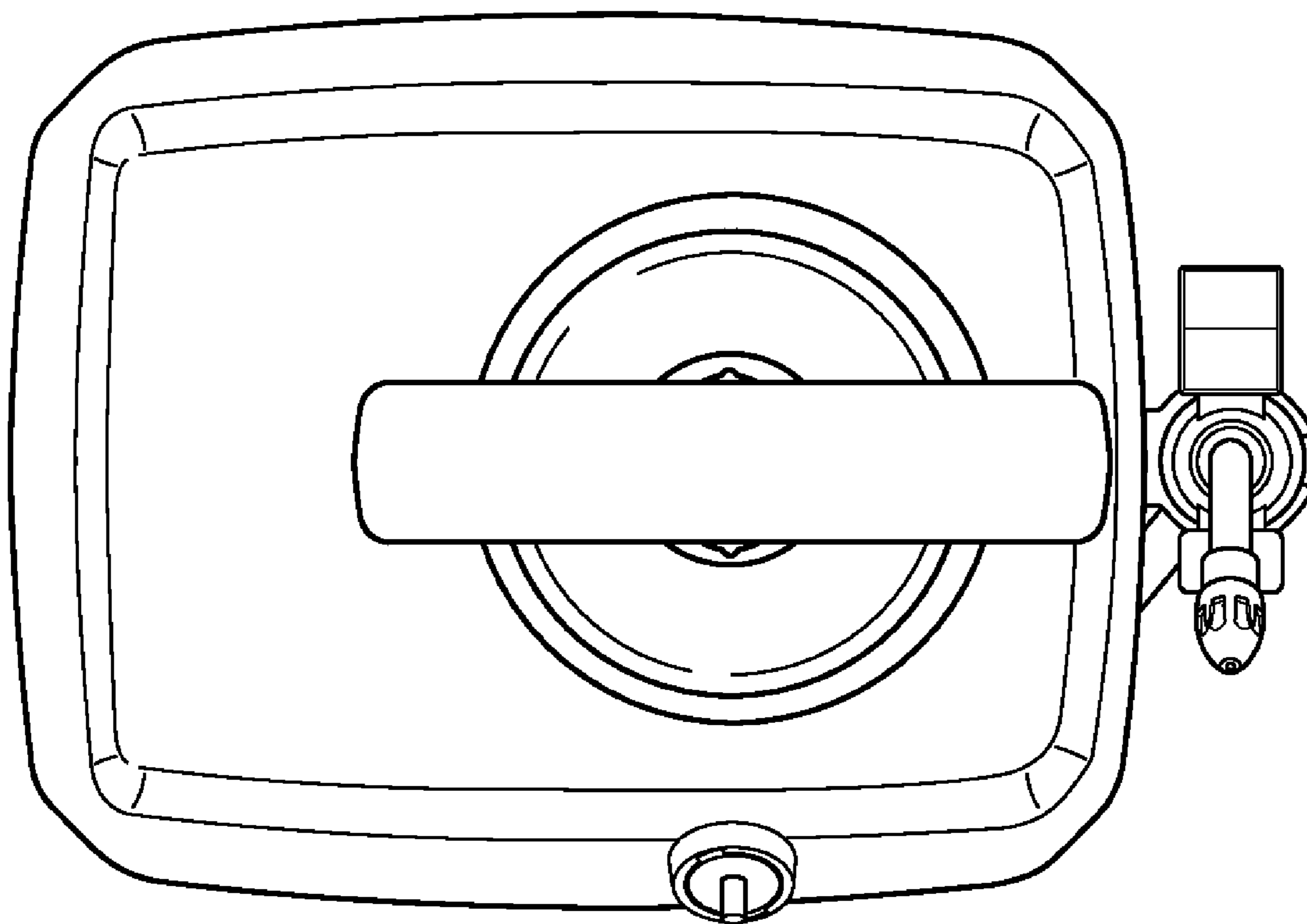


**FIG. 6**



**FIG. 7**





**FIG. 8**