



US00D614255S

(12) **United States Design Patent**
LaRocque et al.

(10) **Patent No.:** **US D614,255 S**
(45) **Date of Patent:** **** Apr. 20, 2010**

(54) **CUFF DEVICE**

(75) Inventors: **Ryan K. LaRocque**, Pepperell, MA
(US); **Thomas S. Schnellinger**, North
Andover, MA (US)

(73) Assignee: **DEKA Products Limited Partnership**,
Manchester, NH (US)

(**) Term: **14 Years**

(21) Appl. No.: **29/322,482**

(22) Filed: **Aug. 6, 2008**

(51) **LOC (9) Cl.** **21-06**

(52) **U.S. Cl.** **D21/810**

(58) **Field of Classification Search** D21/769-770,
D21/801, 803, 804, 806, 807, 810; D2/731,
D2/732; 472/55, 56, 58, 60-66, 69, 72-75,
472/79; D12/319; D29/120.1
See application file for complete search history.

(56) **References Cited**

U.S. PATENT DOCUMENTS

2,792,577	A *	5/1957	Boyers	441/60
2,898,611	A *	8/1959	Mooney	441/60
D297,674	S *	9/1988	Pihl et al.	D30/145
5,338,235	A *	8/1994	Lee	441/59
D366,850	S *	2/1996	Miller	D10/109
5,692,932	A *	12/1997	Lance et al.	441/60
6,048,237	A *	4/2000	Hopper	441/60

D426,678	S *	6/2000	Rule	D29/120.1
6,193,636	B1 *	2/2001	Chen	482/111
6,342,031	B1 *	1/2002	Vaughan	482/55
D455,870	S *	4/2002	Heller et al.	D29/120.1
6,364,727	B1 *	4/2002	Rangel	441/59
7,285,030	B1 *	10/2007	Houck	441/60

* cited by examiner

Primary Examiner—Janice E Seeger

Assistant Examiner—Zenia I Bennett

(74) *Attorney, Agent, or Firm*—Michelle Saquet Temple

(57) **CLAIM**

The ornamental design for a cuff device, as shown.

DESCRIPTION

FIG. 1 is a front-bottom perspective view of a cuff device showing the claimed design;

FIG. 2 is a bottom view thereof;

FIG. 3 is a front view thereof;

FIG. 4 is a rear view thereof

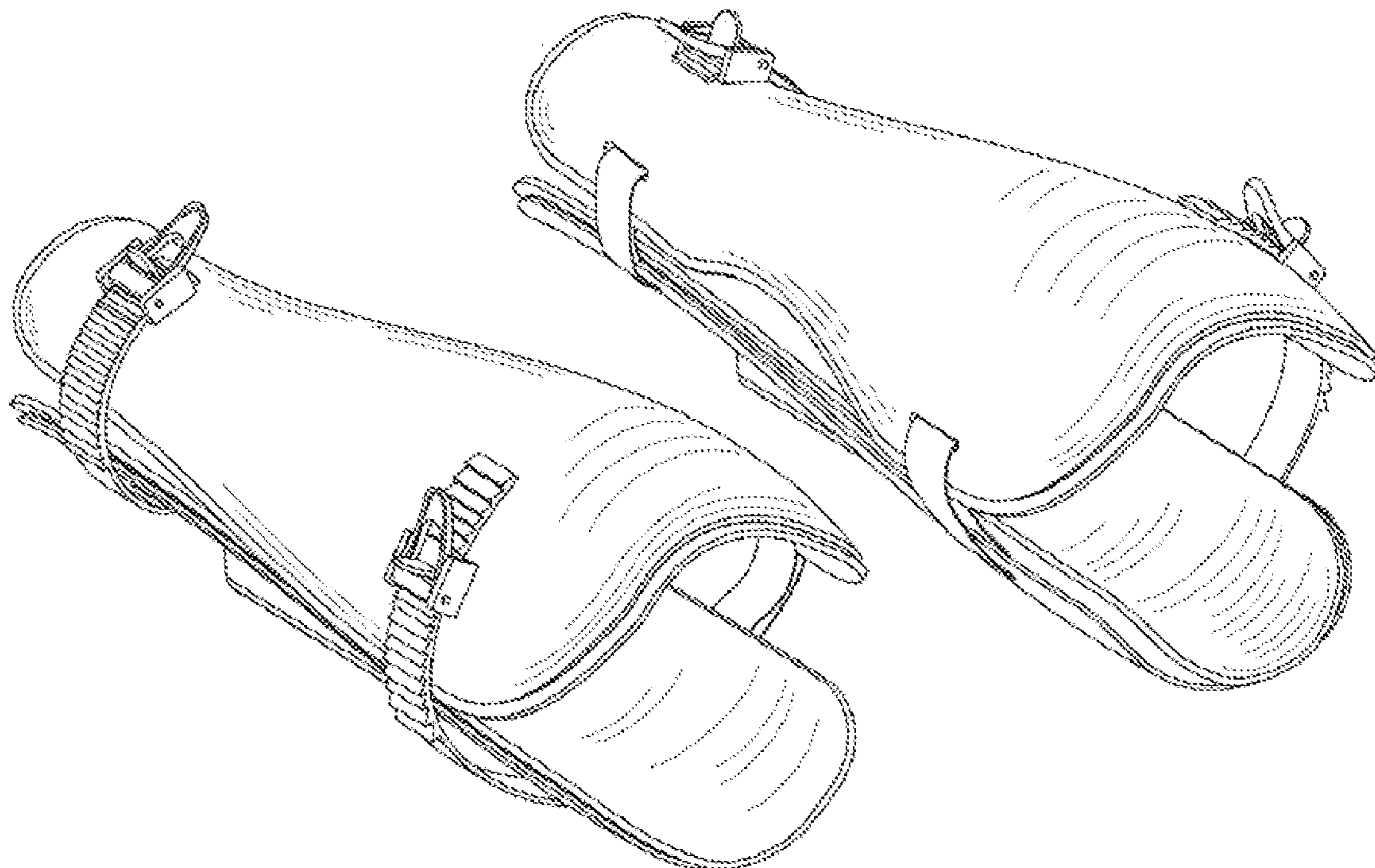
FIG. 5 is a right side view thereof;

FIG. 6 is a front-top perspective view thereof; and,

FIG. 7 is a top view thereof.

The broken lines form the boundary of the claimed design and form no part of the claimed design.

1 Claim, 7 Drawing Sheets



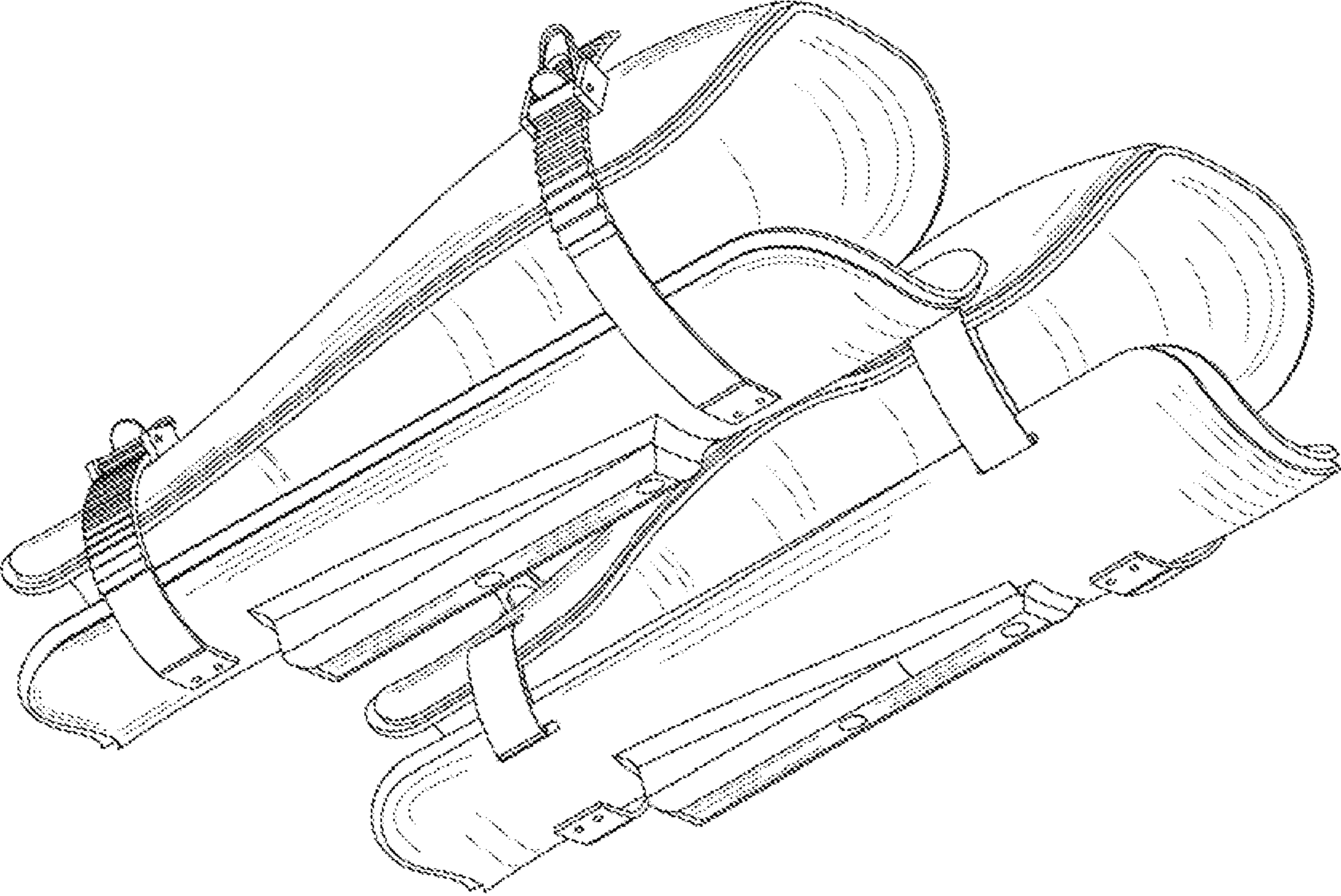


FIG. 1

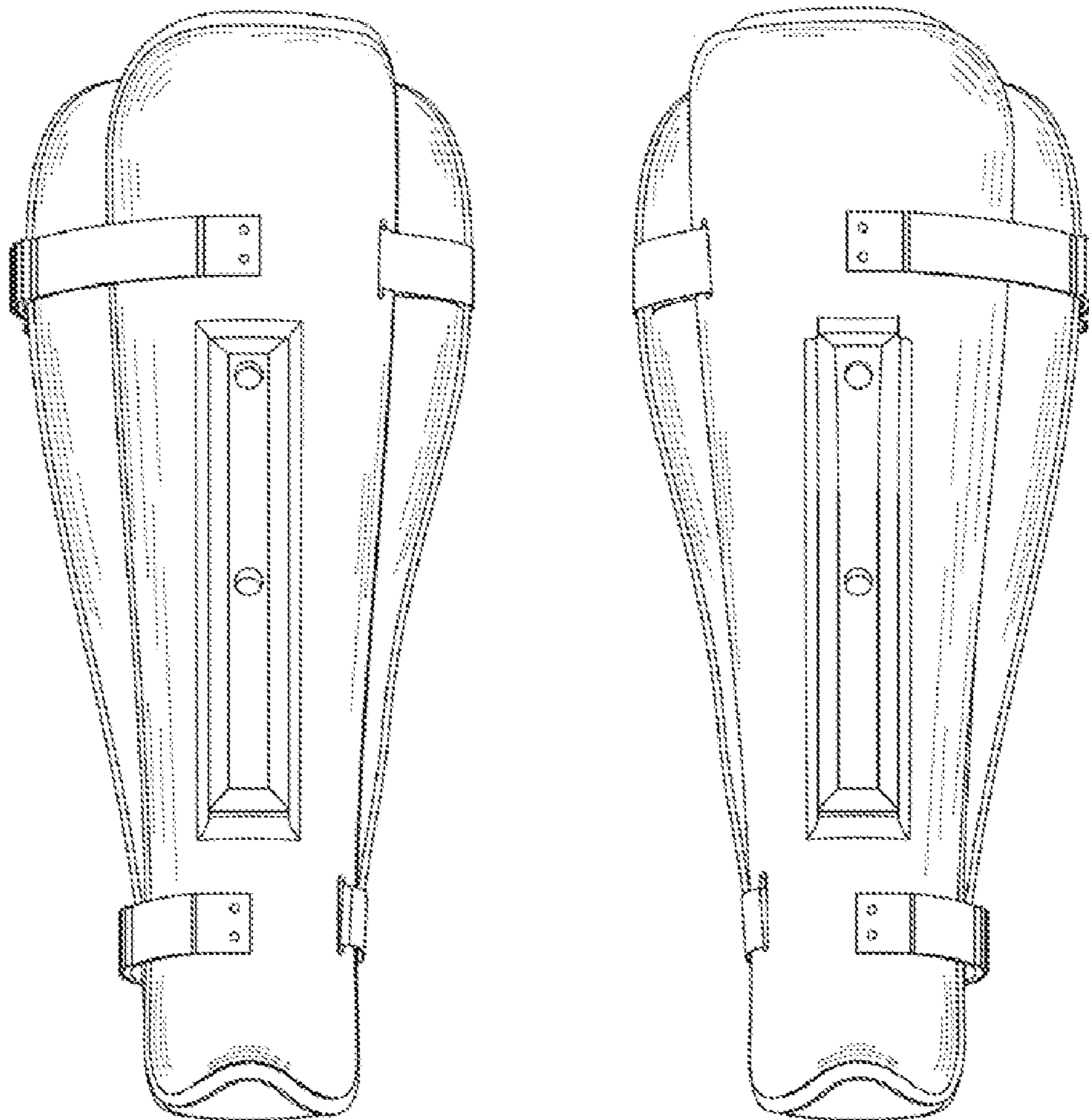


FIG. 2

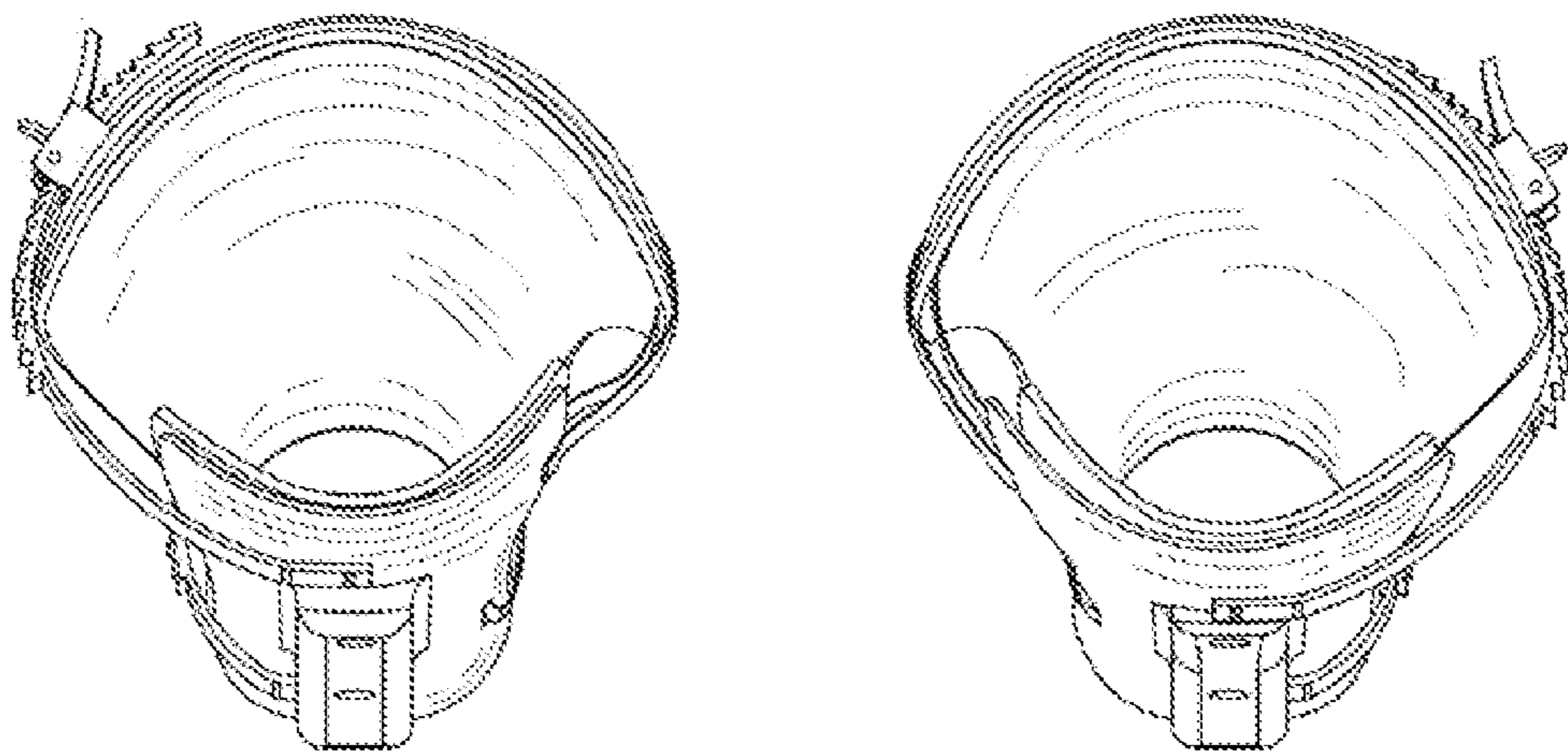


FIG. 3

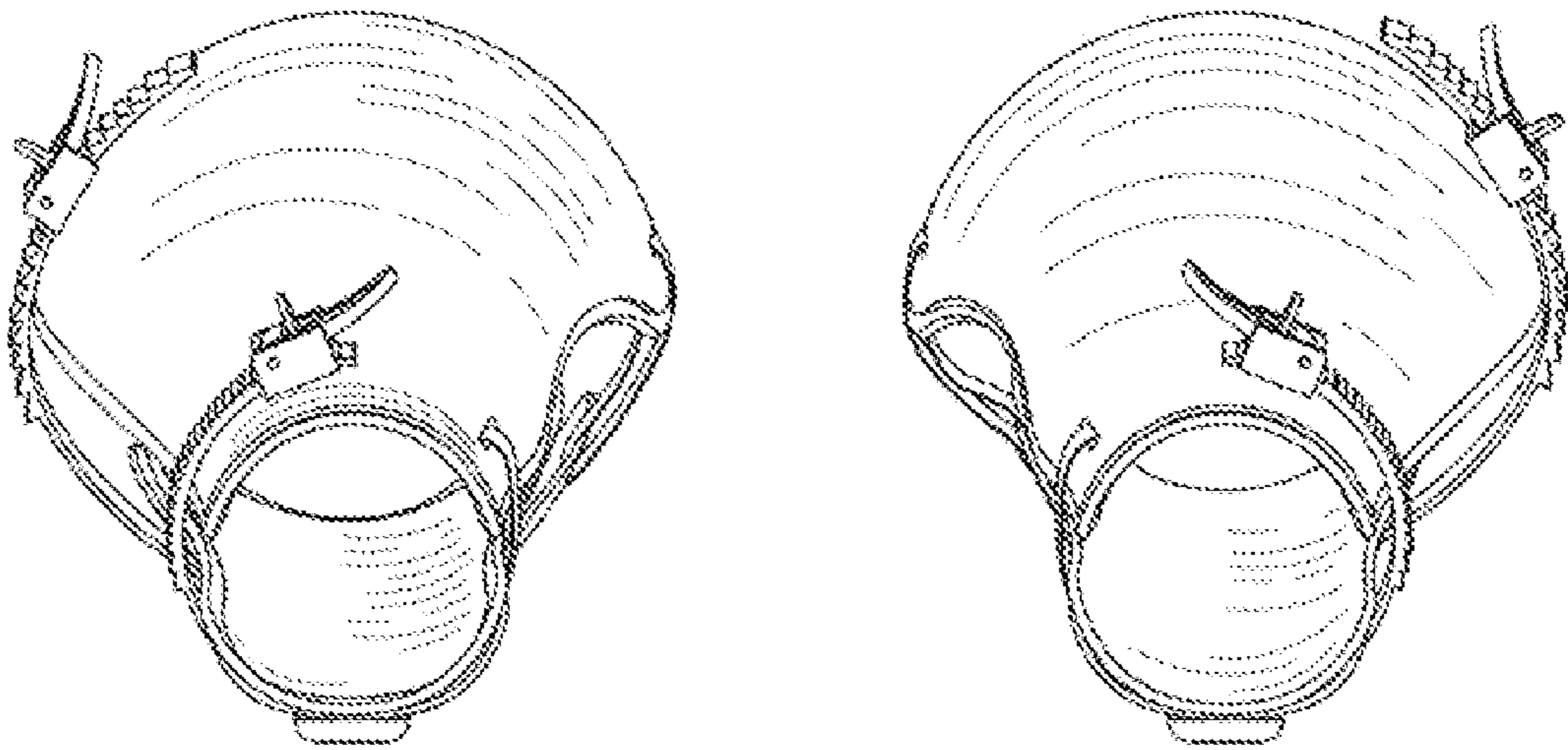


FIG. 4

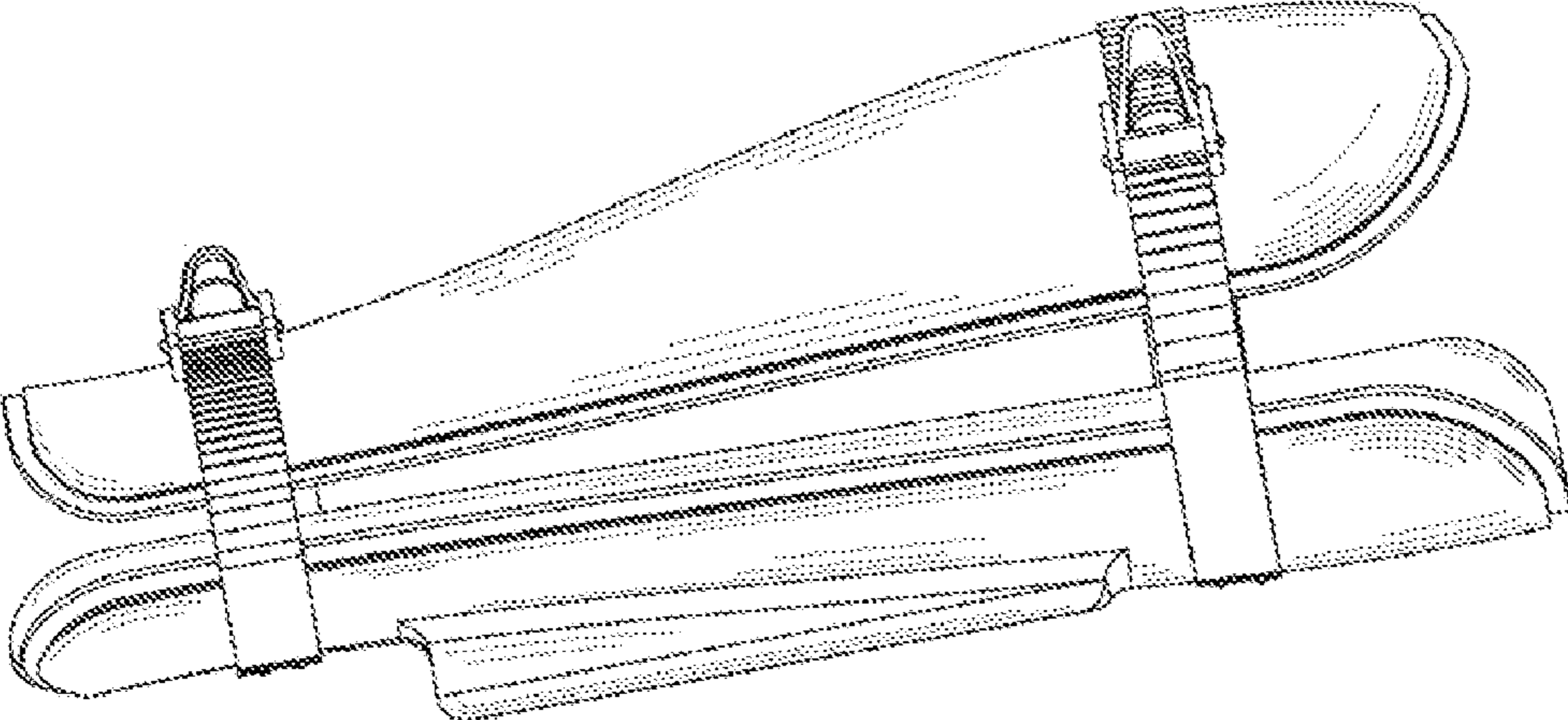


FIG. 5

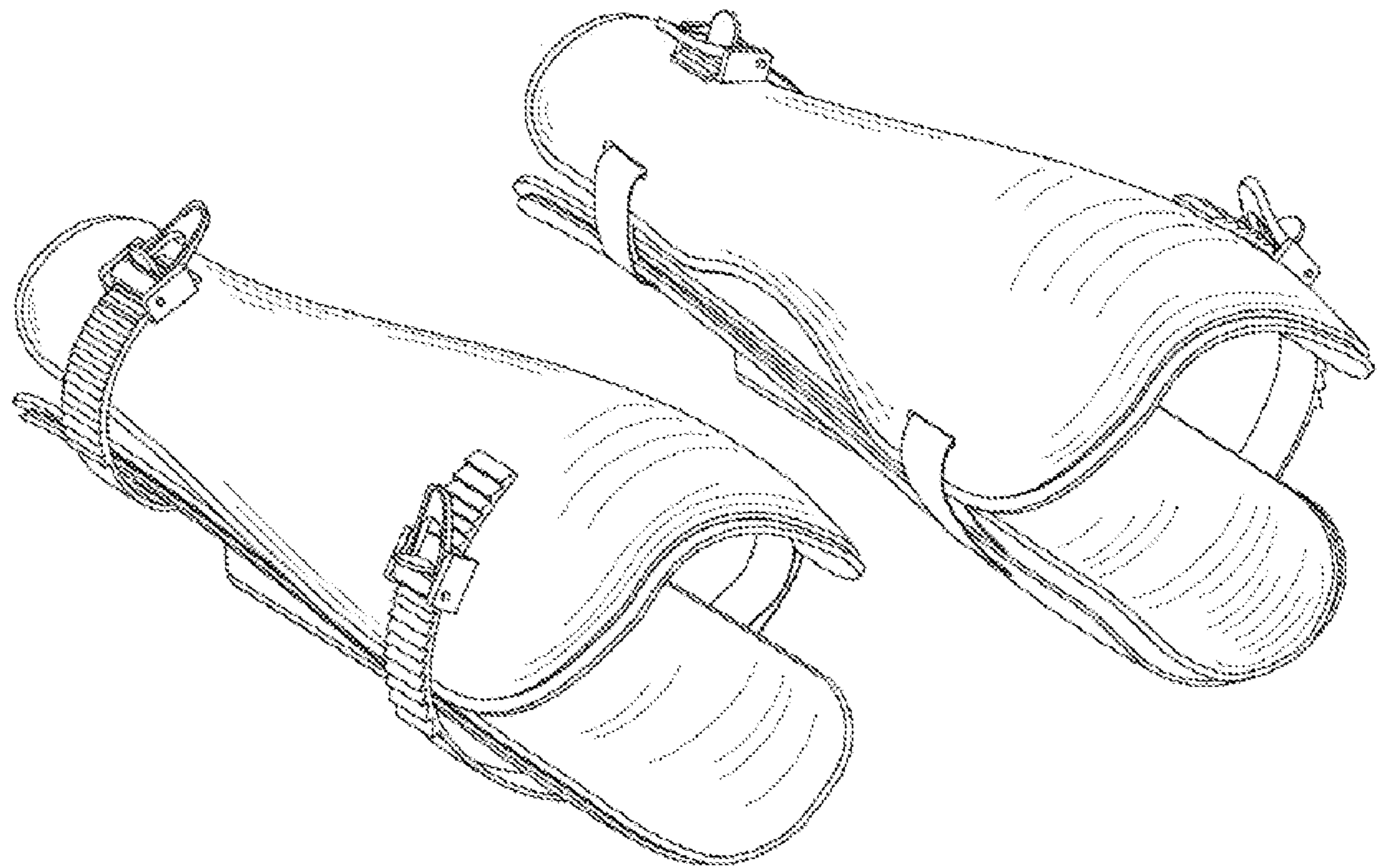


FIG. 6

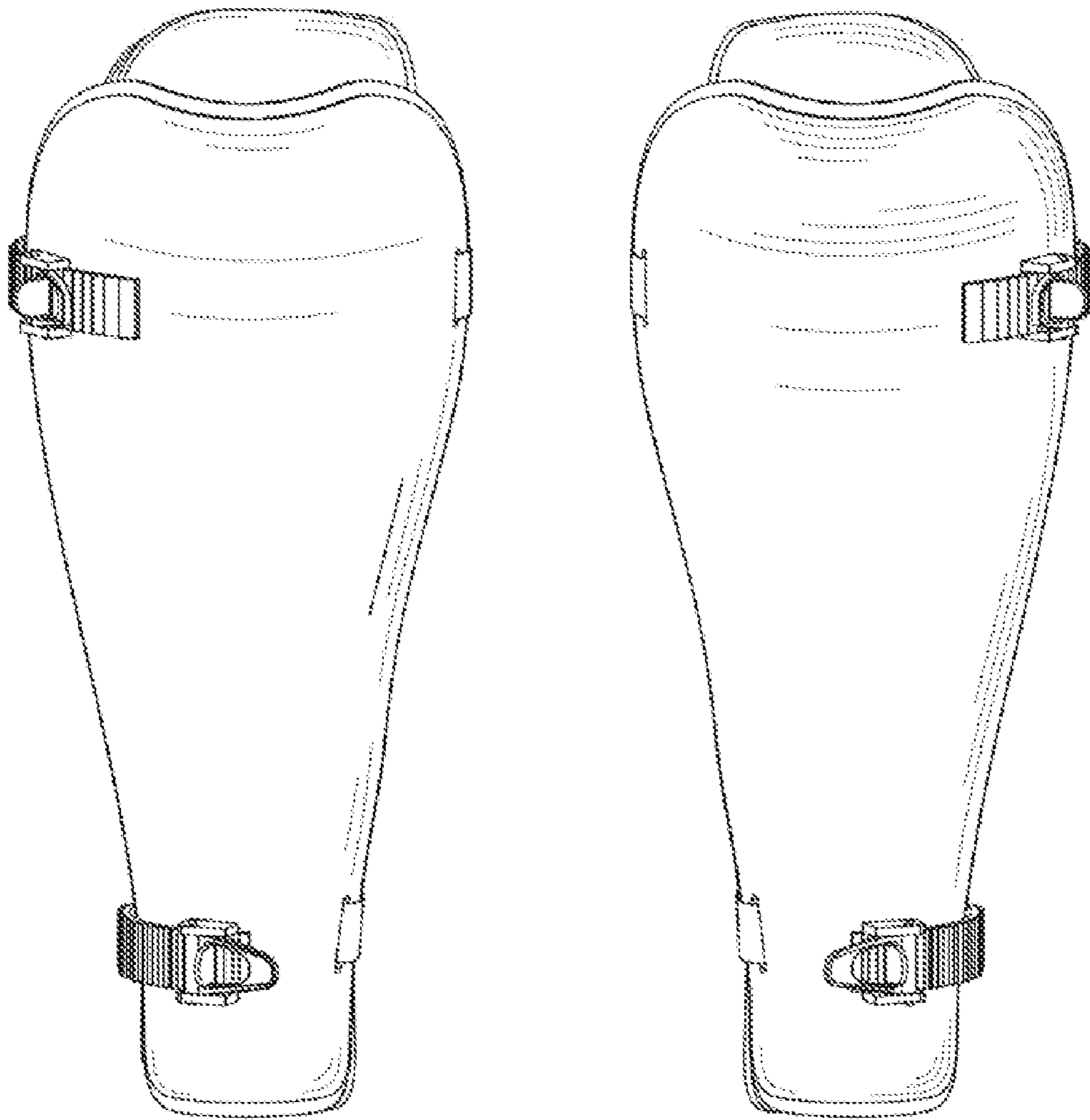


FIG. 7