



US00D614253S

(12) **United States Design Patent**  
**Hadley**

(10) **Patent No.:** **US D614,253 S**

(45) **Date of Patent:** **\*\* Apr. 20, 2010**

(54) **GOLF SWING ALIGNMENT DEVICE**

D550,319 S \* 9/2007 Peterson ..... D21/791  
D582,498 S \* 12/2008 Austin ..... D21/791  
D607,076 S \* 12/2009 Hadley ..... D21/791

(76) **Inventor:** **David B. Hadley**, 27697 38th St., Paw  
Paw, MI (US) 49079

\* cited by examiner

(\*\*) **Term:** **14 Years**

*Primary Examiner*—Mitchell I Siegel

(74) *Attorney, Agent, or Firm*—Dale J. Ream

(21) **Appl. No.:** **29/335,820**

(22) **Filed:** **Apr. 22, 2009**

(57) **CLAIM**

The ornamental design for a golf swing alignment device, as shown and described.

(51) **LOC (9) Cl.** ..... **21-02**

(52) **U.S. Cl.** ..... **D21/791**

(58) **Field of Classification Search** ..... D21/789,  
D21/791, 717, 718; 473/218, 257, 270, 278,  
473/150, 396

**DESCRIPTION**

See application file for complete search history.

FIG. 1 is a perspective view of a golf swing alignment device showing my new design;

FIG. 2 is a top view thereof;

FIG. 3 is a bottom view thereof;

FIG. 4 is a left side view thereof;

FIG. 5 is a right side view thereof;

FIG. 6 is a front view thereof; and

FIG. 7 is a back view thereof; and,

FIG. 8 is another perspective view of the golf swing alignment device.

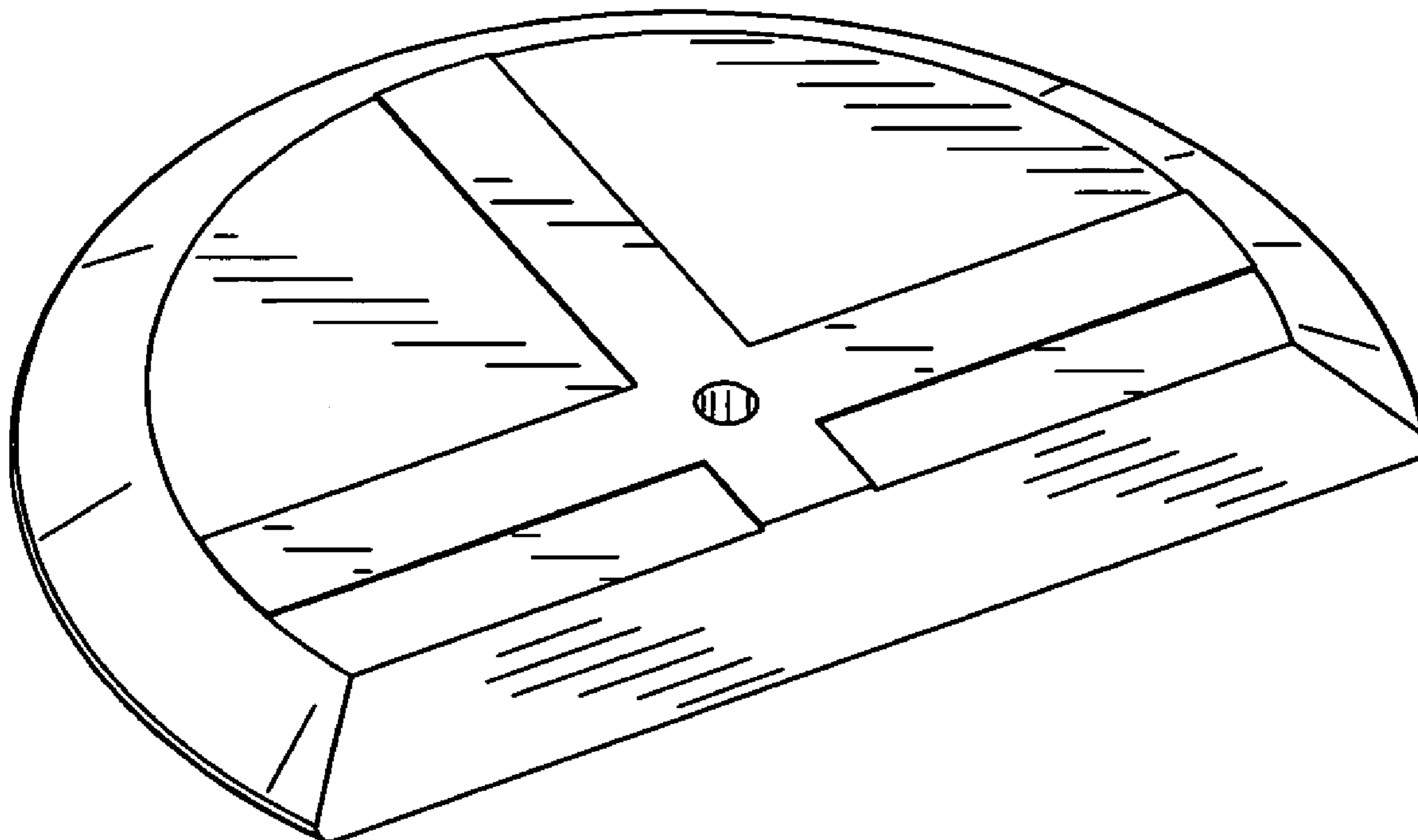
The broken line showing of a golf tee is included for the purpose of illustrating and forms no part of the claimed design.

(56) **References Cited**

U.S. PATENT DOCUMENTS

1,596,110	A	8/1926	Lynch	
3,934,882	A	1/1976	Whittaker	
D249,077	S *	8/1978	Friskel	..... D21/791
D338,940	S *	8/1993	Pellington	..... D21/792
5,240,254	A	8/1993	Adlam	
D347,457	S *	5/1994	Armstrong, III	..... D21/791
5,492,330	A	2/1996	Eldridge, Jr. et al.	
D400,631	S *	11/1998	Moore	..... D21/791
6,769,999	B1	8/2004	Chase	
D504,484	S *	4/2005	Loudon	..... D21/791
7,052,416	B2 *	5/2006	Chang	..... 473/396
D529,568	S *	10/2006	Gauer	..... D21/791

**1 Claim, 5 Drawing Sheets**



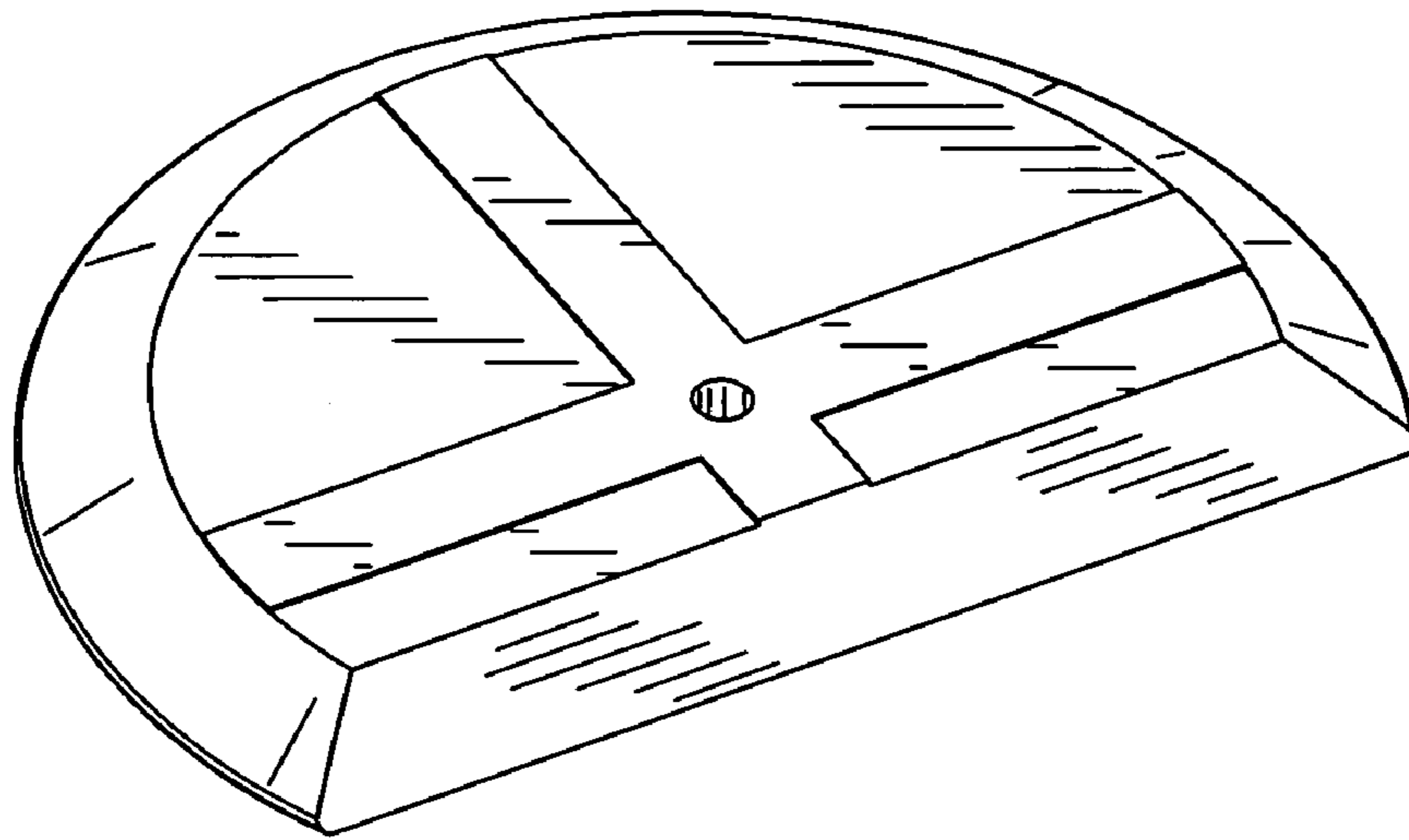


FIG. 1

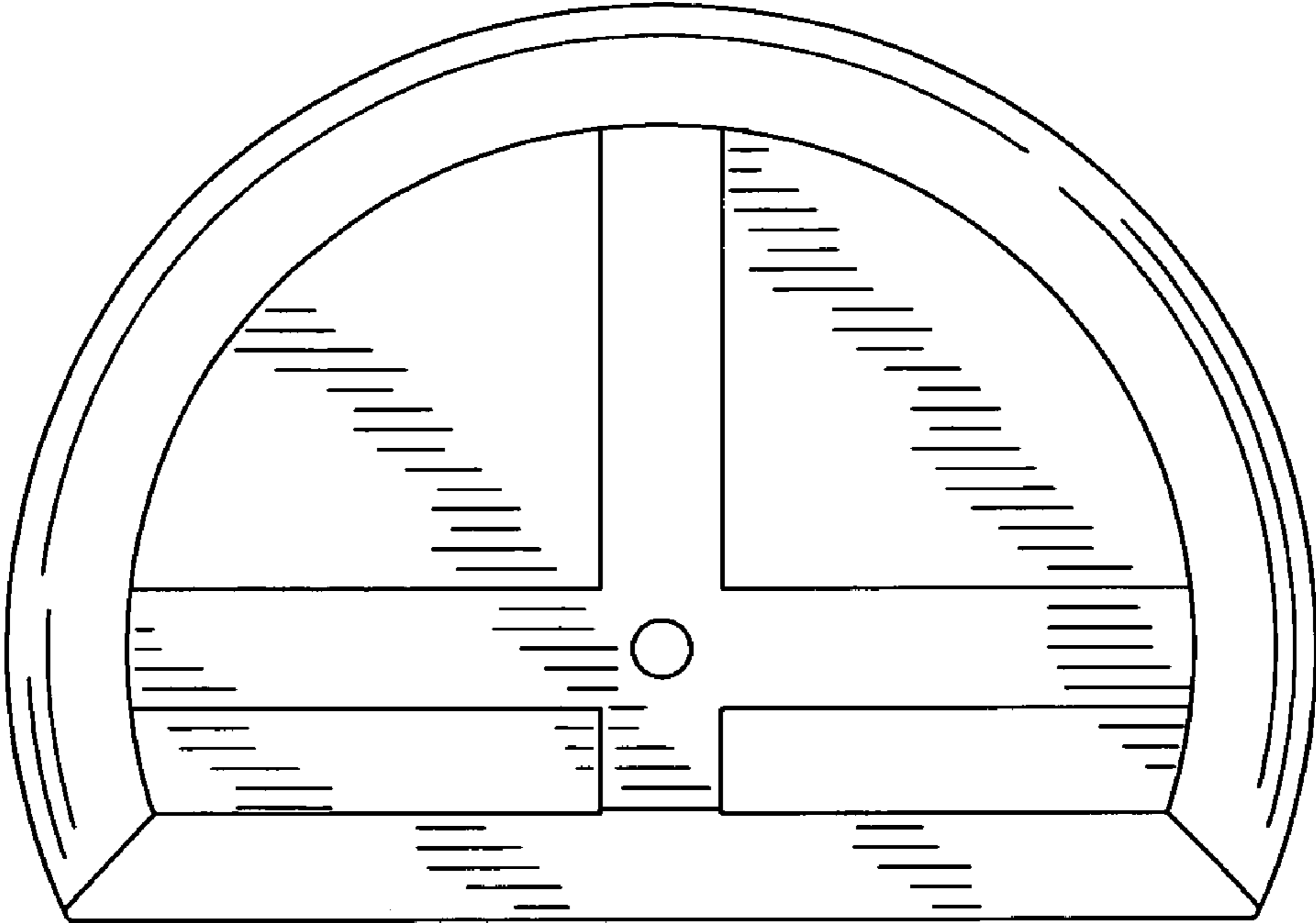


FIG. 2

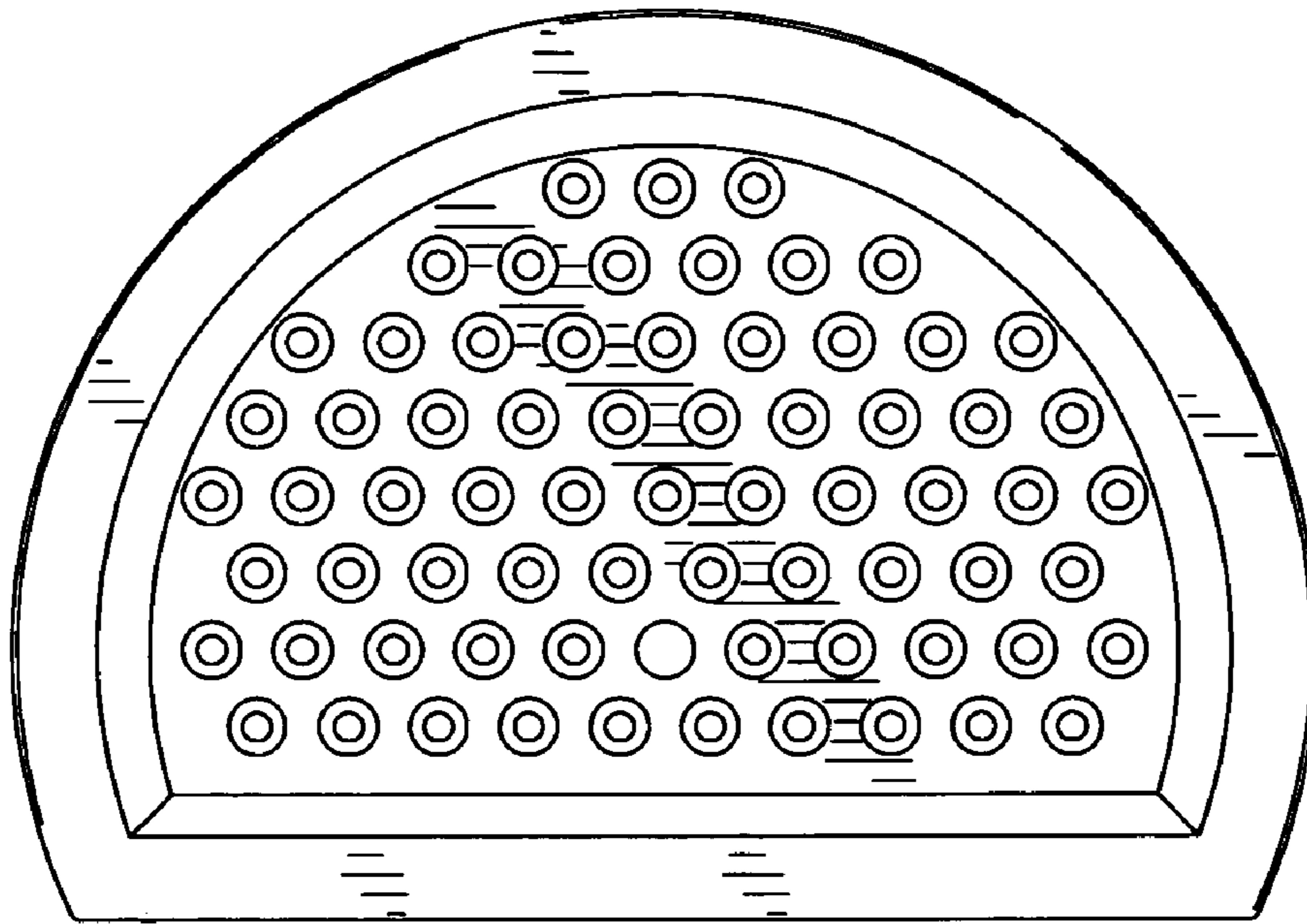


FIG. 3

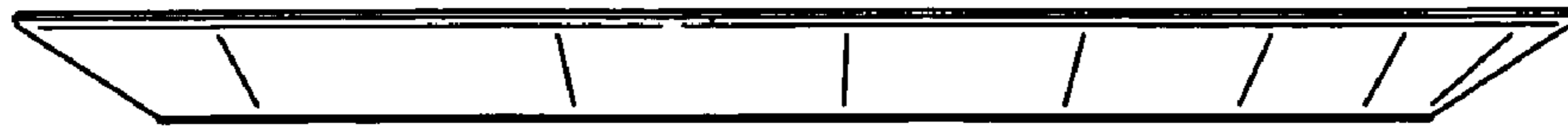


FIG. 6

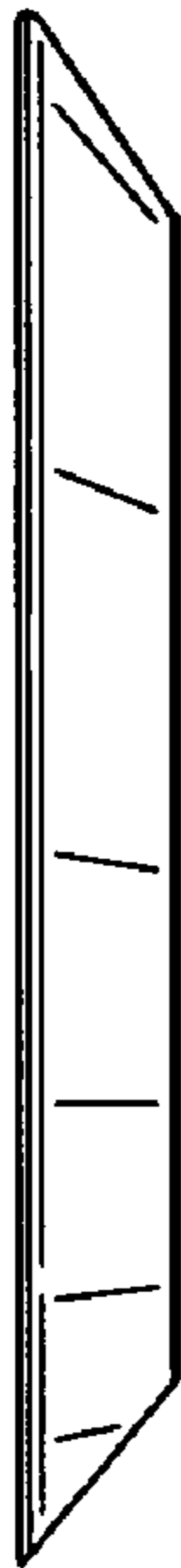


FIG. 4



FIG. 5

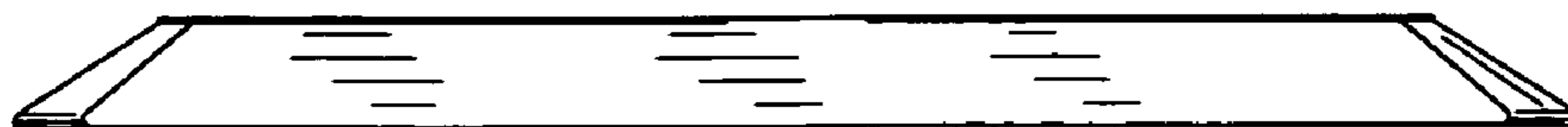


FIG. 7

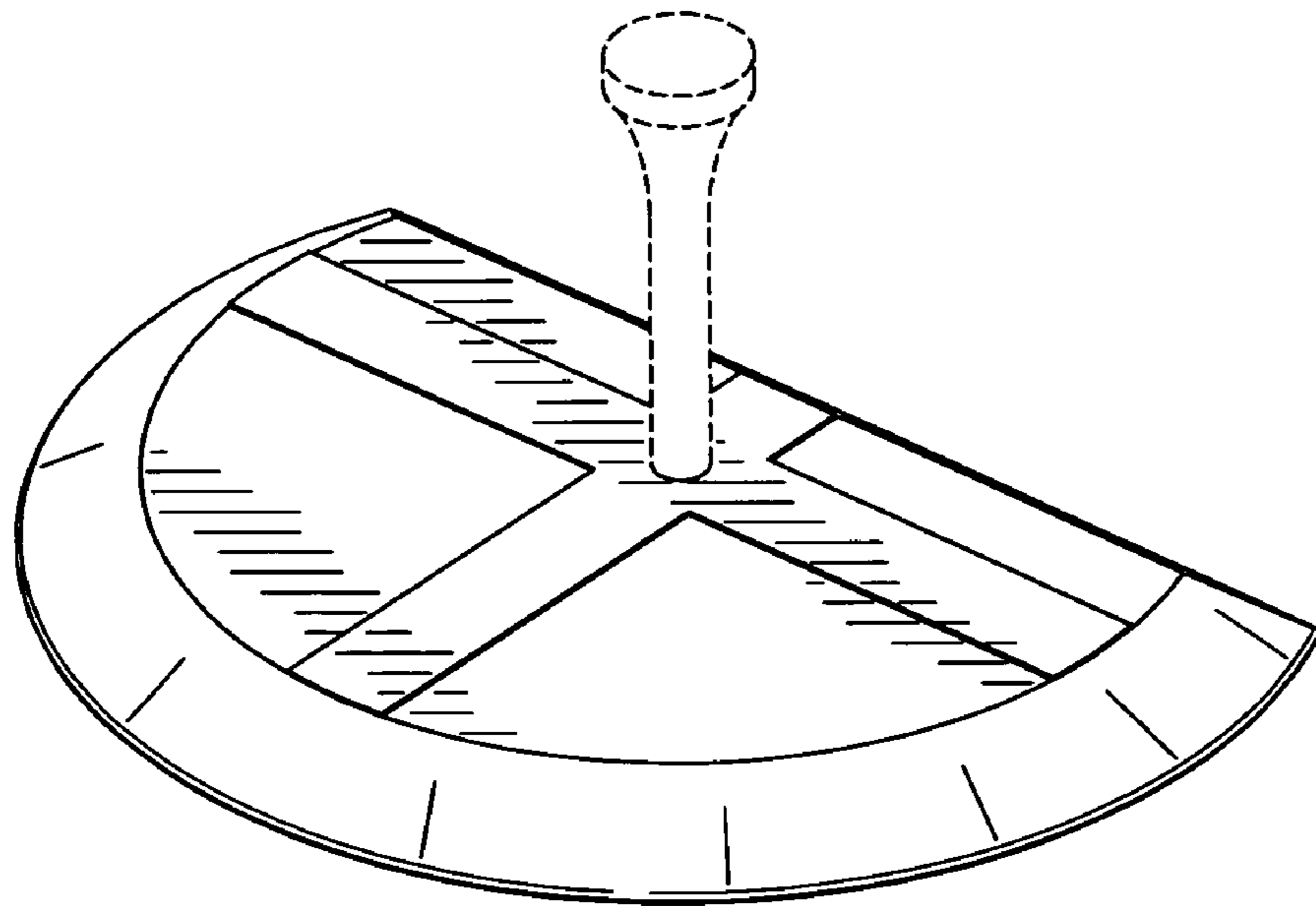


FIG. 8