



US00D614251S

(12) **United States Design Patent**
Chung

(10) **Patent No.:** **US D614,251 S**

(45) **Date of Patent:** **** Apr. 20, 2010**

(54) **ROBOTIC EYE**

(75) Inventor: **Caleb Chung**, Boise, ID (US)

(73) Assignee: **Innvo Labs Limited**, Hong Kong (HK)

(**) Term: **14 Years**

(21) Appl. No.: **29/306,677**

(22) Filed: **Apr. 14, 2008**

(51) **LOC (9) Cl.** **21-01**

(52) **U.S. Cl.** **D21/578; D15/199**

(58) **Field of Classification Search** D21/578-583,
D21/621, 622; 446/268, 360, 361, 376, 379,
446/382-384; D15/199

See application file for complete search history.

(56) **References Cited**

U.S. PATENT DOCUMENTS

D292,110 S *	9/1987	Tamakoshi	D21/578
D297,749 S *	9/1988	Rodis-Jamero	D21/578
D312,492 S *	11/1990	Branson	D21/578
D450,788 S *	11/2001	Kawasaki	D21/578
D492,359 S *	6/2004	So	D19/90
D522,071 S *	5/2006	Strother et al.	D21/578
D549,756 S *	8/2007	Park et al.	D15/199
D559,288 S *	1/2008	Matsuda	D15/199
D592,257 S *	5/2009	Tang	D21/578

D593,165 S *	5/2009	Hetrick et al.	D21/578
D596,815 S *	7/2009	Baek	D32/21

* cited by examiner

Primary Examiner—Janice E Seeger

Assistant Examiner—Zenia I Bennett

(74) *Attorney, Agent, or Firm*—Chase Law Firm, L.C.

(57) **CLAIM**

I claim the ornamental design for a robotic eye, as shown and described.

DESCRIPTION

FIG. 1 is a top rear perspective view of a robotic eye showing the new design;

FIG. 2 is a top front perspective view thereof;

FIG. 3 is a left side elevational view thereof;

FIG. 4 is a right side elevational view thereof;

FIG. 5 is a front end elevational view thereof;

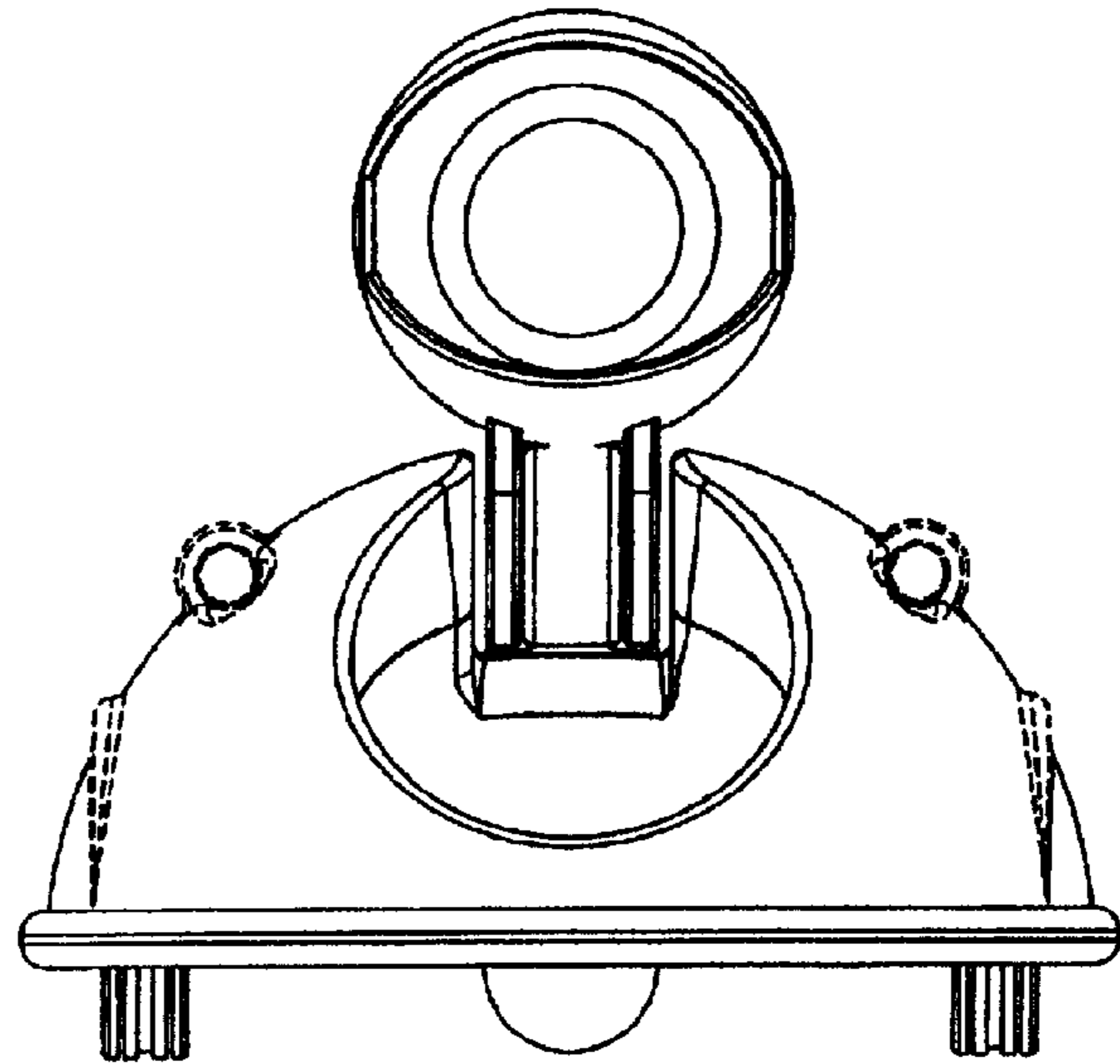
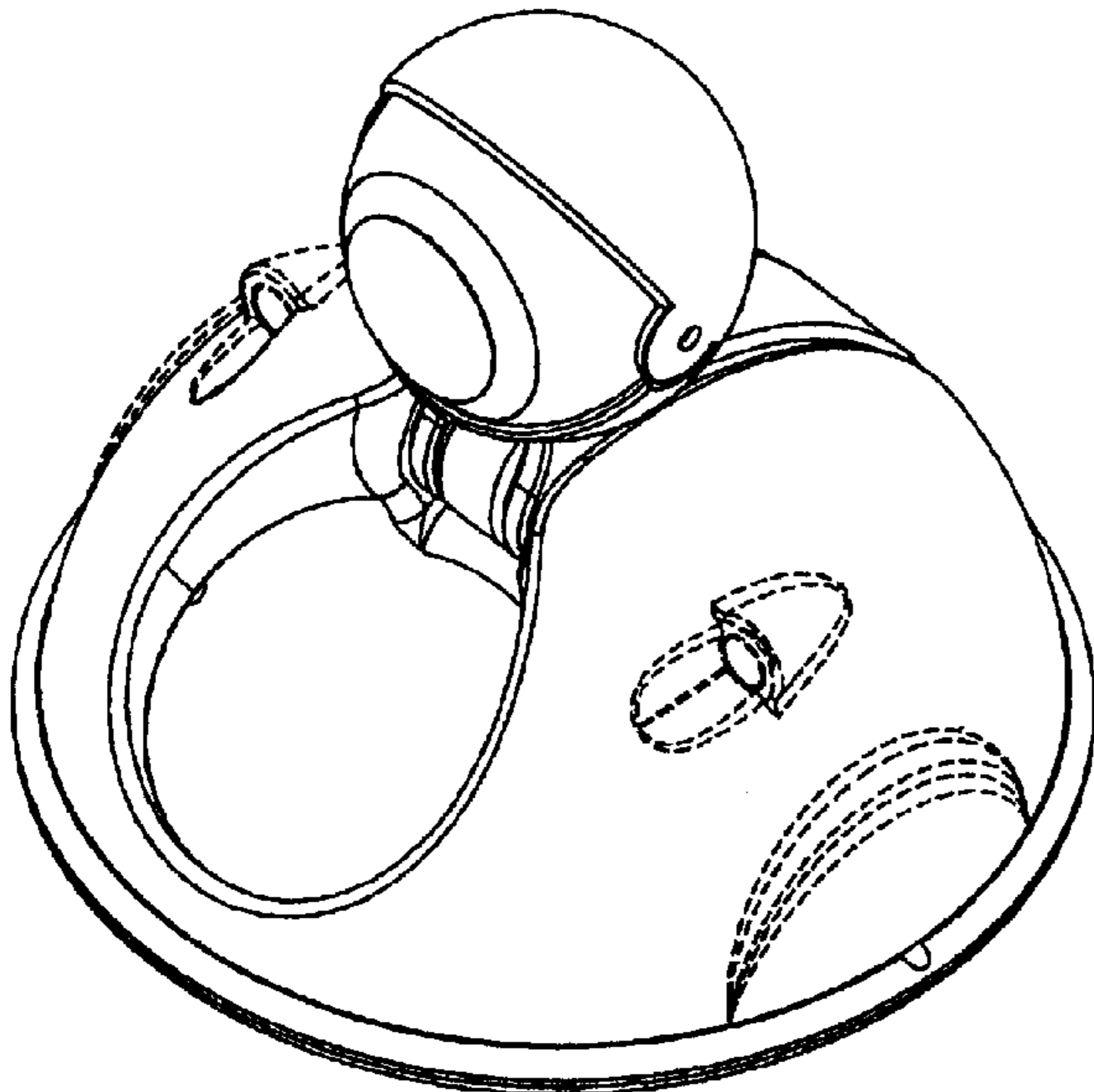
FIG. 6 is a rear end elevational view thereof;

FIG. 7 is a top plan view thereof; and,

FIG. 8 is a bottom plan view thereof.

The broken lines in the drawing are for illustrative purposes only and form no part of the claimed design.

1 Claim, 4 Drawing Sheets



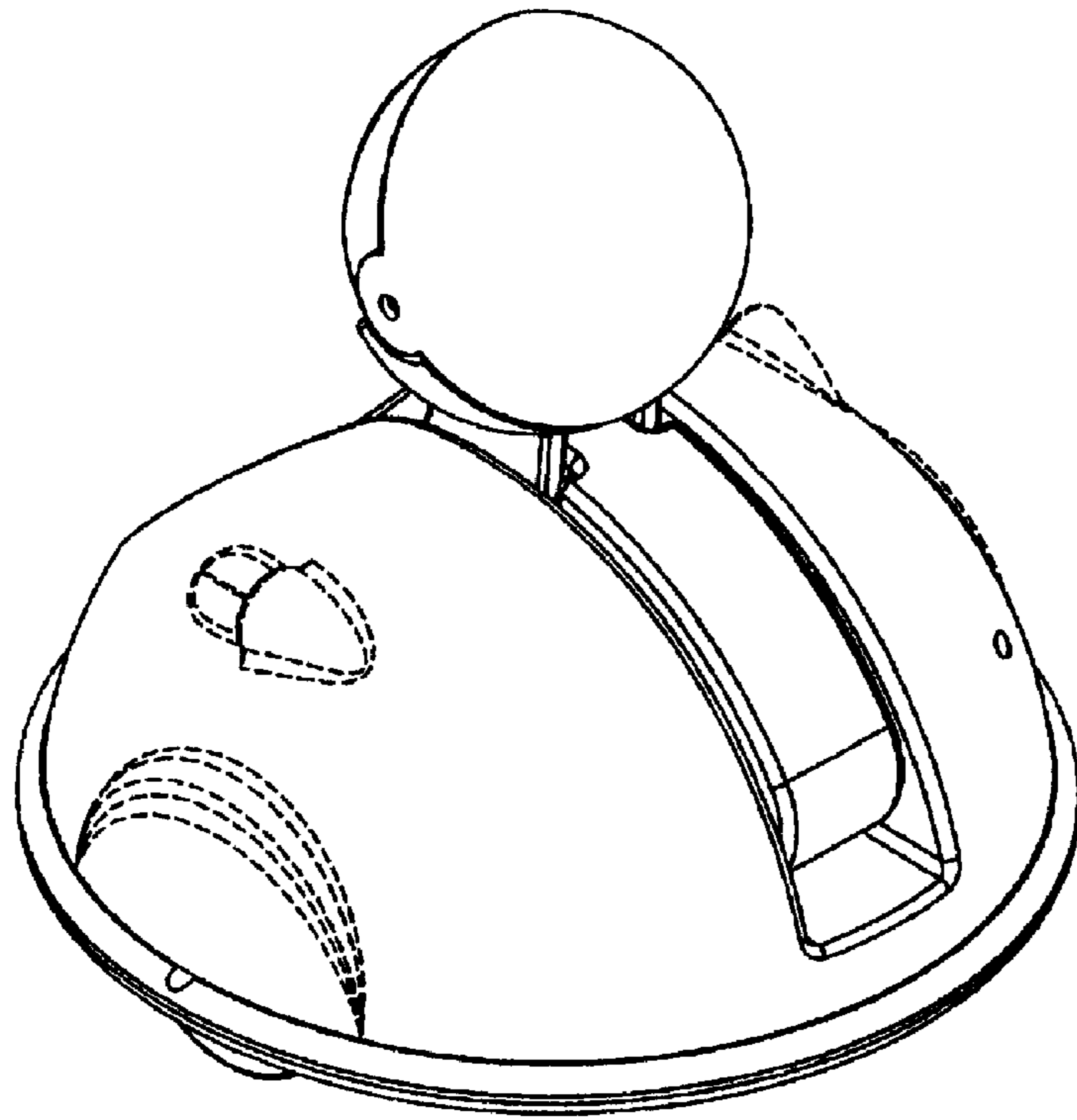


FIG. 1

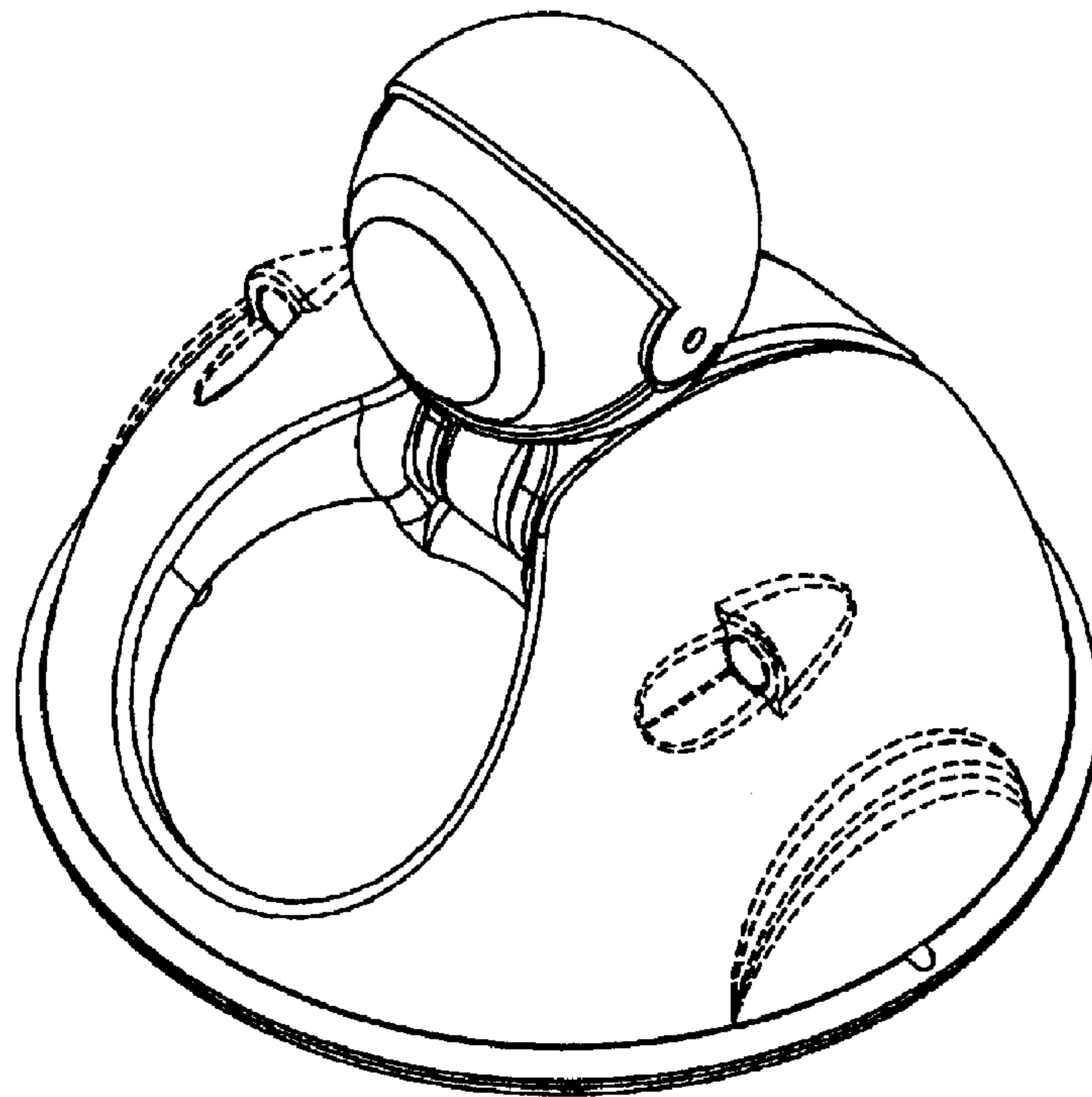


FIG. 2

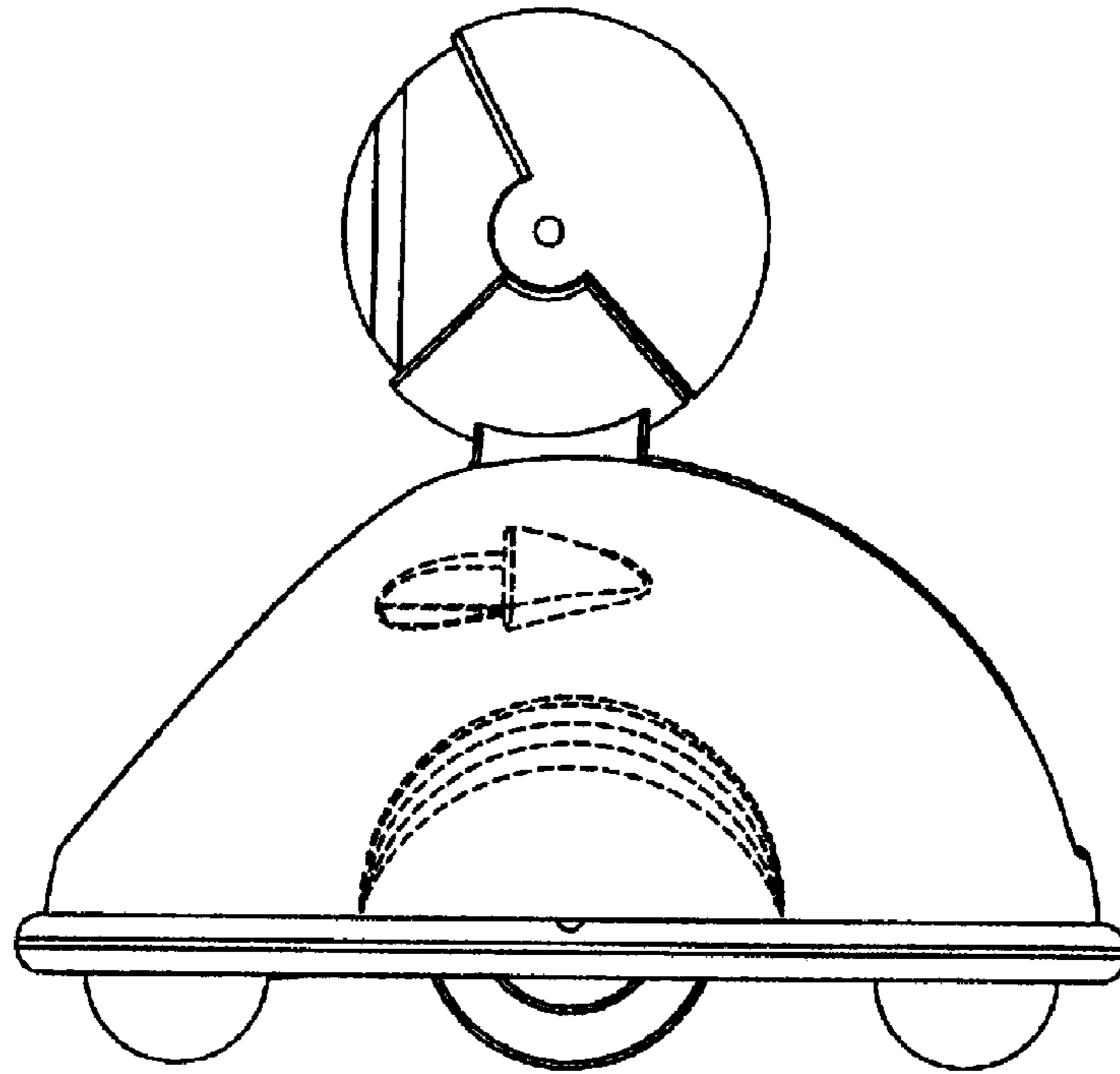


FIG. 3

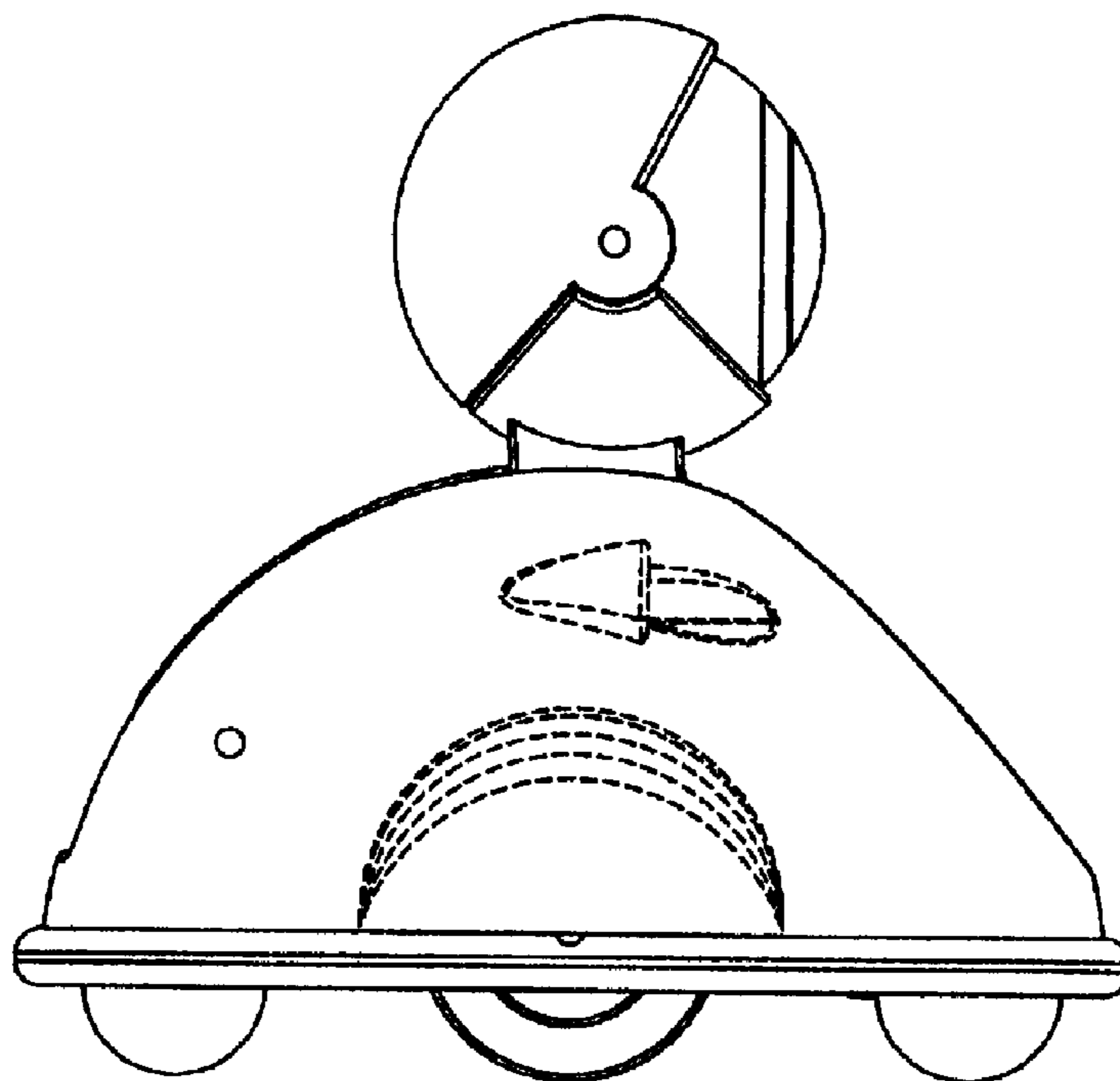


FIG. 4

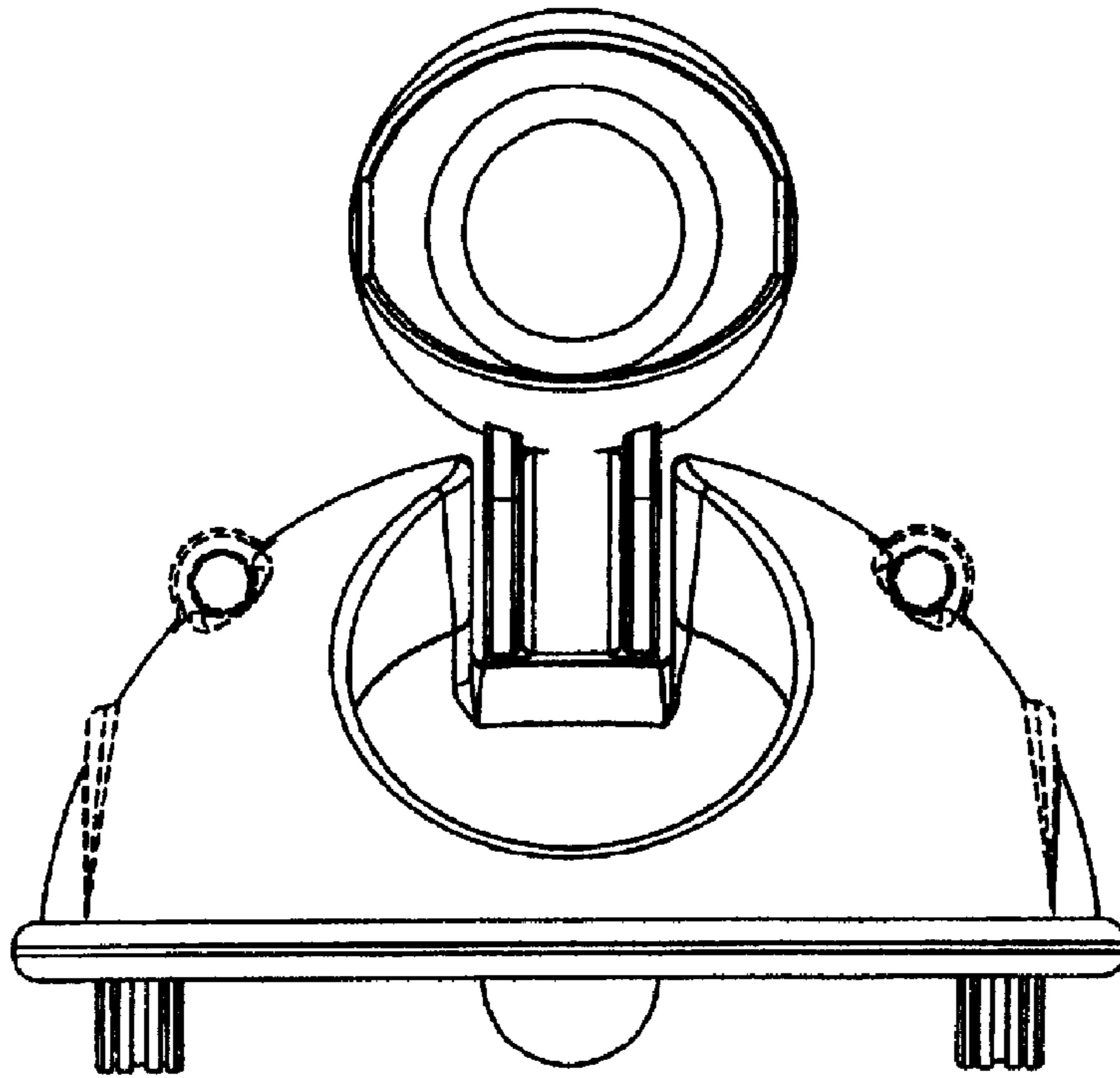


FIG. 5

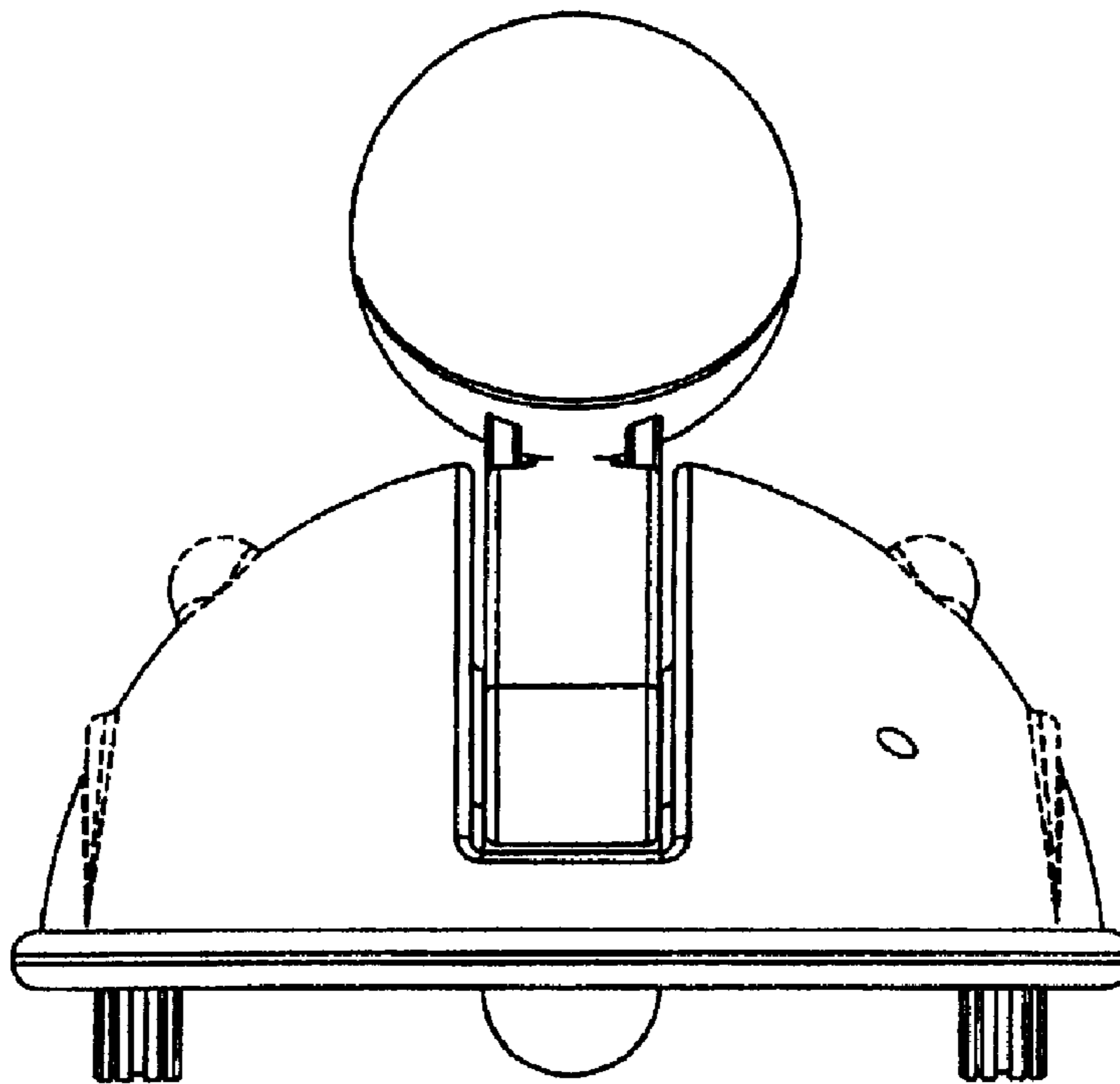


FIG. 6

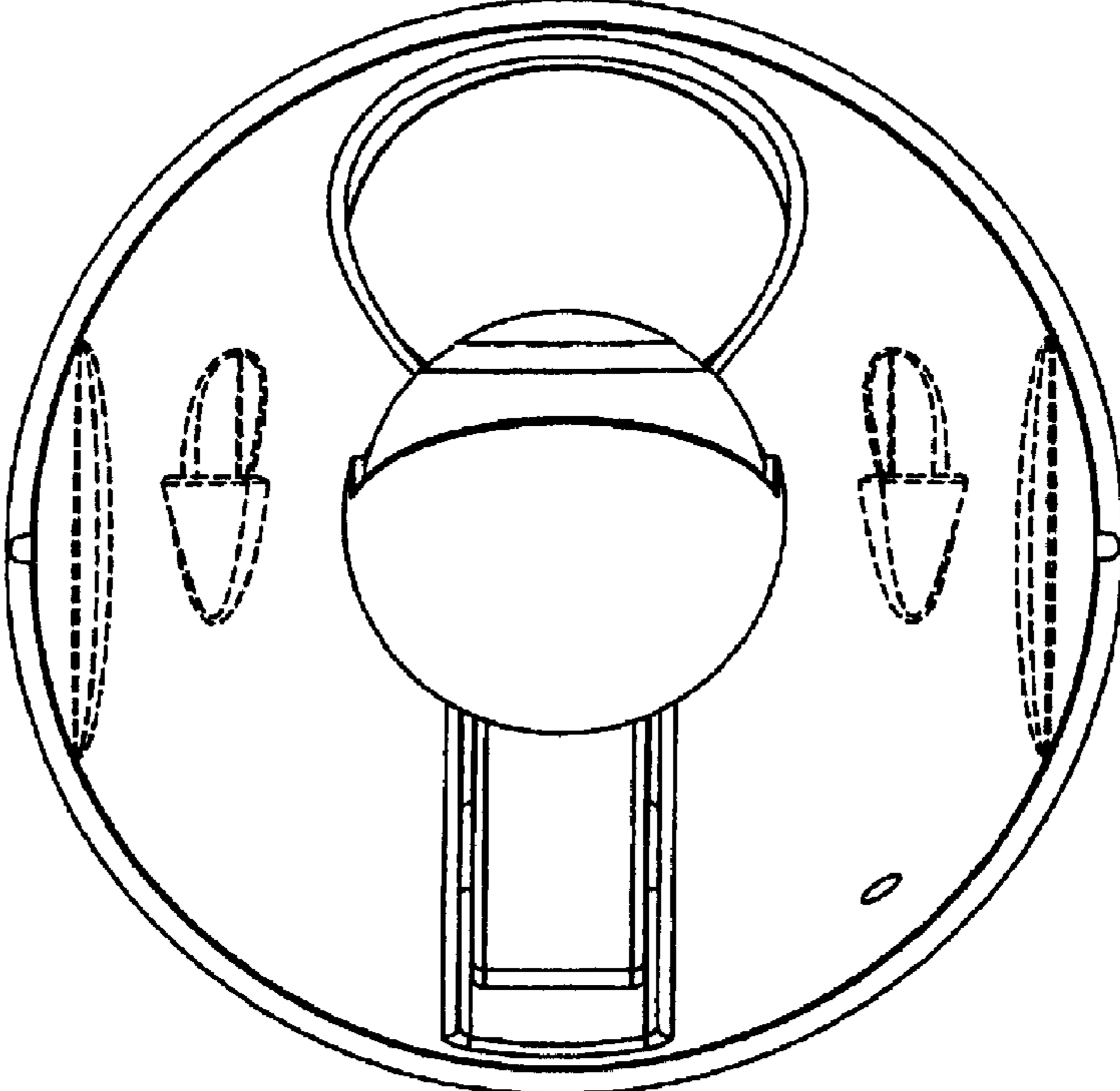


FIG. 7

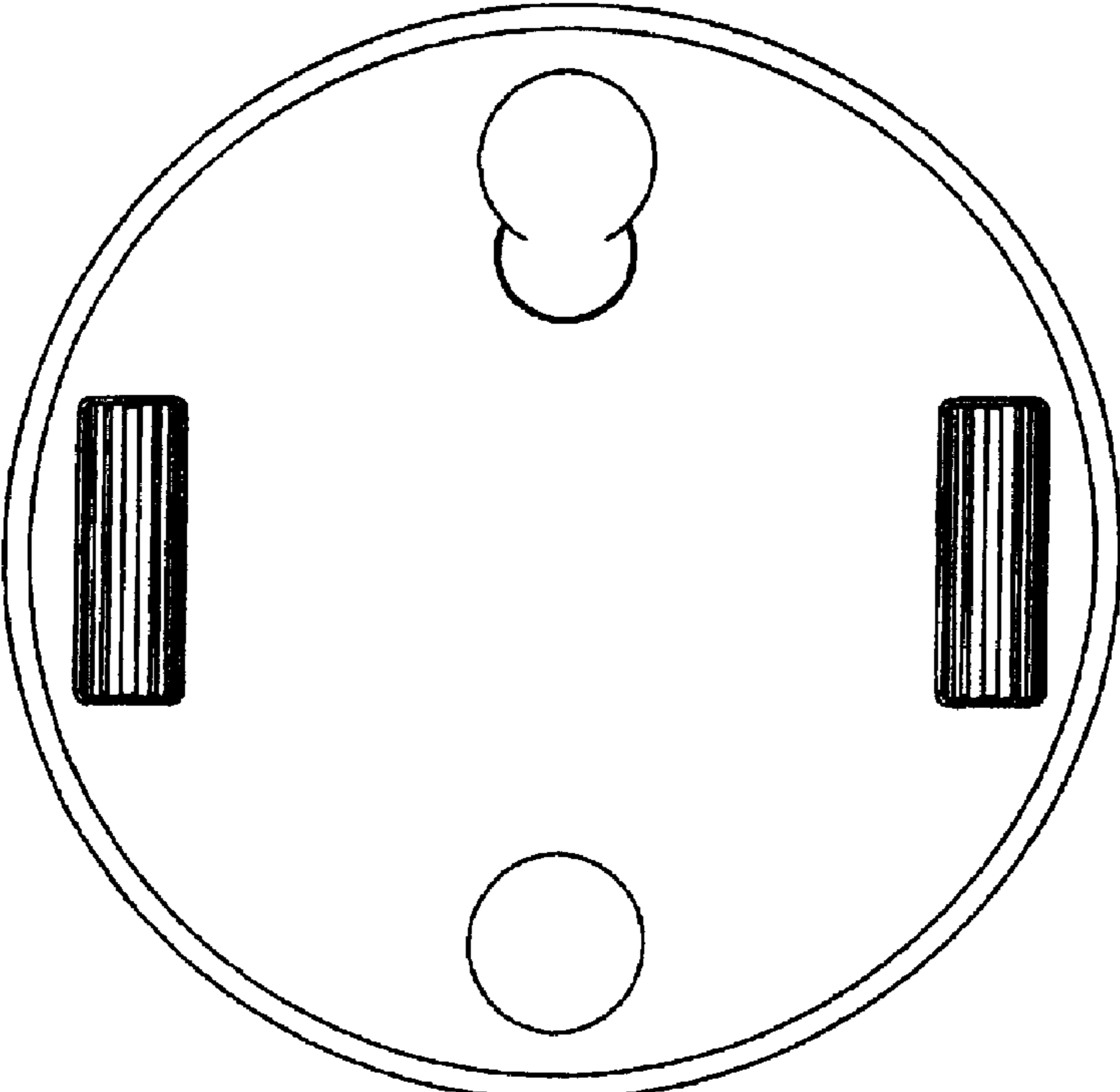


FIG. 8