



US00D614249S

(12) **United States Design Patent**  
**Pedersen**

(10) **Patent No.:** **US D614,249 S**  
(45) **Date of Patent:** **\*\* Apr. 20, 2010**

(54) **CUBICAL BUILDING ELEMENT**

(75) Inventor: **Ditte Bruun Pedersen**, Billund (DK)

(73) Assignee: **Lego A/S**, Billund (DK)

(\*\*) Term: **14 Years**

(21) Appl. No.: **29/346,299**

(22) Filed: **Oct. 29, 2009**

**Related U.S. Application Data**

(62) Division of application No. 29/313,577, filed on Jan. 23, 2009.

(30) **Foreign Application Priority Data**

Nov. 10, 2008 (EM) ..... 001036362

(51) **LOC (9) Cl.** ..... **21-01**

(52) **U.S. Cl.** ..... **D21/499**

(58) **Field of Classification Search** ..... D21/372,  
D21/373, 386, 484, 485, 486, 489, 491, 494,  
D21/499, 500, 503, 504, 516; D25/113,  
D25/114, 115, 116, 118; 446/69, 85, 102-128;  
434/208, 258, 259, 319, 403; 273/153, 156,  
273/160; D9/520

See application file for complete search history.

(56) **References Cited**

**U.S. PATENT DOCUMENTS**

3,374,917 A \* 3/1968 Troy ..... 446/125  
3,389,493 A \* 6/1968 Zysset ..... 446/124  
D224,287 S \* 7/1972 Coster ..... D9/520  
D255,473 S \* 6/1980 Chase et al. .... D21/499  
D272,167 S \* 1/1984 Chatani et al. .... D21/499  
D283,635 S \* 4/1986 Kato et al. .... D21/499  
D286,417 S \* 10/1986 Takahashi ..... D21/500

4,678,192 A \* 7/1987 Campbell ..... 446/124  
D296,342 S \* 6/1988 Knudsen ..... D21/499  
5,000,713 A \* 3/1991 Cheng ..... 446/120  
D343,427 S \* 1/1994 Sher ..... D21/499  
D351,425 S \* 10/1994 Seiler ..... D21/337  
D359,315 S \* 6/1995 Tacey ..... D21/499  
D359,523 S \* 6/1995 Yeung ..... D21/501  
5,458,522 A \* 10/1995 Brooks, III ..... 446/85  
D368,939 S \* 4/1996 Frederiksen ..... D21/500  
5,620,325 A \* 4/1997 Glick ..... 434/258  
D399,542 S \* 10/1998 Deutsch ..... D21/484  
5,833,465 A \* 11/1998 Jarzewiak ..... 446/125  
D413,636 S \* 9/1999 Laserna Fernandez ..... D21/499  
D422,036 S \* 3/2000 Laserna Fernandez ..... D21/499  
D433,465 S \* 11/2000 Dunn et al. .... D21/516  
D437,366 S \* 2/2001 Stemmler ..... D21/499  
6,366,758 B1 \* 4/2002 Dunn et al. .... 434/319  
D464,682 S \* 10/2002 Lin ..... D21/499  
D480,437 S \* 10/2003 Stoneberg ..... D21/499  
6,679,780 B1 \* 1/2004 Shih ..... 446/125  
D509,858 S \* 9/2005 May et al. .... D21/499  
D512,108 S \* 11/2005 Lin ..... D21/499  
7,322,873 B2 \* 1/2008 Rosen et al. .... 446/91

\* cited by examiner

*Primary Examiner*—Philip S Hyder

*Assistant Examiner*—Cynthia M Chin

(74) *Attorney, Agent, or Firm*—Day Pitney LLP

(57) **CLAIM**

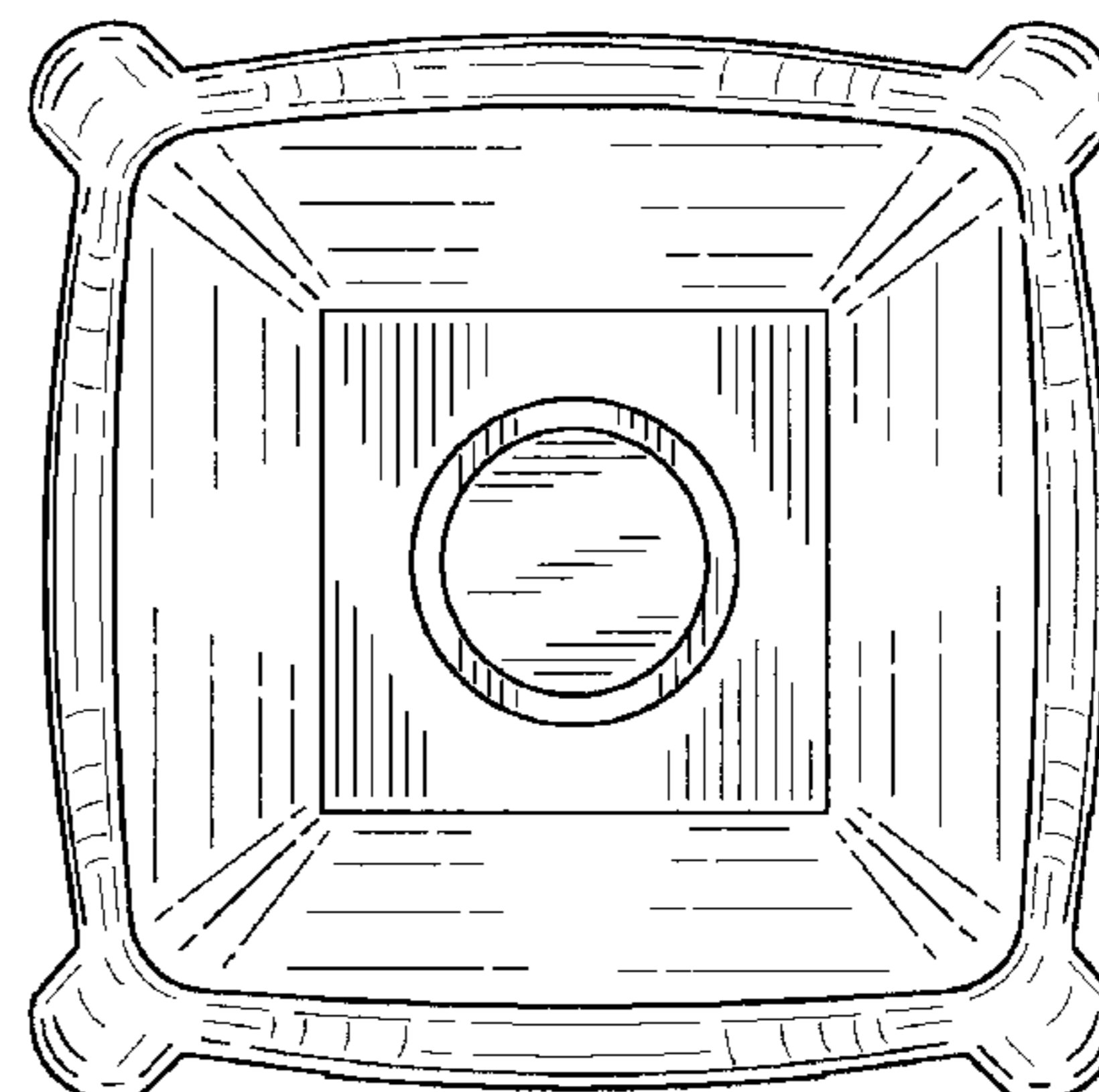
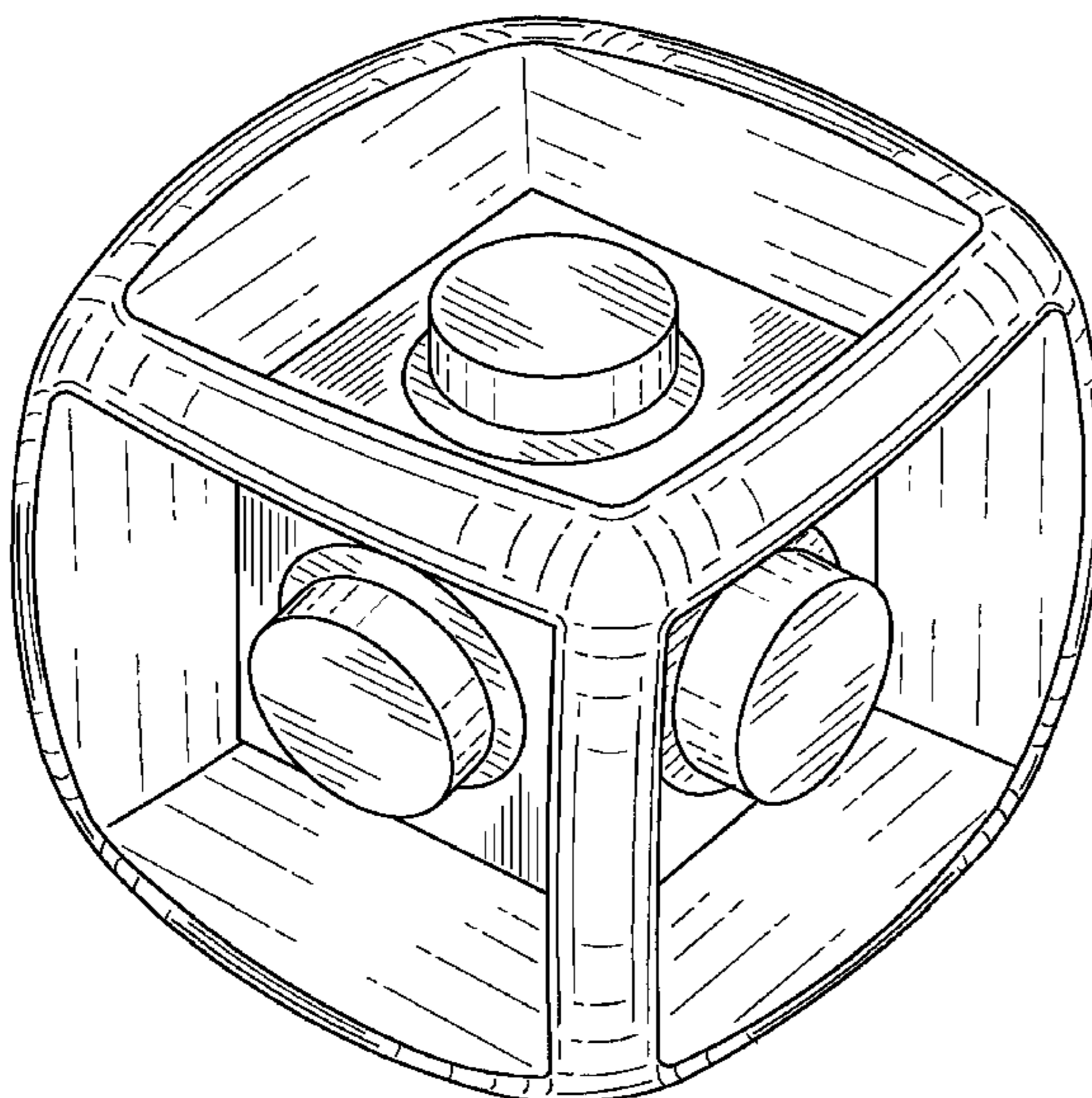
The ornamental design for a cubical building element, as shown and described.

**DESCRIPTION**

FIG. 1 is a perspective view of my cubical building element design; and,

FIG. 2 is a plan view of a face of the cubical building element, the remaining five faces being identical.

**1 Claim, 2 Drawing Sheets**



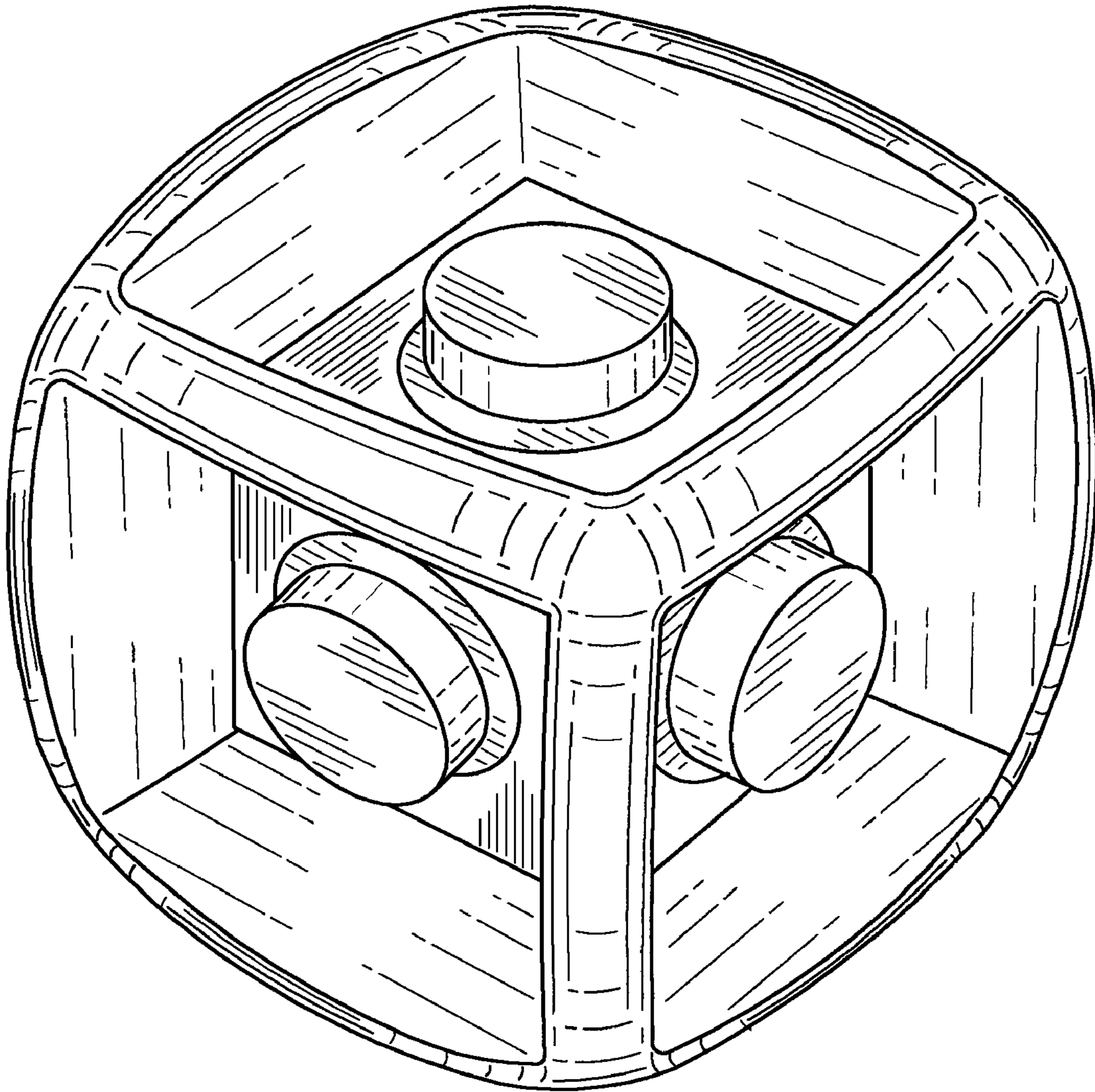


FIG. 1

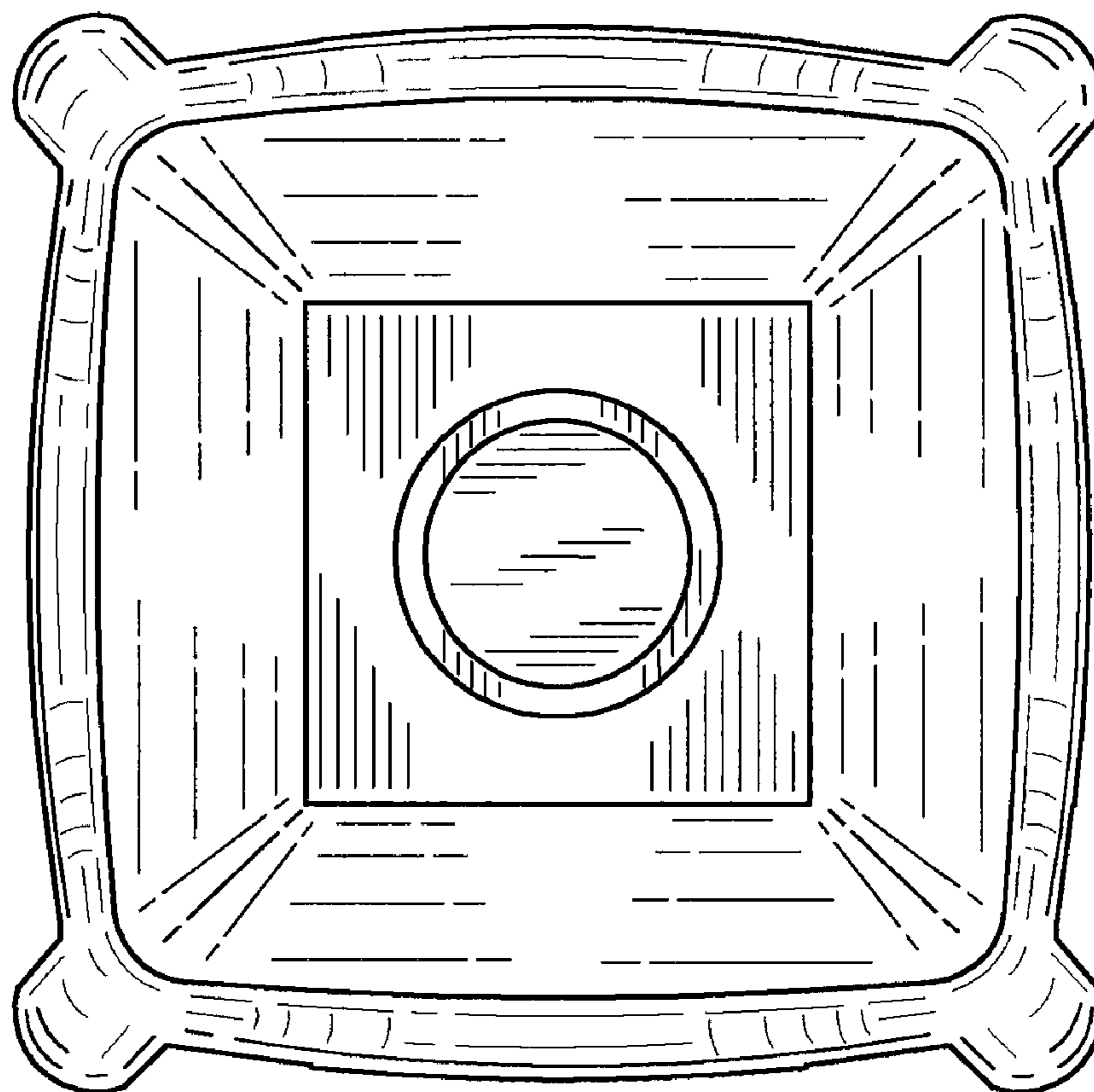


FIG. 2