



US00D614248S

(12) **United States Design Patent**  
**Pedersen**

(10) **Patent No.:** **US D614,248 S**  
(45) **Date of Patent:** **\*\* Apr. 20, 2010**

(54) **CUBICAL BUILDING ELEMENT**

(75) Inventor: **Ditte Bruhn Pedersen**, Billund (DK)

(73) Assignee: **LEGO A/S**, Billund (DK)

(\*\*) Term: **14 Years**

(21) Appl. No.: **29/346,296**

(22) Filed: **Oct. 29, 2009**

**Related U.S. Application Data**

(62) Division of application No. 29/313,577, filed on Jan. 23, 2009.

(30) **Foreign Application Priority Data**

Nov. 10, 2008 (EM) ..... 001036362

(51) **LOC (9) Cl.** ..... **21-01**

(52) **U.S. Cl.** ..... **D21/499**

(58) **Field of Classification Search** ..... D21/372,  
D21/373, 386, 484, 485, 486, 489, 491, 494,  
D21/499, 500, 503, 504, 516; D25/113,  
D25/114, 115, 116, 118; 446/69, 85, 102-128;  
434/208, 258, 259, 319, 403; 273/153, 156,  
273/160; D9/520

See application file for complete search history.

(56) **References Cited**

**U.S. PATENT DOCUMENTS**

- 3,374,917 A \* 3/1968 Troy ..... 446/125
- 3,389,493 A \* 6/1968 Zysset ..... 446/124
- D224,287 S \* 7/1972 Coster ..... D9/520
- D255,473 S \* 6/1980 Chase et al. .... D21/499
- D272,167 S \* 1/1984 Chatani et al. .... D21/499
- D283,635 S \* 4/1986 Kato et al. .... D21/499
- D286,417 S \* 10/1986 Takahashi ..... D21/500
- 4,678,192 A \* 7/1987 Campbell ..... 446/124
- D296,342 S \* 6/1988 Knudsen ..... D21/499
- 5,000,713 A \* 3/1991 Cheng ..... 446/120
- D343,427 S \* 1/1994 Sher ..... D21/499
- D351,425 S \* 10/1994 Seiler ..... D21/337
- D359,315 S \* 6/1995 Tacey ..... D21/499

- D359,523 S \* 6/1995 Yeung ..... D21/501
- 5,458,522 A \* 10/1995 Brooks, III ..... 446/85
- D368,939 S \* 4/1996 Frederiksen ..... D21/500
- 5,620,325 A \* 4/1997 Glick ..... 434/258
- D399,542 S \* 10/1998 Deutsch ..... D21/484
- 5,833,465 A \* 11/1998 Jarzewiak ..... 446/125
- D413,636 S \* 9/1999 Laserna Fernandez ..... D21/499
- D422,036 S \* 3/2000 Laserna Fernandez ..... D21/499
- D433,465 S \* 11/2000 Dunn et al. .... D21/516
- D437,366 S \* 2/2001 Stemmler ..... D21/499
- 6,366,758 B1 \* 4/2002 Dunn et al. .... 434/319
- D464,682 S \* 10/2002 Lin ..... D21/499
- D480,437 S \* 10/2003 Stoneberg ..... D21/499
- 6,679,780 B1 \* 1/2004 Shih ..... 446/125

(Continued)

*Primary Examiner*—Philip S Hyder

*Assistant Examiner*—Cynthia M Chin

(74) *Attorney, Agent, or Firm*—Day Pitney LLP

(57) **CLAIM**

The ornamental design for a cubical building element, as shown and described.

**DESCRIPTION**

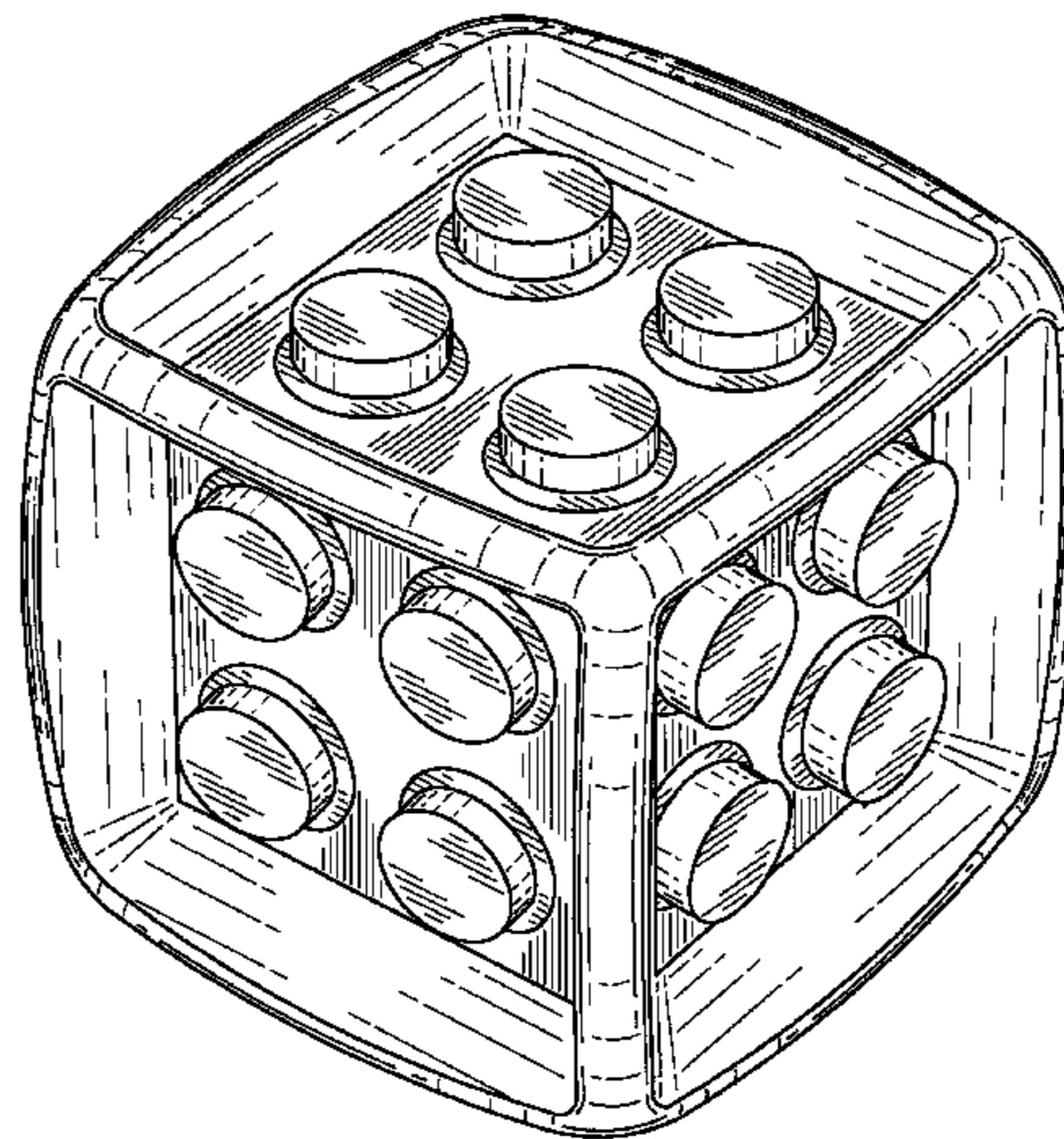
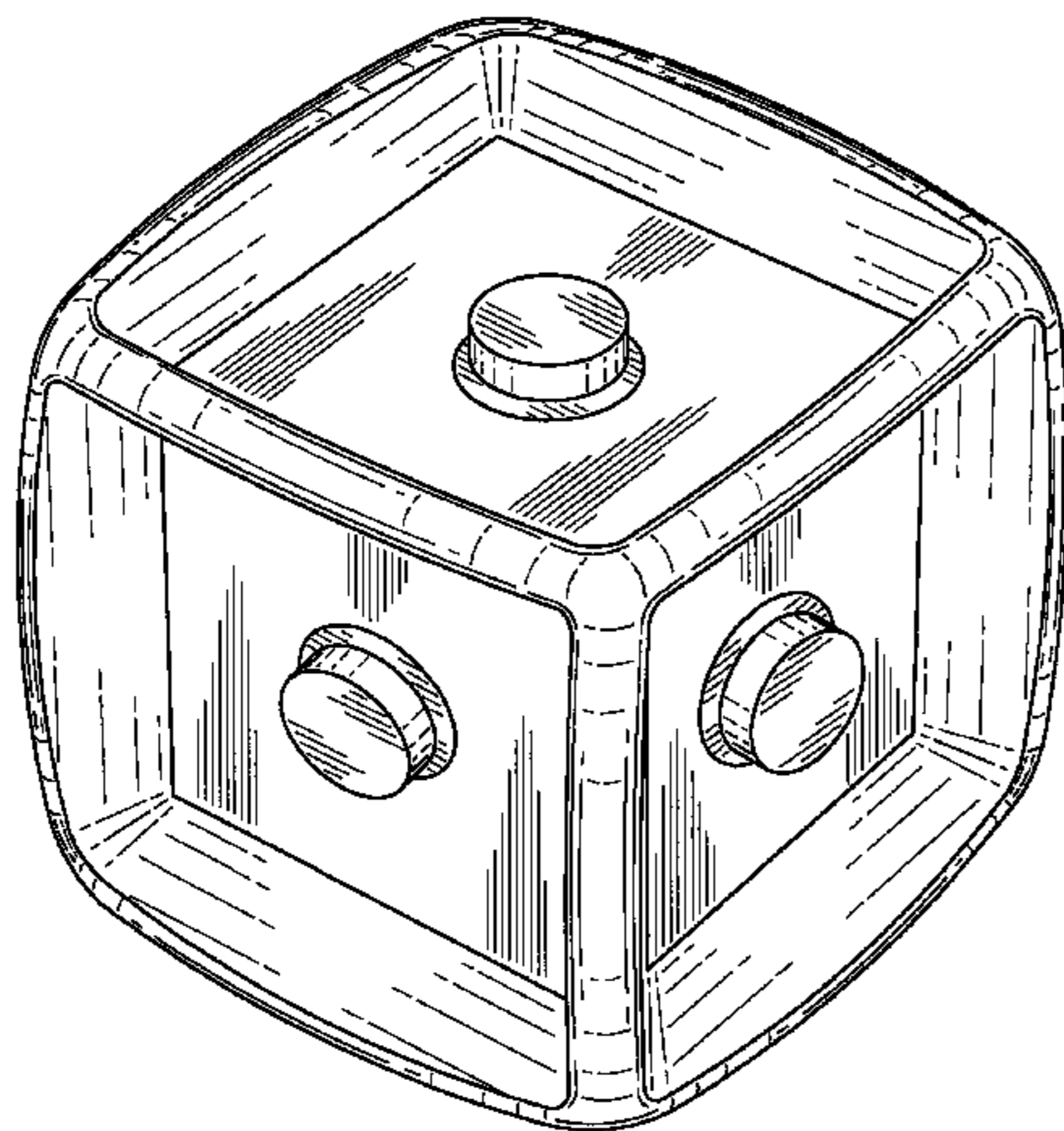
FIG. 1 is a perspective view of my cubical building element design;

FIG. 2 is a plan view of a face of the cubical building element of FIG. 1, the remaining five faces being identical;

FIG. 3 is a perspective view of an alternate embodiment of my cubical building element design; and,

FIG. 4 a plan view of a face of the cubical building element of FIG. 3, the remaining five faces being identical.

**1 Claim, 4 Drawing Sheets**



# US D614,248 S

Page 2

---

U.S. PATENT DOCUMENTS	7,322,873 B2 *	1/2008	Rosen et al. ....	446/91
D509,858 S *	9/2005	May et al. ....	D21/499	
D512,108 S *	11/2005	Lin .....	D21/499	* cited by examiner

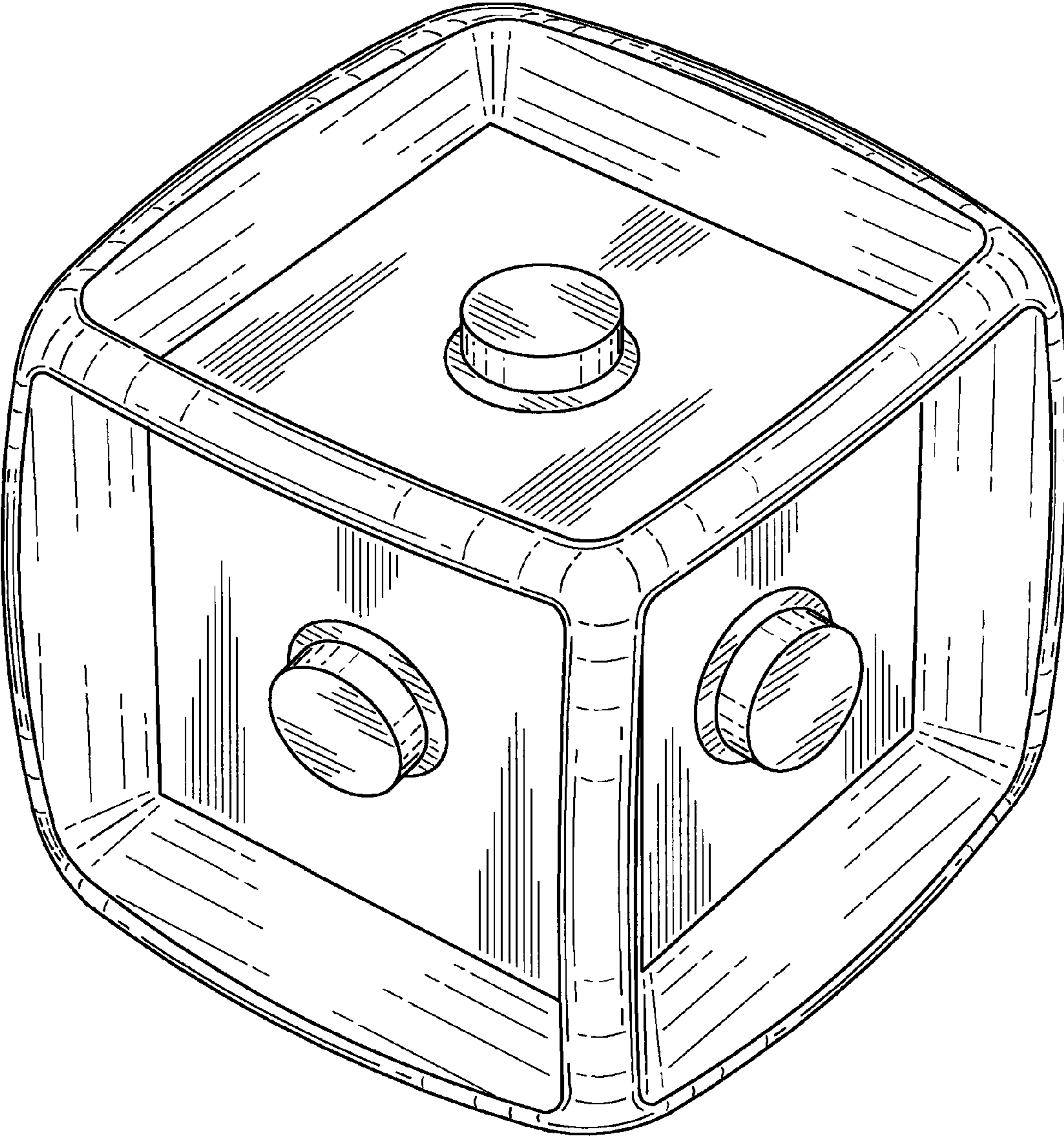


FIG. 1

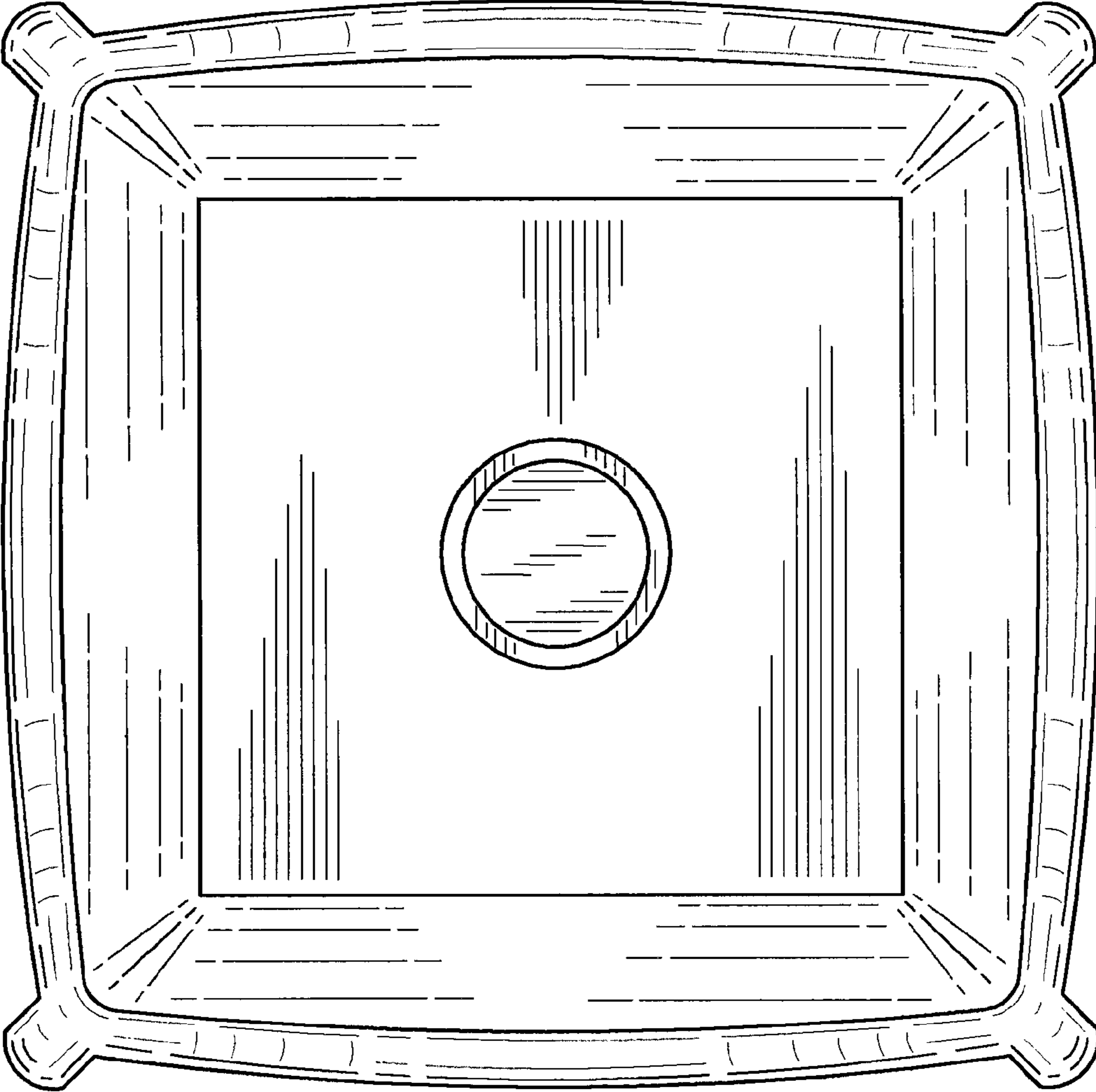


FIG. 2

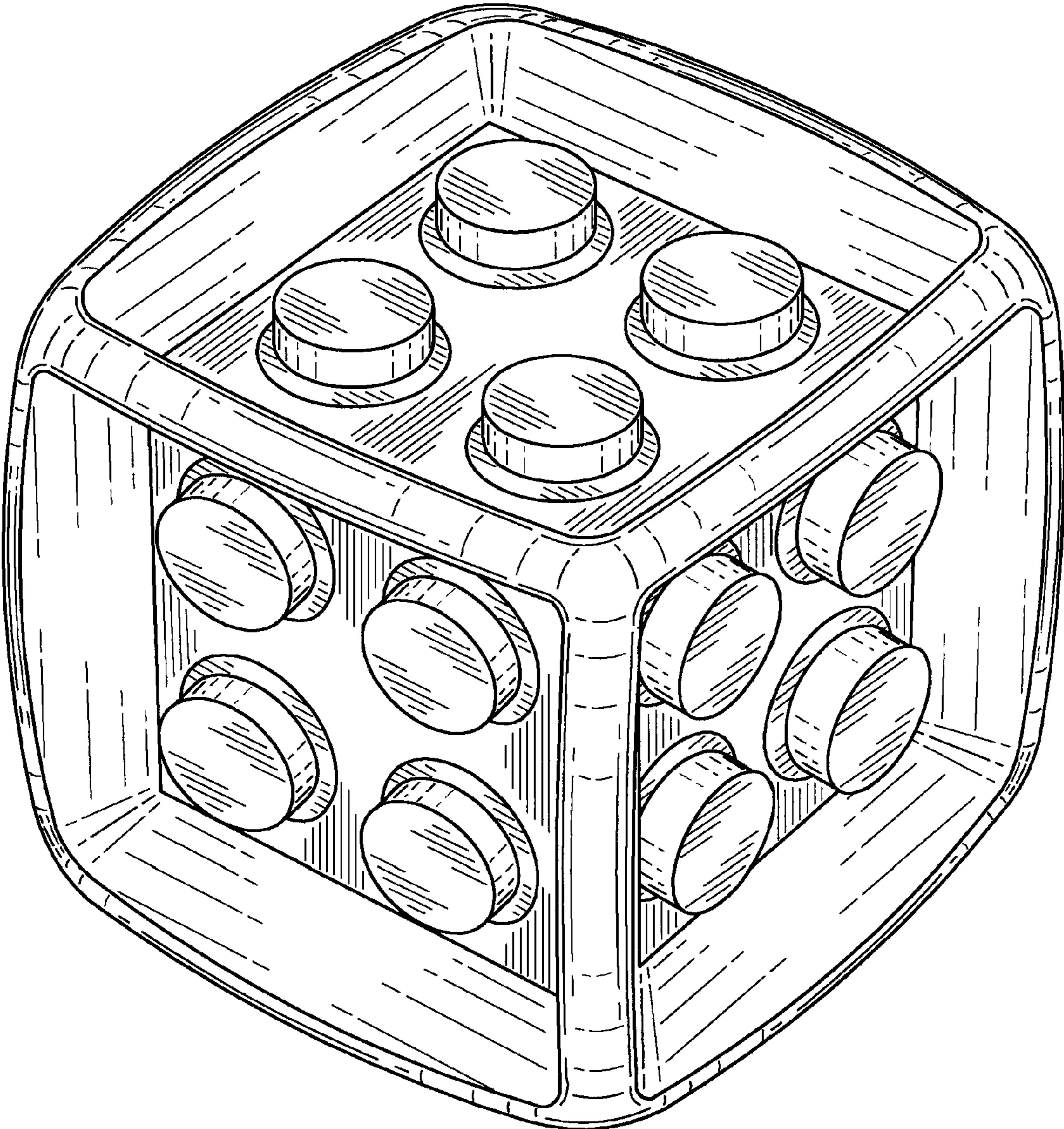


FIG. 3

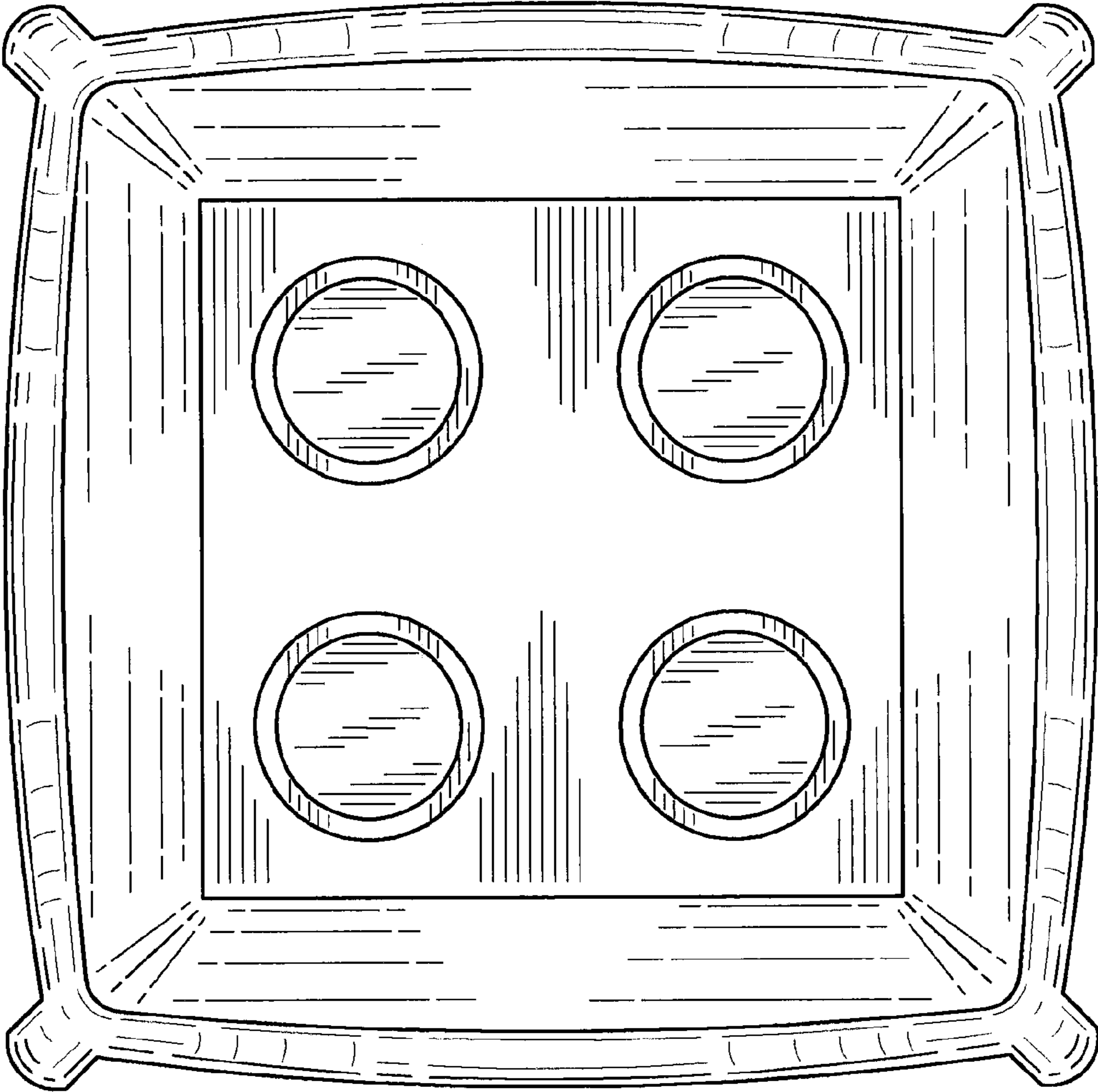


FIG. 4

UNITED STATES PATENT AND TRADEMARK OFFICE  
**CERTIFICATE OF CORRECTION**

PATENT NO. : Des. 614,248 S  
APPLICATION NO. : 29/346296  
DATED : April 20, 2010  
INVENTOR(S) : Ditte Bruun Pedersen

Page 1 of 1

It is certified that error appears in the above-identified patent and that said Letters Patent is hereby corrected as shown below:

Title Page, Item (75) Inventor: should read as follows:

--(75) Inventor: Ditte Bruun Pedersen, Billund (DK)--.

Signed and Sealed this

Twenty-seventh Day of July, 2010

A handwritten signature in black ink that reads "David J. Kappos". The signature is written in a cursive style with a large initial 'D' and a stylized 'K'.

David J. Kappos  
*Director of the United States Patent and Trademark Office*