



US00D614247S

(12) **United States Design Patent**  
**Clausen**

(10) **Patent No.:** **US D614,247 S**

(45) **Date of Patent:** **\*\* Apr. 20, 2010**

(54) **ELEMENT OF A CONSTRUCTION SET**

(75) Inventor: **Henrik Saaby Clausen**, Billund (DK)

(73) Assignee: **Lego A/S**, Billund (DK)

(\*\*) Term: **14 Years**

(21) Appl. No.: **29/315,656**

(22) Filed: **Jul. 14, 2009**

(30) **Foreign Application Priority Data**

Jan. 27, 2009 (EM) ..... 001076178

(51) **LOC (9) Cl.** ..... **21-01**

(52) **U.S. Cl.** ..... **D21/488; D21/502**

(58) **Field of Classification Search** ..... D21/484-505;  
D8/382, 397; 273/153, 156; 446/69, 85,  
446/102-128; 434/259

See application file for complete search history.

(56) **References Cited**

**U.S. PATENT DOCUMENTS**

D28,212 S *	1/1898	Biedenfeld	.....	D8/397
D276,830 S *	12/1984	Petersson	.....	D21/487
D281,440 S *	11/1985	Petersson	.....	D21/487
D309,927 S *	8/1990	Ryaa et al.	.....	D21/500
D315,181 S *	3/1991	Meyer	.....	D21/487
5,049,104 A *	9/1991	Olsen	.....	446/104
5,304,086 A *	4/1994	Bolli et al.	.....	446/108
D373,153 S *	8/1996	Madsen	.....	D21/487
D380,786 S *	7/1997	Guegan et al.	.....	D21/484
D386,545 S *	11/1997	Guegan et al.	.....	D21/484
D394,681 S *	5/1998	Pagel	.....	D21/495
5,752,869 A *	5/1998	Huff	.....	446/104

D397,607 S *	9/1998	Lawson	.....	D8/397
D410,707 S *	6/1999	Krog	.....	D21/488
D434,812 S *	12/2000	Lehn Hoeg	.....	D21/487
D452,428 S *	12/2001	Shinjo et al.	.....	D8/397
D453,000 S *	1/2002	Shinjo et al.	.....	D8/397
D475,097 S *	5/2003	Manville	.....	D21/658
D475,101 S *	5/2003	Manville	.....	D21/658
D510,020 S *	9/2005	Williams	.....	D8/397
D517,128 S *	3/2006	Kim	.....	D21/503
D517,616 S *	3/2006	Kim	.....	D21/503
D568,149 S *	5/2008	Riedel	.....	D8/397
D573,202 S *	7/2008	Chun	.....	D21/503
D576,480 S *	9/2008	Vakiener et al.	.....	D8/397
D582,763 S *	12/2008	Riedel et al.	.....	D8/397

\* cited by examiner

*Primary Examiner*—Philip S Hyder

*Assistant Examiner*—Cynthia M Chin

(74) *Attorney, Agent, or Firm*—Day Pitney LLP

(57) **CLAIM**

The ornamental design for an element of a construction set, as shown and described.

**DESCRIPTION**

FIG. 1 is a top perspective view of the element of a construction set of the present design;

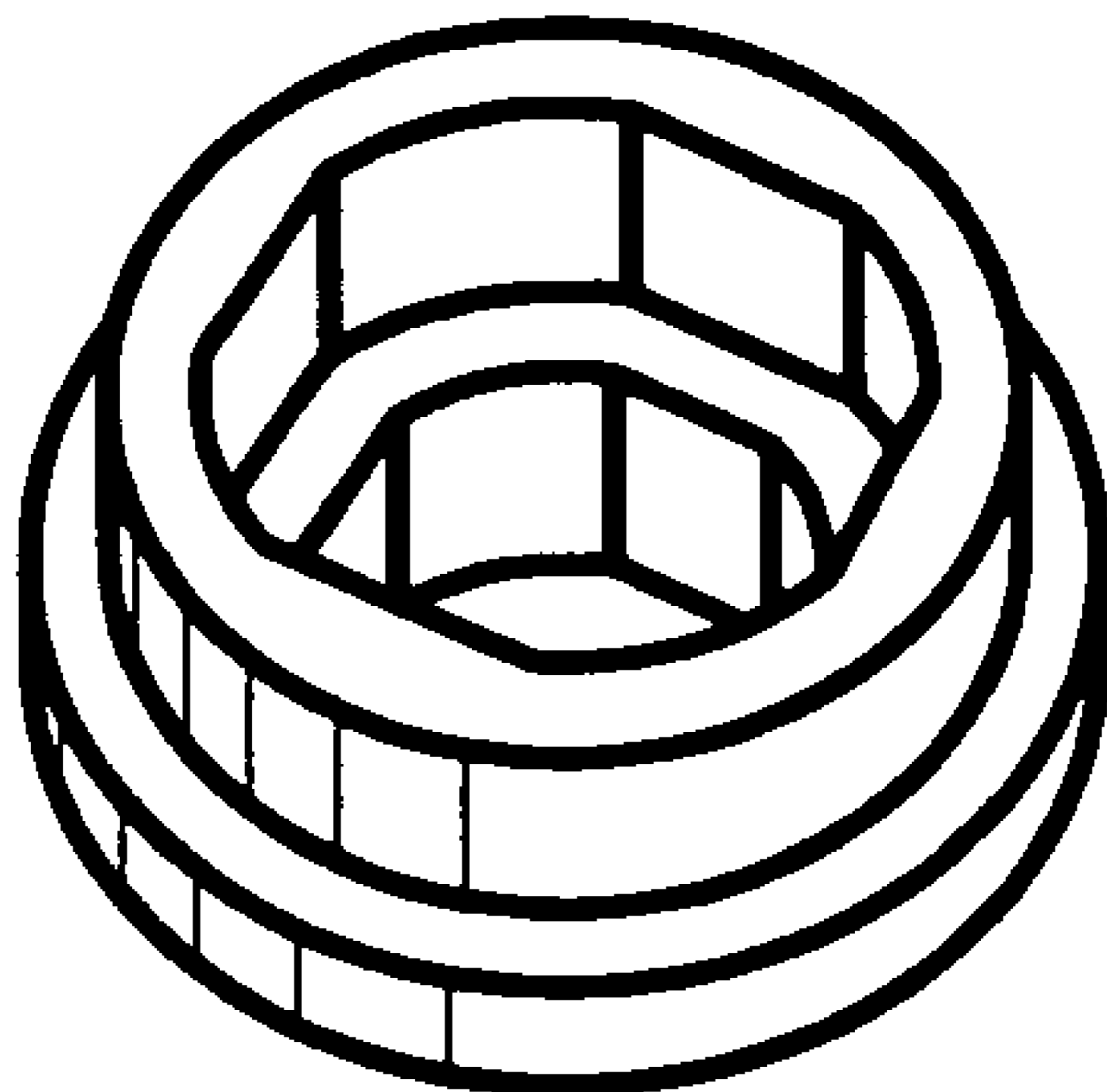
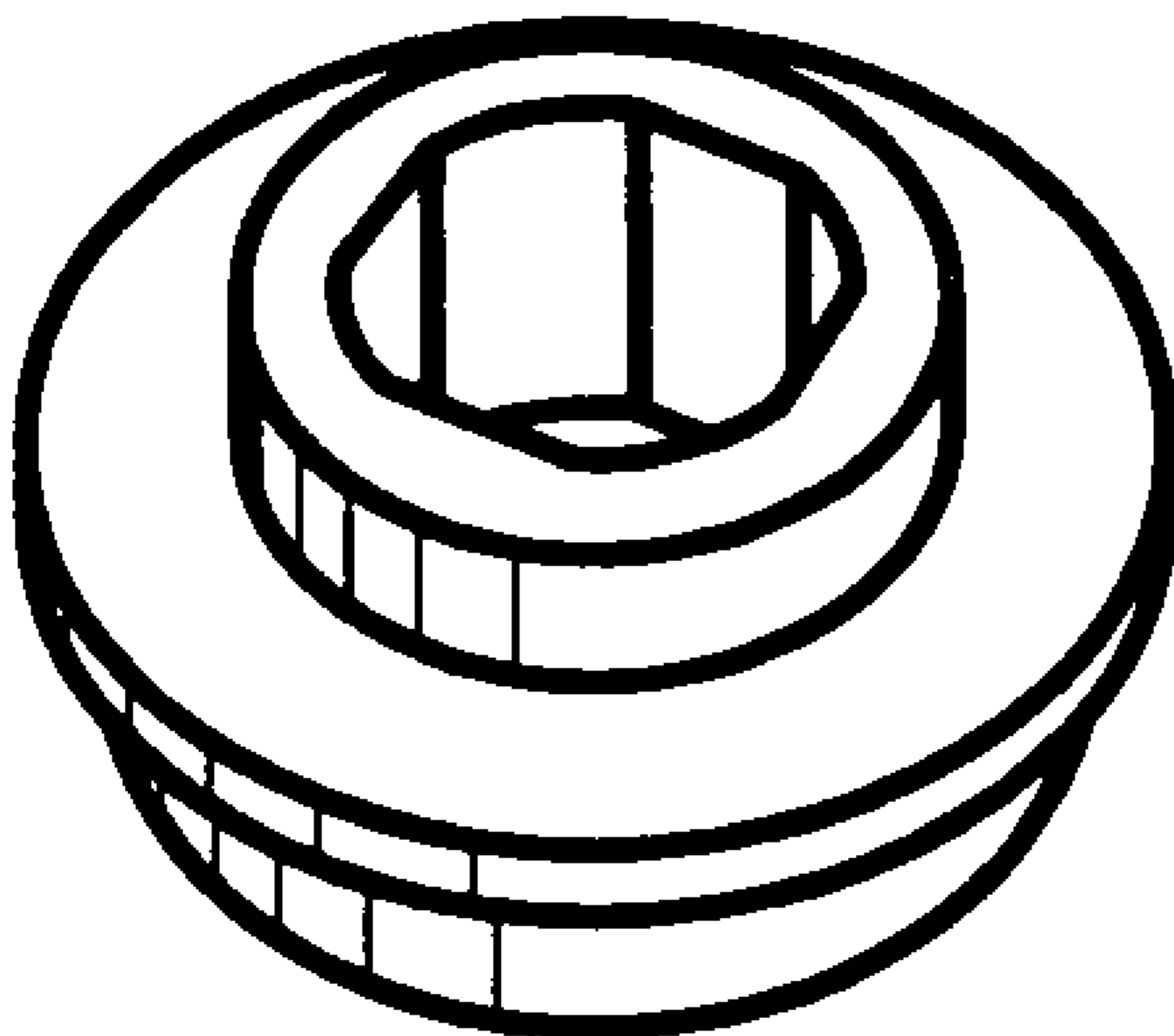
FIG. 2 is a bottom perspective view thereof;

FIG. 3 is a front view thereof, the rear view as well as the right and left side views being identical;

FIG. 4 is a top plan view thereof; and,

FIG. 5 is a bottom plan view thereof.

**1 Claim, 5 Drawing Sheets**



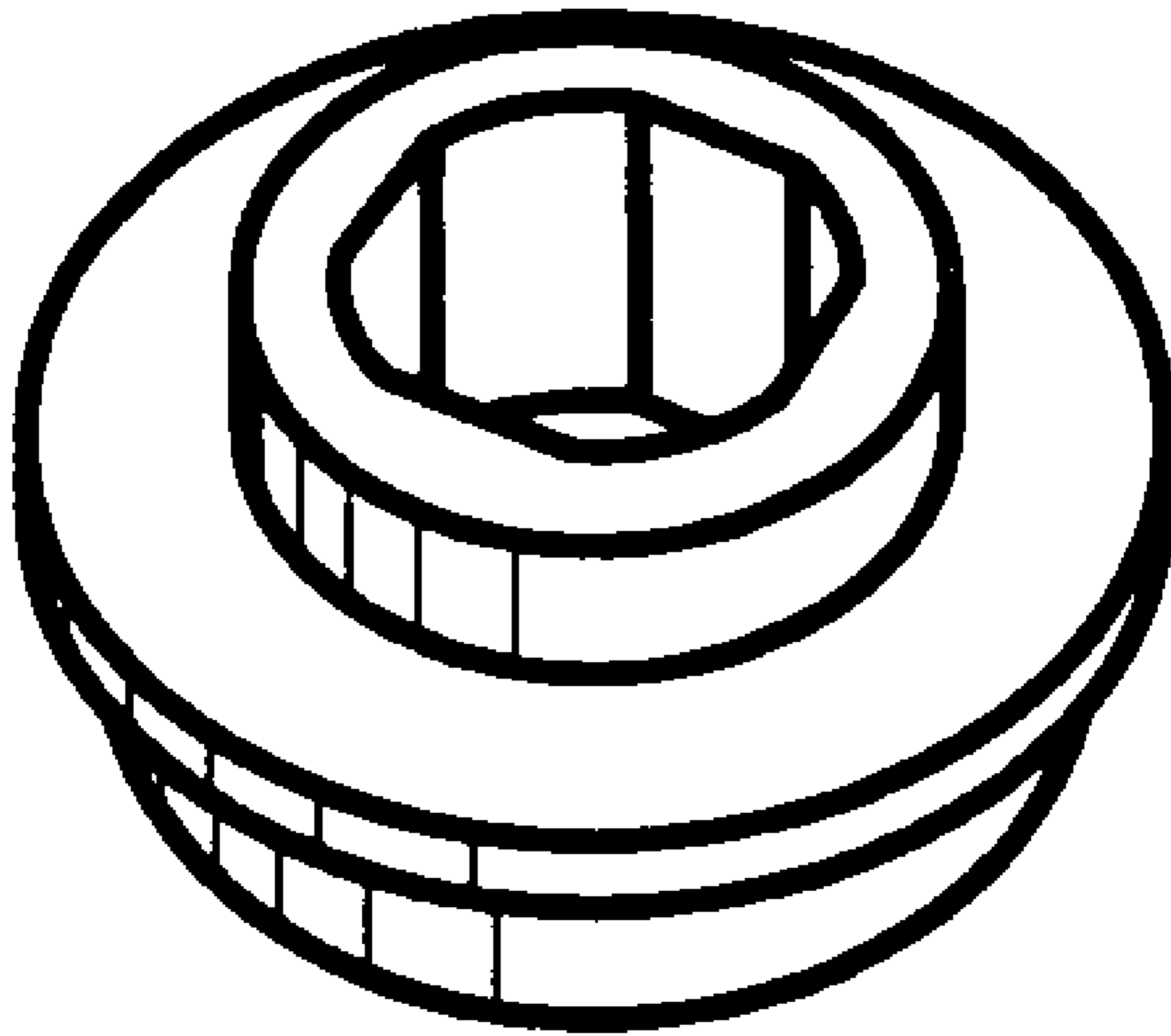


FIG. 1

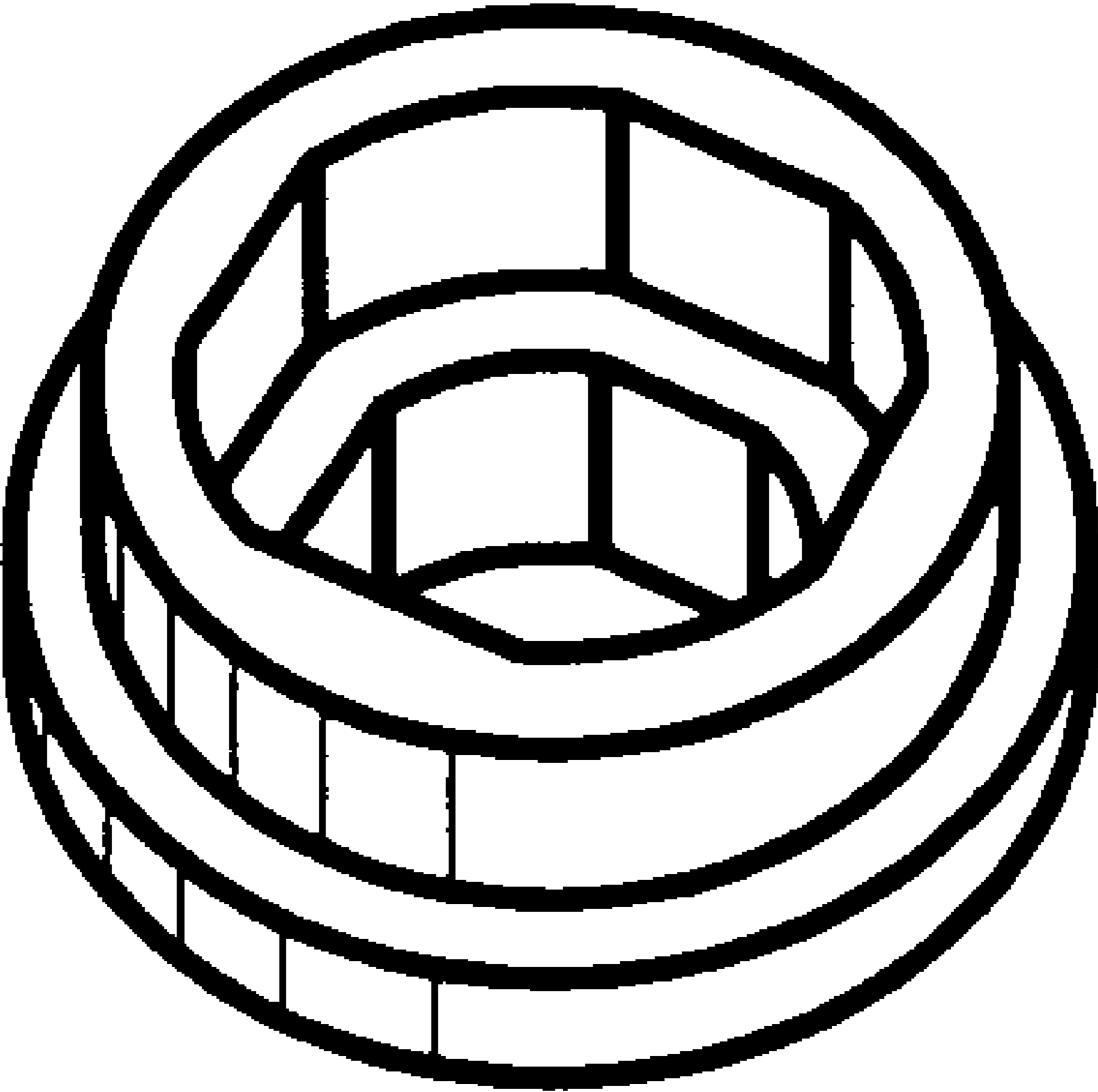


FIG. 2

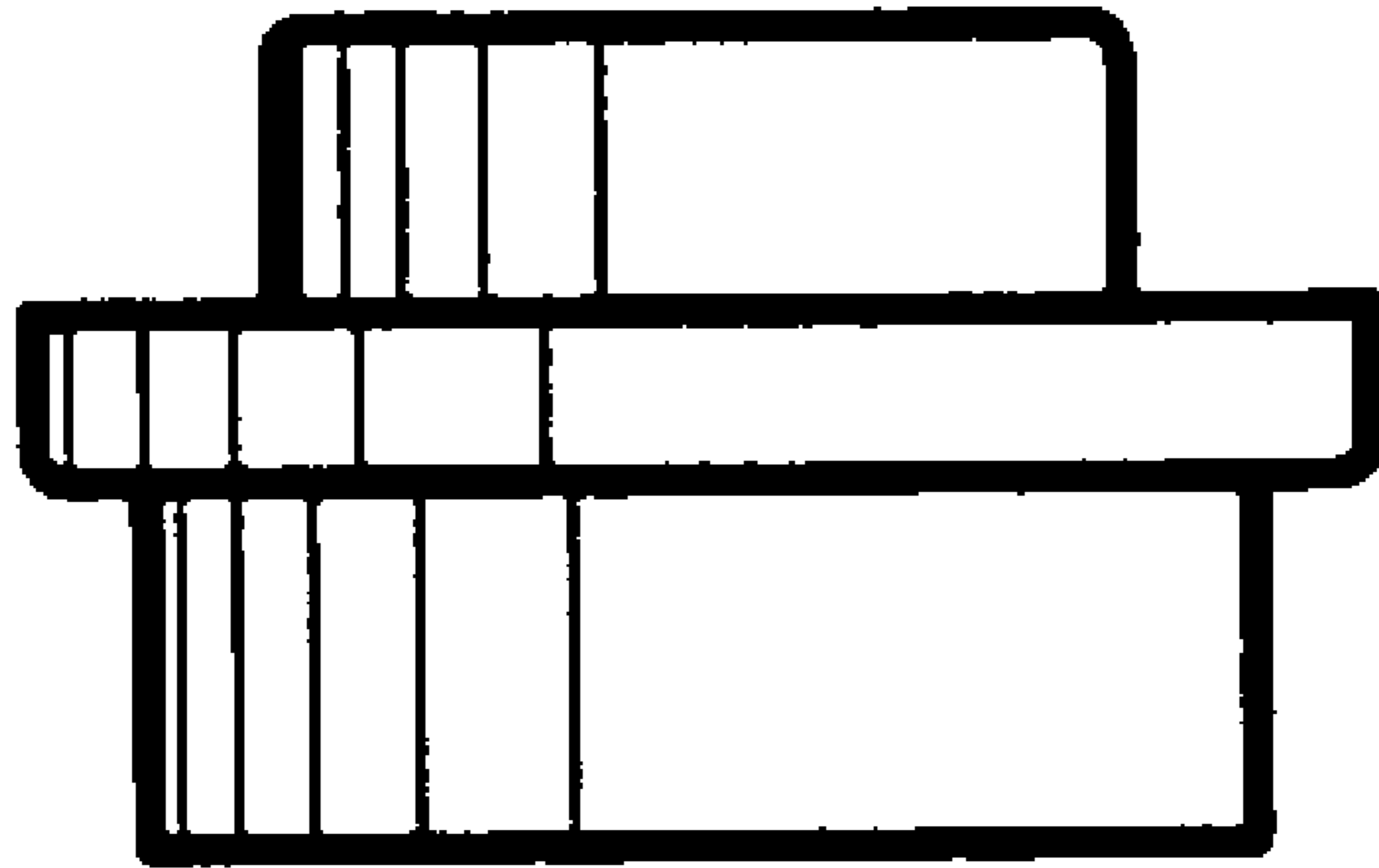


FIG. 3

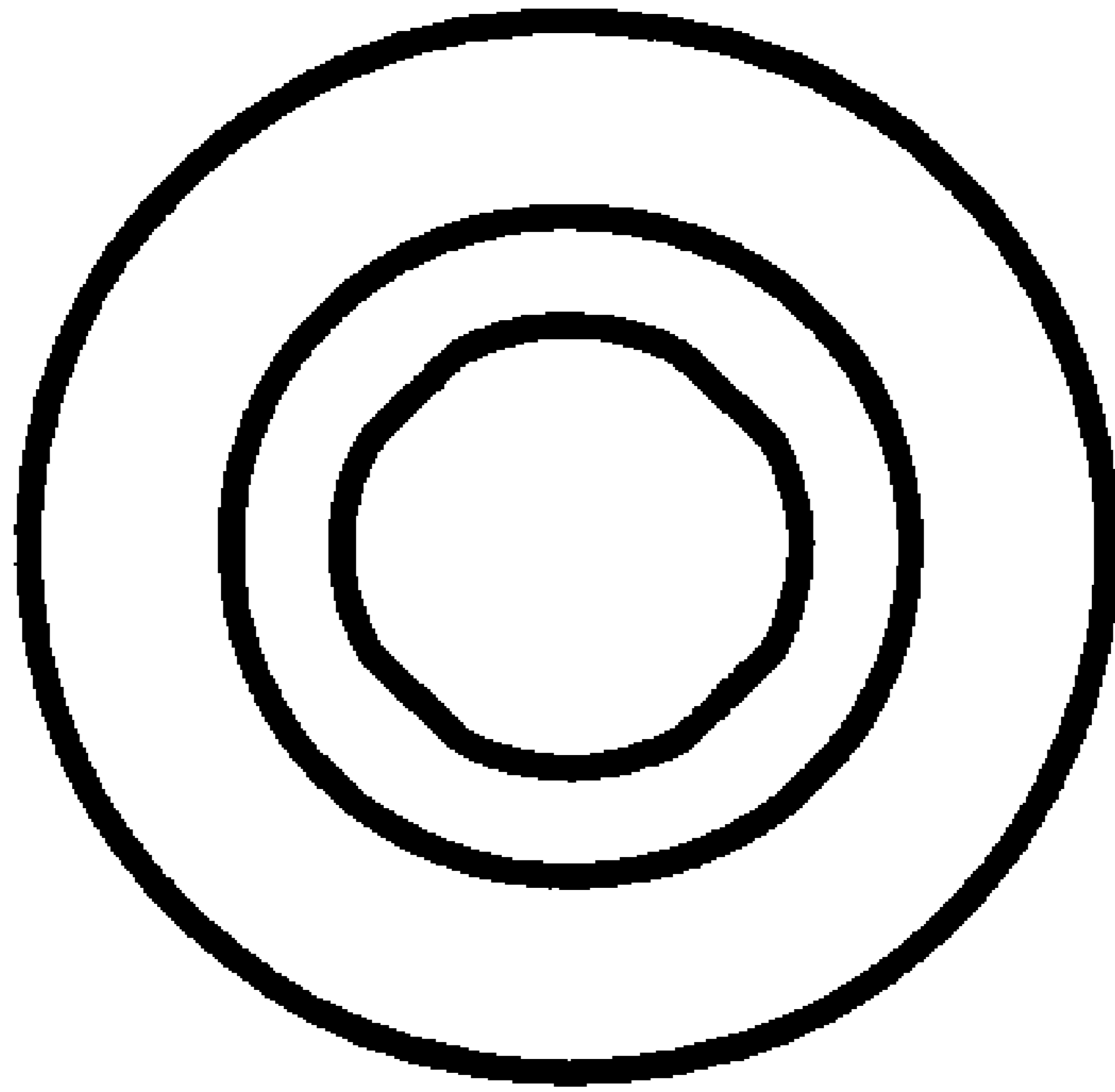


FIG. 4

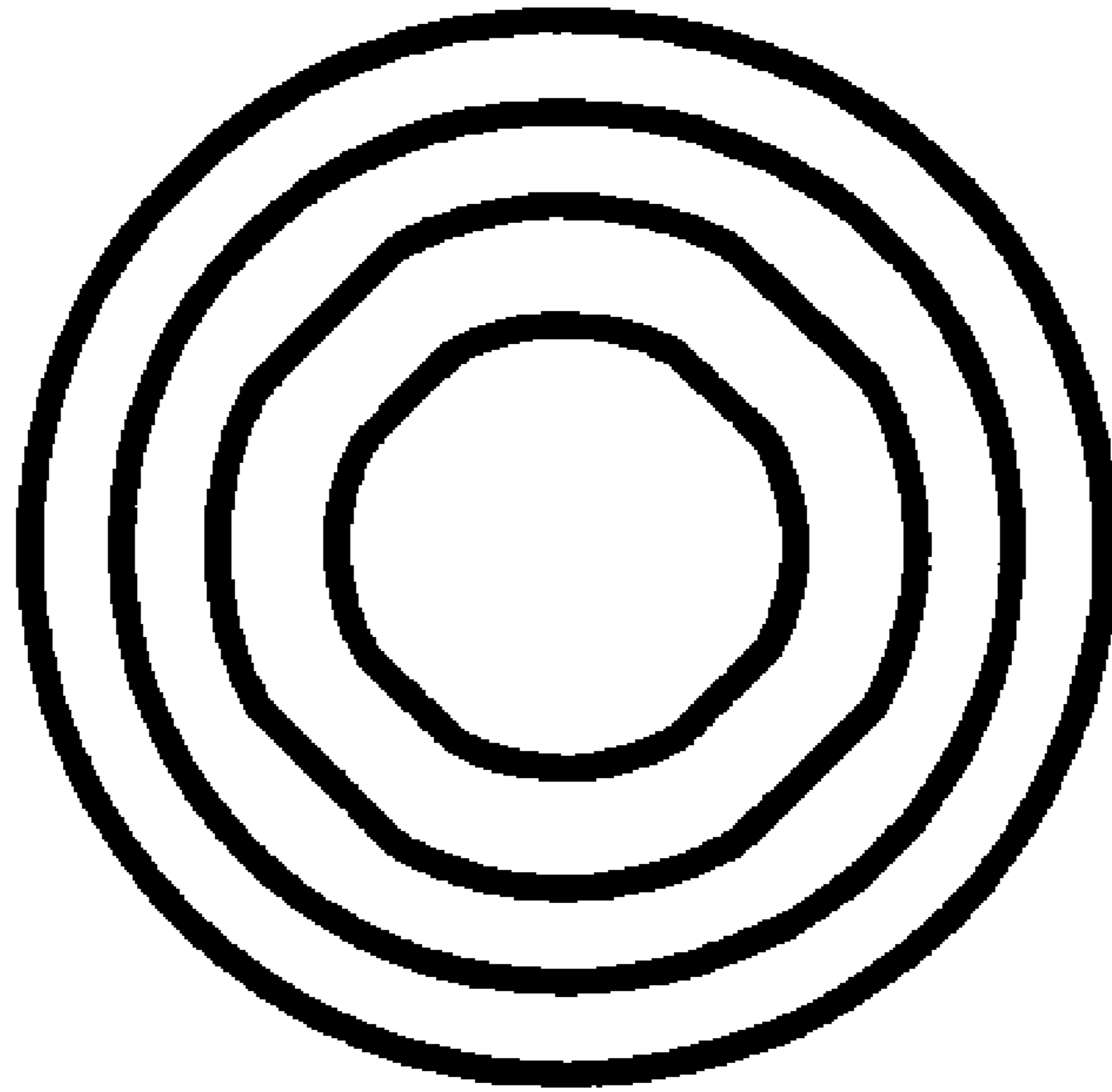


FIG. 5