



US00D614245S

(12) **United States Design Patent**  
**Ujita**

(10) **Patent No.:** **US D614,245 S**  
(45) **Date of Patent:** **\*\* Apr. 20, 2010**

(54) **TOY TOP**

(75) Inventor: **Haruhisa Ujita**, Tokyo (JP)

(73) Assignee: **Tomy Company, Ltd.**, Tokyo (JP)

(\*\*) Term: **14 Years**

(21) Appl. No.: **29/311,777**

(22) Filed: **Jun. 17, 2009**

(30) **Foreign Application Priority Data**

Dec. 18, 2008 (JP) ..... 2008-32138

(51) **LOC (9) Cl.** ..... **21-01**

(52) **U.S. Cl.** ..... **D21/460**

(58) **Field of Classification Search** ..... D21/385,  
D21/386, 390, 398, 404, 436-438, 441-444,  
D21/451, 453, 455, 458, 460-464, 563, 578,  
D21/585, 592; 446/34, 36-48, 217, 218,  
446/236-266, 330, 352, 358, 359, 366, 368,  
446/429, 430

See application file for complete search history.

(56) **References Cited**

**U.S. PATENT DOCUMENTS**

461,948 A	10/1891	Wilson
D155,015 S	8/1949	Krapp
2,789,392 A	4/1957	Palmieri
3,220,142 A	11/1965	Butterfiled
4,157,632 A	6/1979	Everett
D262,610 S	1/1982	Westlake et al.
D353,632 S	12/1994	Nonaka et al.
D356,347 S	3/1995	Nonaka et al.
5,518,437 A	5/1996	Nonaka et al.
6,604,979 B1	8/2003	Liu
6,626,729 B2	9/2003	Osawa
6,739,939 B2	5/2004	Matsukawa
6,746,300 B1	6/2004	Matsukawa
6,905,389 B2	6/2005	Matsukawa
7,063,589 B2	6/2006	Matsukawa et al.
7,427,225 B2	9/2008	Matsukawa et al.
D584,366 S	1/2009	Bowen et al.
2002/0102907 A1	8/2002	Osawa

2003/0064660 A1	4/2003	Matsukawa
2004/0198152 A1	10/2004	Matsukawa
2006/0258259 A1	11/2006	Lin

**FOREIGN PATENT DOCUMENTS**

CN	2925561	7/2007
CN	200977395	11/2007
CN	200977396	11/2007
CN	200977397	11/2007
CN	200977398	11/2007
CN	200984446	12/2007
CN	201214014 Y *	4/2009
DE	2002 07 253	10/2002

(Continued)

**OTHER PUBLICATIONS**

Notice of Allowance mailed Sep. 3, 2009 in co-pending U.S. Appl. No. 29/309,764.

(Continued)

*Primary Examiner*—Catherine Tuttle

(74) *Attorney, Agent, or Firm*—Staas & Halsey LLP

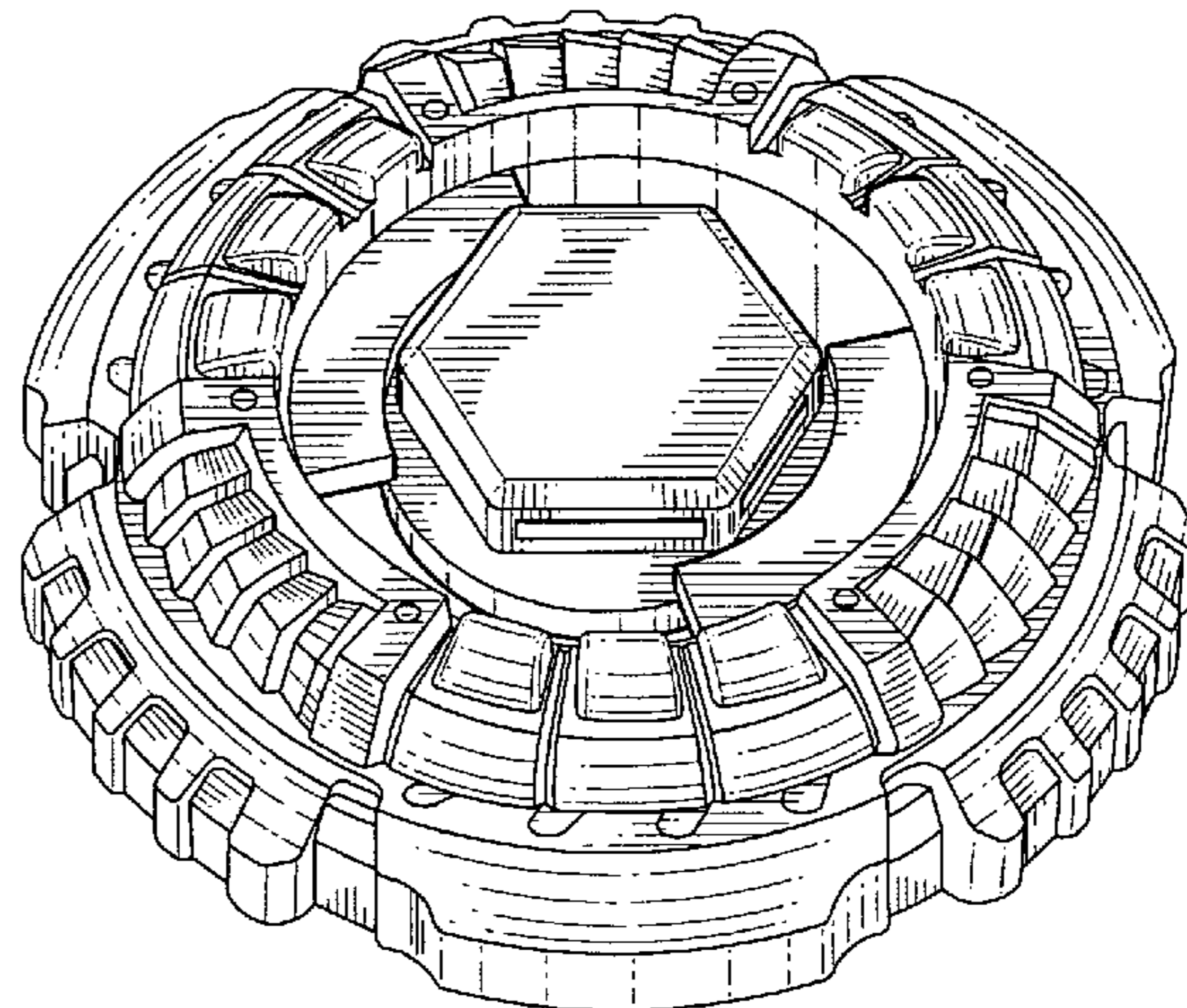
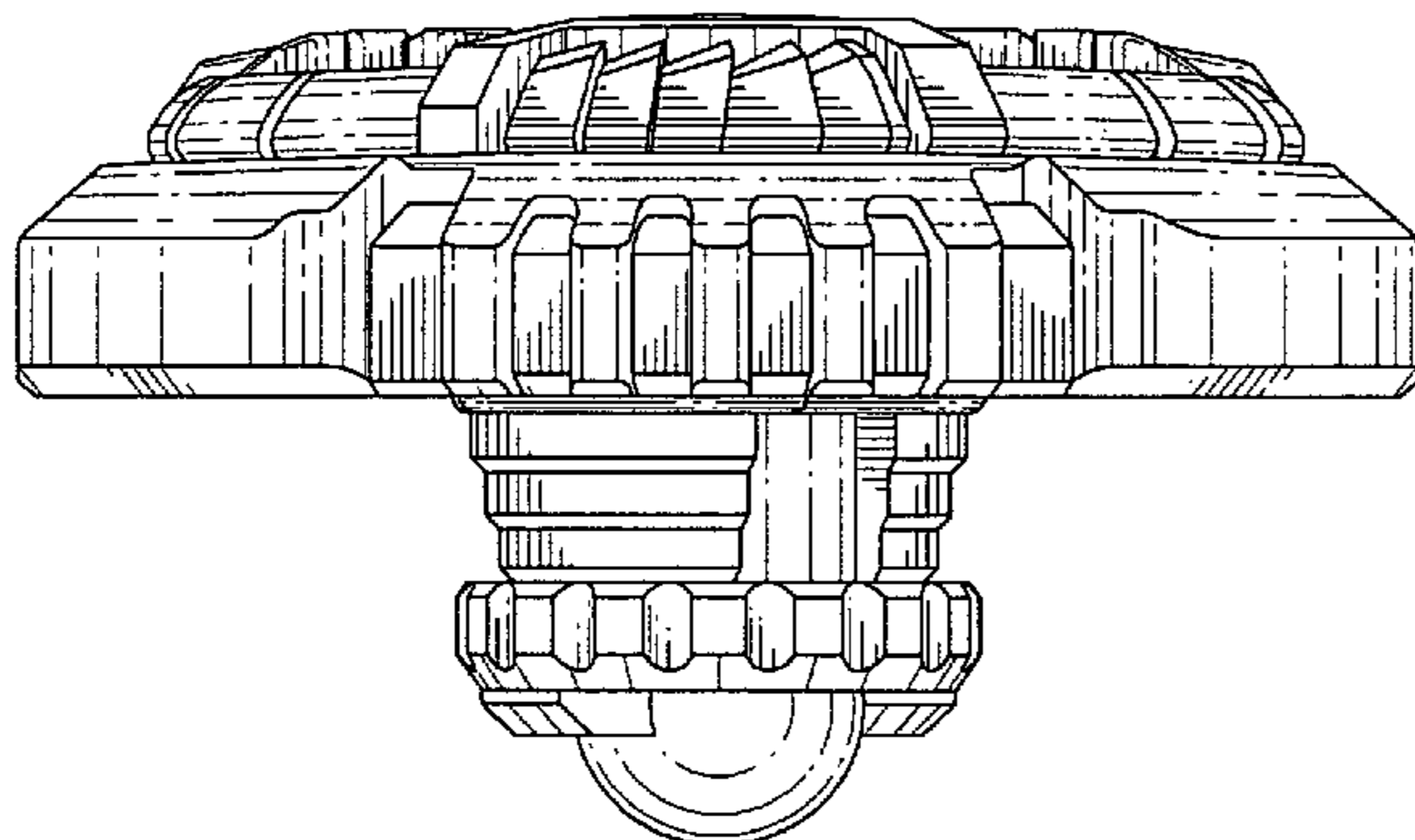
(57) **CLAIM**

The ornamental design for a toy top, as shown.

**DESCRIPTION**

FIG. 1 is a front view of the toy top showing my design;  
FIG. 2 is a rear view thereof;  
FIG. 3 is right side view thereof;  
FIG. 4 is a left side thereof;  
FIG. 5 is a top view thereof;  
FIG. 6 is a bottom view thereof;  
FIG. 7 is a top perspective view thereof; and,  
FIG. 8 is a bottom perspective view thereof.

**1 Claim, 4 Drawing Sheets**



FOREIGN PATENT DOCUMENTS

JP	3067318	1/2000
JP	3156926	2/2001
JP	2003-320174	11/2003
JP	2005-328976	12/2005

OTHER PUBLICATIONS

Notice of Allowance mailed Sep. 3, 2009 in co-pending U.S. Appl. No. 29/309,762.  
 Abstracts of Publication No. 3156926, Published Feb. 27, 2001.  
 European Extended Search Report mailed Jun. 25, 2009 in a related Application No. 08253264.9-2318.  
 U.S. Copyright Registration No. VA1-151-590 dated Nov. 15, 2002 with deposit copy.  
 U.S. Copyright Registration No. VA1-151-591 dated Nov. 15, 2002 with deposit copy.  
 U.S. Copyright Registration No. VA1-151-593 dated Nov. 15, 2002 with deposit copy.  
 U.S. Copyright Registration No. VA1-172-925 dated Oct. 22, 2002 with deposit copy.  
 U.S. Copyright Registration No. VA1-172-926 dated Oct. 22, 2002 with deposit copy.  
 U.S. Copyright Registration No. VA1-172-927 dated Oct. 22, 2002 with deposit copy.  
 U.S. Copyright Registration No. VA1-172-931 dated Oct. 22, 2002 with deposit copy.  
 U.S. Copyright Registration No. VA1-172-935 dated Oct. 22, 2002 with deposit copy.  
 Specimen filed in U.S. Trademark Registration No. 3,002,216 on Jul. 11, 2005.  
 Specimen filed in U.S. Trademark Registration No. 2,709,995 on Nov. 12, 2002.  
 Apr. 7, 2009 Notice of Allowance in co-pending U.S. Appl. No. 29/309,764.  
 Apr. 15, 2009 Office Action in co-pending U.S. Appl. No. 29/309,766.  
 Apr. 2, 2009 Office Action in co-pending U.S. Appl. No. 29/309,758.

Apr. 16, 2009 Office Action in co-pending U.S. Appl. No. 29/309,768.  
 Apr. 15, 2009 Office Action in co-pending U.S. Appl. No. 29/309,759.  
 Apr. 7, 2009 Office Action in co-pending U.S. Appl. No. 29/309,761.  
 Notice of Allowance in co-pending U.S. Appl. No. 29/309,762.  
 U.S. Appl. No. 29/309,764, filed Oct. 6, 2008, Nishimoto, TOMY Company, Ltd.  
 U.S. Appl. No. 29/309,766, filed Oct. 6, 2008, Nishimoto, TOMY Company, Ltd.  
 U.S. Appl. No. 29/309,758, filed Oct. 6, 2008, Nishimoto, TOMY Company, Ltd.  
 U.S. Appl. No. 29/309,768, filed Oct. 6, 2008, Nishimoto, TOMY Company, Ltd.  
 U.S. Appl. No. 29/309,759, filed Oct. 6, 2008, Ujita, TOMY Company, Ltd.  
 U.S. Appl. No. 29/309,761, filed Oct. 6, 2008, Nishimoto, TOMY Company, Ltd.  
 U.S. Appl. No. 29/309,762, filed Oct. 6, 2008, Nishimoto, TOMY Company, Ltd.  
 U.S. Appl. No. 29/311,776, filed Jun. 17, 2009, Ujita, TOMY Company, Ltd.  
 U.S. Appl. No. 29/311,775, filed Jun. 17, 2009, Ujita, TOMY Company, Ltd.  
 U.S. Appl. No. 29/311,821, filed Jul. 2, 2009, Nishimoto, TOMY Company, Ltd.  
 Patent Abstract of China, Publication No. 201214014, Published Apr. 1, 2009.  
 Office Action mailed Nov. 27, 2009 in co-pending U.S. Des. Appl. No. 29/311,821.  
 Office Action mailed Nov. 27, 2009 in co-pending U.S. Des. Appl. No. 29/311,775.  
 Notice of Allowance mailed Nov. 30, 2009 in co-pending U.S. Des. Appl. No. 29/309,766.  
 Notice of Allowance mailed Nov. 30, 2009 in co-pending U.S. Des. Appl. No. 29/309,758.

\* cited by examiner

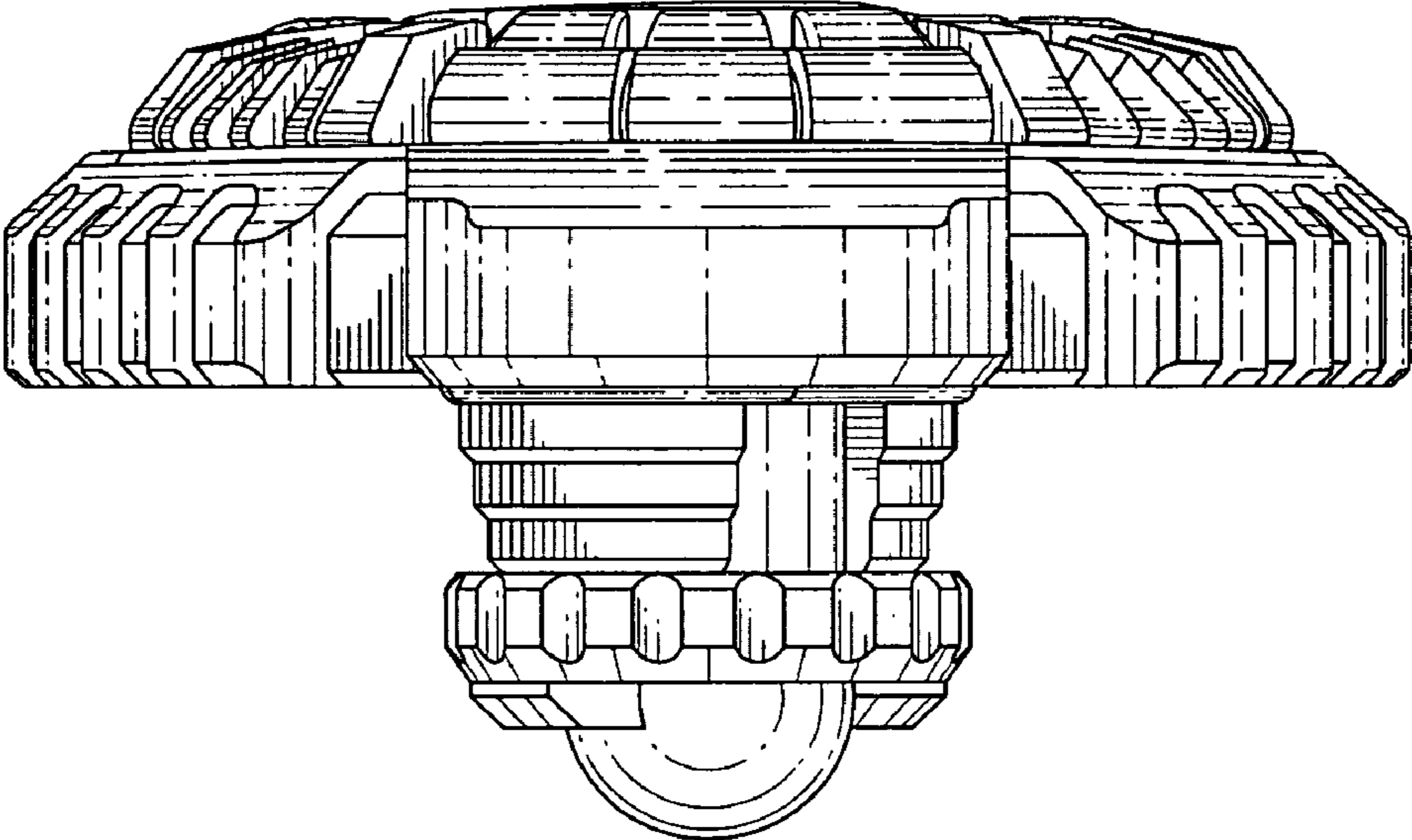


FIG. 1

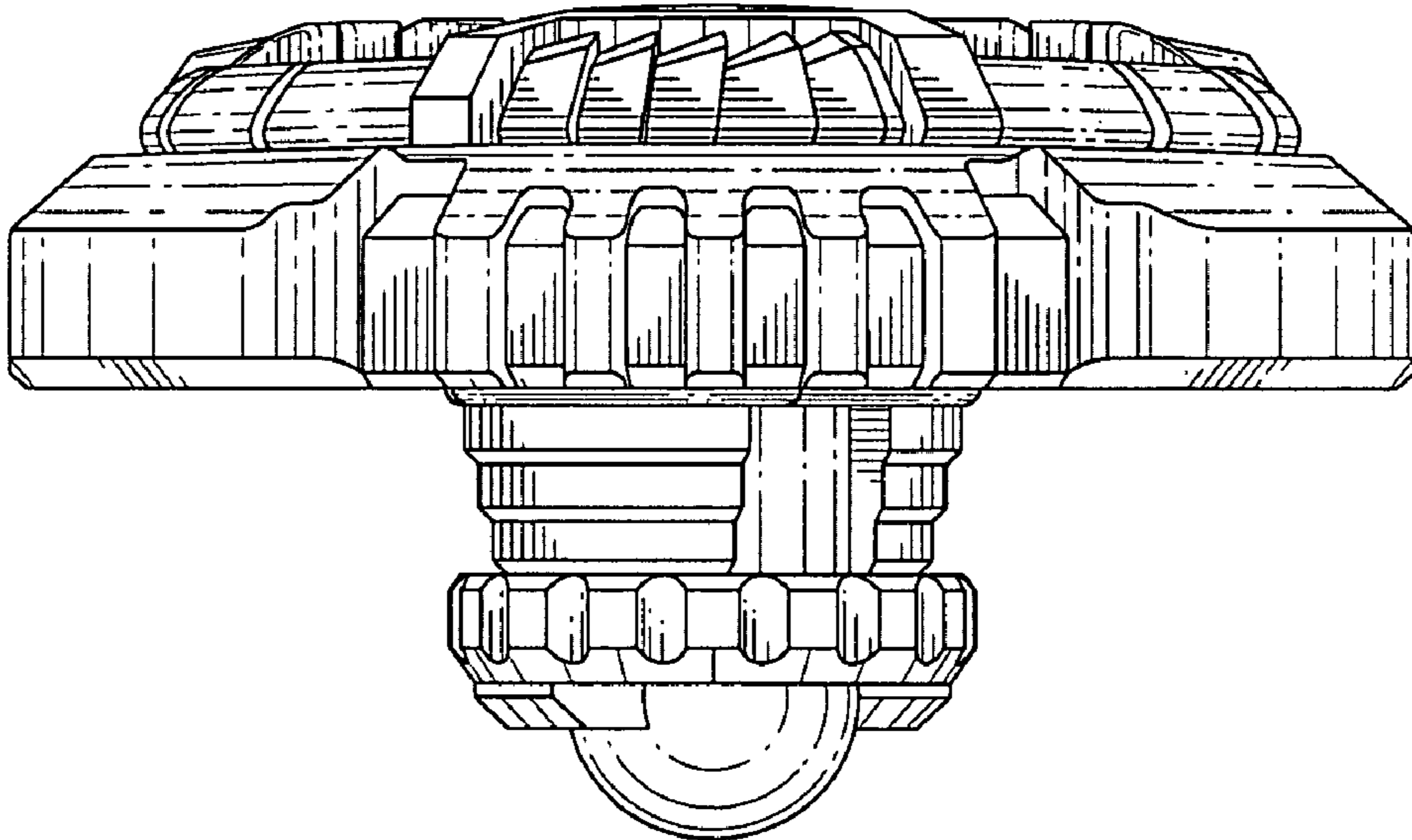


FIG. 2

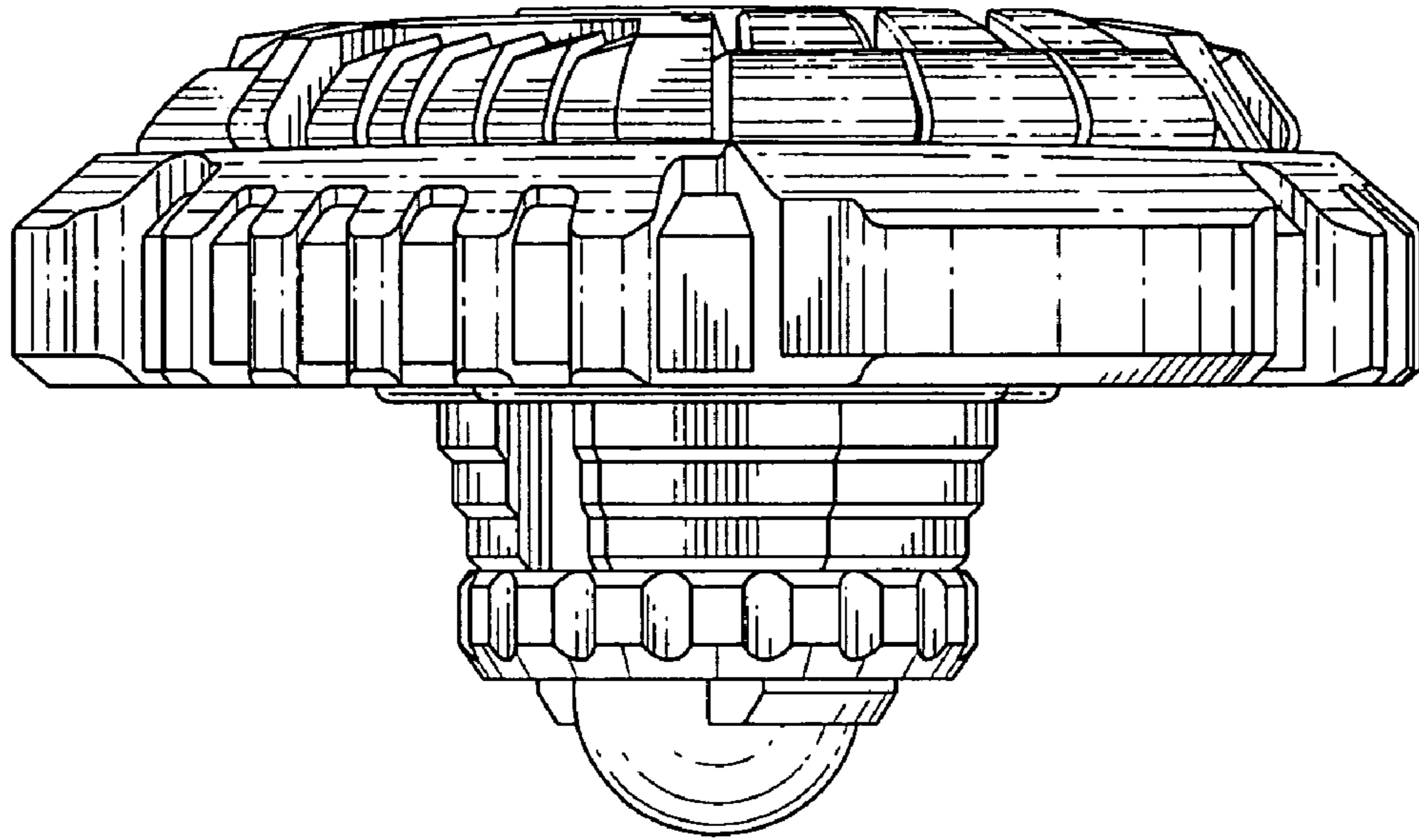


FIG. 3

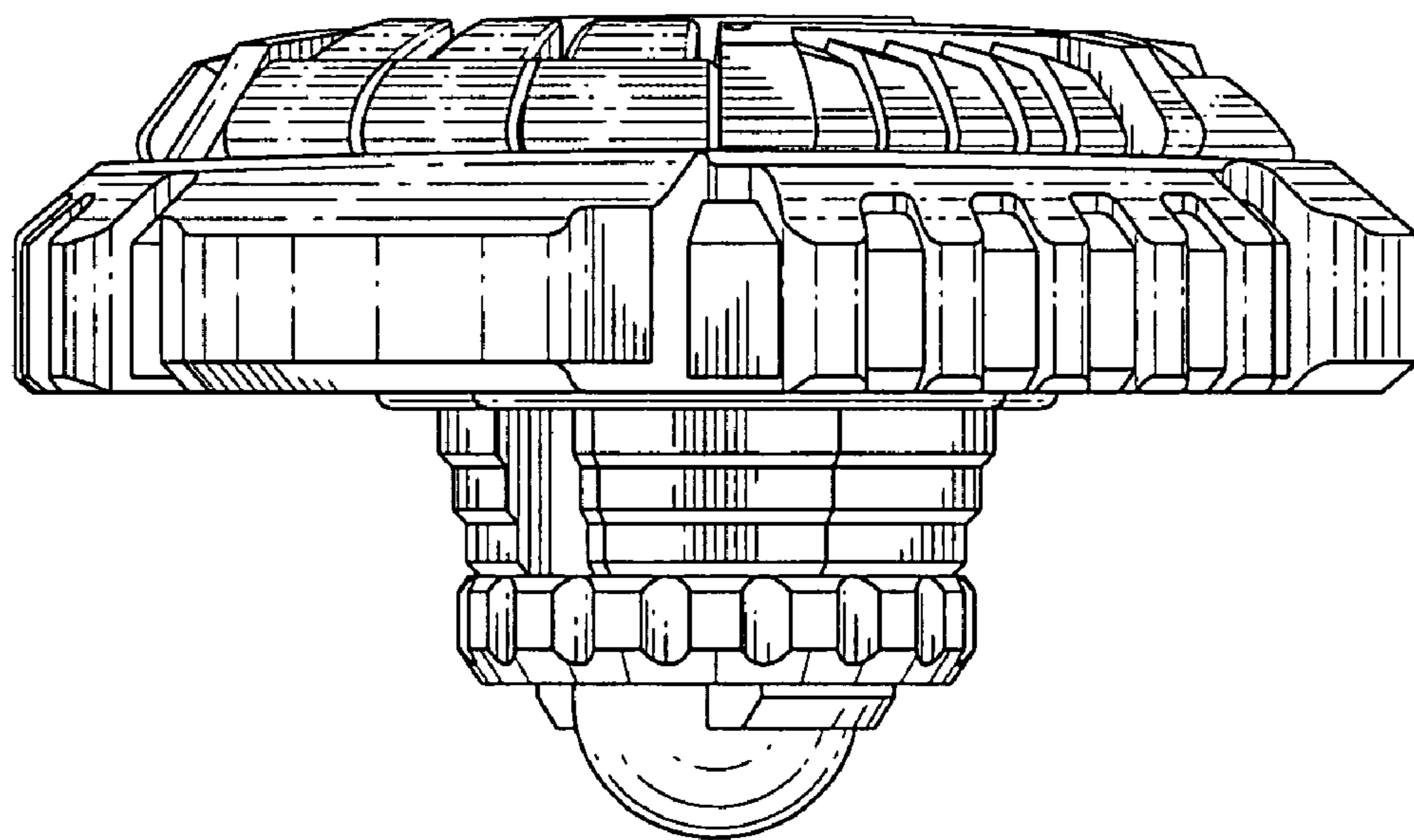


FIG. 4

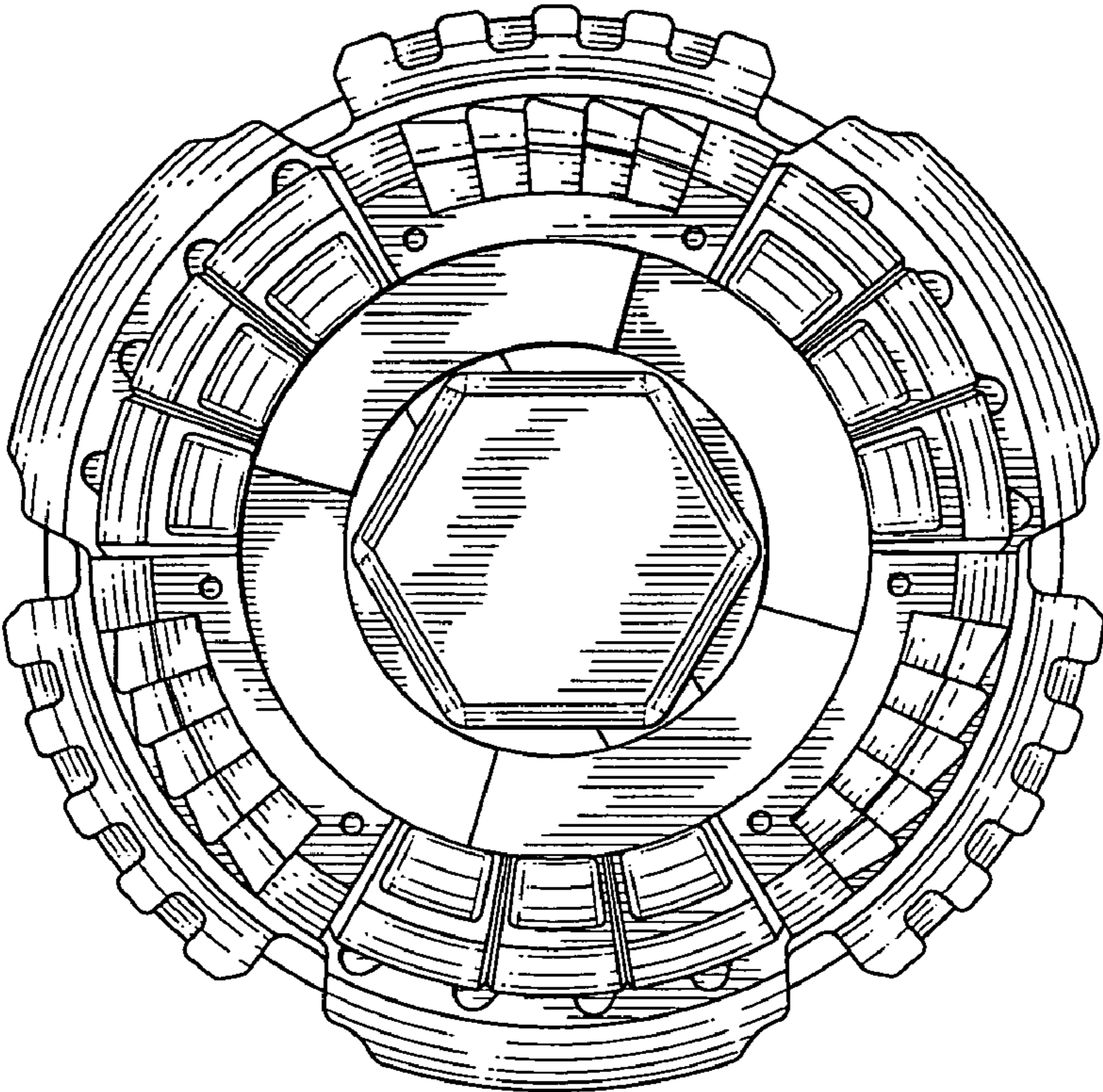


FIG. 5

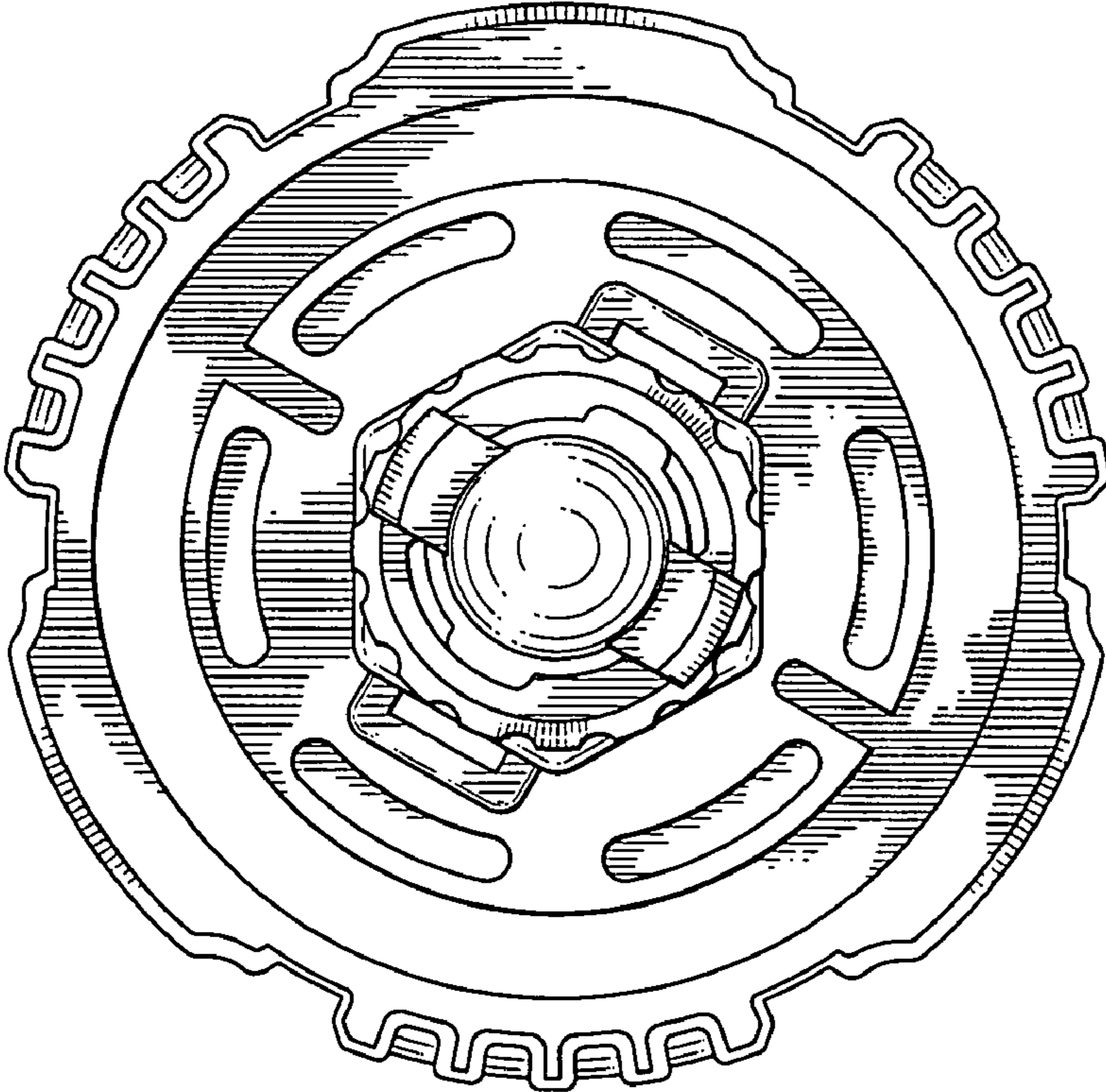


FIG. 6

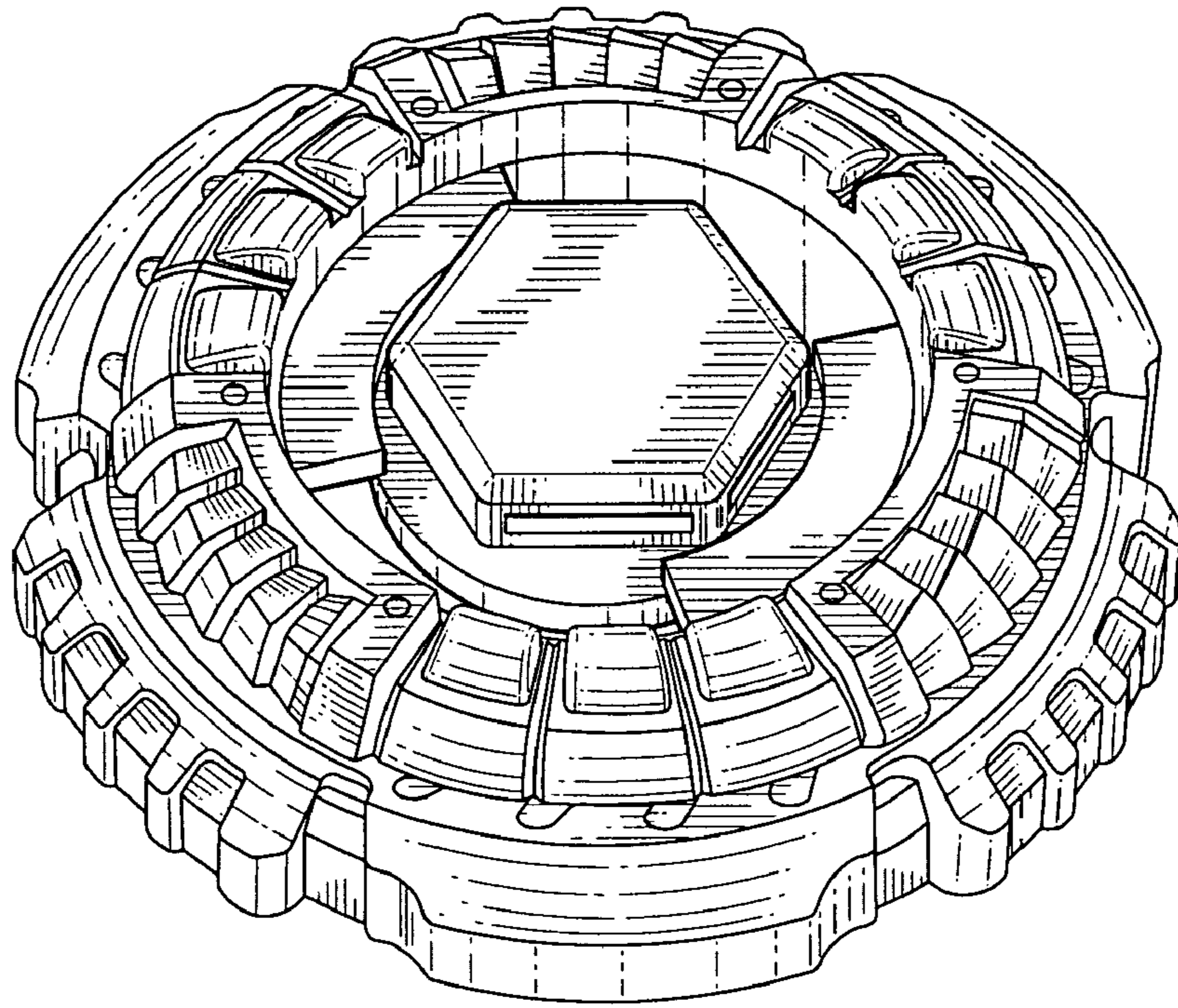


FIG. 7

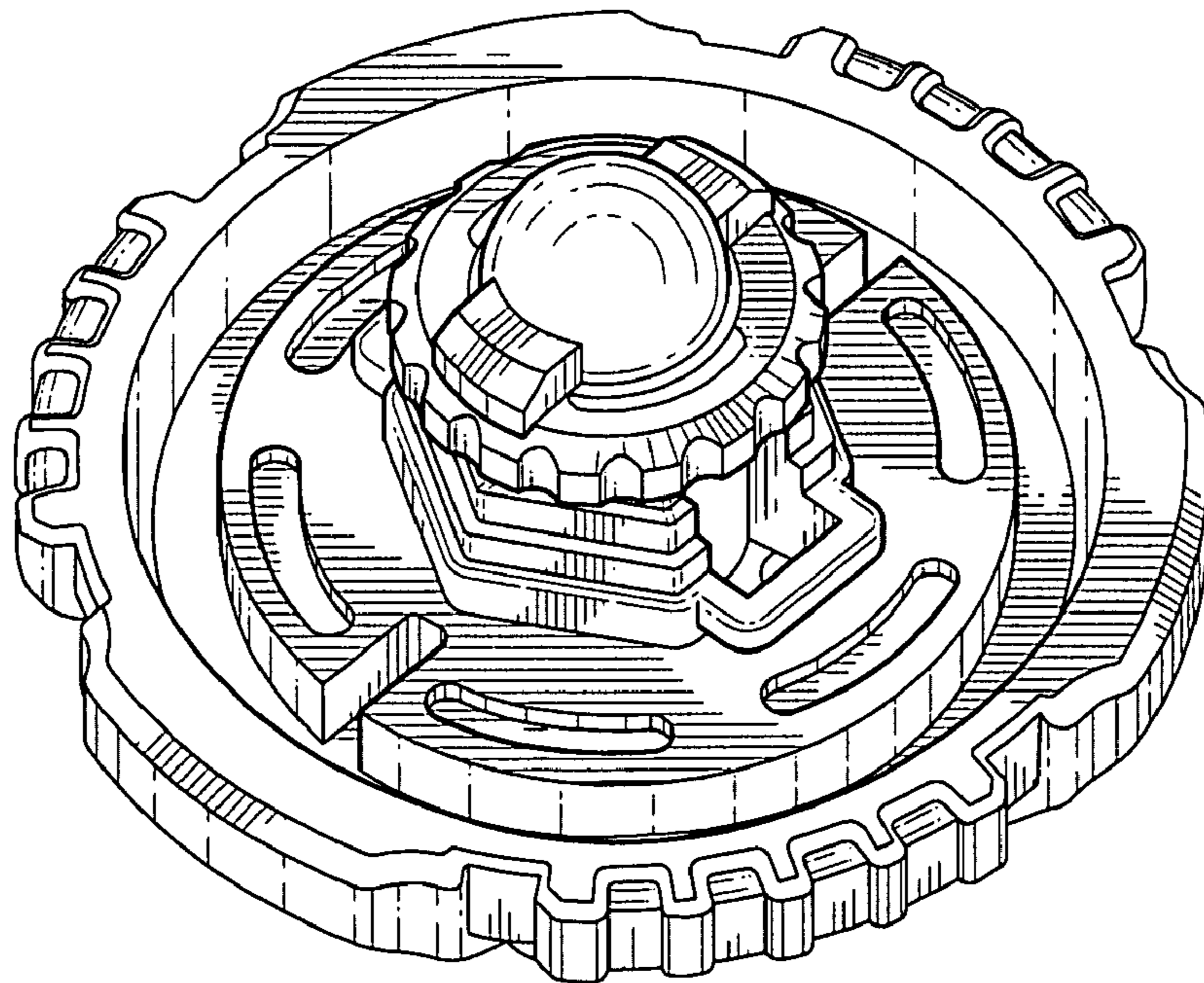


FIG. 8