



US00D614244S

(12) **United States Design Patent**
Inoue

(10) **Patent No.:** **US D614,244 S**

(45) **Date of Patent:** **** Apr. 20, 2010**

(54) **GAME MACHINE**

(75) Inventor: **Atsushi Inoue**, Tokyo (JP)

(73) Assignee: **Konami Digital Entertainment Co., Ltd.**, Tokyo (JP)

(**) Term: **14 Years**

(21) Appl. No.: **29/315,326**

(22) Filed: **Jun. 15, 2009**

(30) **Foreign Application Priority Data**

Dec. 22, 2008 (JP) 2008-032514

(51) **LOC (9) Cl.** **21-03**

(52) **U.S. Cl.** **D21/371; D21/369**

(58) **Field of Classification Search** D21/324-329,
D21/369-371, 374-375; 273/139, 142 R,
273/142 E; 463/12-13, 16-17, 22, 46-47

See application file for complete search history.

(56) **References Cited**

U.S. PATENT DOCUMENTS

D364,428 S * 11/1995 Caron D21/310
5,634,639 A * 6/1997 Tokito et al. 273/123 R
5,857,910 A * 1/1999 Watanabe et al. 463/17
6,082,734 A * 7/2000 Uehara et al. 273/142 E
6,164,646 A * 12/2000 Uehara et al. 273/142 R
D439,282 S * 3/2001 Yamaguchi D21/329
D523,093 S * 6/2006 Kaminkow et al. D21/369

FOREIGN PATENT DOCUMENTS

JP D1284422 9/2006

* cited by examiner

Primary Examiner—Sandra Morris

(74) *Attorney, Agent, or Firm*—Jordan and Hamburg LLP

(57) **CLAIM**

The ornamental design for a game machine, as shown and described.

DESCRIPTION

FIG. 1 is a first perspective view of a game machine;

FIG. 2 is a second perspective view thereof;

FIG. 3 is a front view thereof;

FIG. 4 is a rear view thereof;

FIG. 5 is a left side view thereof;

FIG. 6 is a right side view thereof;

FIG. 7 is a top view thereof;

FIG. 8 is an enlarged perspective view of the upper part of FIG. 1 thereof;

FIG. 9 is an enlarged perspective view of the upper part of FIG. 2 thereof;

FIG. 10 is an enlarged front view of the upper part of FIG. 3 thereof;

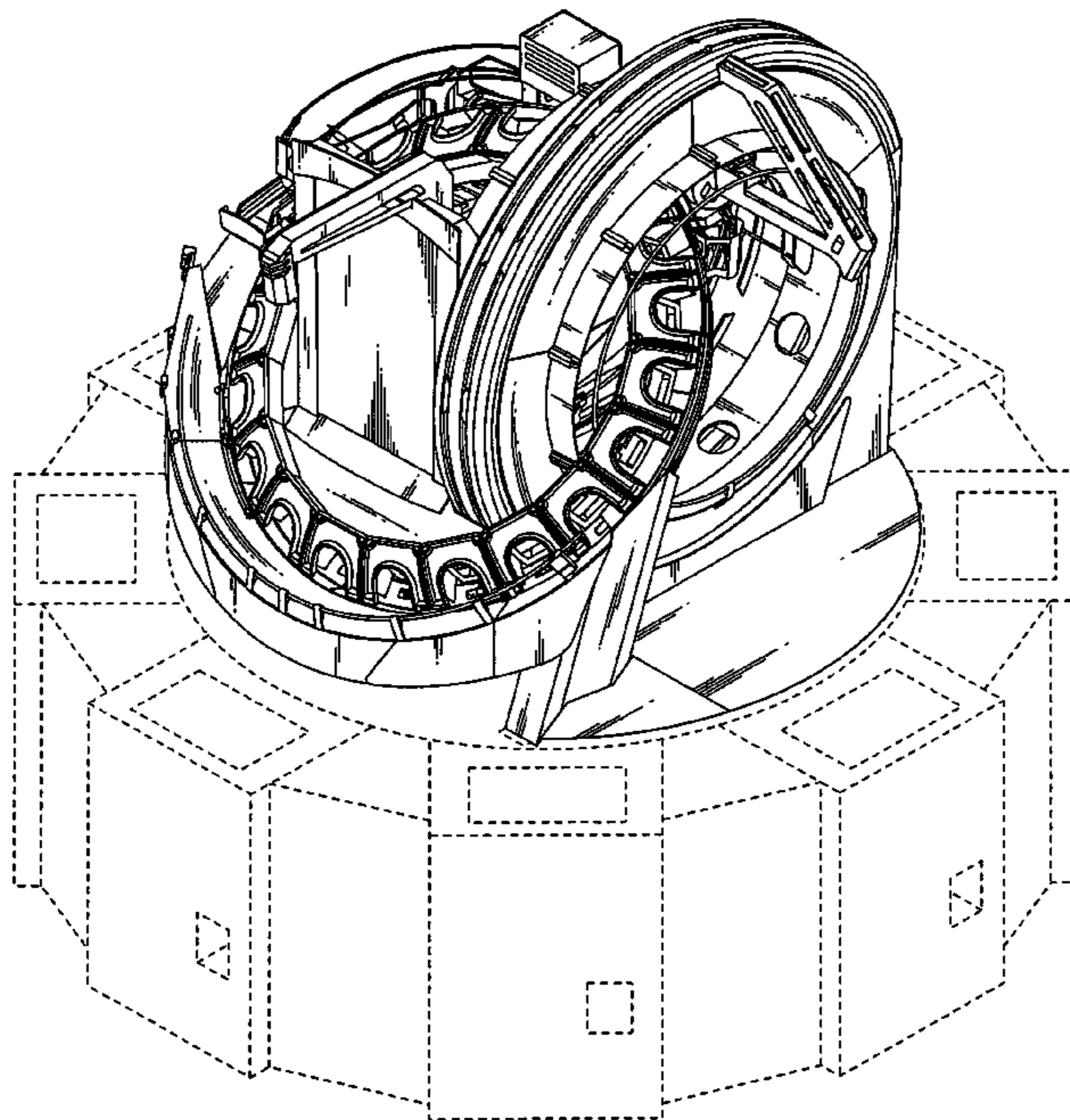
FIG. 11 is an enlarged rear view of the upper part of FIG. 4 thereof;

FIG. 12 is an enlarged left side view of the upper part of FIG. 5 thereof; and,

FIG. 13 is an enlarged right side view of the upper part of FIG. 6 thereof.

The portion shown by broken lines is for illustrative purposes only and forms no part of the claimed design.

1 Claim, 13 Drawing Sheets



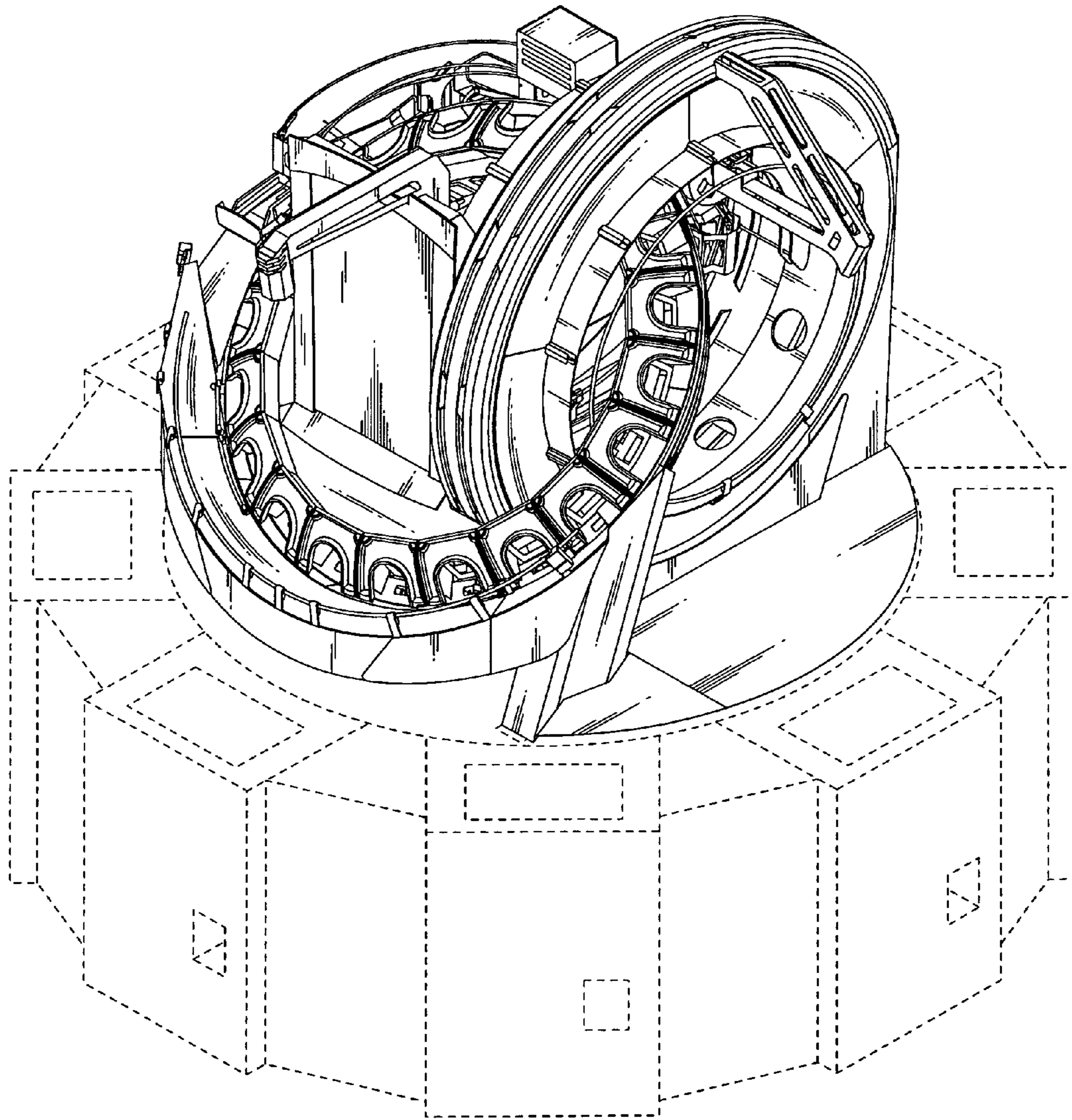


FIG.1

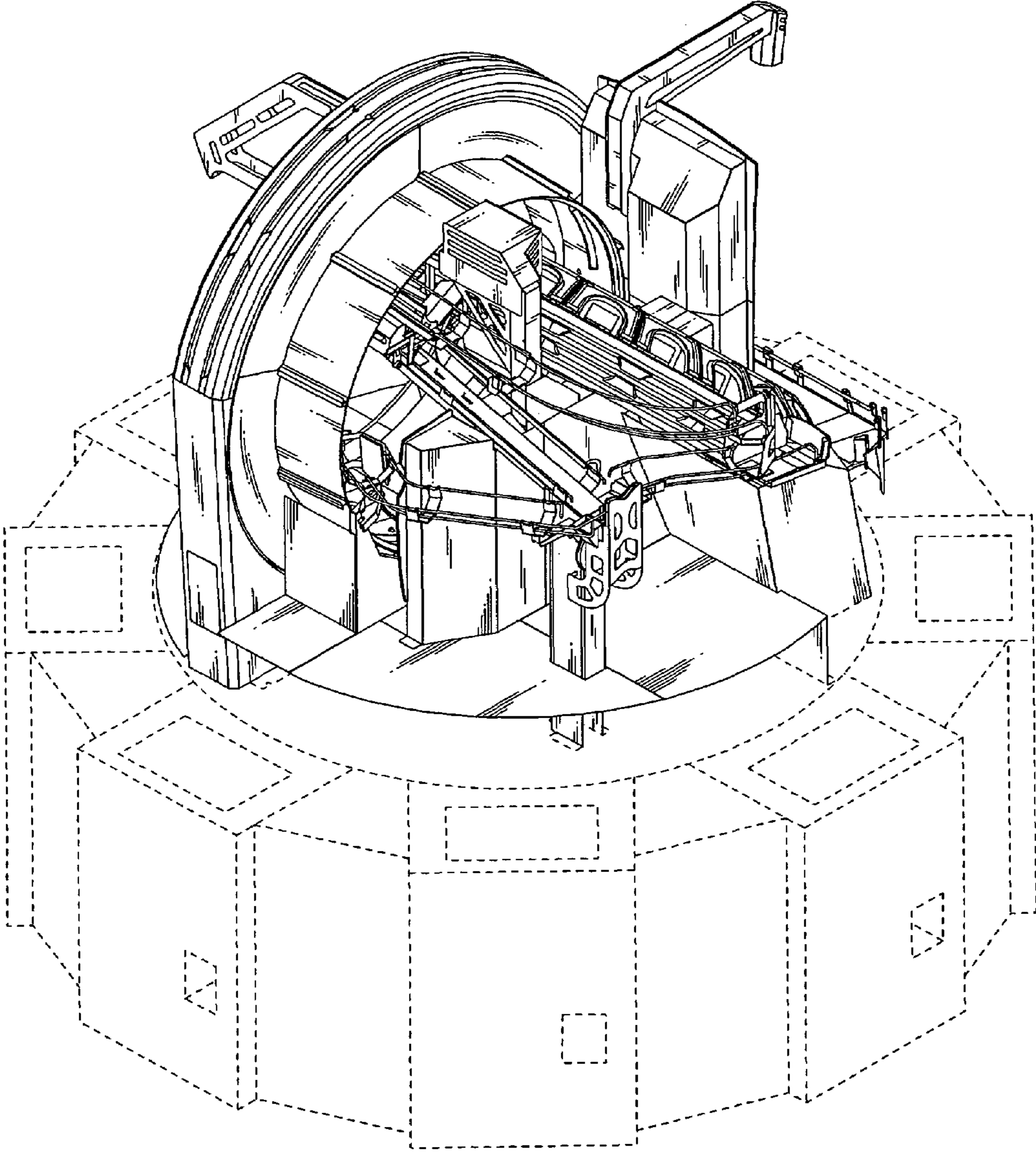


FIG.2

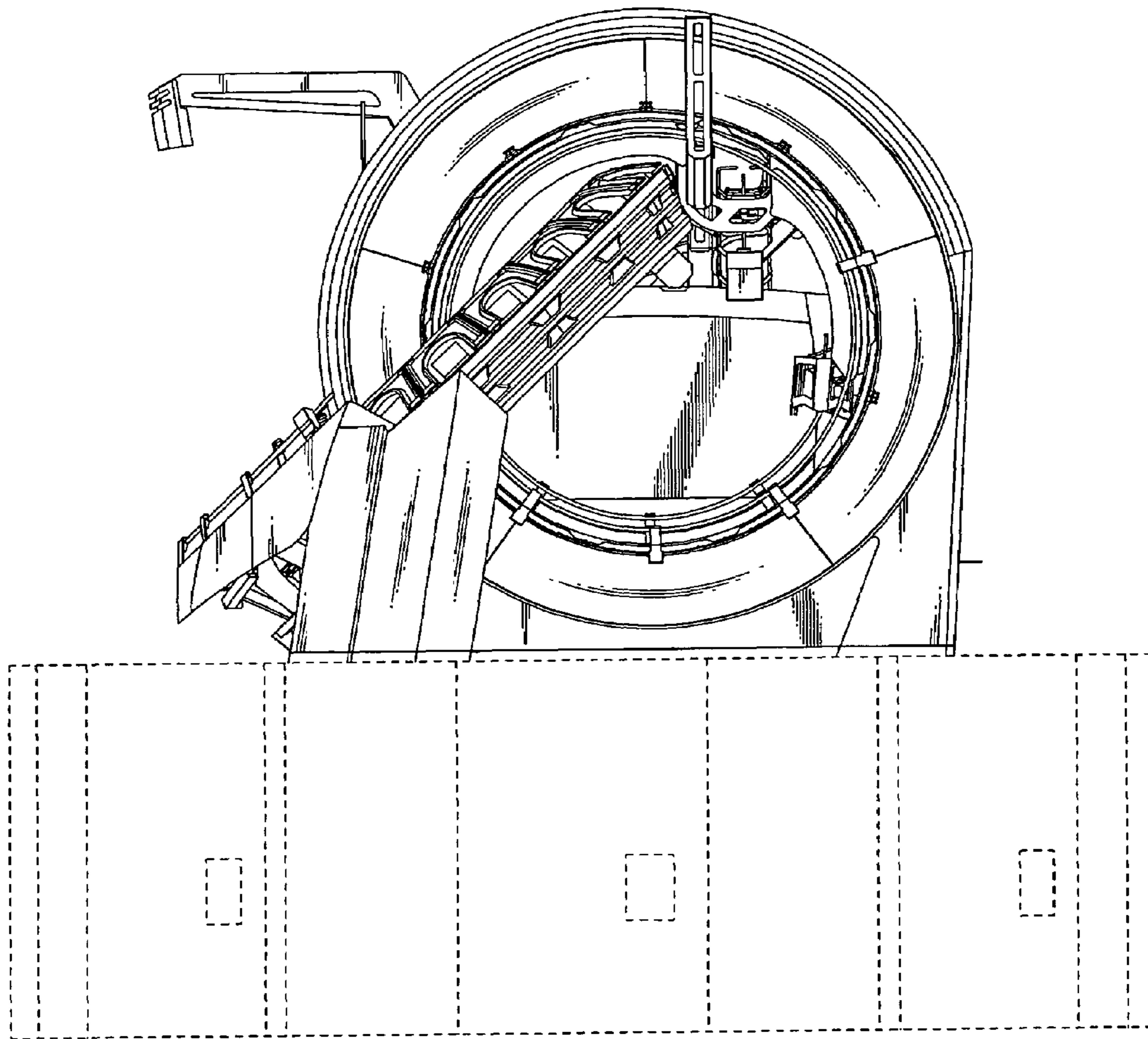


FIG.3

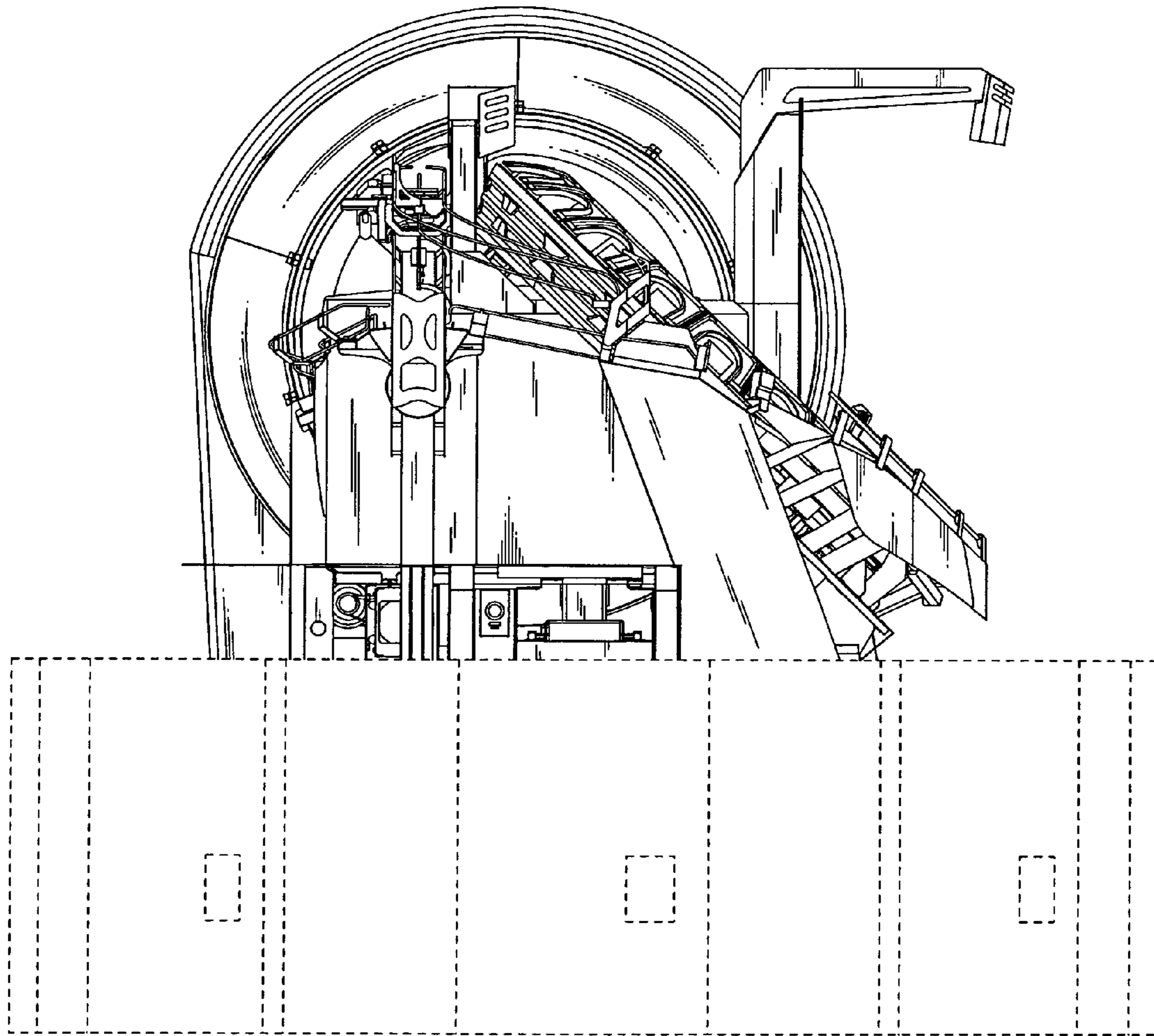


FIG.4

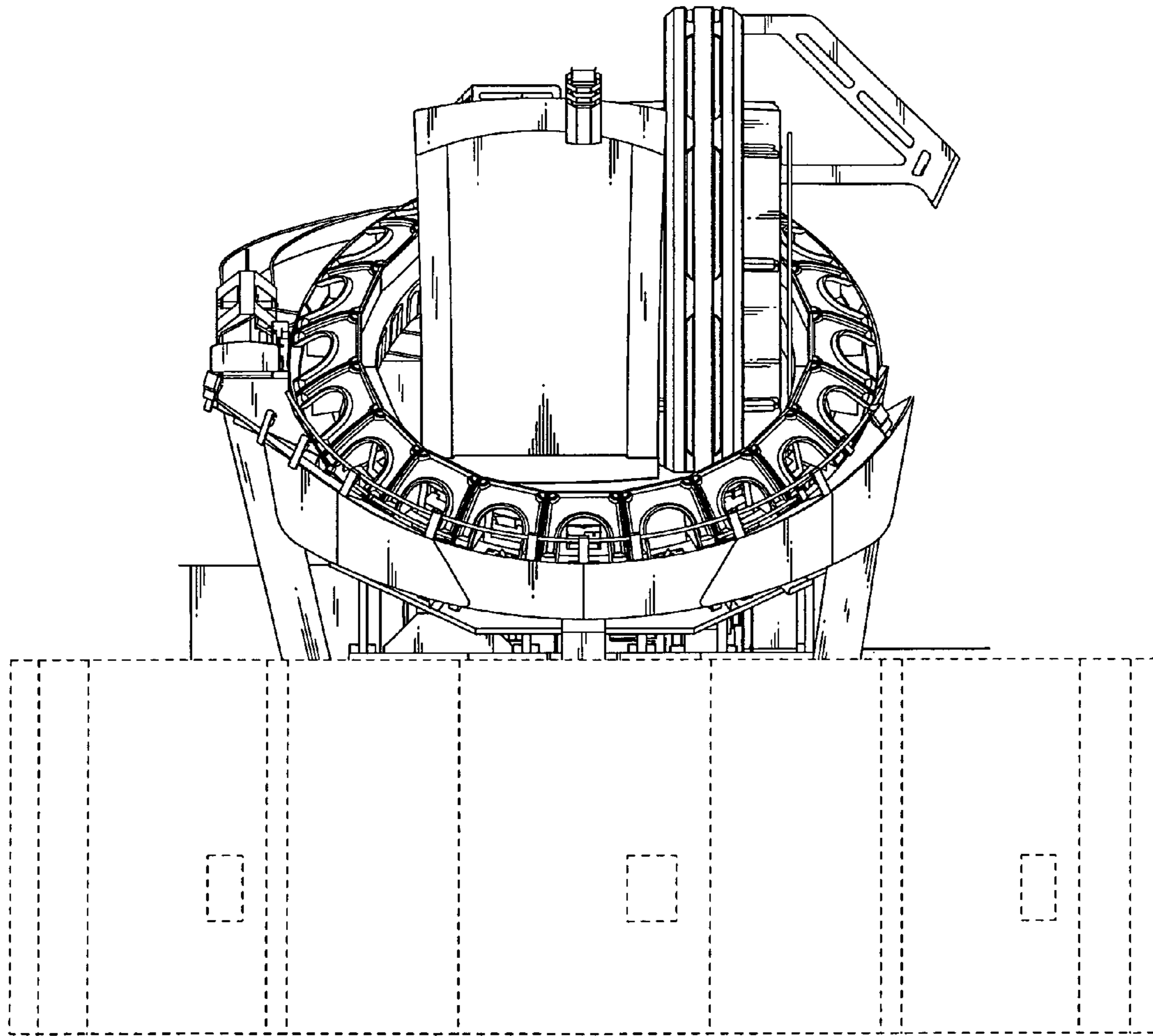


FIG.5

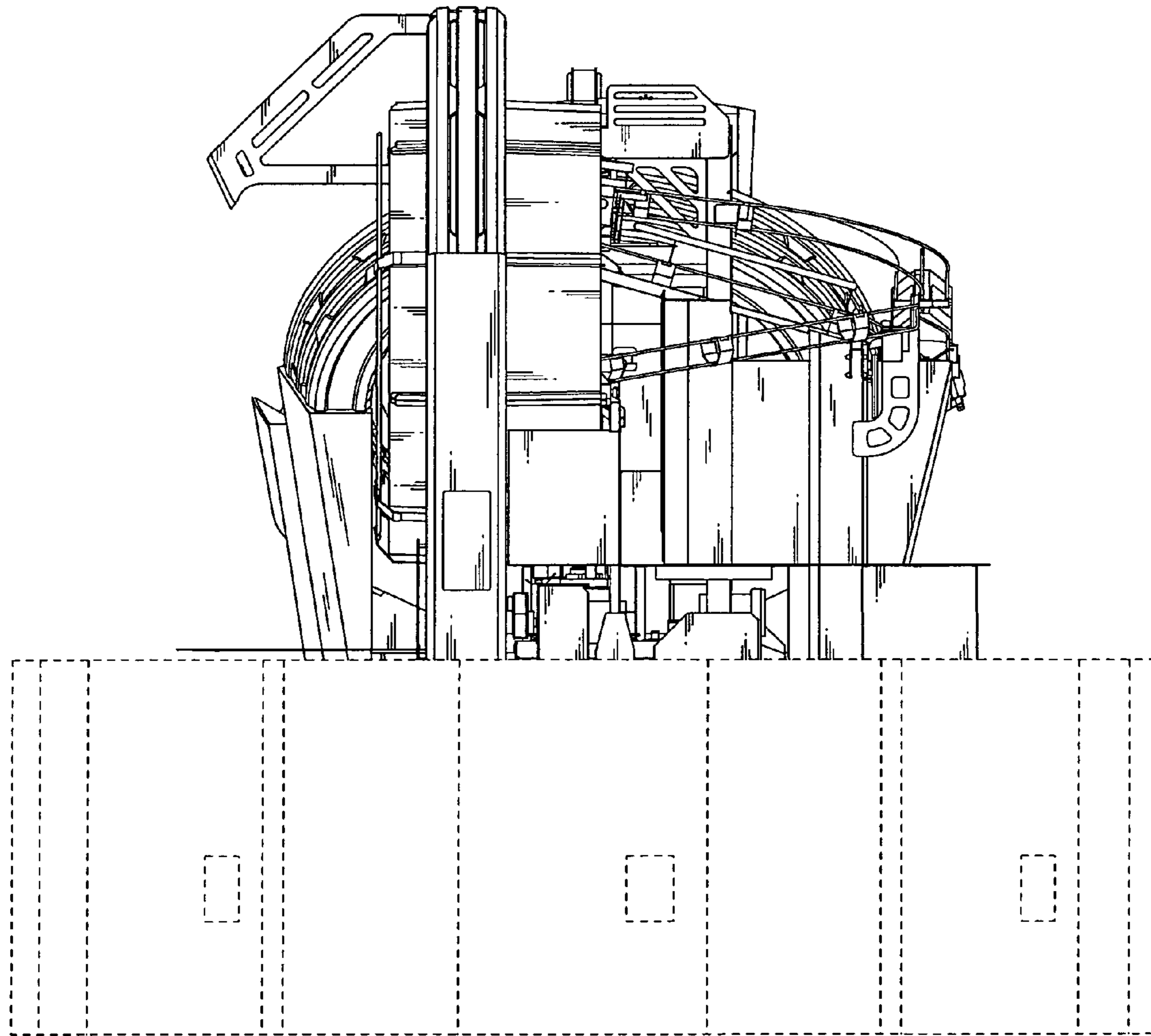


FIG.6

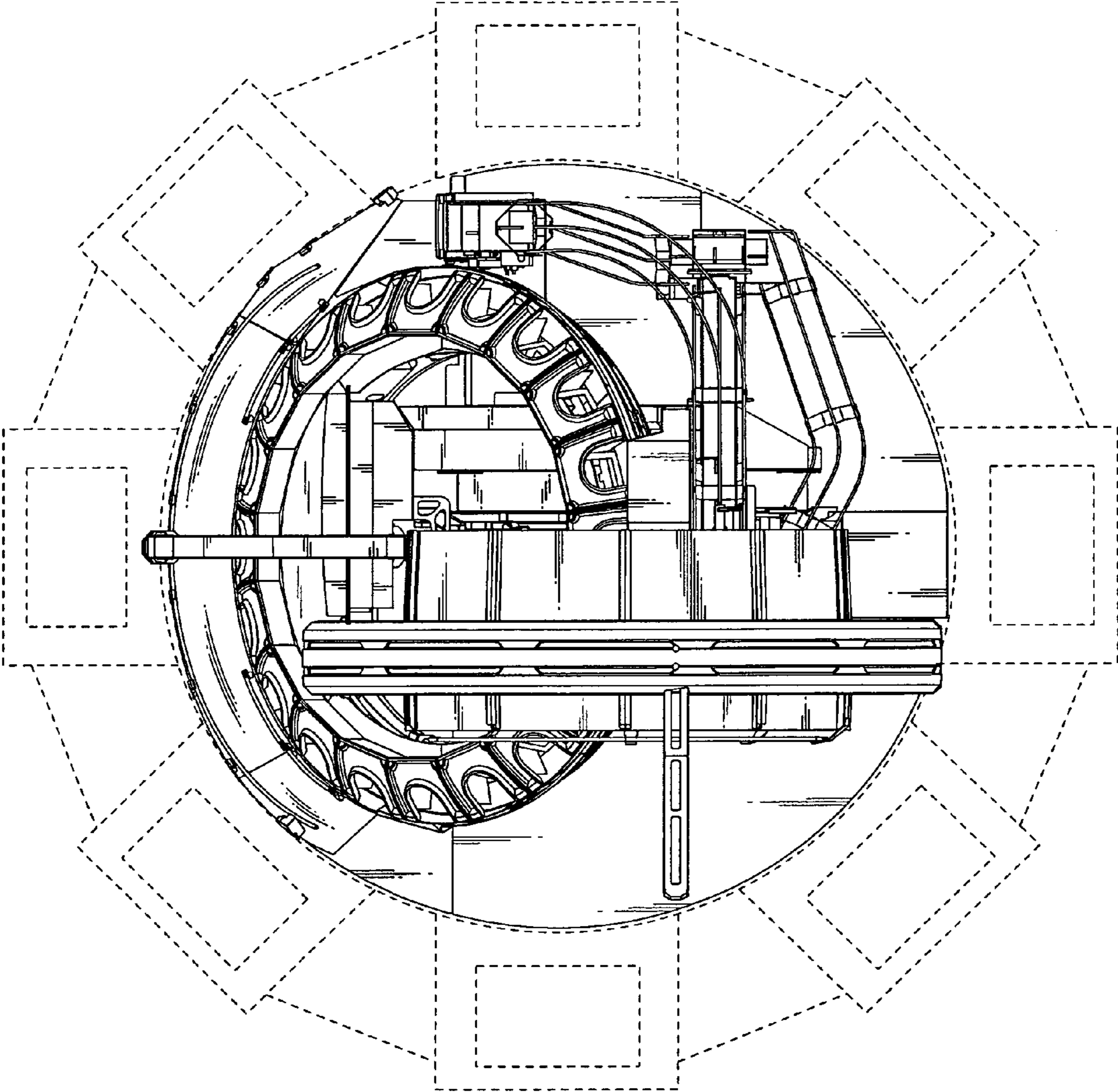


FIG.7

FIG. 8

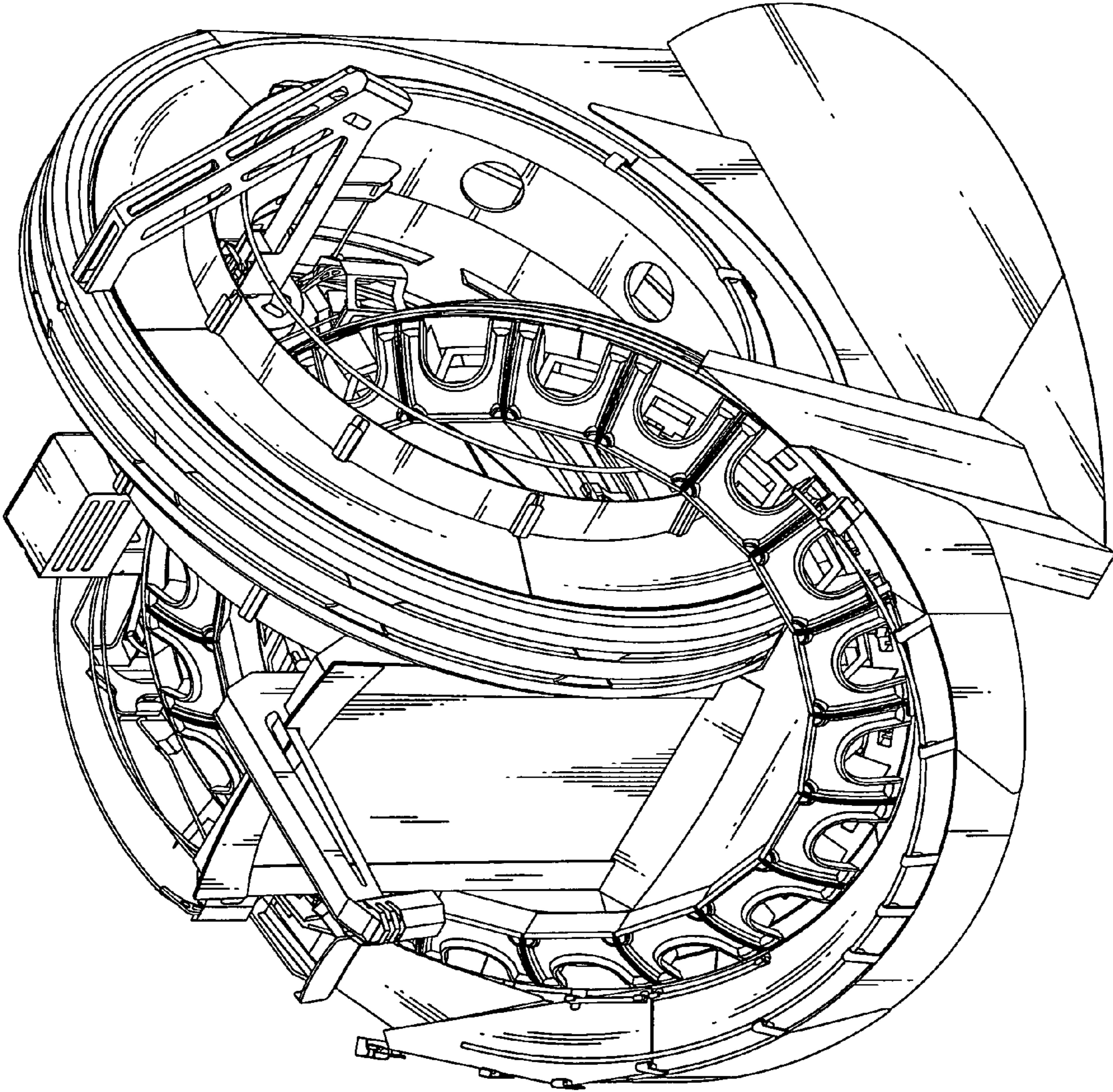


FIG.9

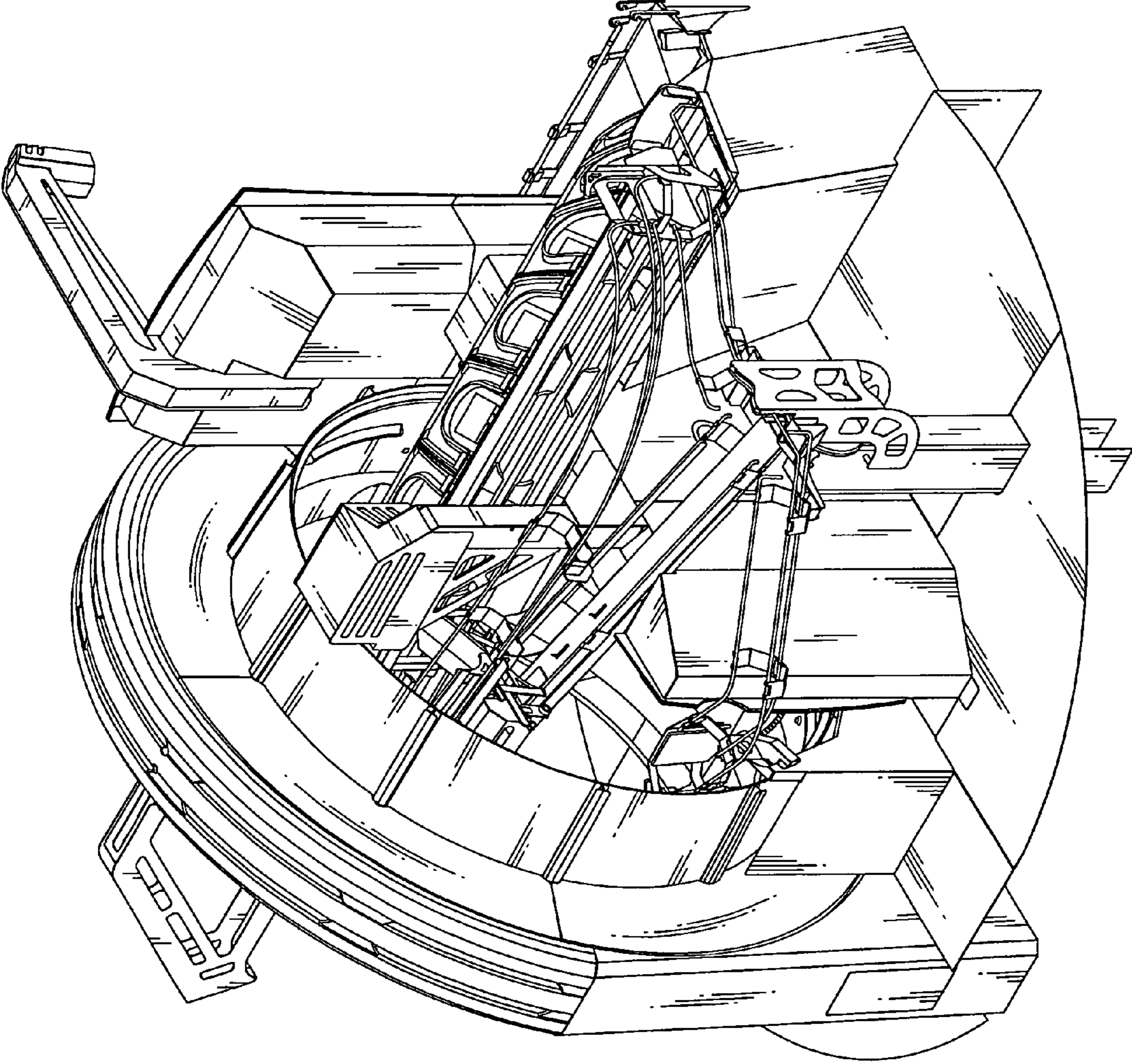


FIG.10

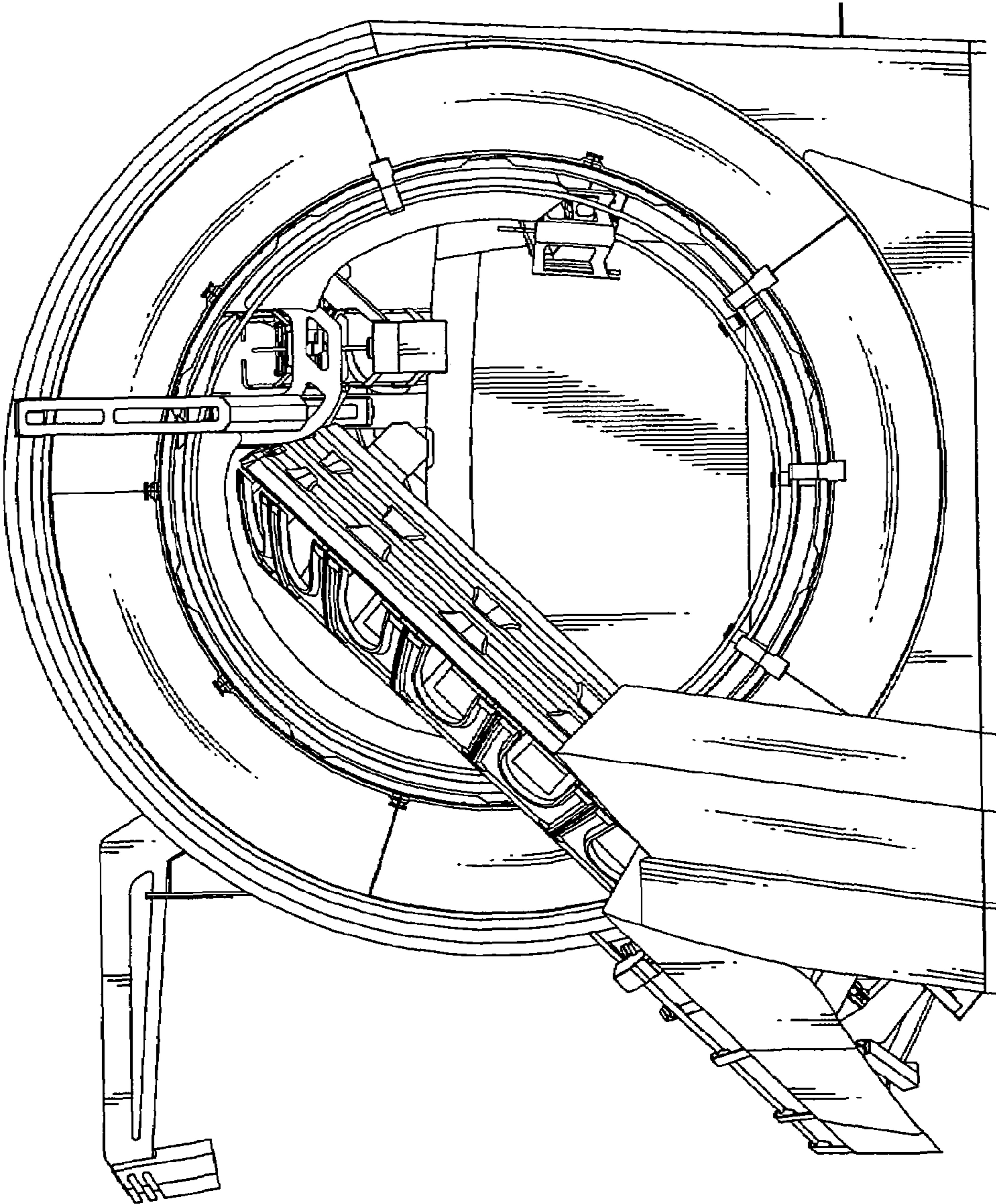


FIG.11

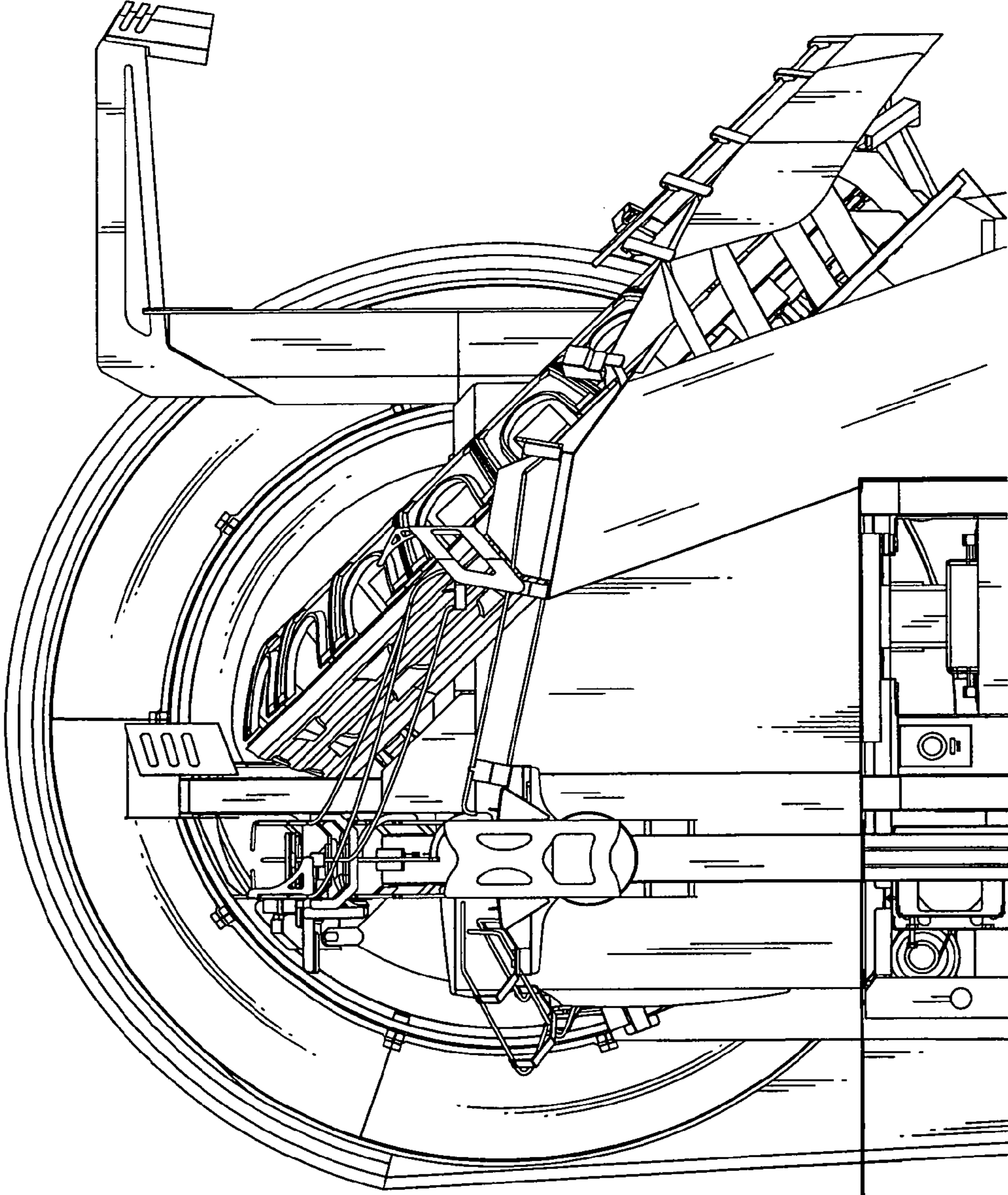


FIG.12

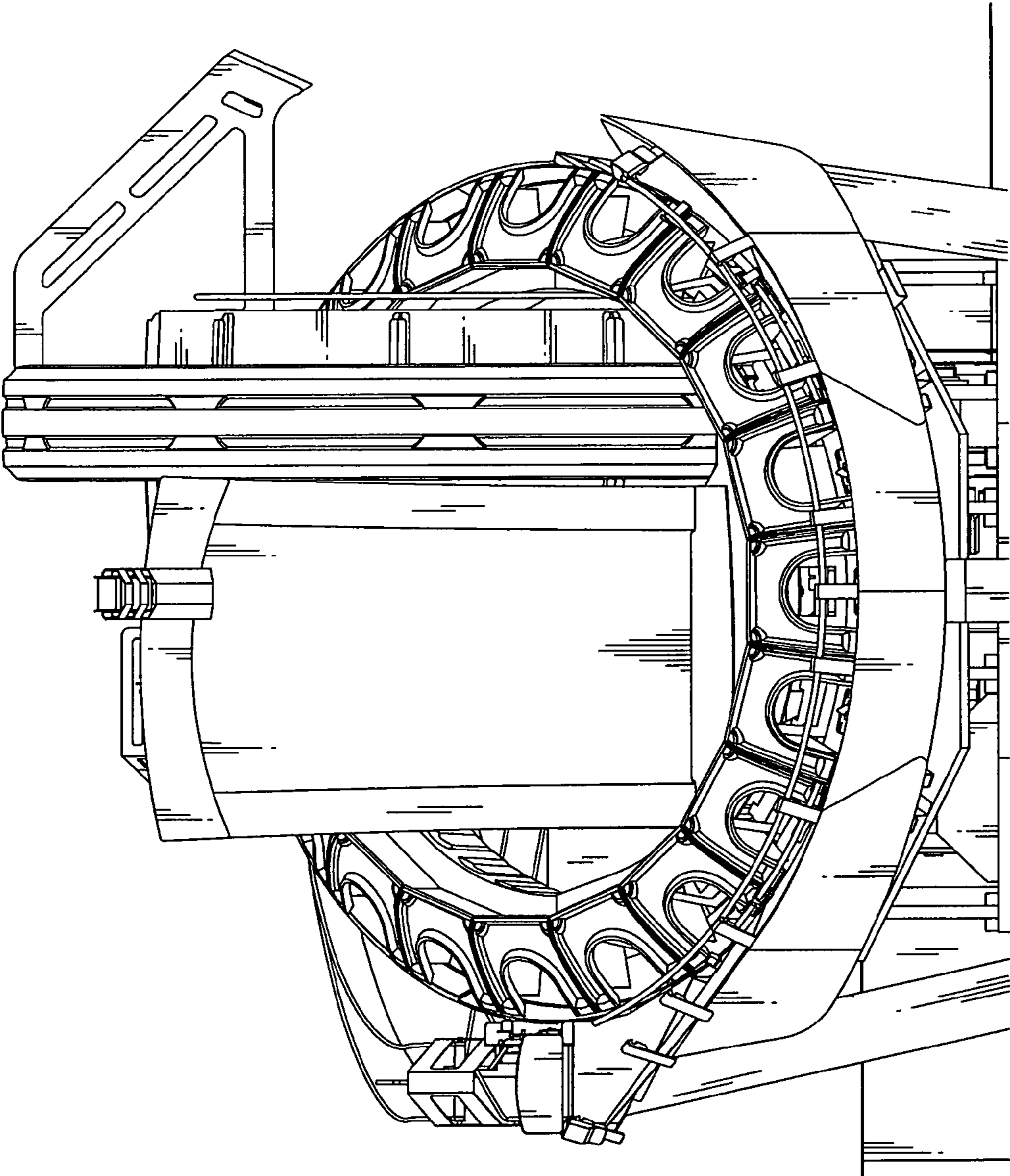


FIG.13

