



US00D614243S

(12) **United States Design Patent**  
**Inuyama et al.**

(10) **Patent No.:** **US D614,243 S**  
(45) **Date of Patent:** **\*\* Apr. 20, 2010**

(54) **GAME DEVICE**

(75) Inventors: **Keigo Inuyama**, Tokyo (JP); **Tadashi Nagamatsu**, Elk Grove Village, IL (US)

(73) Assignee: **Kabushiki Kaisha Sega**, Tokyo (JP)

(\*\*) Term: **14 Years**

(21) Appl. No.: **29/333,496**

(22) Filed: **Mar. 10, 2009**

(51) **LOC (9) Cl.** ..... **21-01**

(52) **U.S. Cl.** ..... **D21/325**

(58) **Field of Classification Search** ..... D21/324,  
D21/328, 333, 307, 308, 369; 273/148 B,  
273/407, 408, 317, 348, 237, 287, 138.2,  
273/459, 460; 463/1, 2, 46-57; 206/315.3,  
206/315.11

See application file for complete search history.

(56) **References Cited**

**U.S. PATENT DOCUMENTS**

5,813,914	A *	9/1998	McKay et al.	.....	463/46
5,851,147	A *	12/1998	Stupak et al.	.....	463/13
D411,582	S *	6/1999	Muraki et al.	.....	D21/325
D472,936	S *	4/2003	Ohtomi et al.	.....	D21/325
D508,269	S *	8/2005	Wichinsky	.....	D21/369
D510,128	S *	9/2005	Gilbert	.....	D23/252

D541,875	S *	5/2007	Wada	.....	D21/326
D545,912	S *	7/2007	Nunokawa	.....	D21/326
D562,409	S *	2/2008	Shoui et al.	.....	D21/325
D568,408	S *	5/2008	Ibaraki et al.	.....	D21/326
D605,232	S *	12/2009	Nagamatsu	.....	D21/325

\* cited by examiner

*Primary Examiner*—Prabhakar Deshmukh

(74) *Attorney, Agent, or Firm*—Dickstein Shapiro LLP

(57) **CLAIM**

The ornamental design for the game device, as shown and described.

**DESCRIPTION**

FIG. 1 is a front, top and right side perspective view of our new design for a game device;

FIG. 2 is a front elevational view of the game device of FIG. 1;

FIG. 3 is a rear elevational view of the game device of FIG. 1;

FIG. 4 is a left side elevational view of the game device of FIG. 1;

FIG. 5 is a right side elevational view of the game device of FIG. 1;

FIG. 6 is a top plan view of the game device of FIG. 1; and,

FIG. 7 is a bottom plan view of the game device of FIG. 1.

**1 Claim, 7 Drawing Sheets**

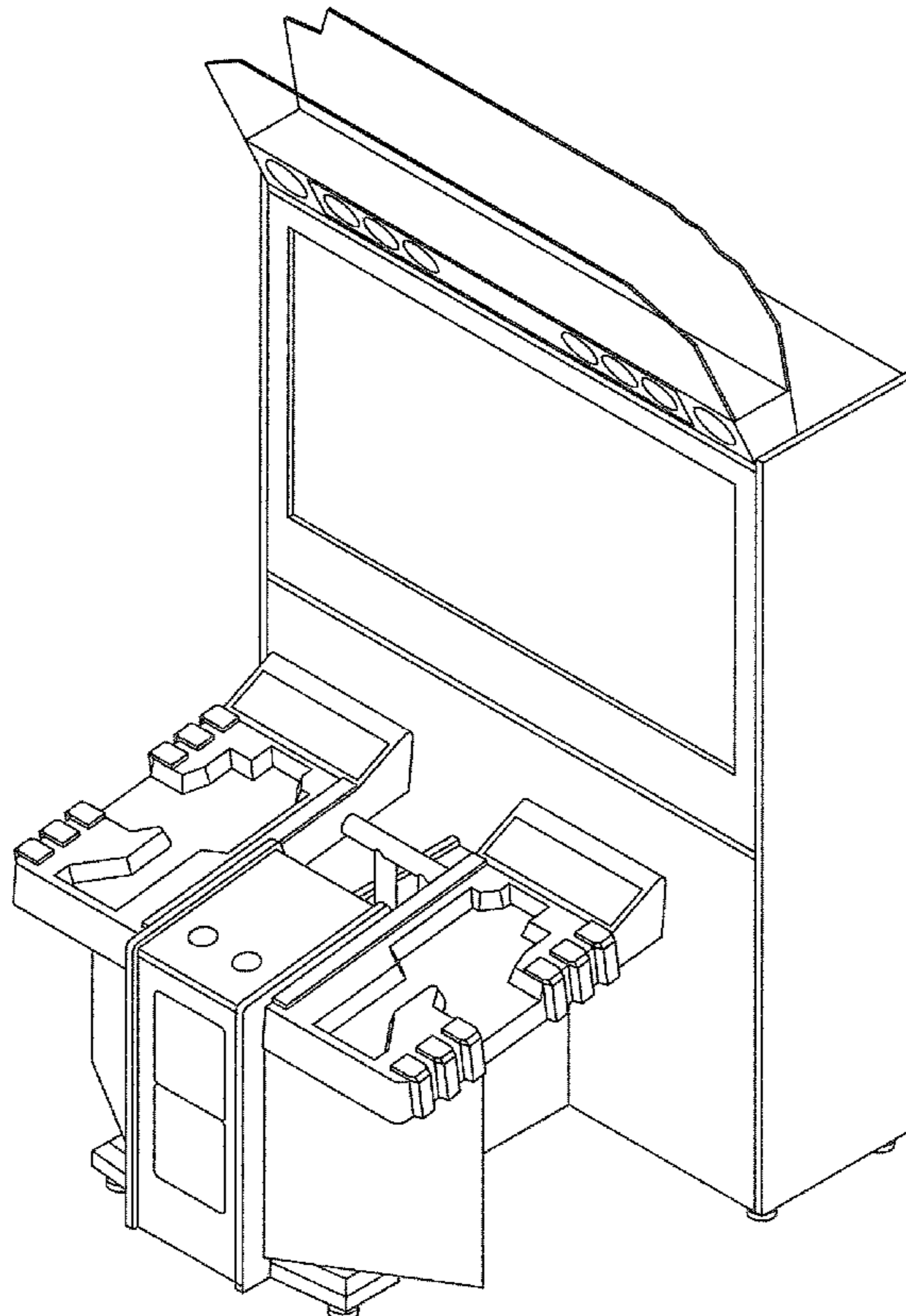


FIG. 1

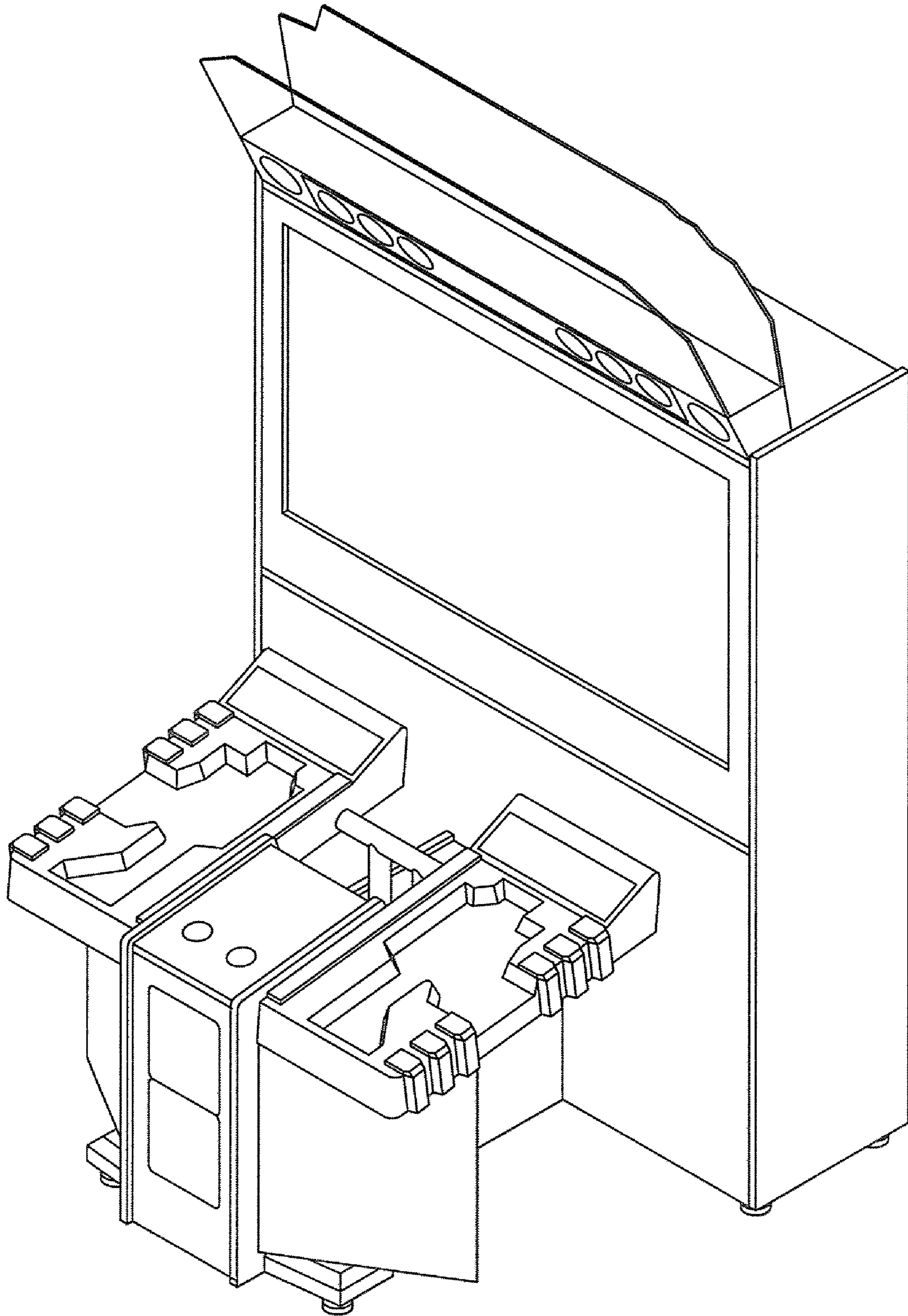


FIG.2

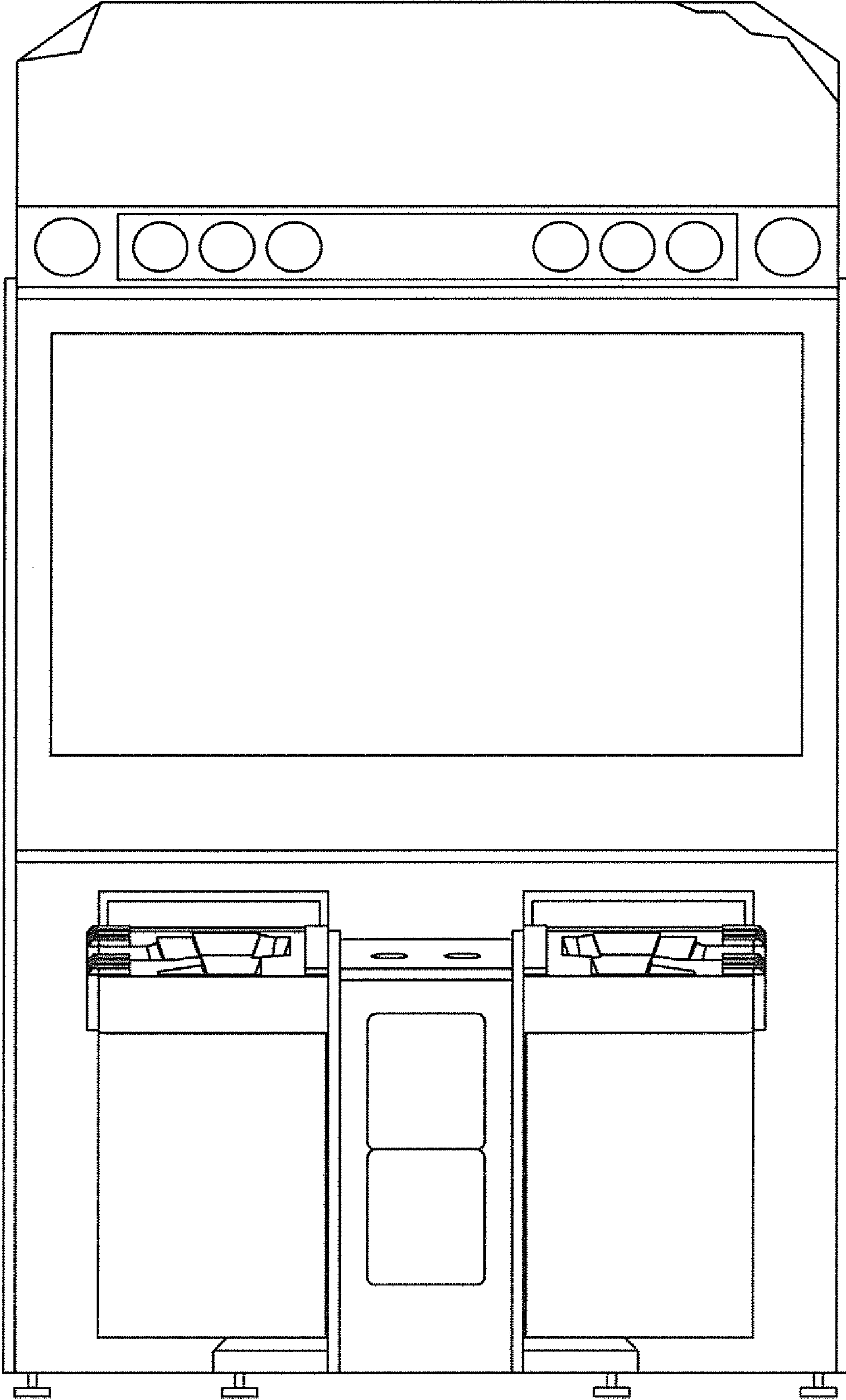


FIG.3

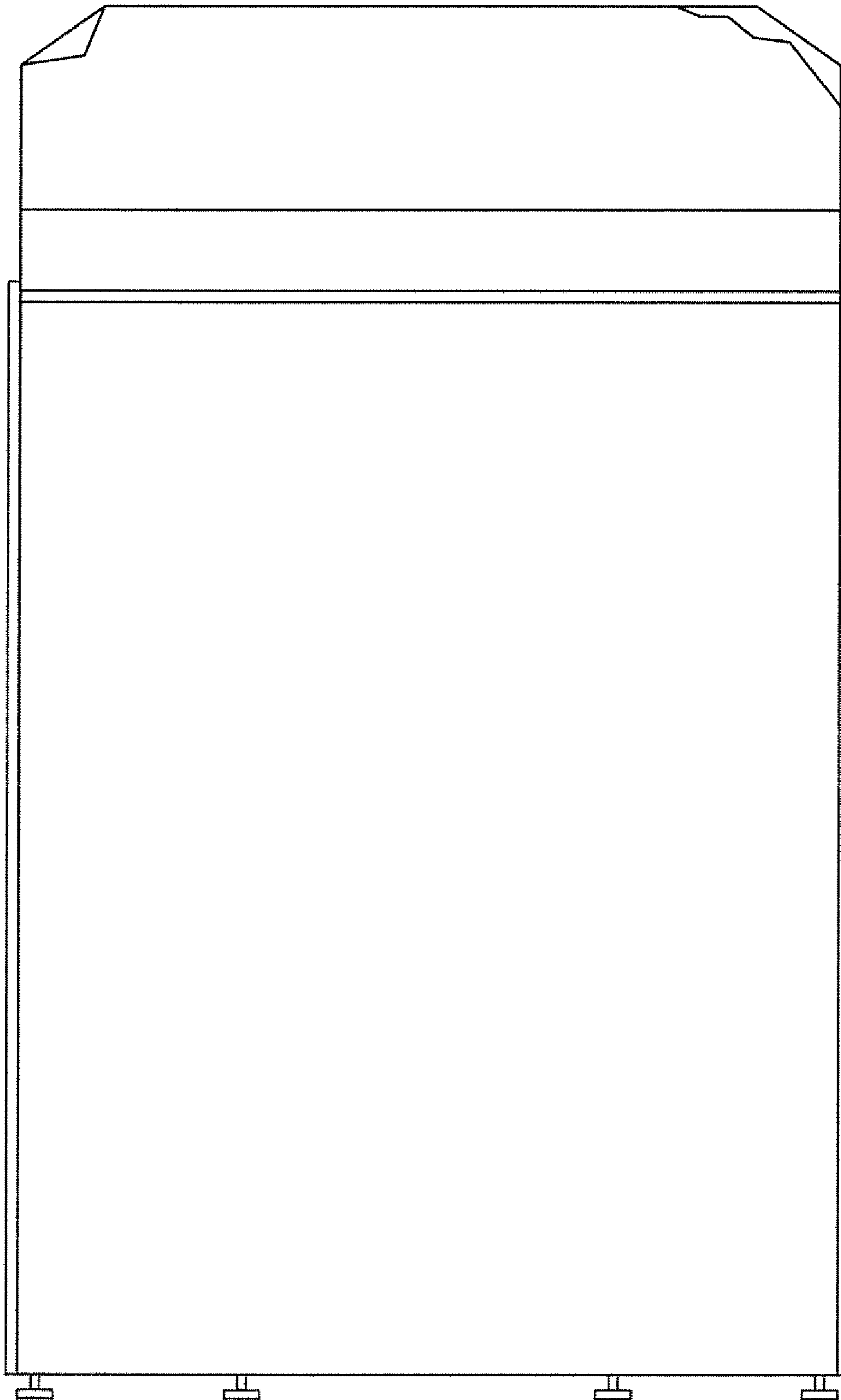


FIG.4

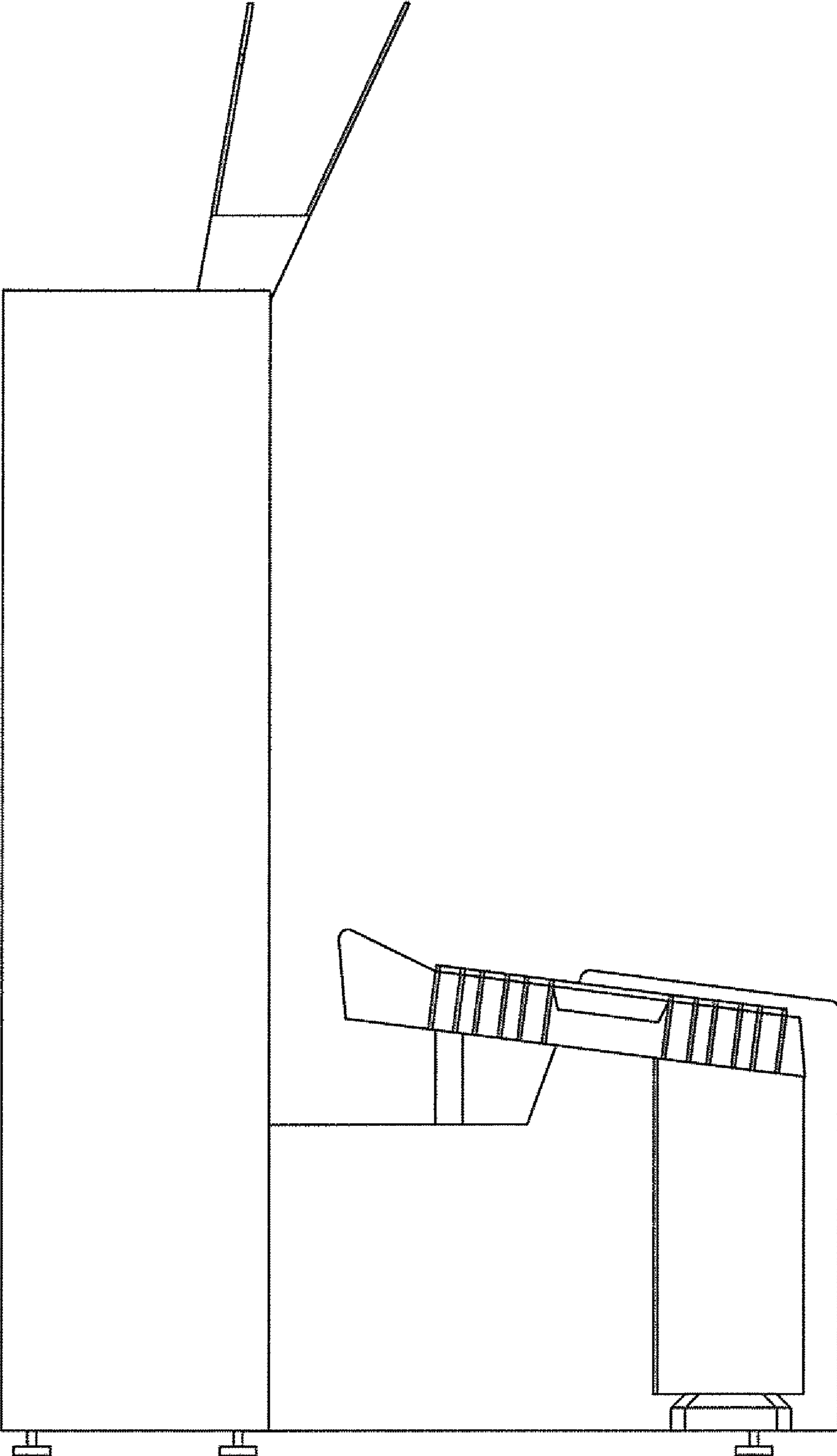


FIG.5

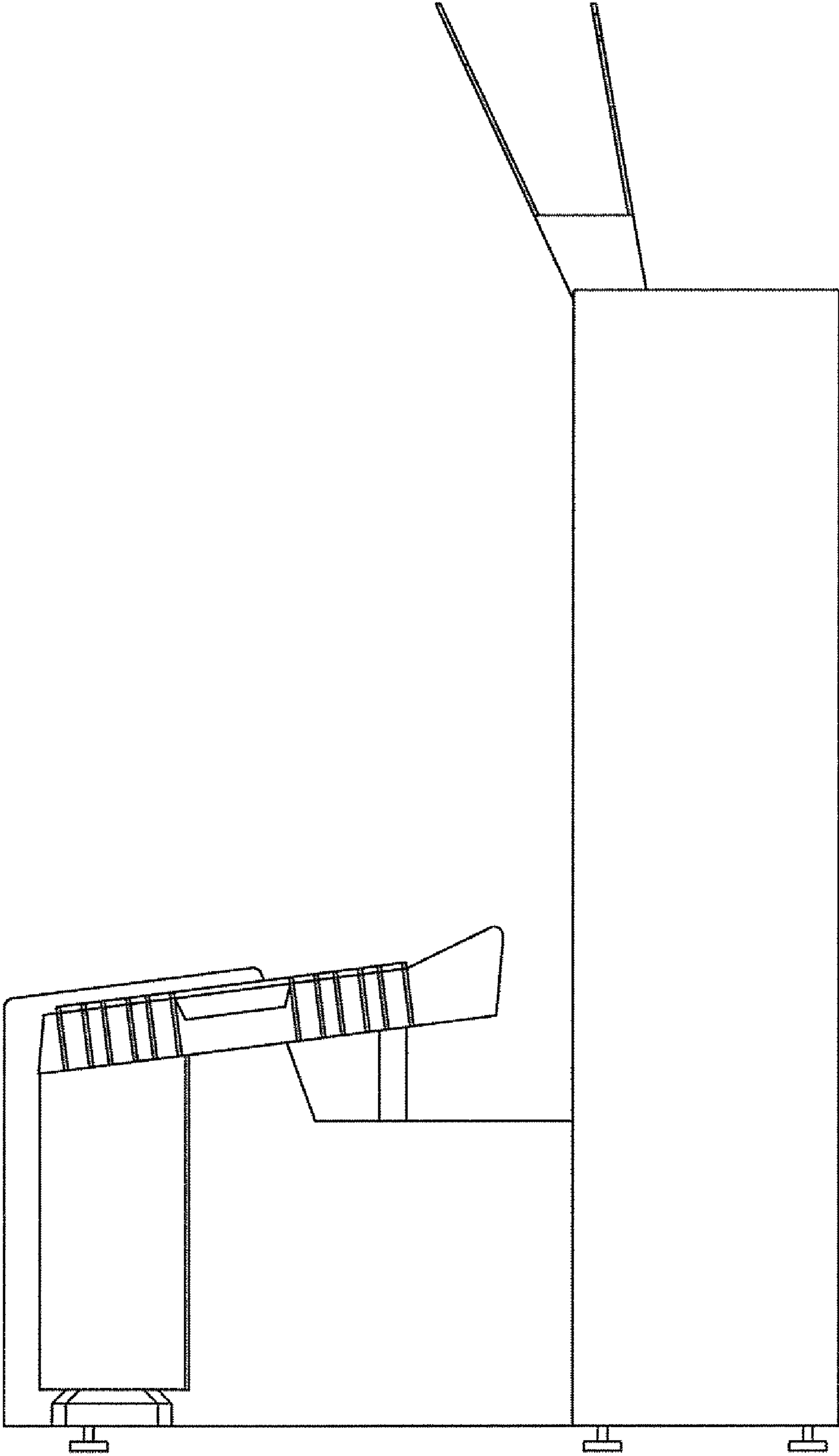


FIG.6

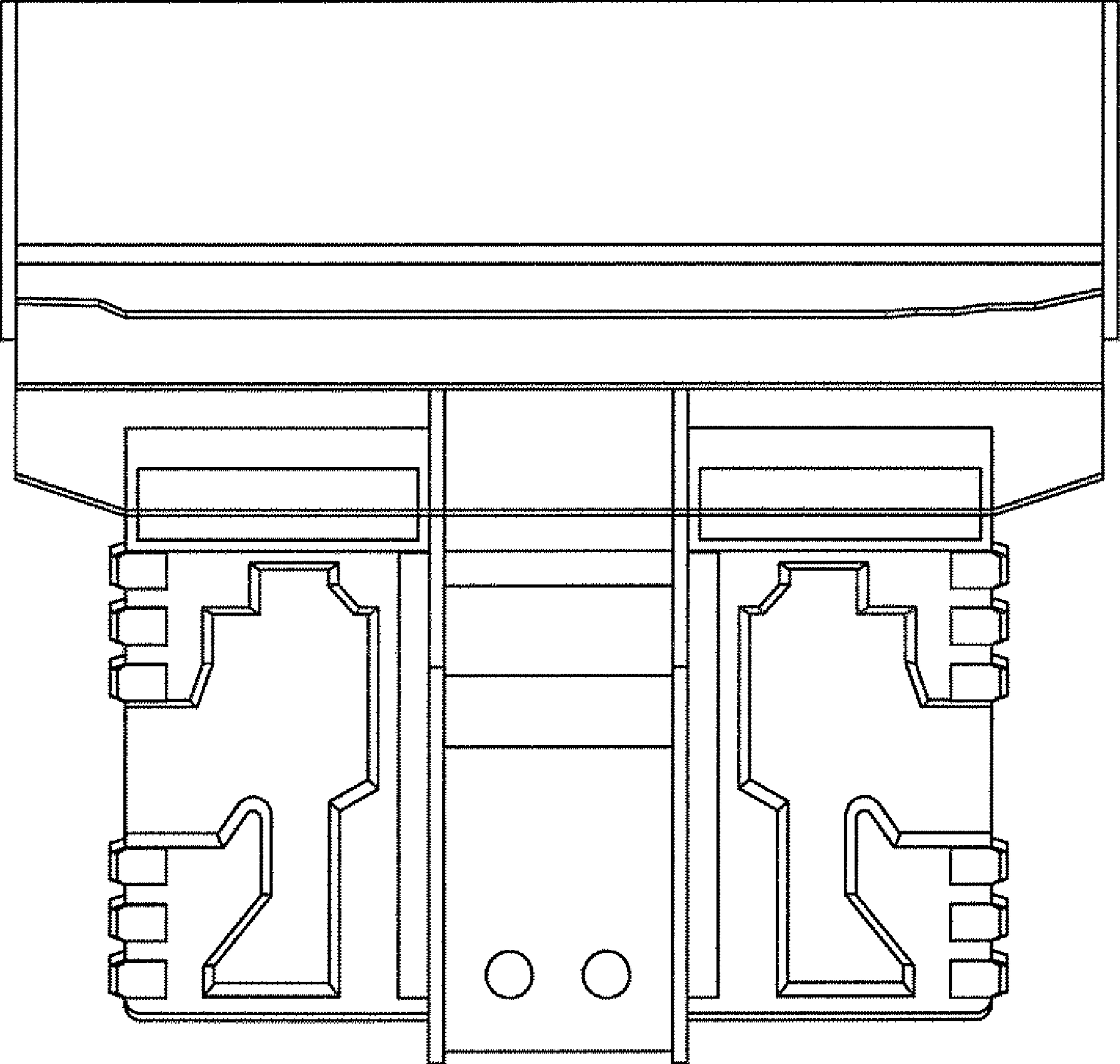


FIG.7

