



US00D614240S

(12) **United States Design Patent**
Garfinkle et al.

(10) **Patent No.:** **US D614,240 S**
(45) **Date of Patent:** **** Apr. 20, 2010**

(54) **TAG HOLDER WITH WINDOW**

(76) Inventors: **Benjamin L. Garfinkle**, 1120 Portal Ave., Piedmont, CA (US) 94610; **Manu B Makhija**, 25119 Valley Oak Dr., Castro Valley, CA (US) 94552

(**) Term: **14 Years**

(21) Appl. No.: **29/342,490**

(22) Filed: **Aug. 26, 2009**

(51) **LOC (9) Cl.** **20-03**

(52) **U.S. Cl.** **D20/44**

(58) **Field of Classification Search** D20/10,
D20/43, 44, 99; 40/626, 642.02, 644, 649-652,
40/658, 661, 661.03, 661.06, 661.11, 662;
D25/119, 121, 122; 235/383; 248/222.12

See application file for complete search history.

(56) **References Cited**

U.S. PATENT DOCUMENTS

D289,780 S * 5/1987 Kenney D20/44
D297,654 S * 9/1988 Orsos D20/44
D415,208 S * 10/1999 Hammar D20/44
6,000,611 A * 12/1999 Dalton et al. 235/383
D425,566 S * 5/2000 Mueller et al. D20/43
6,698,701 B1 * 3/2004 Dalton 248/222.12
D504,160 S * 4/2005 Abramson D20/44
D510,602 S * 10/2005 Wasilko D20/44

D512,104 S * 11/2005 Lowry D20/44
D513,280 S * 12/2005 Kosir D20/44
D514,166 S * 1/2006 Brinkman D20/44
D580,992 S * 11/2008 Garfinkle D20/43
2006/0143962 A1 * 7/2006 Fast et al. 40/642.02
2007/0245611 A1 * 10/2007 McDonald 40/661.03

* cited by examiner

Primary Examiner—Janice E Seeger

Assistant Examiner—Mary Ann Calabrese

(74) *Attorney, Agent, or Firm*—Bay Area Technology Law Group PC

(57) **CLAIM**

The ornamental design for a tag holder with window, as shown and described.

DESCRIPTION

FIG. 1 is a perspective view of a tag holder with window showing our new design;

FIG. 2 is a left side view of the tag holder with window;

FIG. 3 is a right side view thereof;

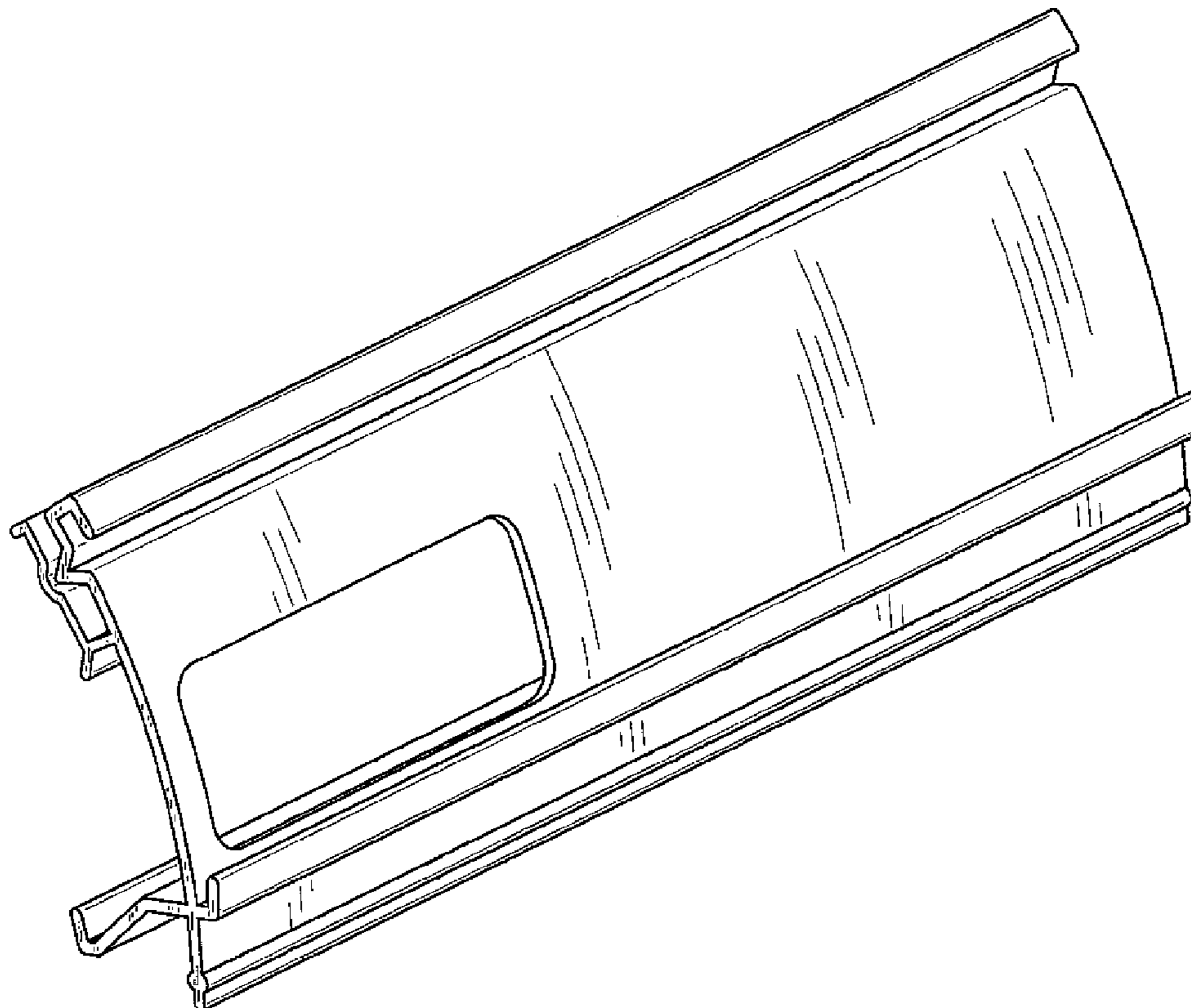
FIG. 4 is a front view thereof;

FIG. 5 is a back view thereof;

FIG. 6 is a top view thereof; and,

FIG. 7 is a bottom view thereof.

1 Claim, 2 Drawing Sheets



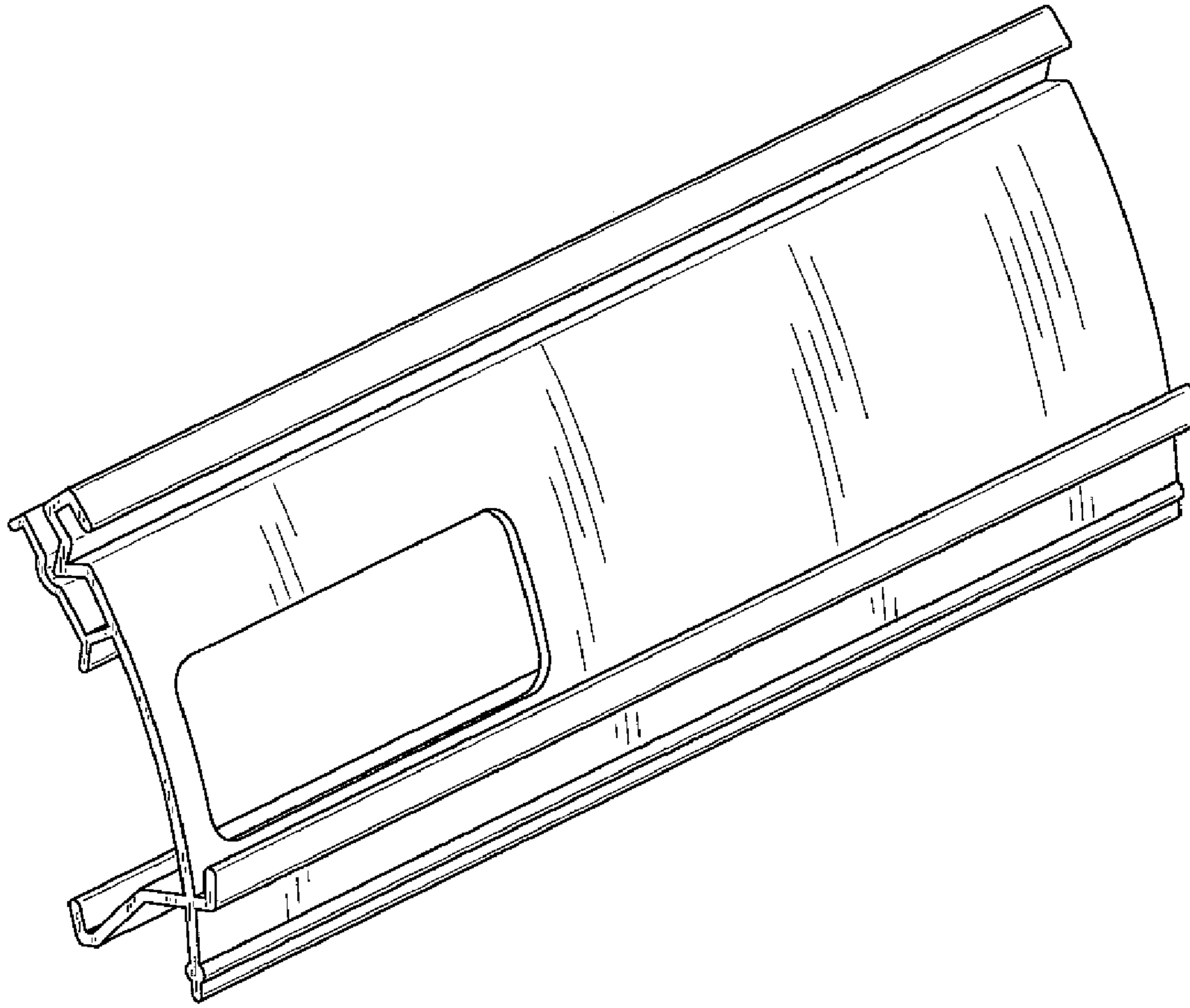


FIG. 1



FIG. 2

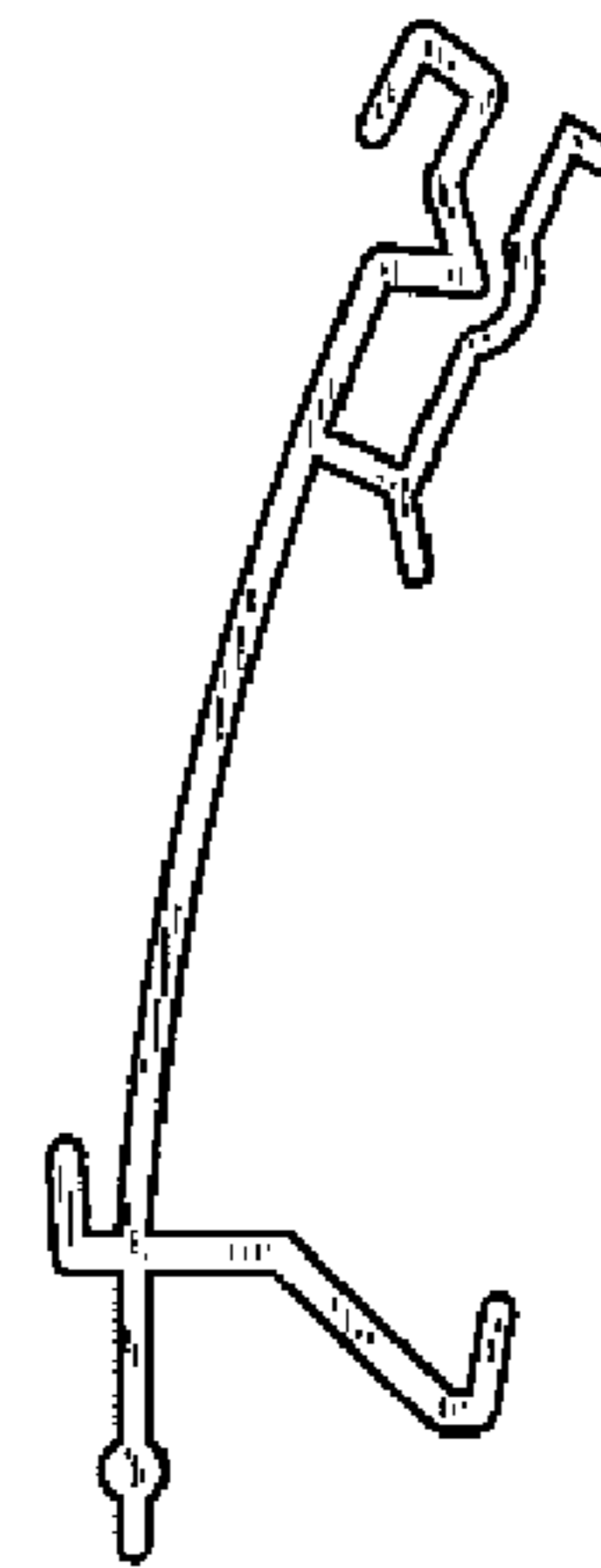


FIG. 3

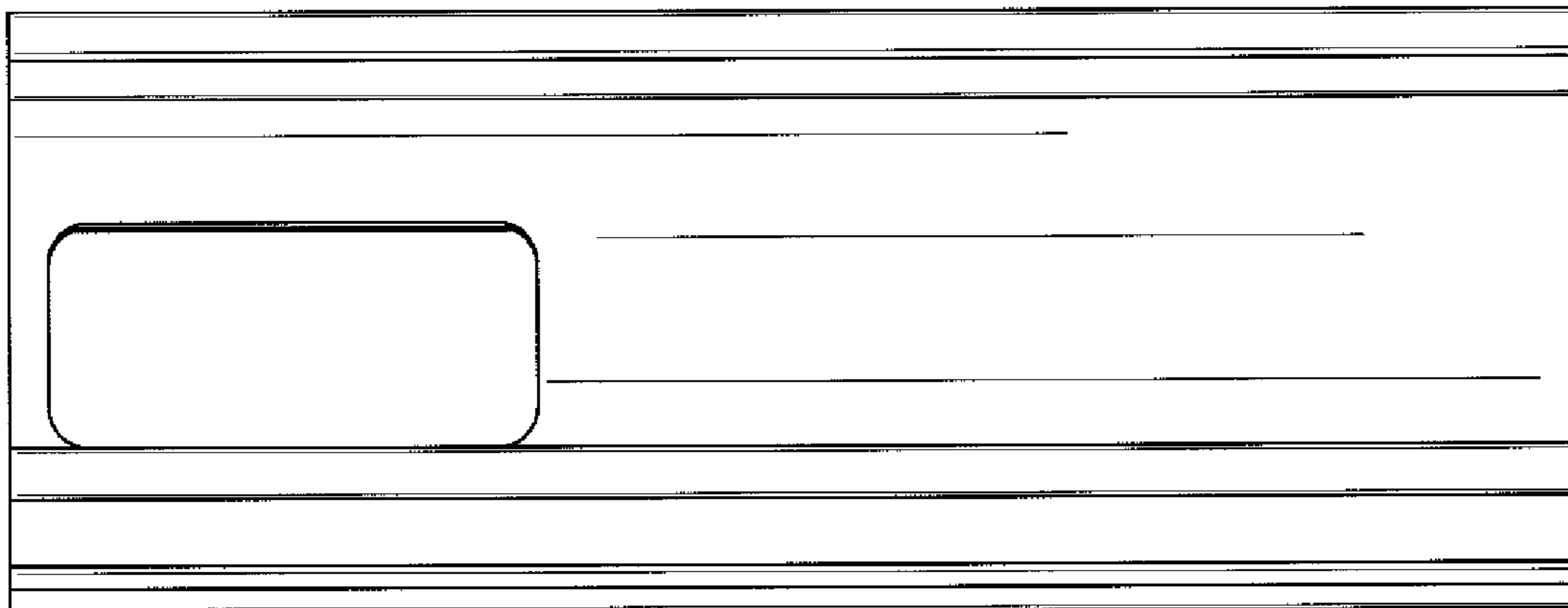


FIG. 4

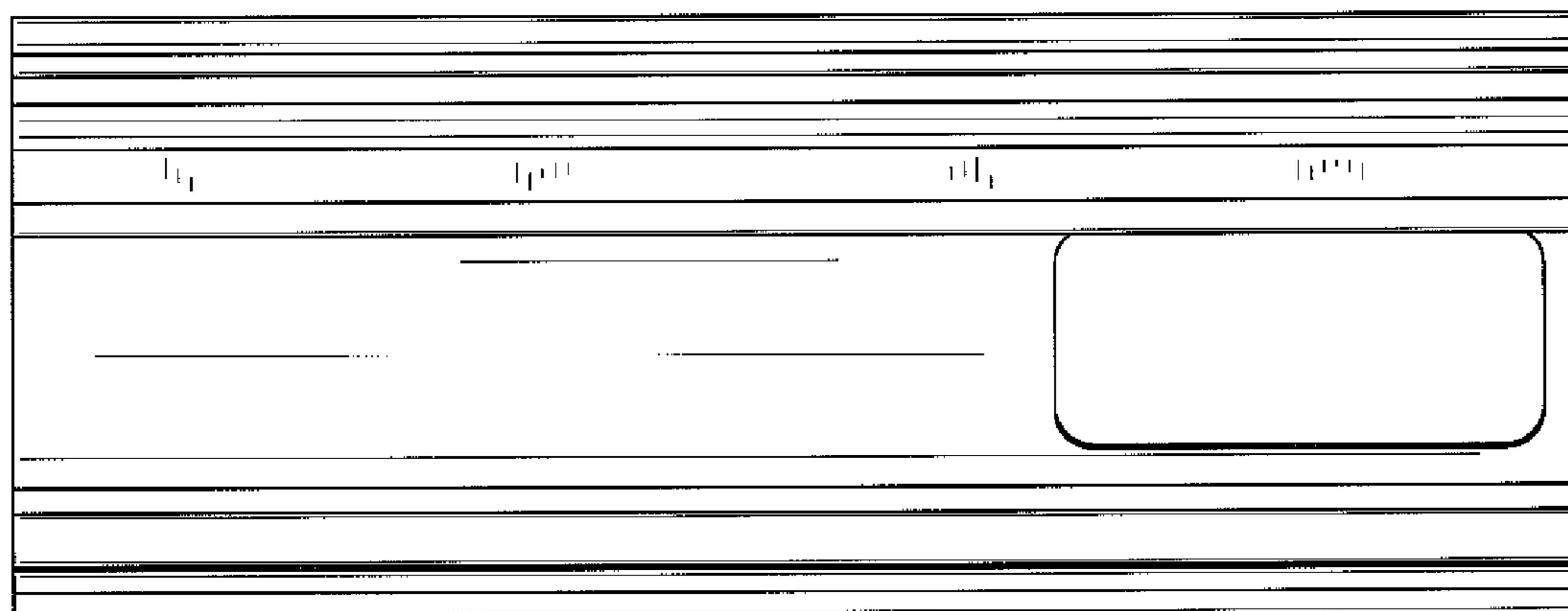


FIG. 5

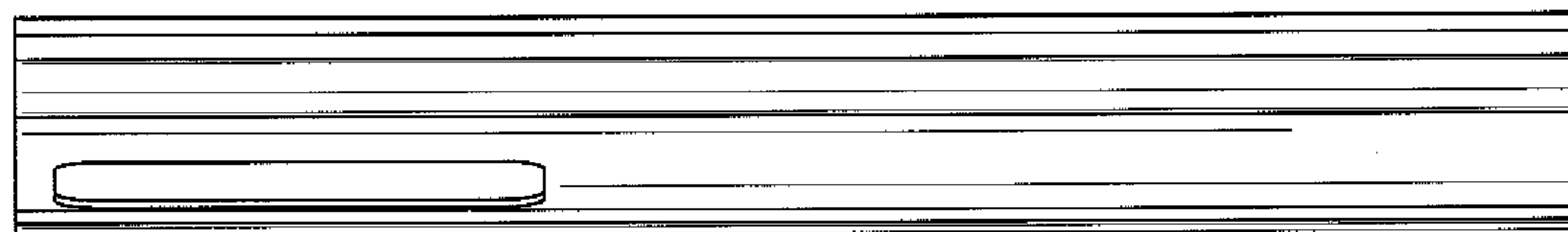


FIG. 6

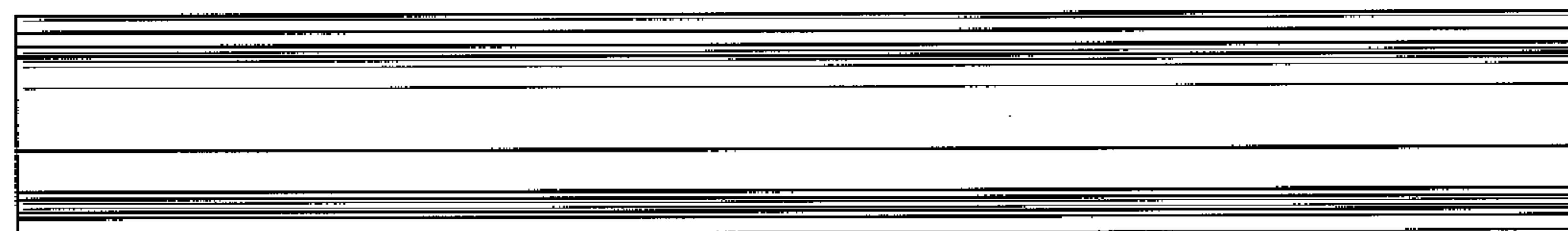


FIG. 7