



US00D614239S

(12) **United States Design Patent**
Garfinkle et al.

(10) **Patent No.:** **US D614,239 S**

(45) **Date of Patent:** **** Apr. 20, 2010**

(54) **TAG HOLDER WITHOUT WINDOW**

(76) Inventors: **Benjamin L. Garfinkle**, 1120 Portal Ave., Piedmont, CA (US) 94610; **Manu B. Makhija**, 25119 Valley Oak Dr., Castro Valley, CA (US) 94552

(**) Term: **14 Years**

(21) Appl. No.: **29/342,488**

(22) Filed: **Aug. 26, 2009**

(51) **LOC (9) Cl.** **20-03**

(52) **U.S. Cl.** **D20/44**

(58) **Field of Classification Search** D20/10, D20/43, 44, 99; 40/626, 642.02, 644, 649-652, 40/658, 661.03, 661.06, 661.11, 661, 662; D25/119, 121, 122; 235/383; 248/222.12
See application file for complete search history.

(56) **References Cited**

U.S. PATENT DOCUMENTS

D289,780 S	*	5/1987	Kenney	D20/44
D297,654 S	*	9/1988	Orsos	D20/44
D425,566 S	*	5/2000	Mueller et al.	D20/43
D504,160 S	*	4/2005	Abramson	D20/44
D510,602 S	*	10/2005	Wasilko	D20/44
D512,104 S	*	11/2005	Lowry	D20/44

D513,280 S	*	12/2005	Kosir	D20/44
2006/0143962 A1	*	7/2006	Fast et al.	40/642.02
2007/0245611 A1	*	10/2007	McDonald	40/661.03

* cited by examiner

Primary Examiner—Janice E Seeger
Assistant Examiner—Mary Ann Calabrese
(74) *Attorney, Agent, or Firm*—Bay Area Technology Law Group PC

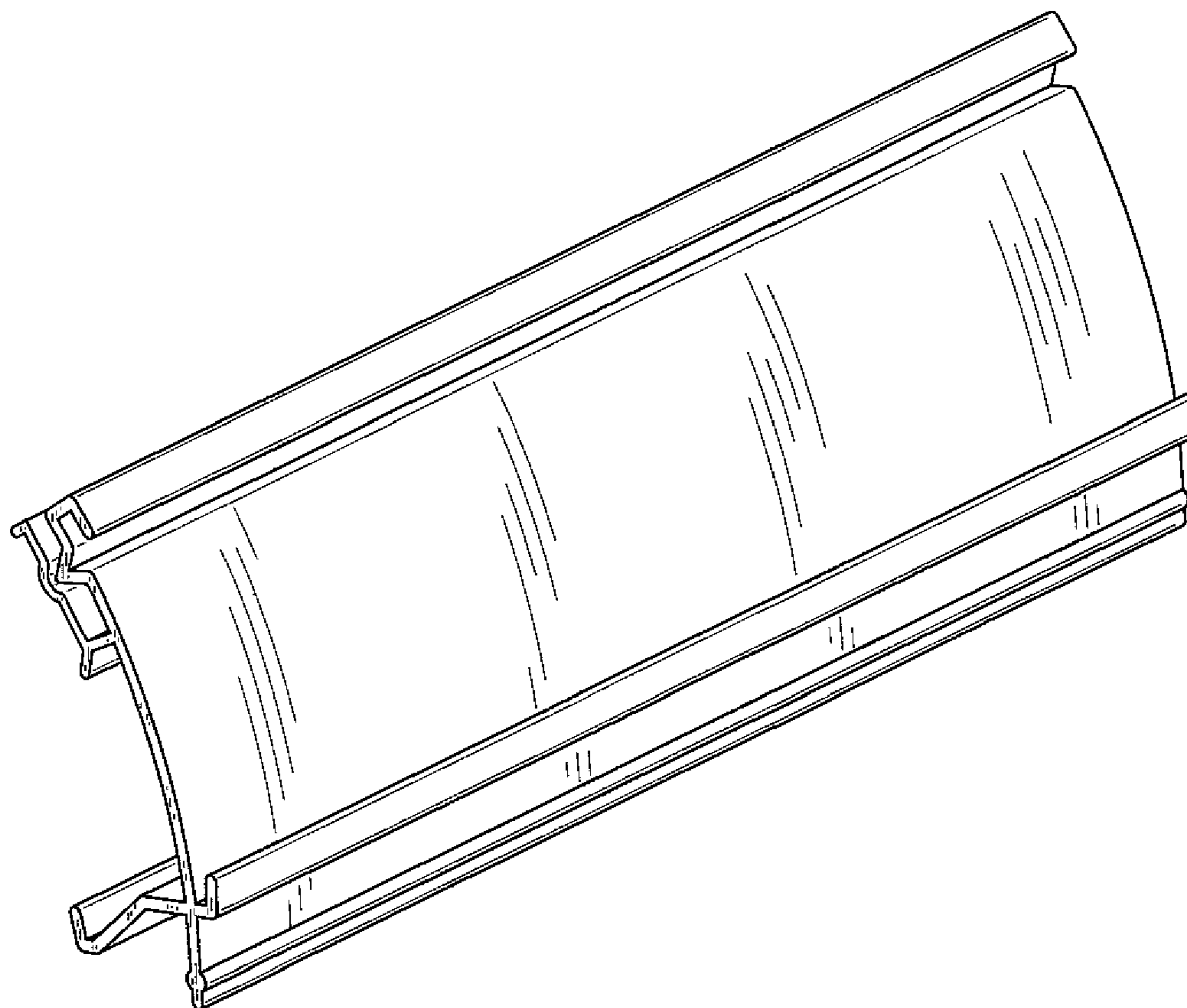
(57) **CLAIM**

The ornamental design for a tag holder without window, as shown and described.

DESCRIPTION

FIG. 1 is a perspective view of a tag holder without window showing our new design;
FIG. 2 is a left side view of the tag holder without window;
FIG. 3 is a right side view thereof;
FIG. 4 is a front view thereof;
FIG. 5 is a back view thereof;
FIG. 6 is a top view thereof; and,
FIG. 7 is a bottom view thereof.

1 Claim, 2 Drawing Sheets



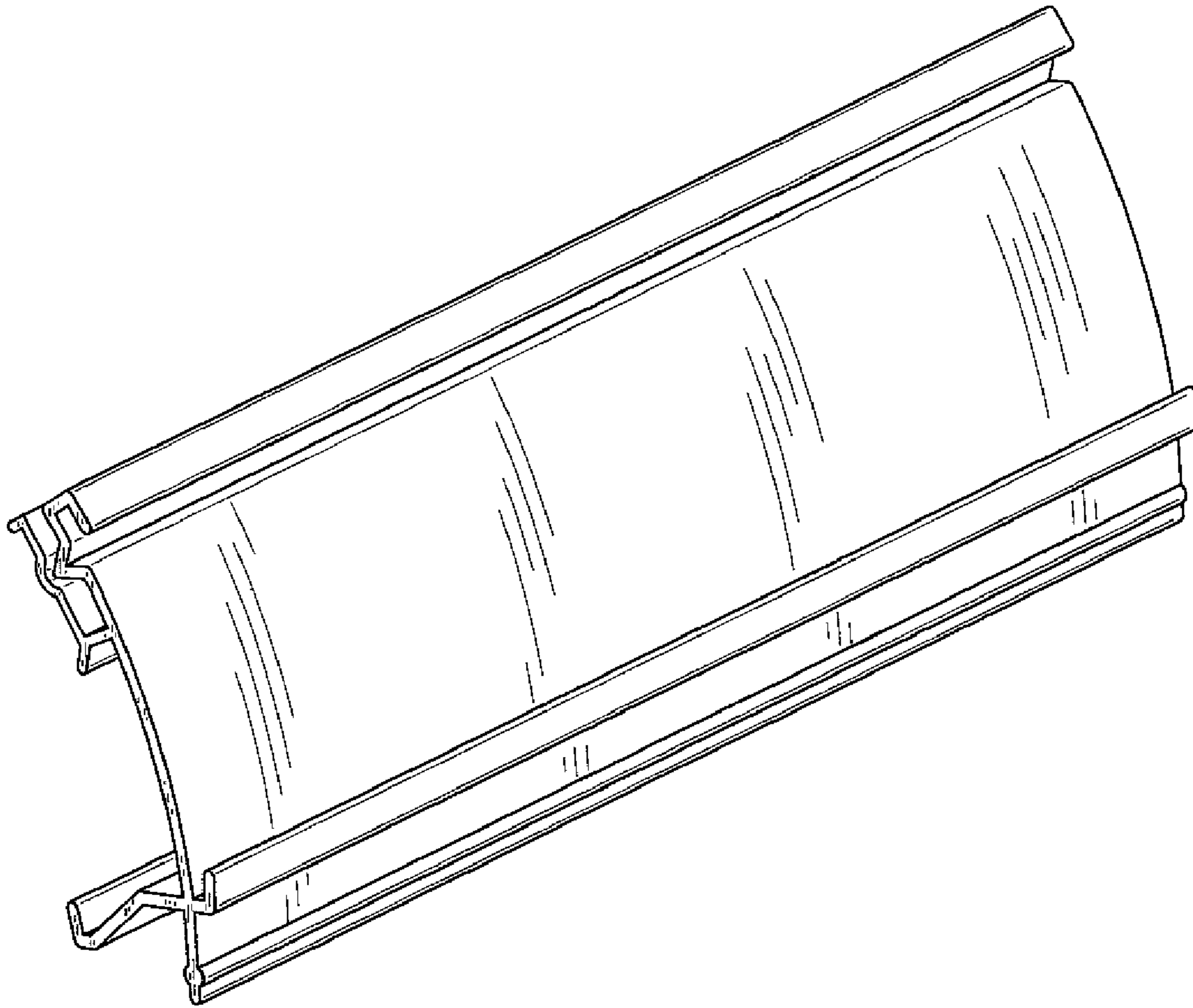


FIG. 1

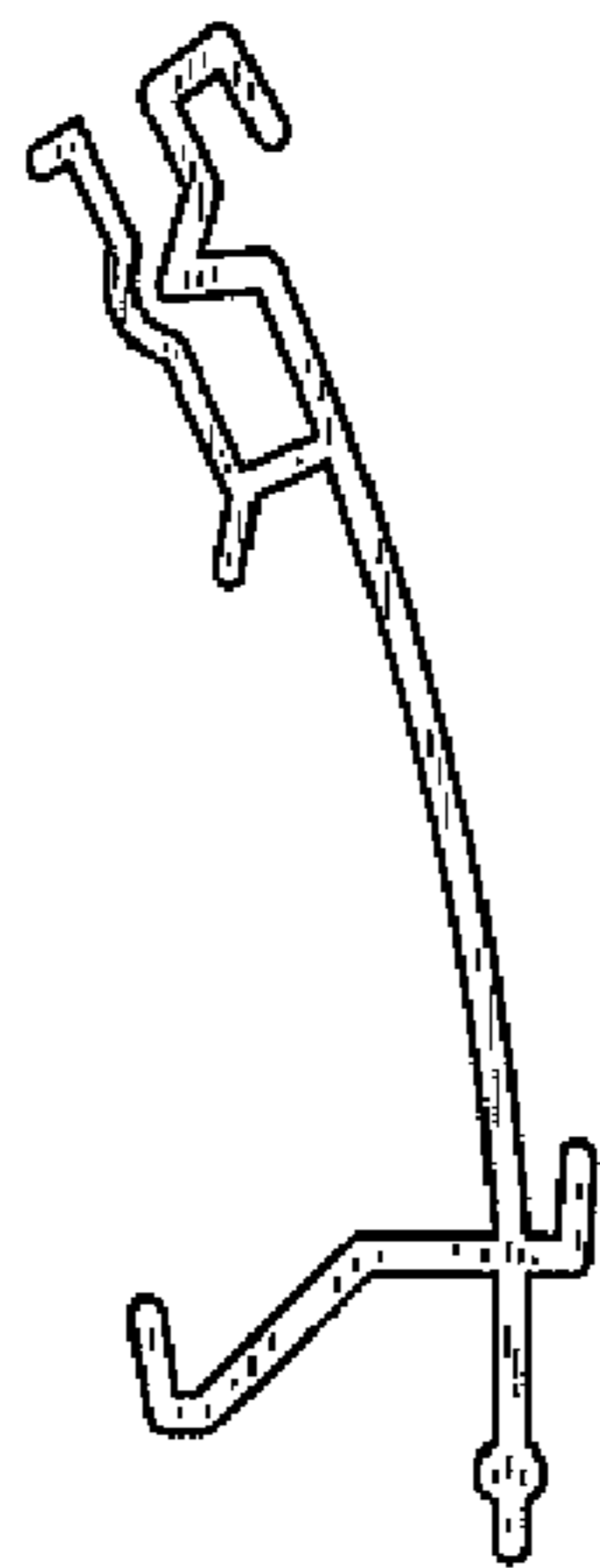


FIG. 2

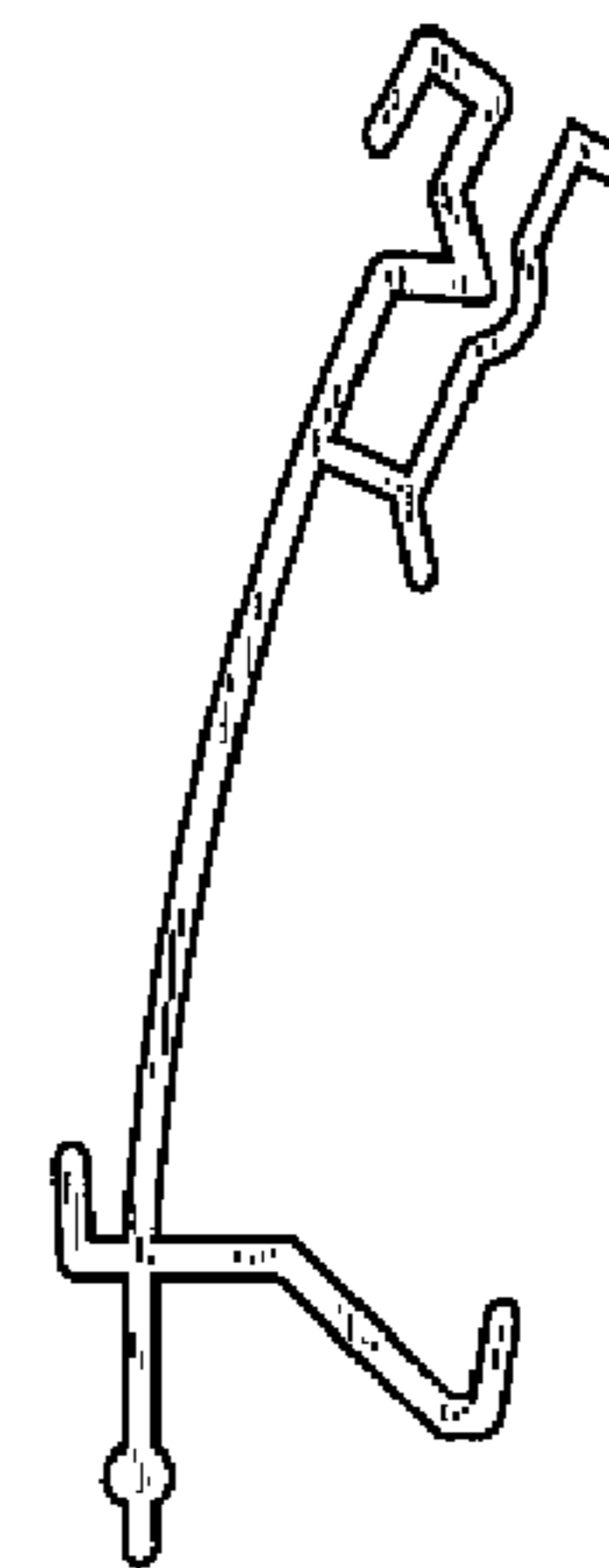


FIG. 3

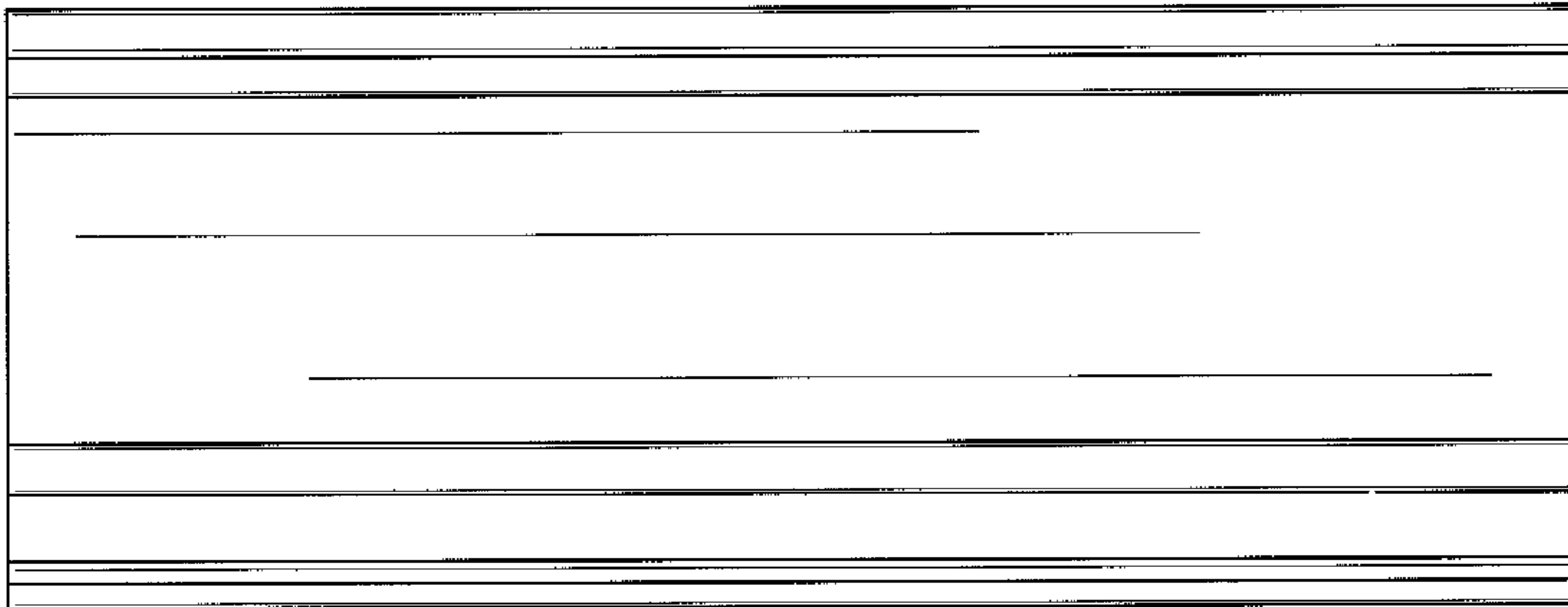


FIG. 4

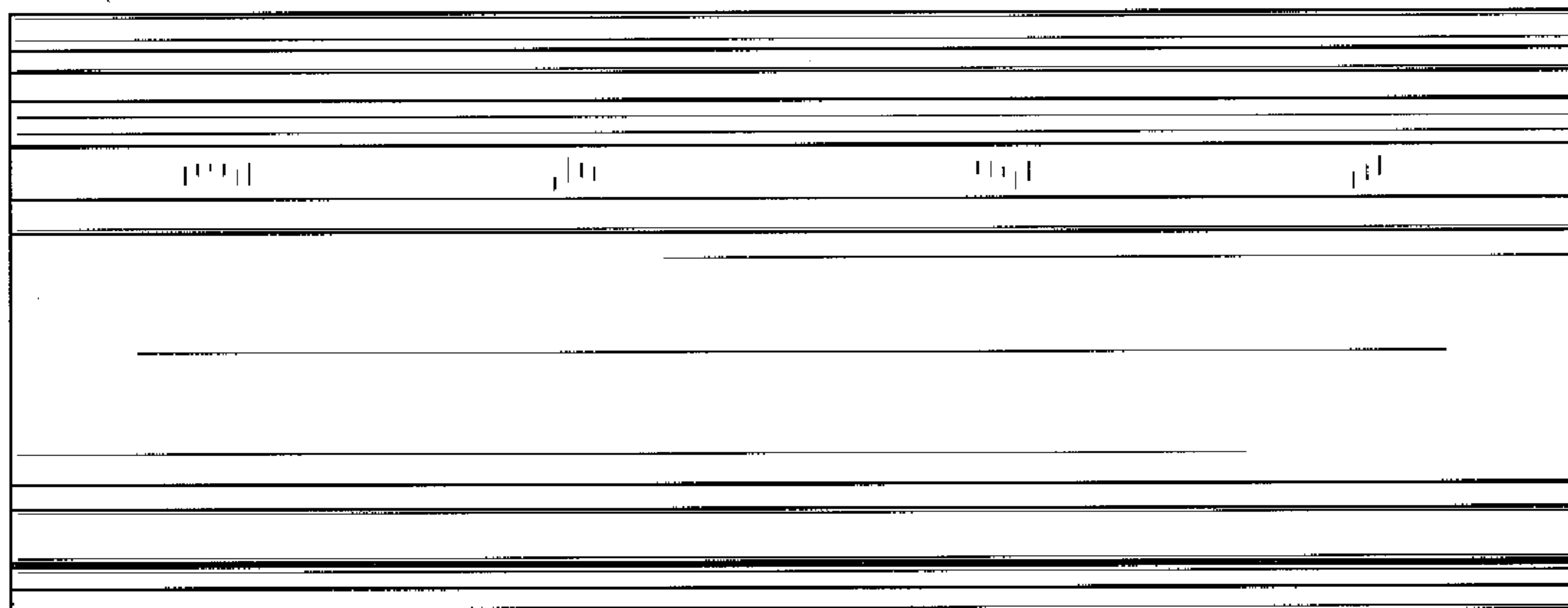


FIG. 5

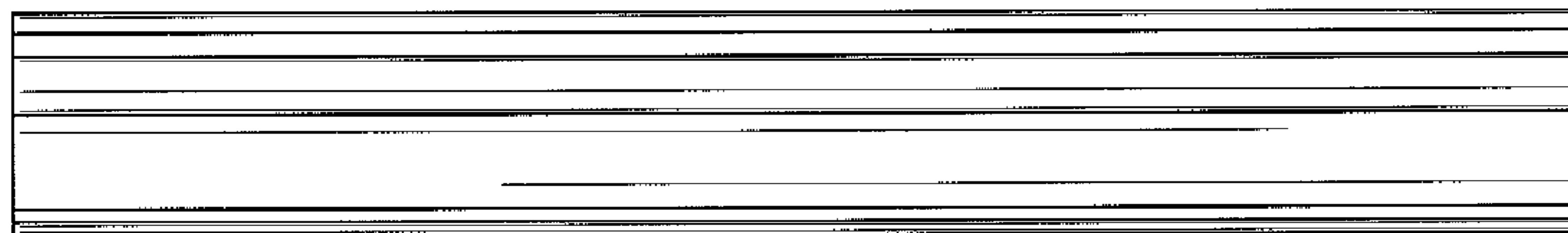


FIG. 6

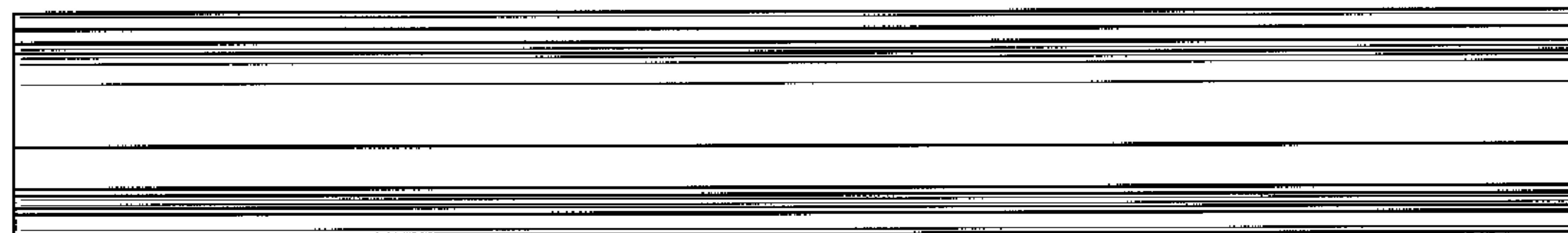


FIG. 7