



US00D614238S

(12) **United States Design Patent**
Garber

(10) **Patent No.:** **US D614,238 S**
(45) **Date of Patent:** **** Apr. 20, 2010**

(54) **FENCE POST MOUNTED SIGN**

(76) Inventor: **Daniel Eugene Garber**, 1206 E. 21st Ave., Hutchinson, KS (US) 67502

(**) Term: **14 Years**

(21) Appl. No.: **29/315,198**

(22) Filed: **Jun. 4, 2009**

Related U.S. Application Data

(63) Continuation of application No. 11/906,032, filed on Sep. 28, 2007, now abandoned.

(51) **LOC (9) Cl.** **20-02**

(52) **U.S. Cl.** **D20/41; D20/42**

(58) **Field of Classification Search** D20/10, D20/19, 39-43, 99; 40/446, 538, 541, 584, 40/585, 617, 618, 620, 622, 542.02, 645, 40/649, 658, 662, 666; D6/300; D10/104, D10/109; 362/812

See application file for complete search history.

(56) **References Cited**

U.S. PATENT DOCUMENTS

1,737,375 A * 11/1929 King 40/662

(Continued)

Primary Examiner—Janice E Seeger

Assistant Examiner—Mary Ann Calabrese

(74) *Attorney, Agent, or Firm*—Robert O. Blinn

(57) **CLAIM**

The ornamental design for a fence post mounted sign, as shown.

DESCRIPTION

FIG. 1 is a rear perspective view of the fence post mounted sign of the first embodiment of the present invention showing my new design.

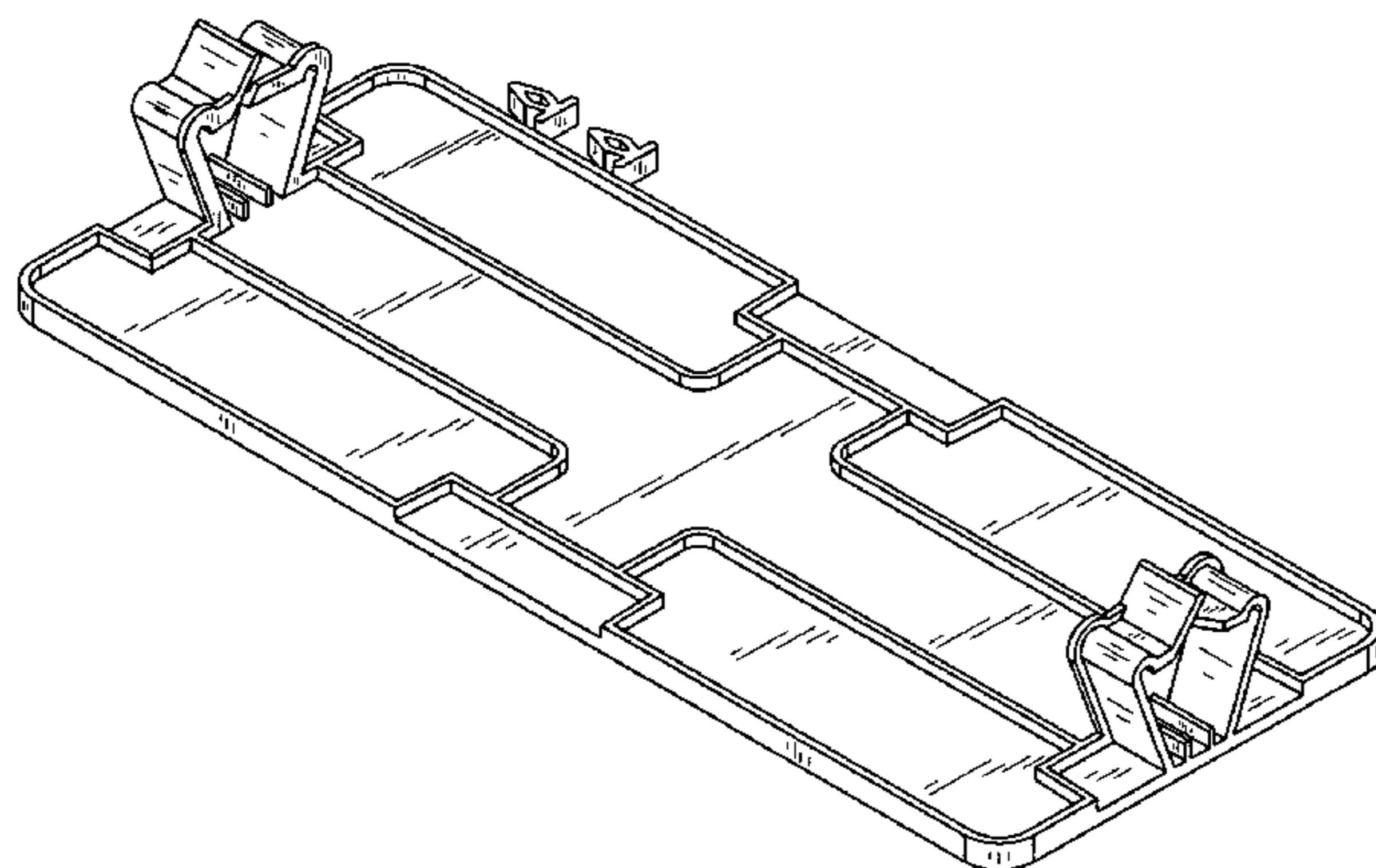


FIG. 2 is a front view of the fence post mounted sign of the first embodiment of the present invention showing my new design.

FIG. 3 is a back view of the fence post mounted sign of the first embodiment of the present invention showing my new design.

FIG. 4 is a right side view of the fence post mounted sign of the first embodiment of the present invention showing my new design.

FIG. 5 is a left side view of the fence post mounted sign of the first embodiment of the present invention showing my new design.

FIG. 6 is a top view of the fence post mounted sign of the first embodiment of the present invention showing my new design.

FIG. 7 is a bottom view of the fence post mounted sign of the first embodiment of the present invention showing my new design.

FIG. 8 is a rear perspective view of the fence post mounted sign of the second embodiment of the present invention showing my new design.

FIG. 9 is a front view of the fence post mounted sign of the second embodiment of the present invention showing my new design.

FIG. 10 is a back view of the fence post mounted sign of the second embodiment of the present invention showing my new design.

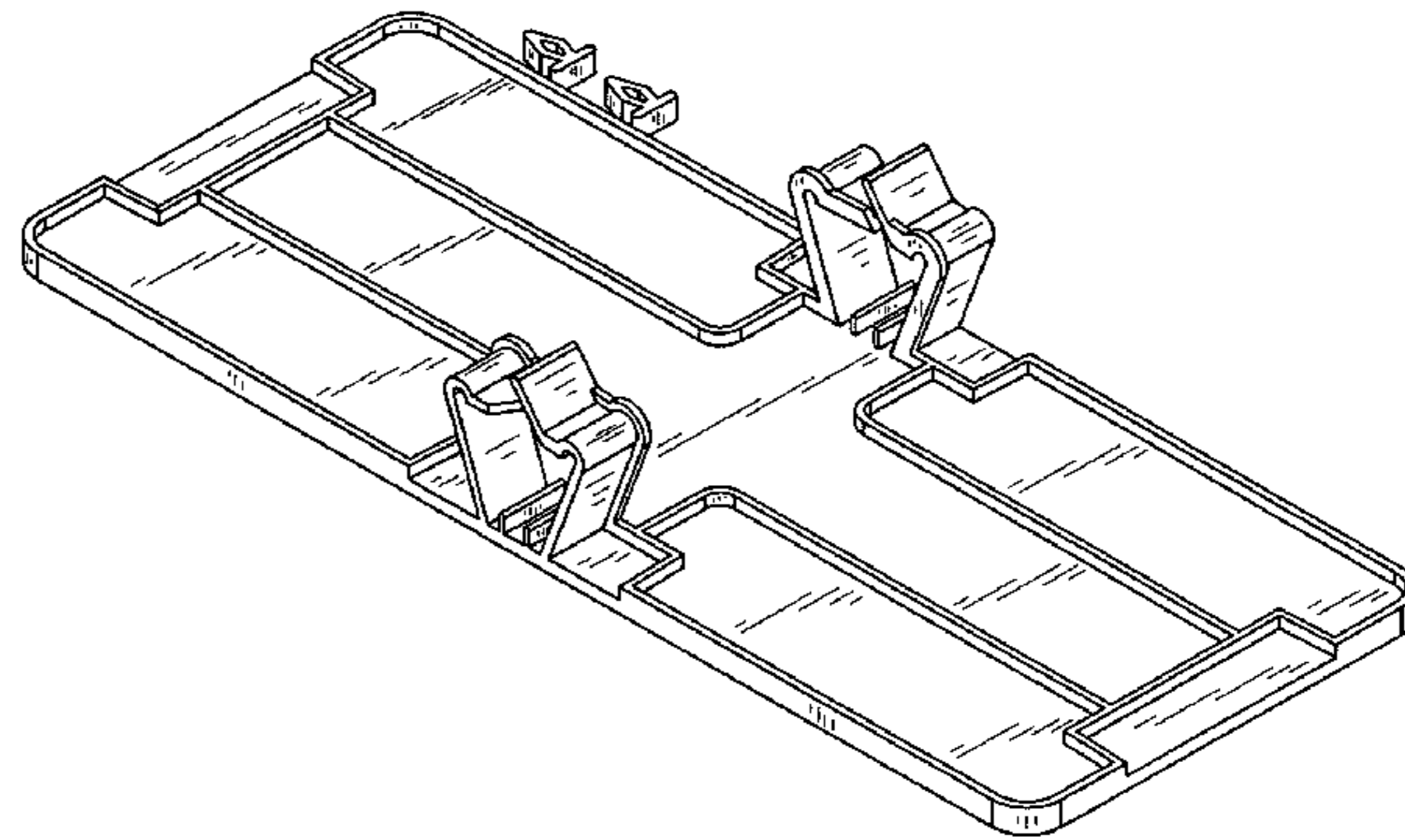
FIG. 11 is a right side view of the fence post mounted sign of the second embodiment of the present invention showing my new design.

FIG. 12 is a left side view of the fence post mounted sign of the second embodiment of the present invention showing my new design.

FIG. 13 is a top view of the fence post mounted sign of the second embodiment of the present invention showing my new design; and,

FIG. 14 is a bottom view of the fence post mounted sign of the second embodiment of the present invention showing my new design.

1 Claim, 8 Drawing Sheets



US D614,238 S

Page 2

U.S. PATENT DOCUMENTS

D266,774 S	*	11/1982	Brown et al.	D20/41	D530,926 S	*	10/2006	Sellers	D6/300
D500,090 S	*	12/2004	Chen et al.	D20/42	D595,777 S	*	7/2009	Ward	D20/10
D500,527 S	*	1/2005	Domack	D20/43	2007/0056198 A1	*	3/2007	Cheung	40/585

* cited by examiner

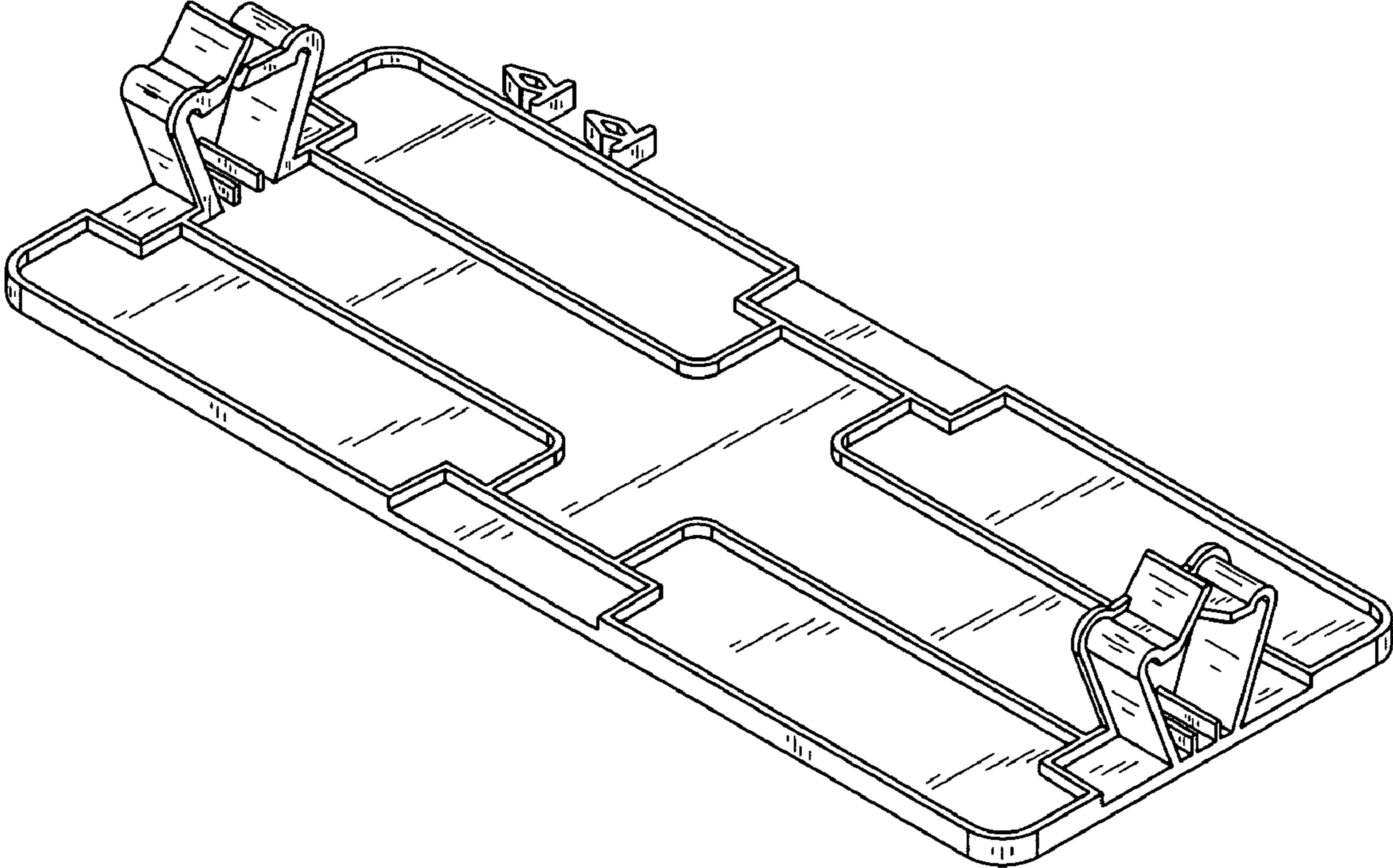


FIG.1

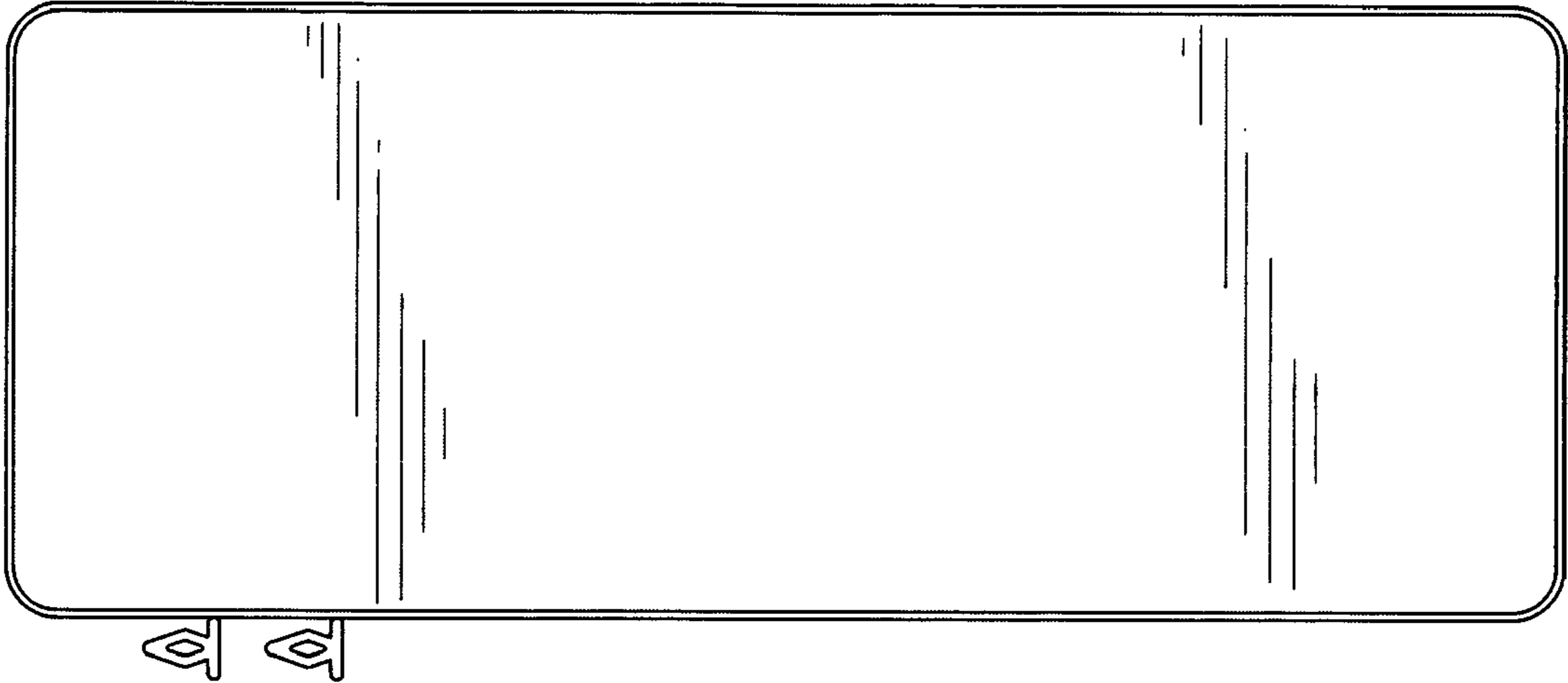


FIG. 2

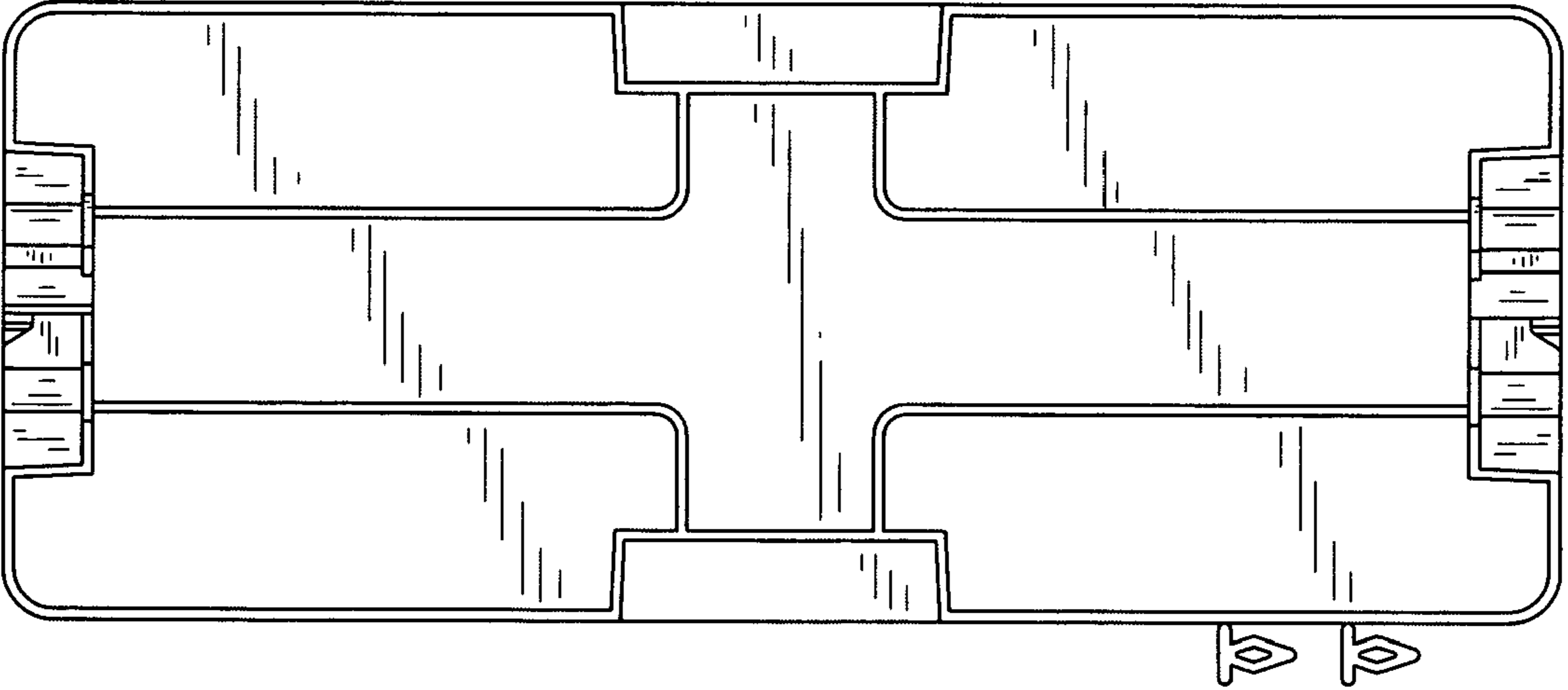


FIG. 3

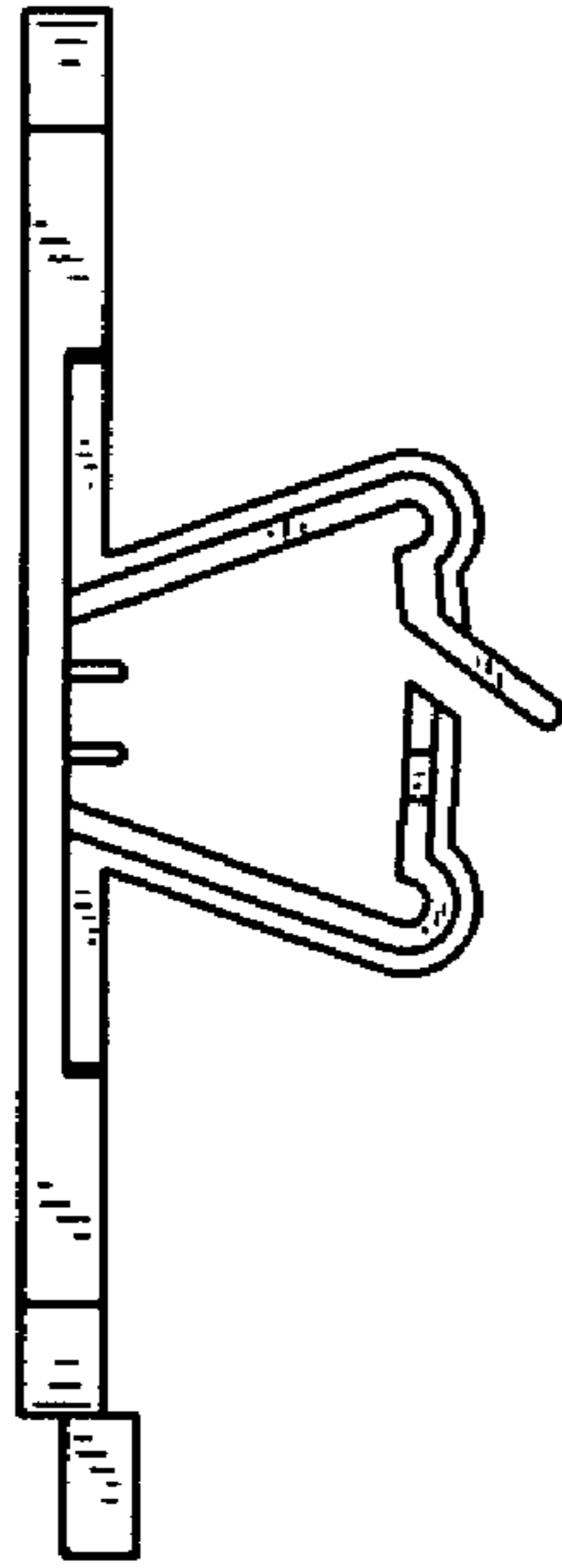


FIG. 4

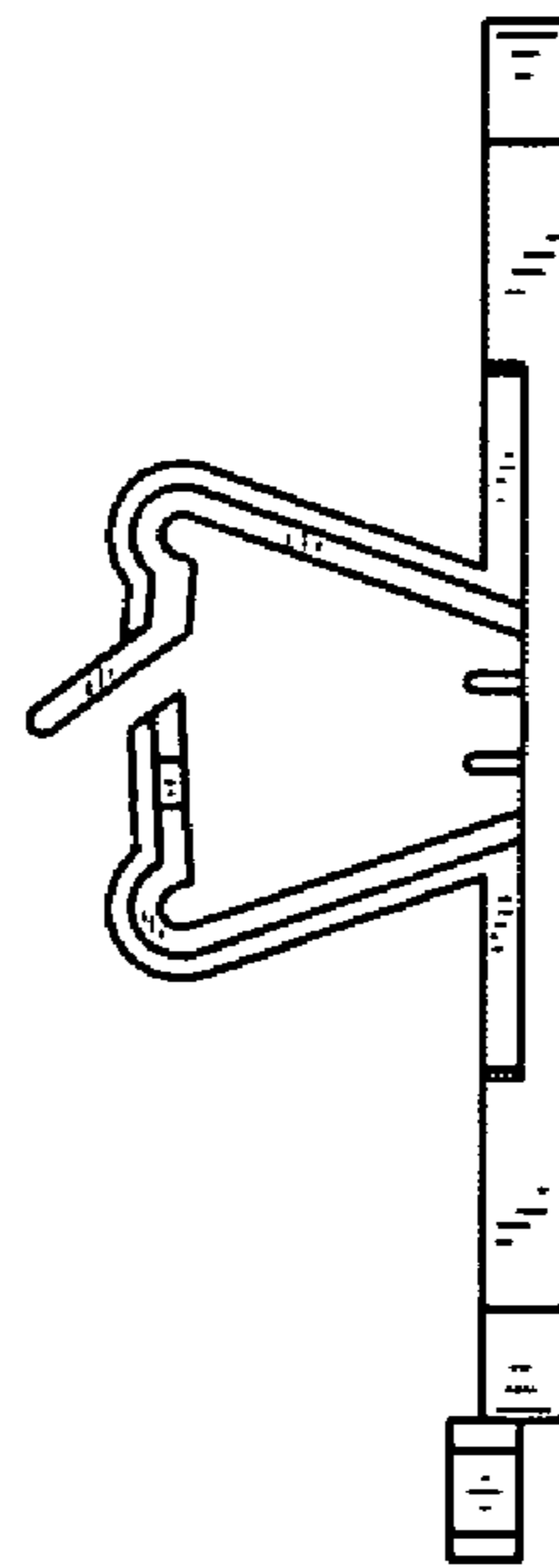


FIG. 5

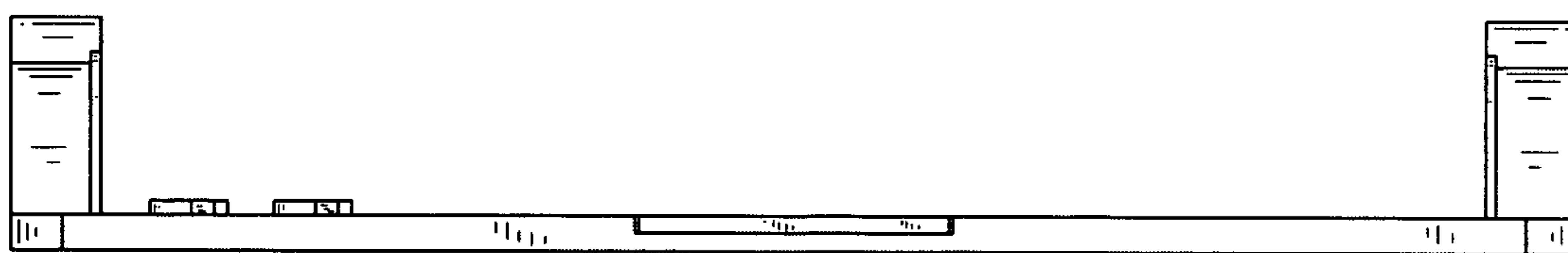


FIG. 6

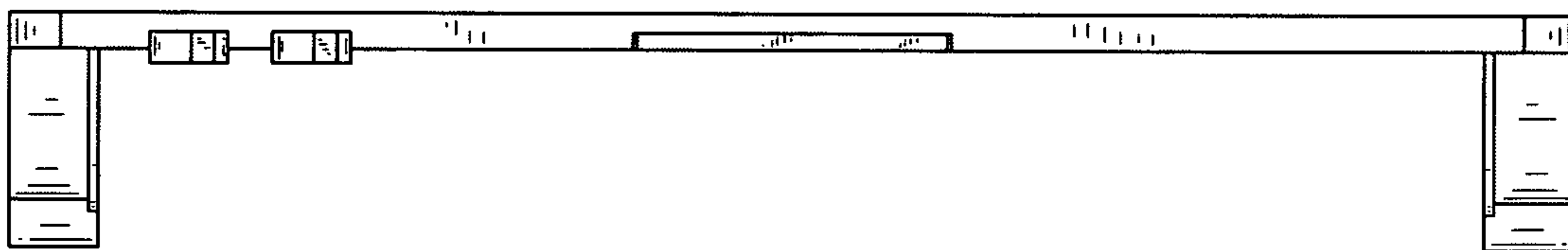


FIG. 7

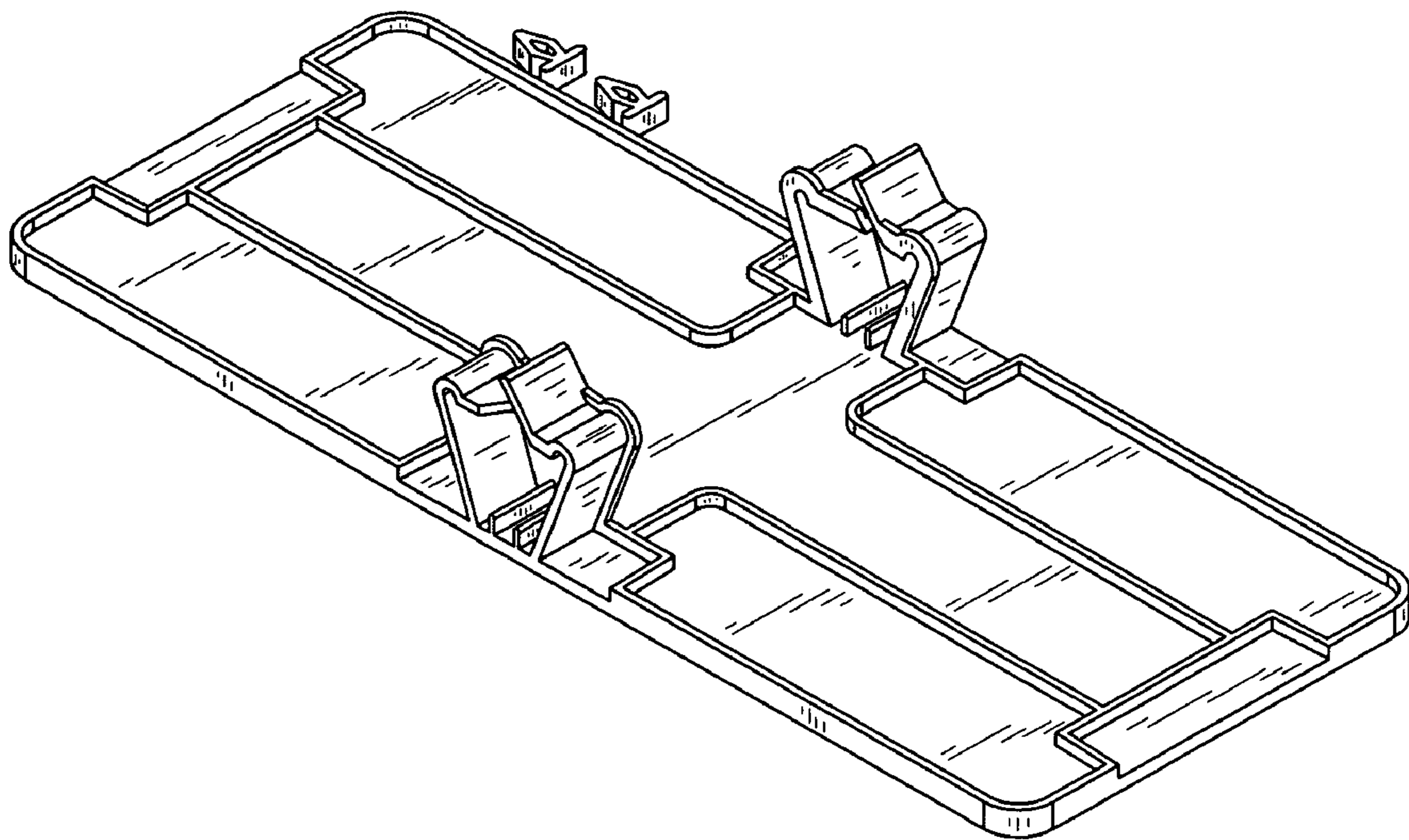


FIG. 8

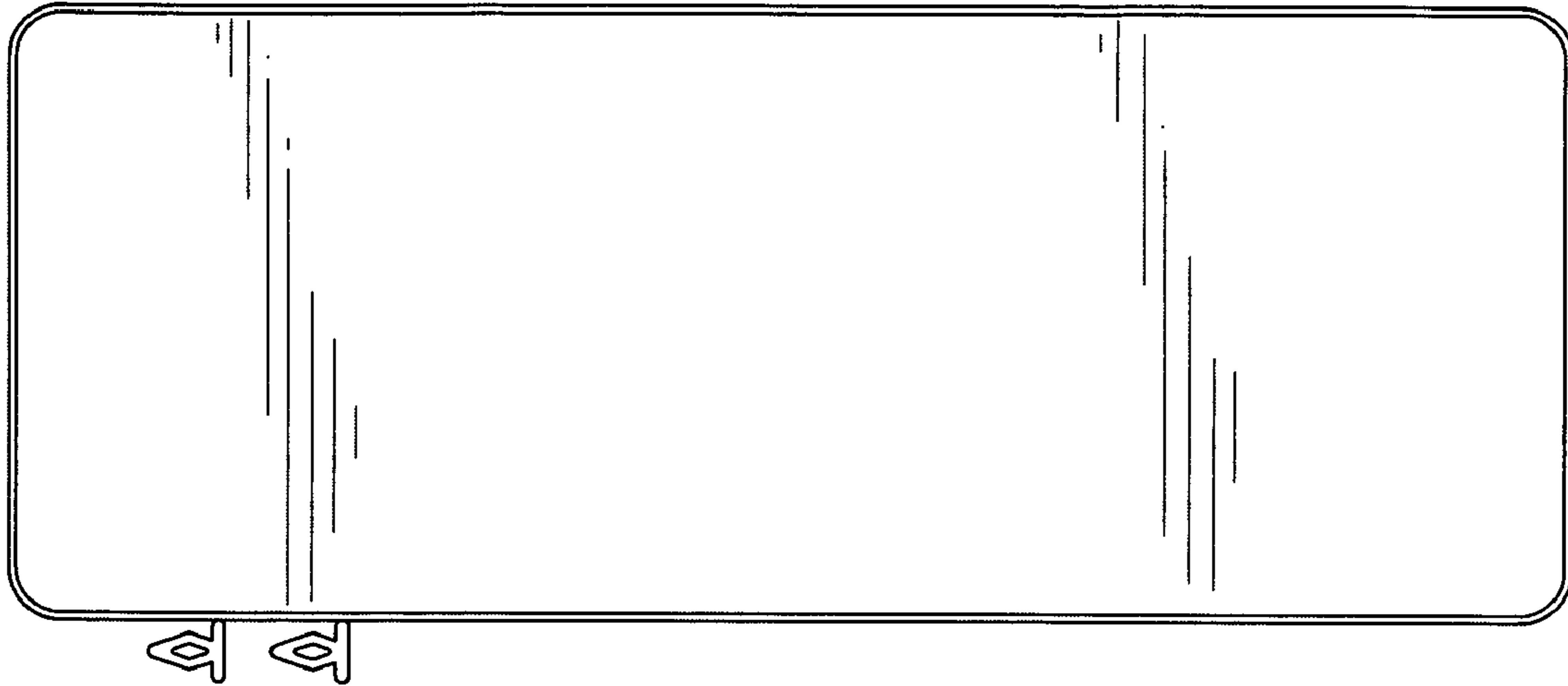


FIG. 9

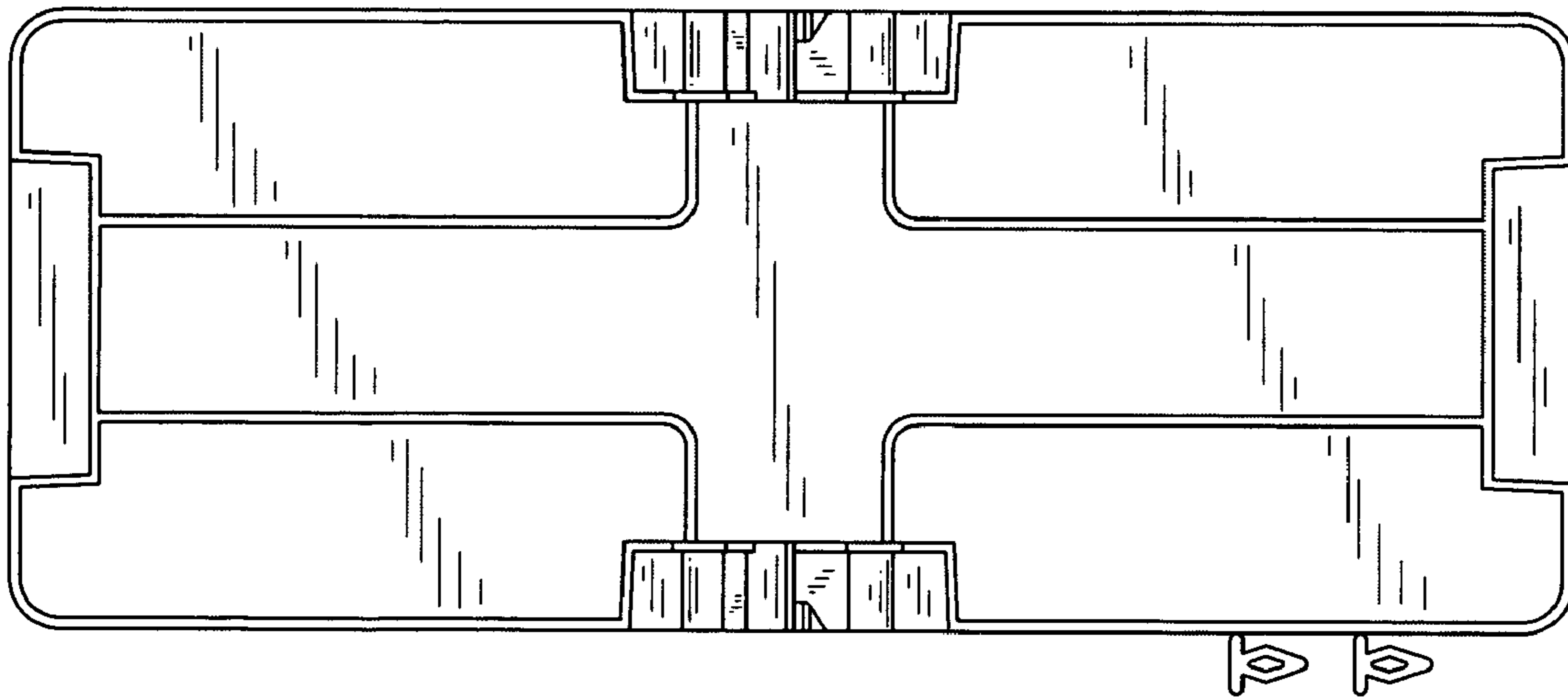


FIG. 10

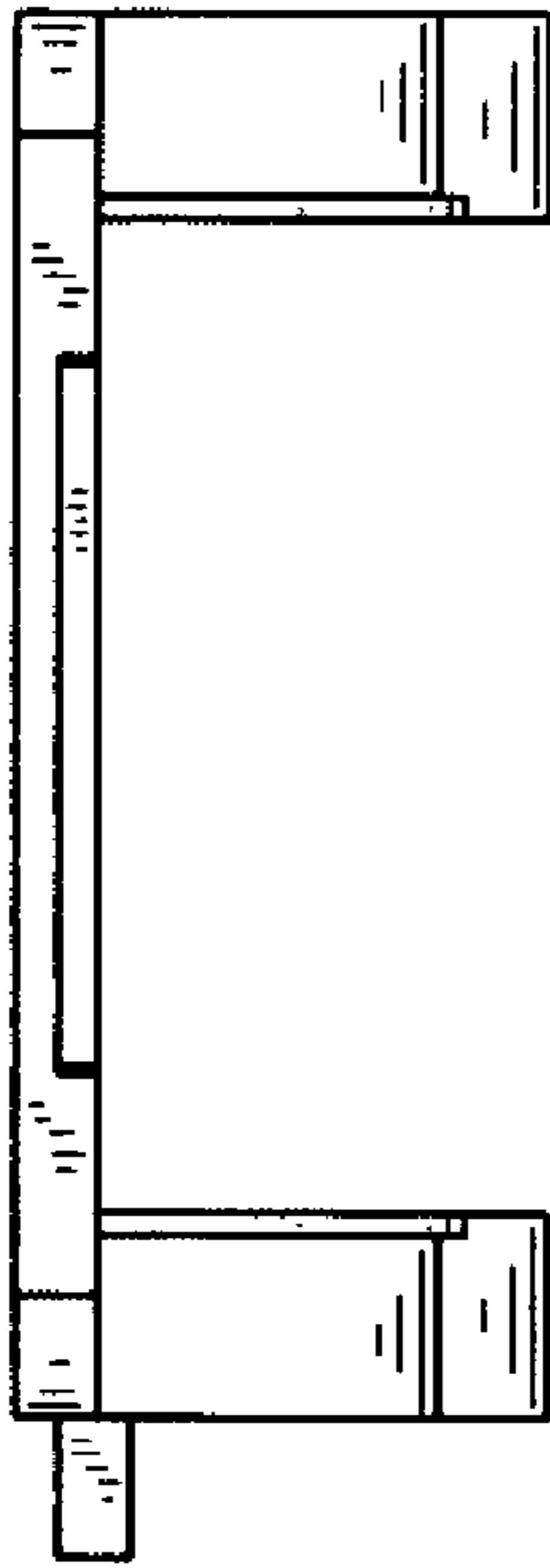


FIG. 11

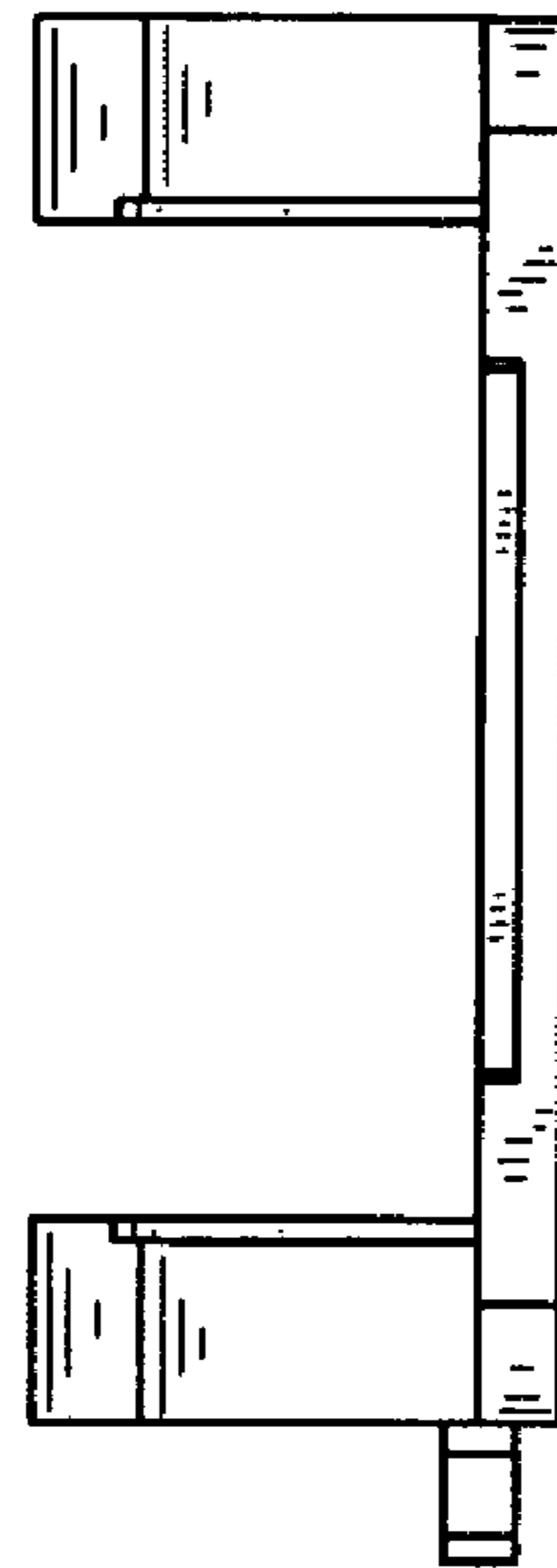


FIG. 12

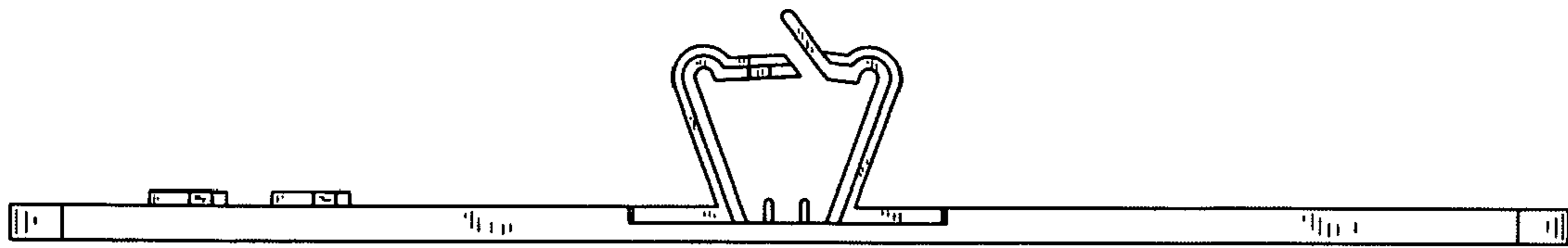


FIG. 13

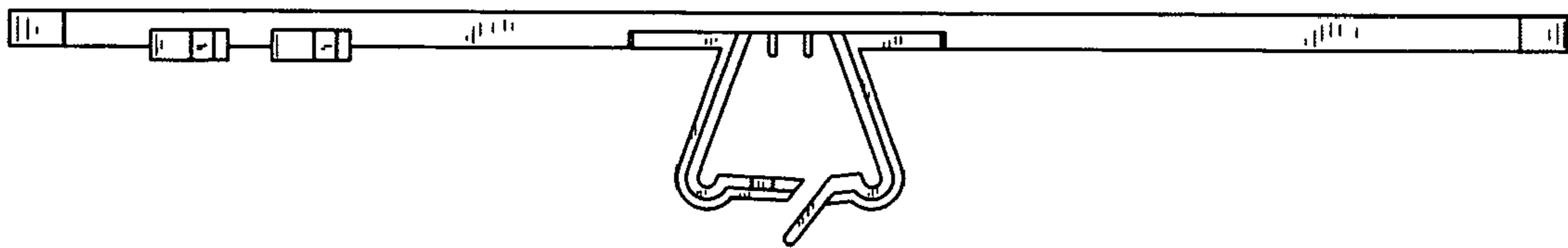


FIG. 14