



US00D614237S

(12) **United States Design Patent**  
**Hagiwara et al.**

(10) **Patent No.:** **US D614,237 S**

(45) **Date of Patent:** **\*\* Apr. 20, 2010**

(54) **DOCUMENT VALIDATOR**

(75) Inventors: **Fumio Hagiwara**, Sakai (JP); **Toru Seki**, Sagamihara (JP); **Shinya Izawa**, Sagamihara (JP); **Kazuya Nishimura**, Osaka (JP); **Takahiro Morioka**, Osaka (JP)

(73) Assignee: **Japan Cash Machine, Co. Ltd.**, Osaka (JP)

(\*\*) Term: **14 Years**

(21) Appl. No.: **29/335,204**

(22) Filed: **Apr. 10, 2009**

(51) **LOC (9) Cl.** ..... **20-01**

(52) **U.S. Cl.** ..... **D20/8**

(58) **Field of Classification Search** ..... D20/1-9, D20/99; 194/206, 217, 229, 232, 239, 302, 194/342, 344, 350, 750; D10/104; D18/3.1, D18/3.2, 3.3; D99/28; 209/534; 271/171, 271/181, 240

See application file for complete search history.

(56) **References Cited**

**U.S. PATENT DOCUMENTS**

D288,377 S *	2/1987	Kobayashi et al. ....	D20/9
5,405,131 A *	4/1995	Zouzoulas .....	271/181
6,149,150 A *	11/2000	Onipchenko et al. ....	271/240
D446,464 S *	8/2001	Chou .....	D10/104
D482,056 S *	11/2003	Bergeron et al. ....	D18/3.3
D483,057 S *	12/2003	Bergeron et al. ....	D18/3.3
D490,101 S *	5/2004	Bergeron et al. ....	D18/3.3

D490,839 S *	6/2004	Bergeron et al. ....	D18/3.3
6,749,195 B2 *	6/2004	Chou .....	271/181
7,104,383 B1 *	9/2006	Saltsov et al. ....	194/206
7,481,308 B2 *	1/2009	Bergeron et al. ....	194/350
2004/0050651 A1 *	3/2004	Heidel .....	194/217
2005/0006198 A1 *	1/2005	Yoshioka et al. ....	194/302

\* cited by examiner

*Primary Examiner*—Janice E Seeger

*Assistant Examiner*—Mary Ann Calabrese

(74) *Attorney, Agent, or Firm*—Bachman & LaPointe, P.C.

(57) **CLAIM**

We claim the ornamental design for a document validator, as shown.

**DESCRIPTION**

FIG. 1 is a front elevation view of the document validator according to our new design;

FIG. 2 is a rear elevation view thereof;

FIG. 3 is a right side elevation view thereof;

FIG. 4 is a left side elevation view thereof;

FIG. 5 is a plan view thereof;

FIG. 6 is a bottom view thereof;

FIG. 7 is a front perspective view thereof from right upper side; and,

FIG. 8 is a rear perspective view thereof from left upper side.

The broken lines in FIG. 6 represent unclaimed subject matter.

**1 Claim, 8 Drawing Sheets**

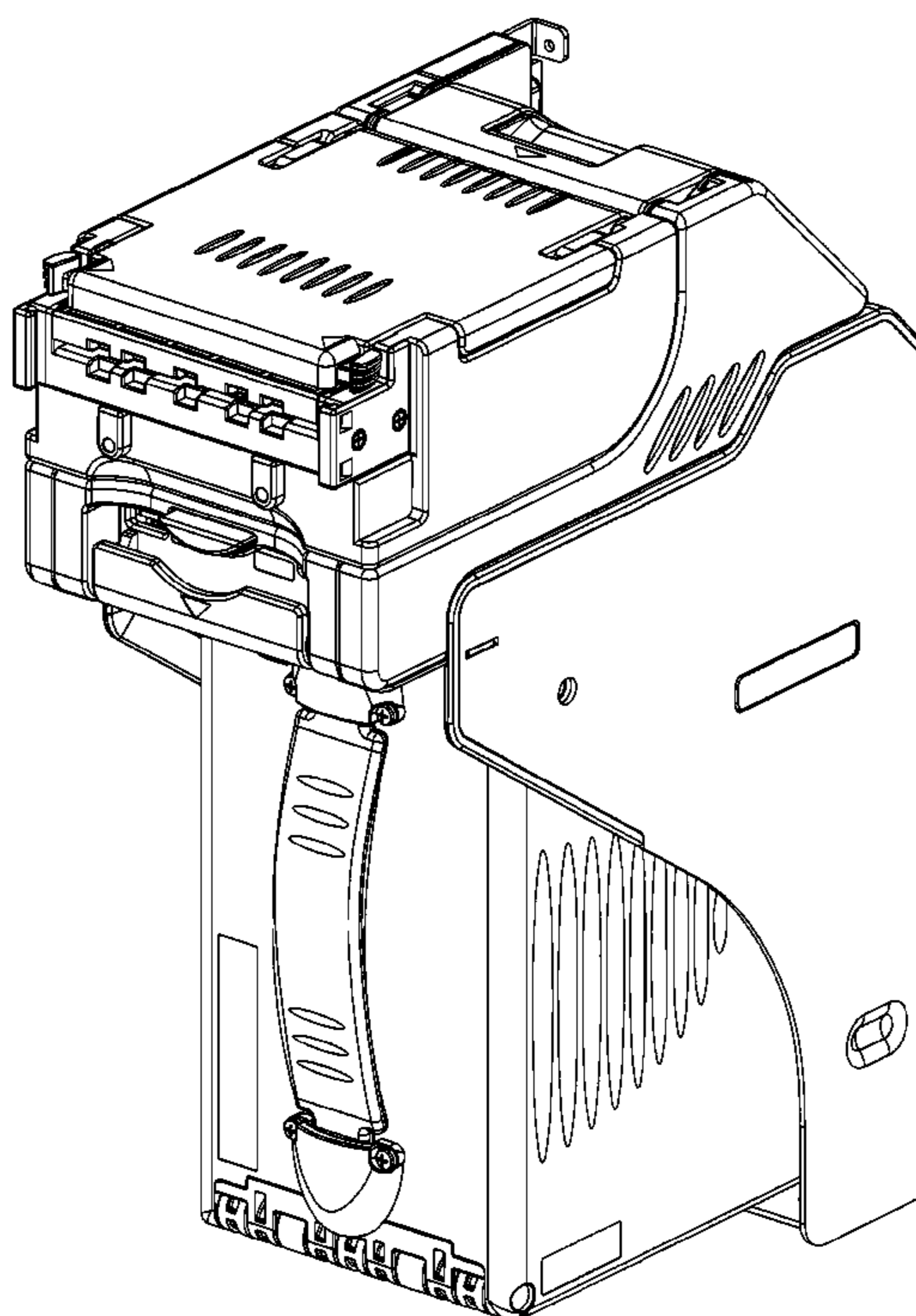


Fig. 1

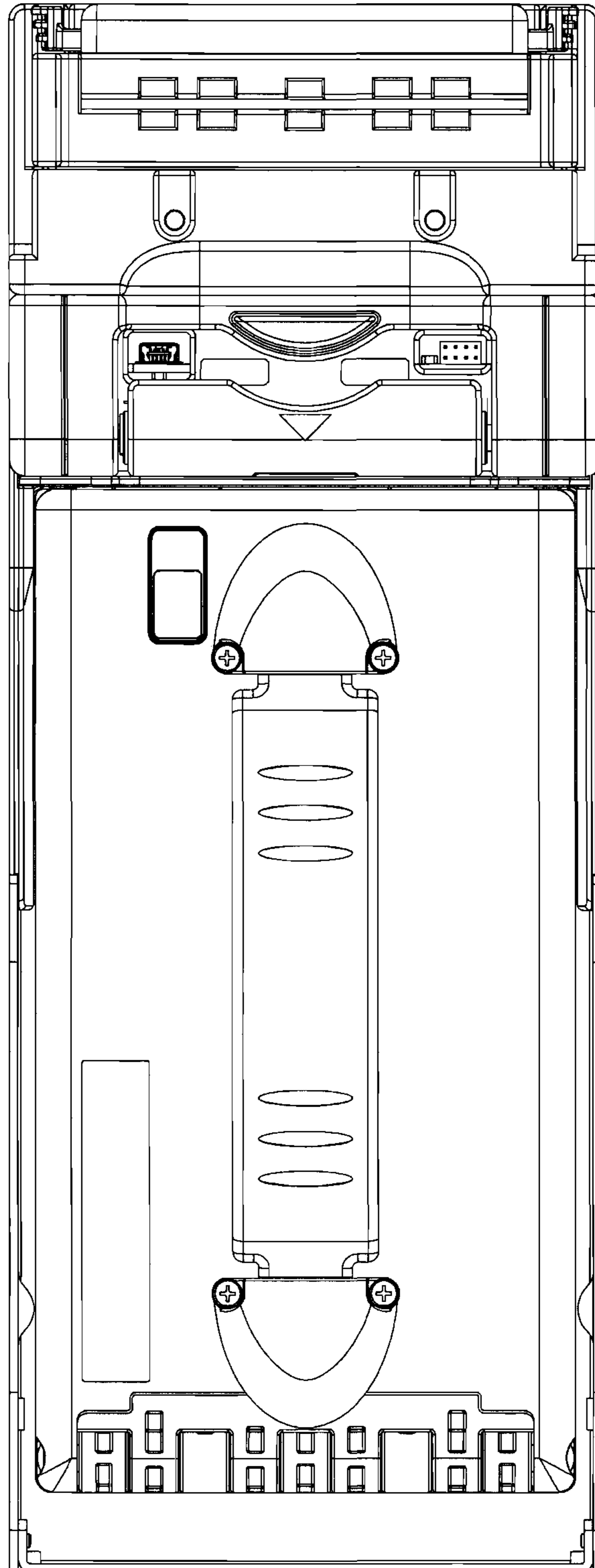


Fig. 2

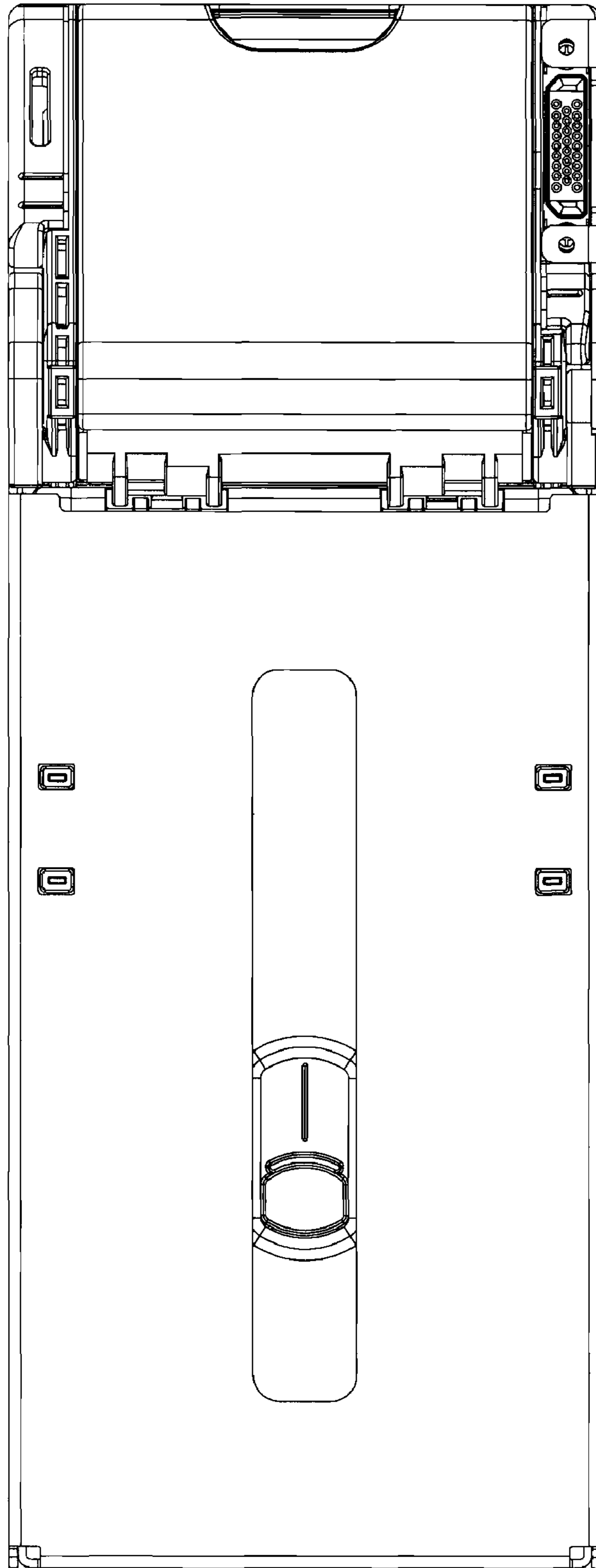


Fig. 3

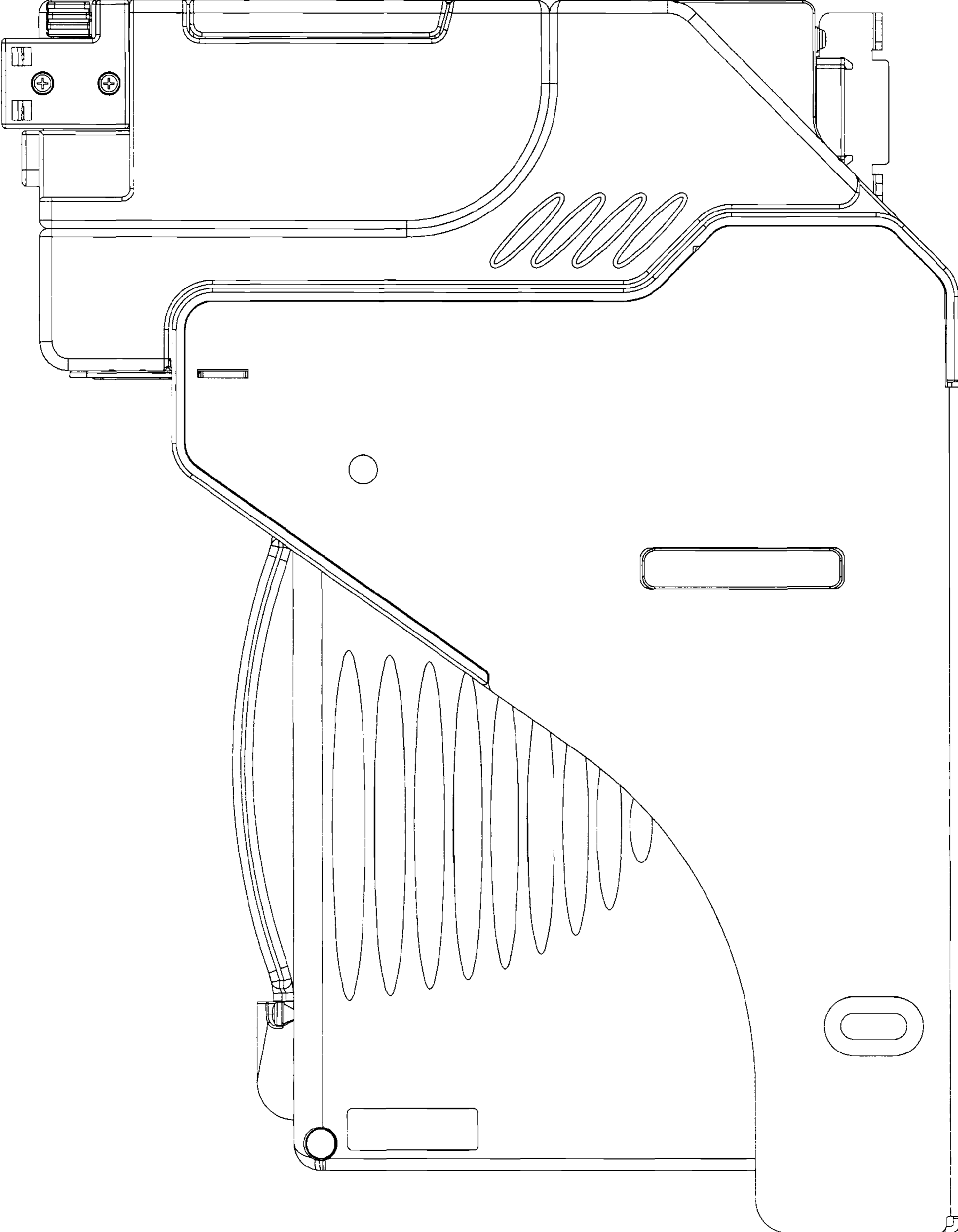


Fig. 4

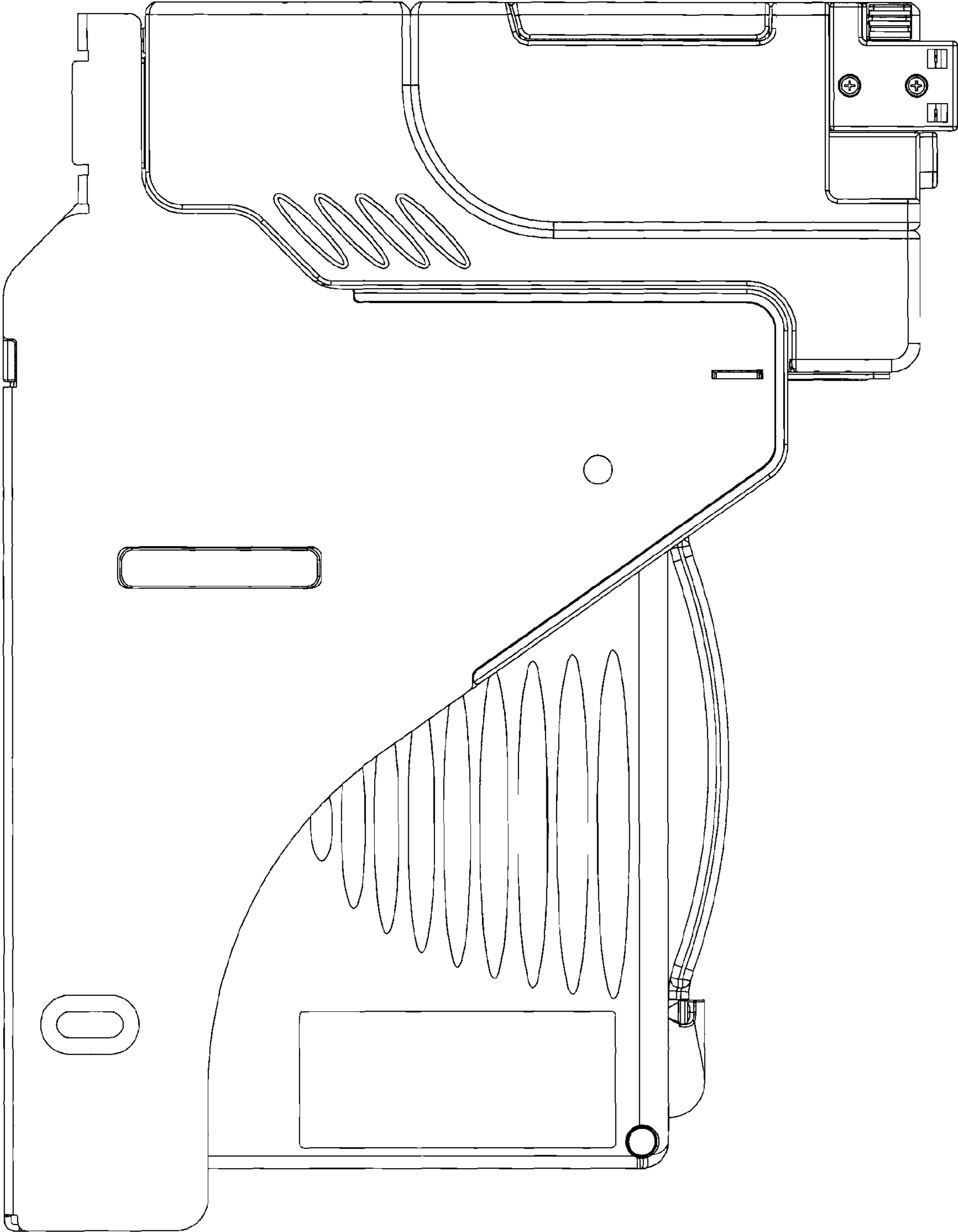


Fig. 5

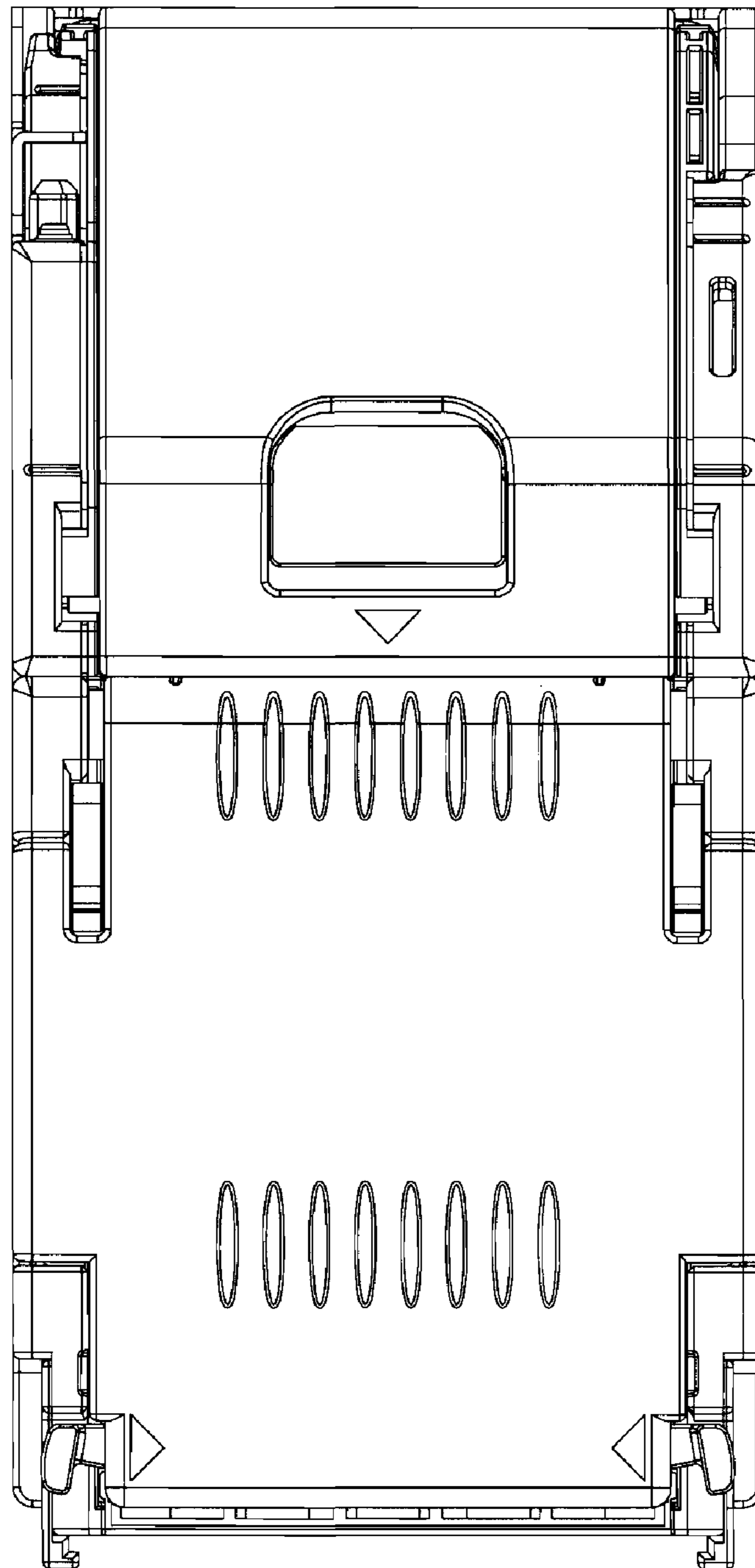


Fig. 6

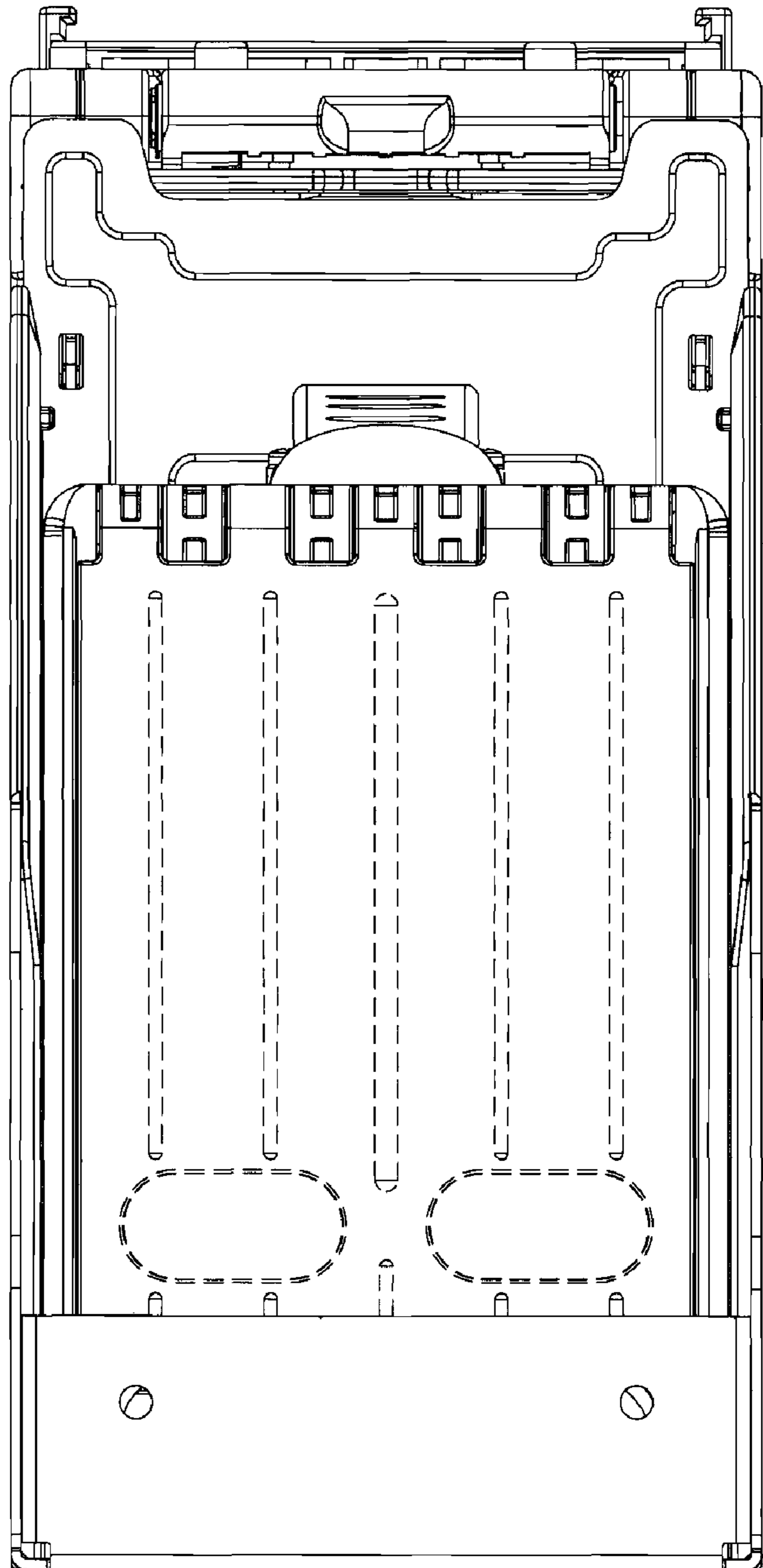


Fig. 7

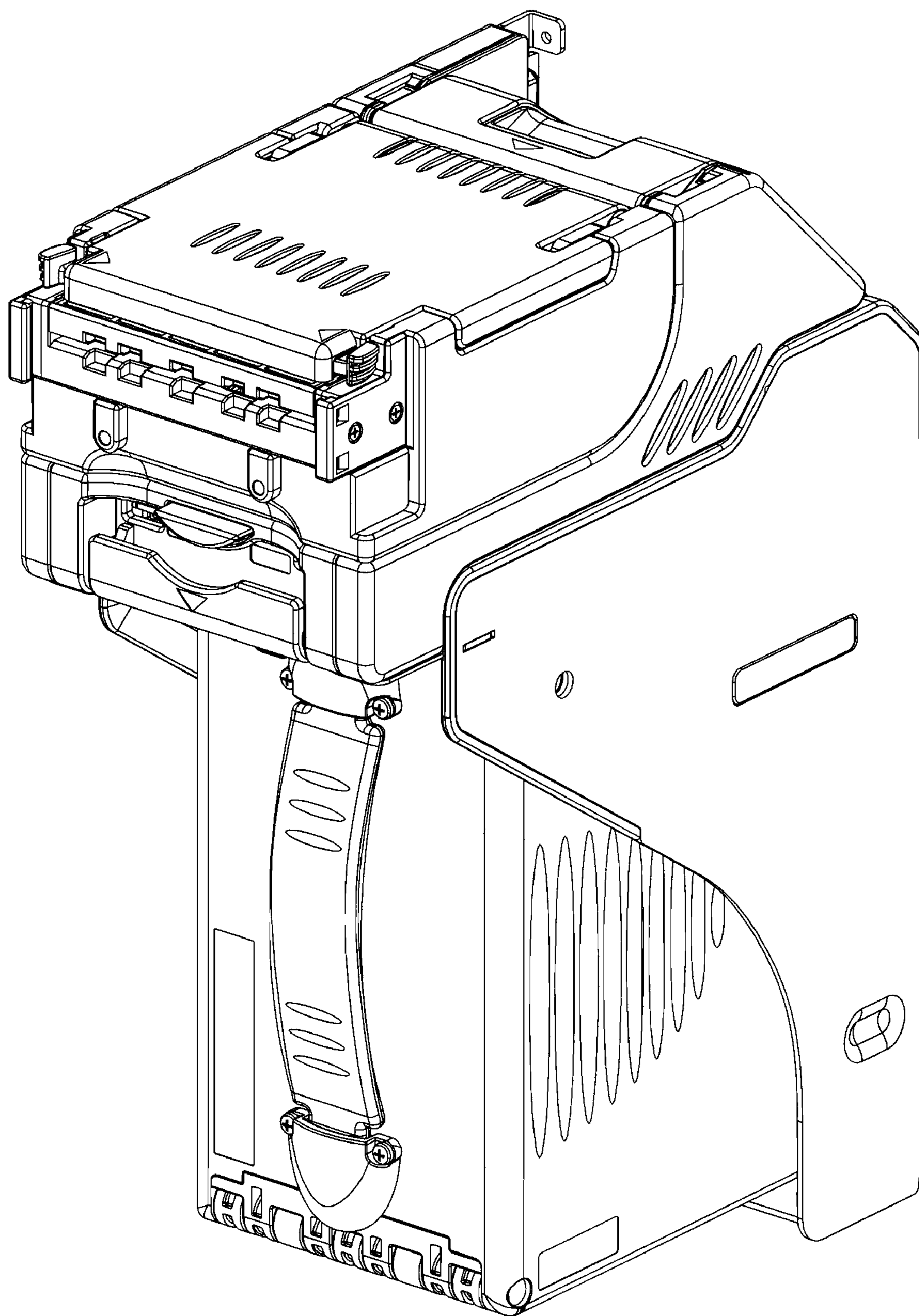




Fig. 8

