



US00D614235S

(12) **United States Design Patent**  
**Nakata**

(10) **Patent No.:** **US D614,235 S**  
(45) **Date of Patent:** **\*\* Apr. 20, 2010**

(54) **PRINTER**

D581,976 S \* 12/2008 Park et al. .... D18/55  
D586,385 S \* 2/2009 Kim et al. .... D18/55

(75) Inventor: **Yusuke Nakata**, Nagoya (JP)

\* cited by examiner

(73) Assignee: **Brother Industries, Ltd.**, Nagoya (JP)

*Primary Examiner*—Cathy Anne MacCormac  
(74) *Attorney, Agent, or Firm*—Oliff & Berridge, PLC

(\*\*) Term: **14 Years**

(21) Appl. No.: **29/328,286**

(57) **CLAIM**

(22) Filed: **Nov. 21, 2008**

The ornamental design for a printer, as shown and described.

(30) **Foreign Application Priority Data**

**DESCRIPTION**

May 23, 2008 (JP) ..... 2008-012994

(51) **LOC (9) Cl.** ..... **14-02**

(52) **U.S. Cl.** ..... **D18/55**

(58) **Field of Classification Search** ..... D18/36–37,  
D18/50, 54, 54.1, 55, 19; D14/420–425,  
D14/463–470; 400/613, 613.1–613.4, 690.1–690.4,  
400/691–694

FIG. 1 is a perspective view of a printer;

FIG. 2 is a front view thereof;

FIG. 3 is a top view thereof;

FIG. 4 is a right-side view thereof;

FIG. 5 is a left-side view thereof;

FIG. 6 is a rear view thereof;

FIG. 7 is a bottom view thereof; and,

FIG. 8 is another perspective thereof.

See application file for complete search history.

The broken lines depict environmental subject matter only and form no part of the claimed design.

(56) **References Cited**

**U.S. PATENT DOCUMENTS**

D574,886 S \* 8/2008 Mase et al. .... D18/55

D575,330 S \* 8/2008 Egami et al. .... D18/55

**1 Claim, 8 Drawing Sheets**

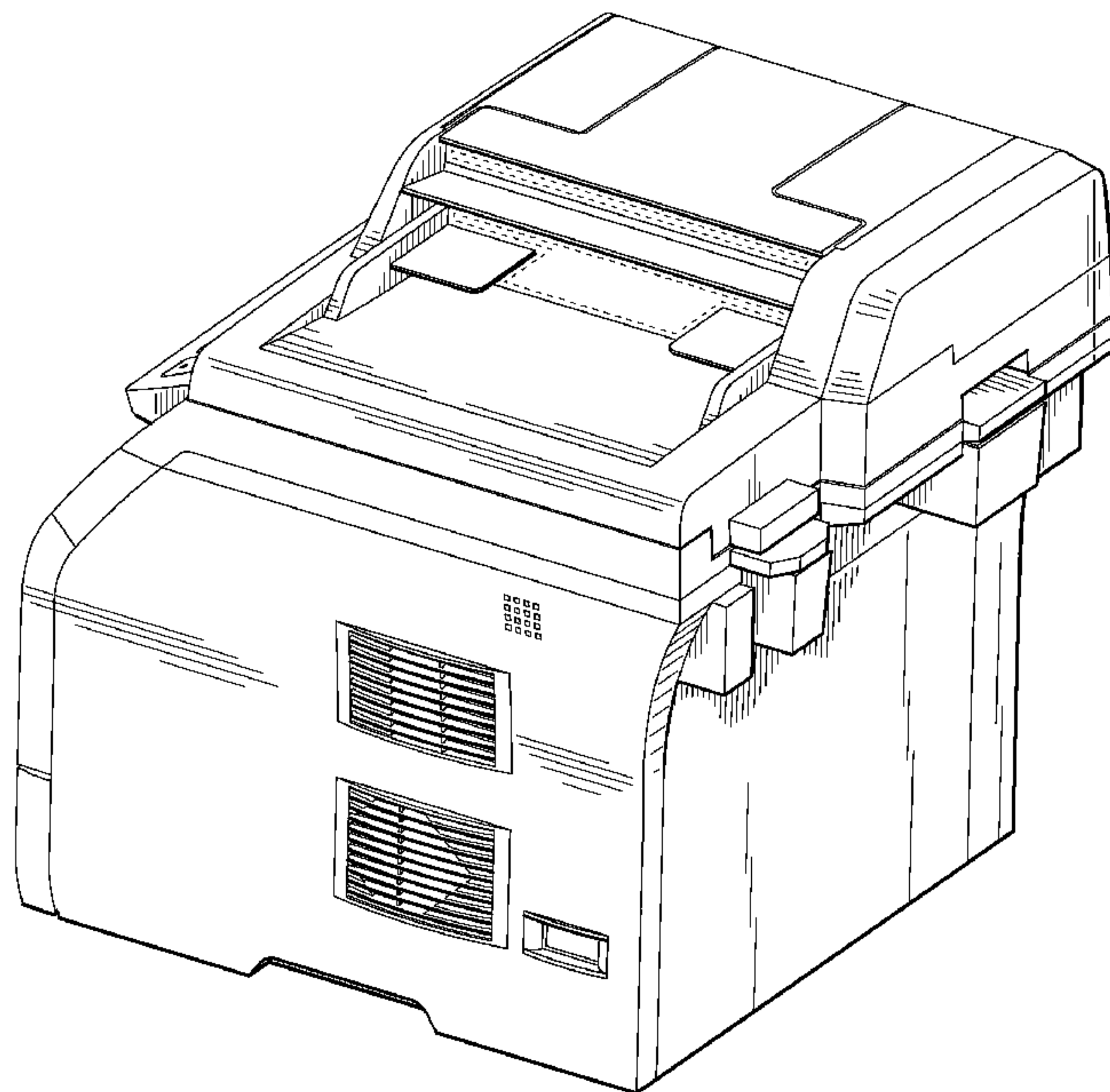
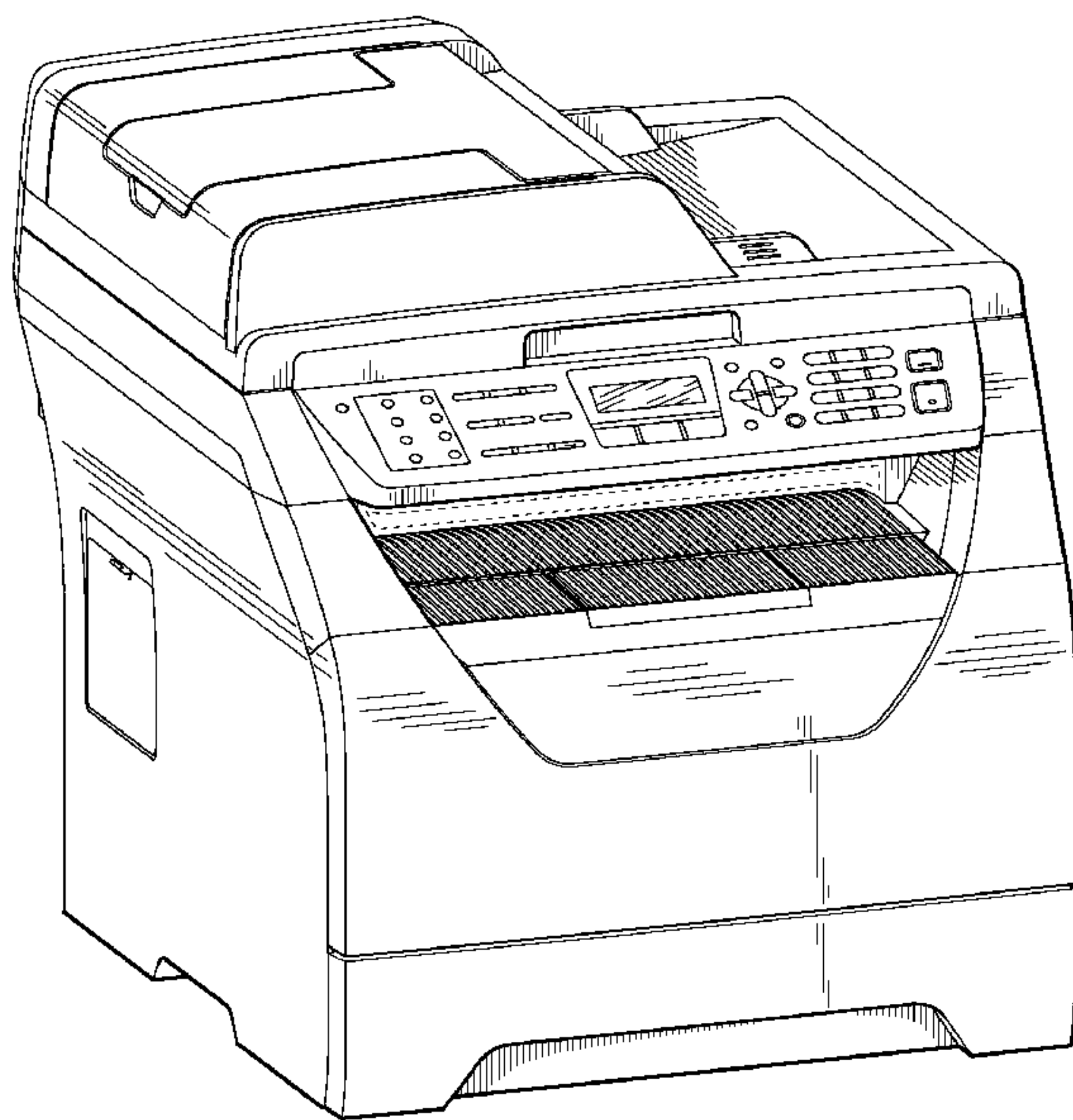




FIG. 1

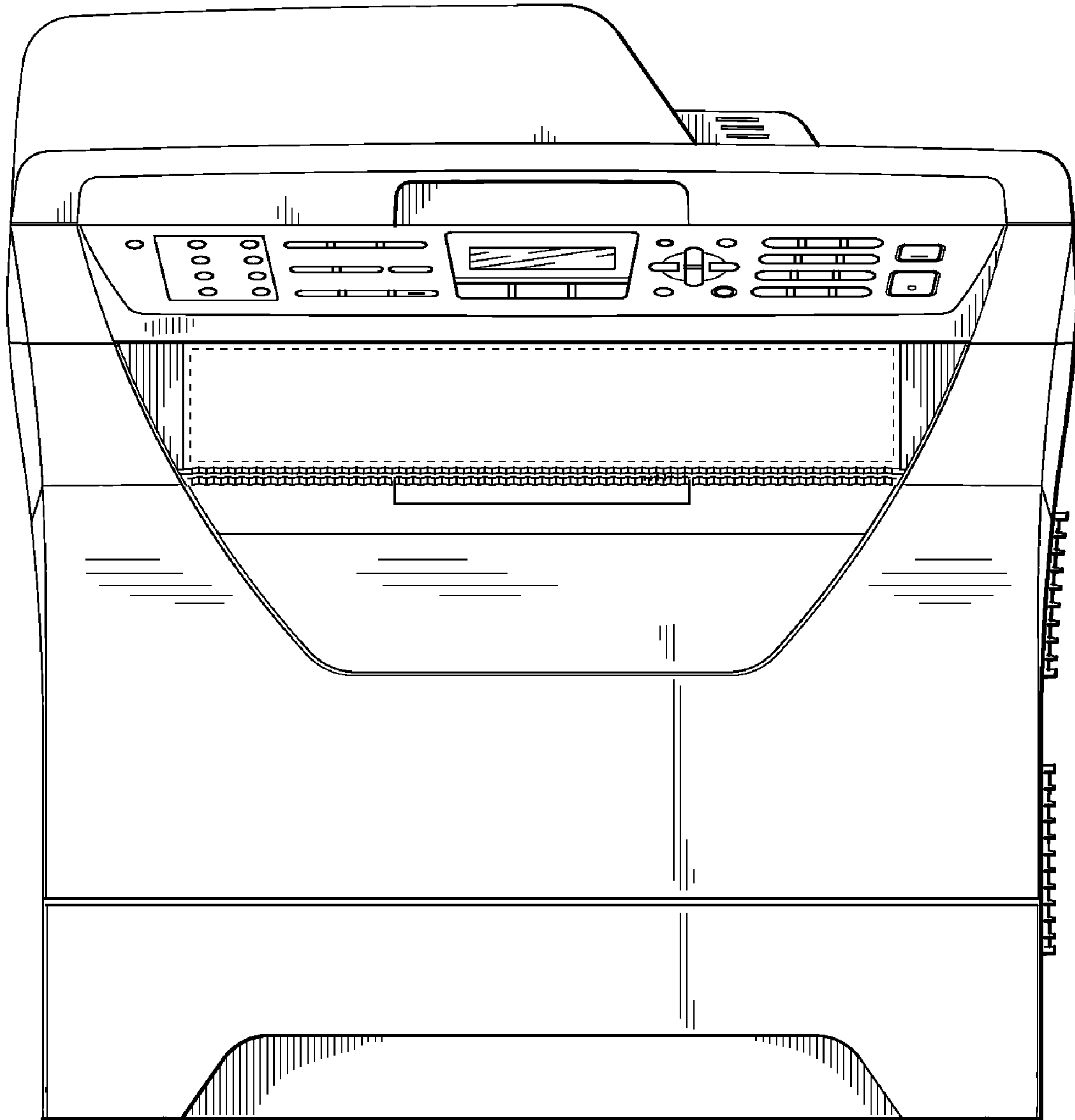


FIG. 2

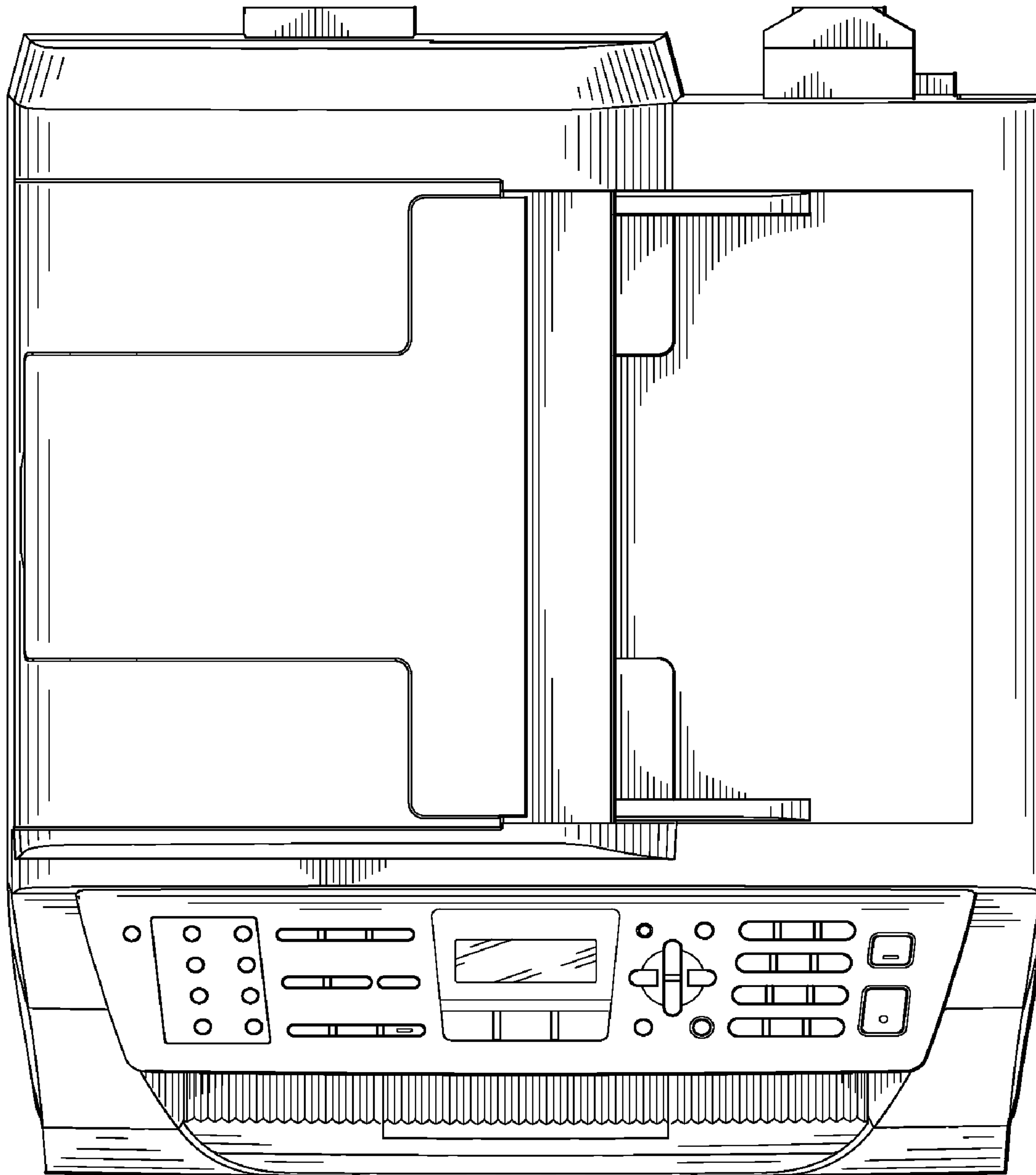


FIG. 3

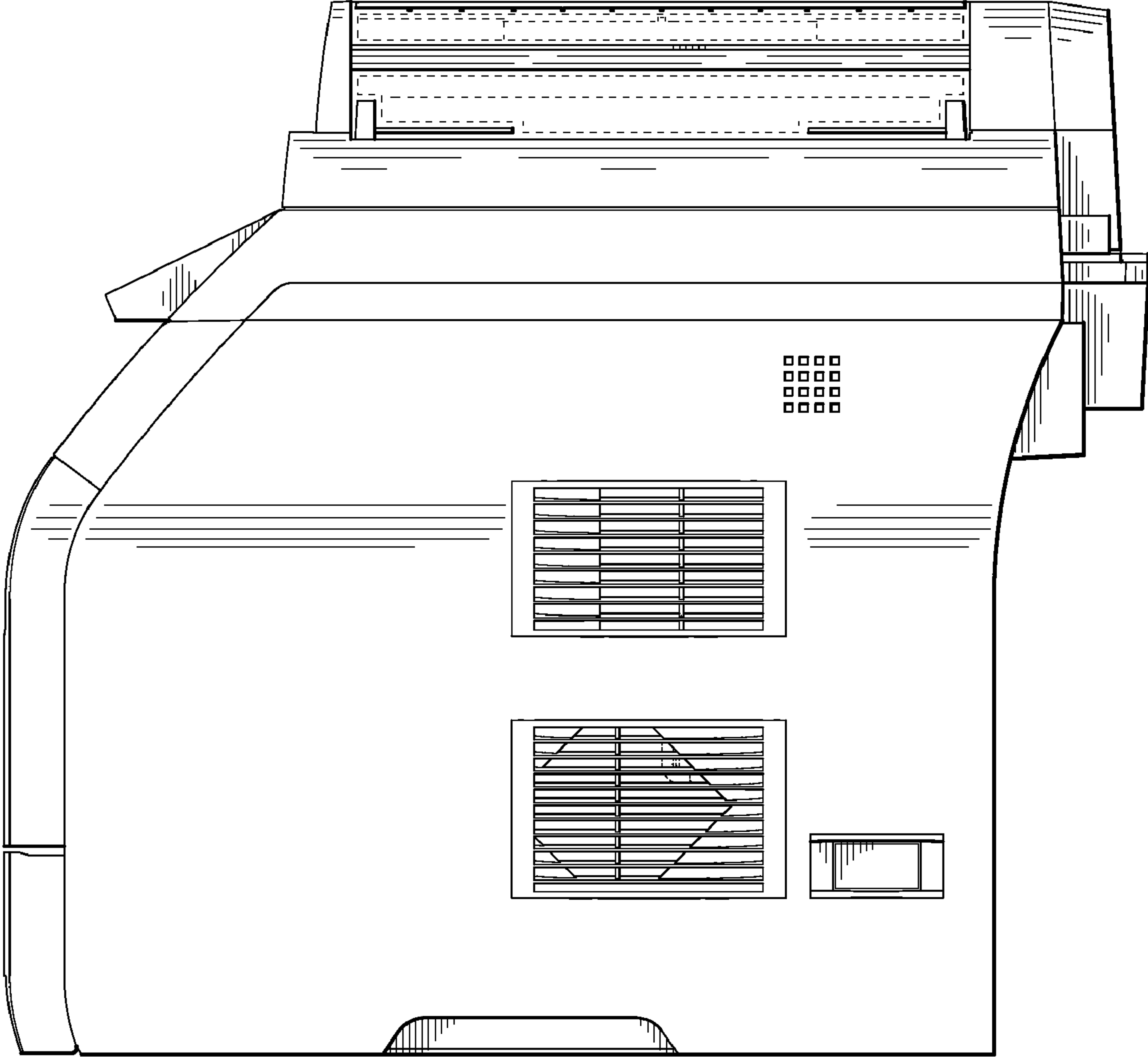


FIG. 4

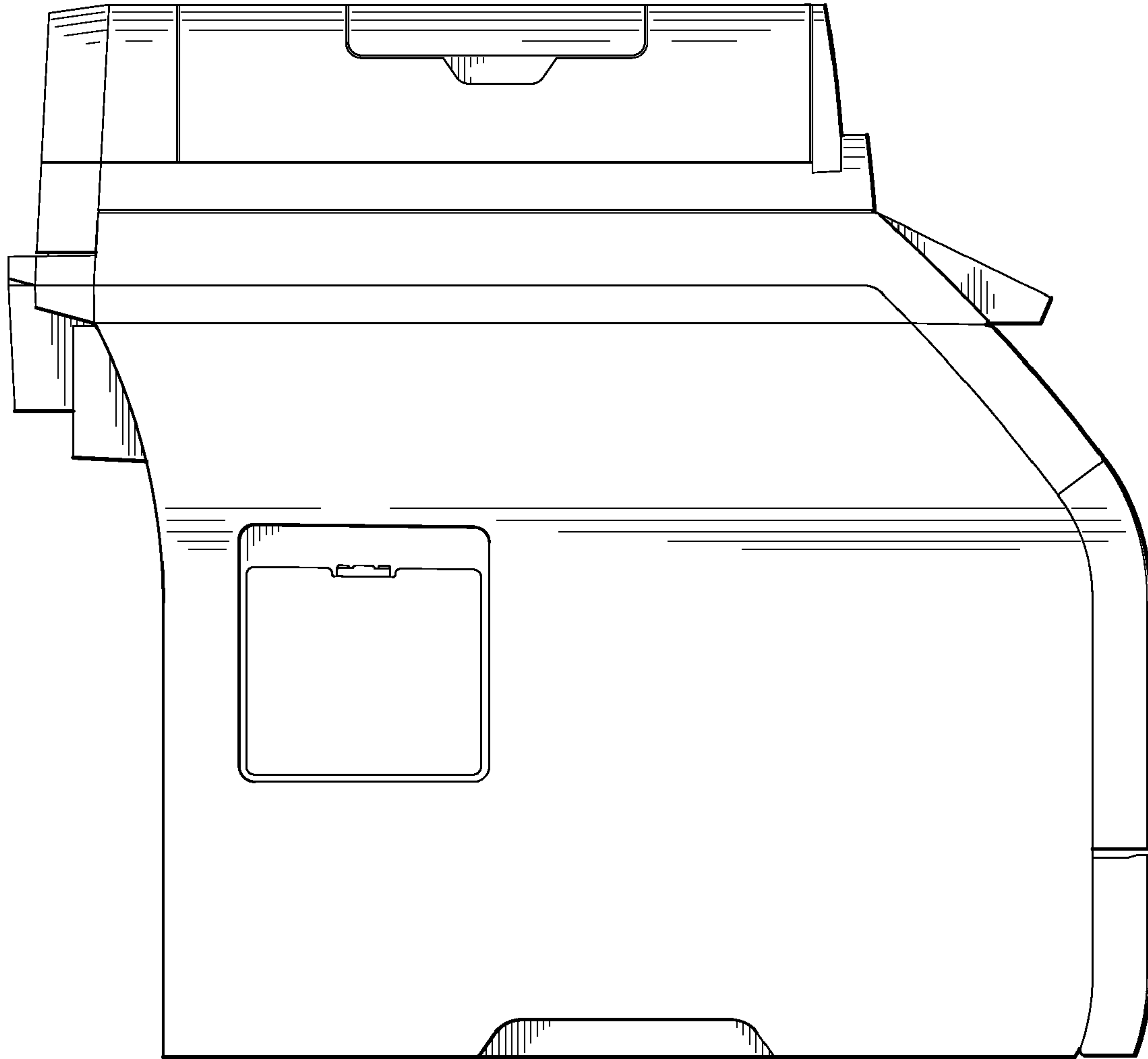


FIG. 5



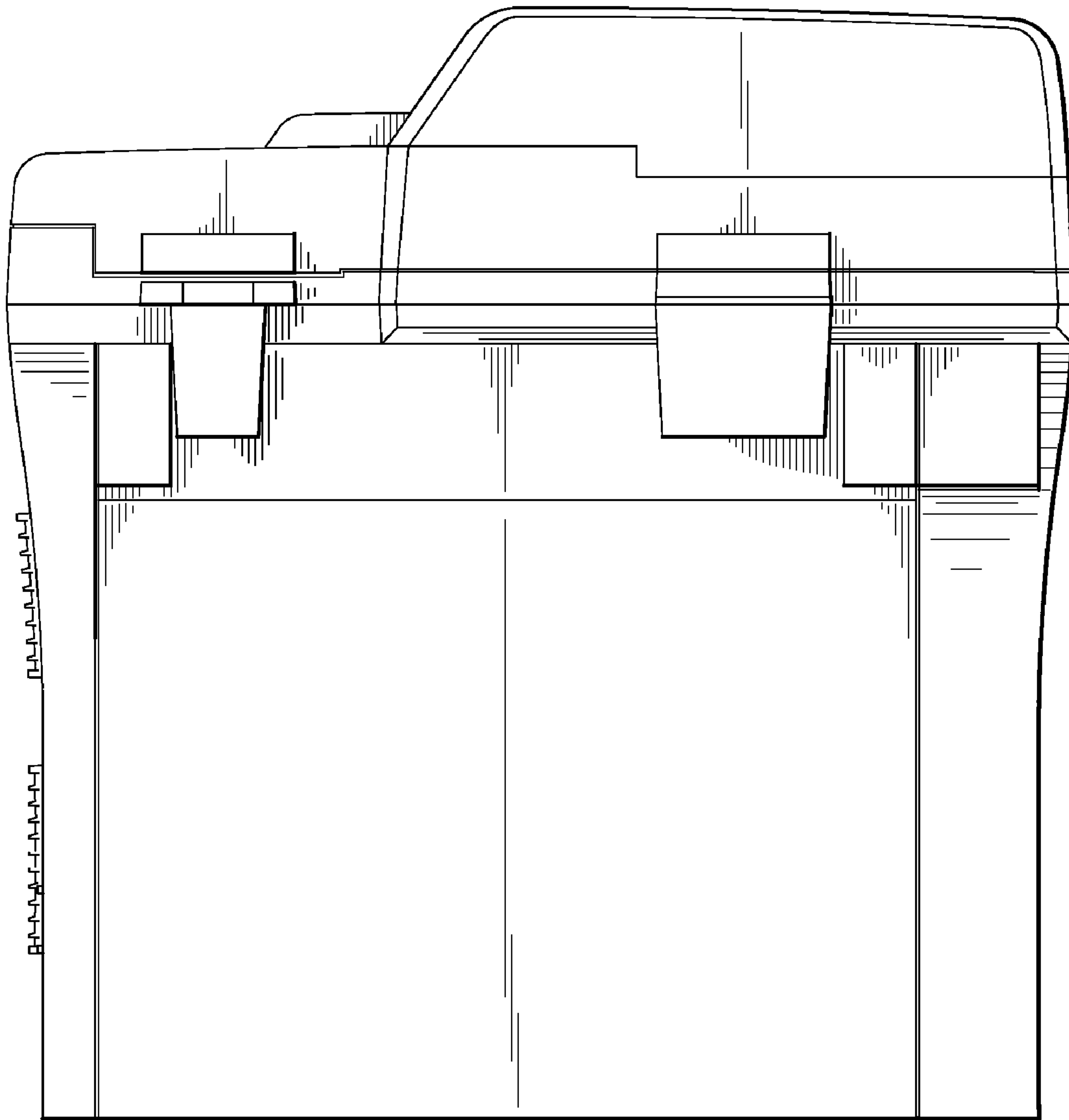


FIG. 6

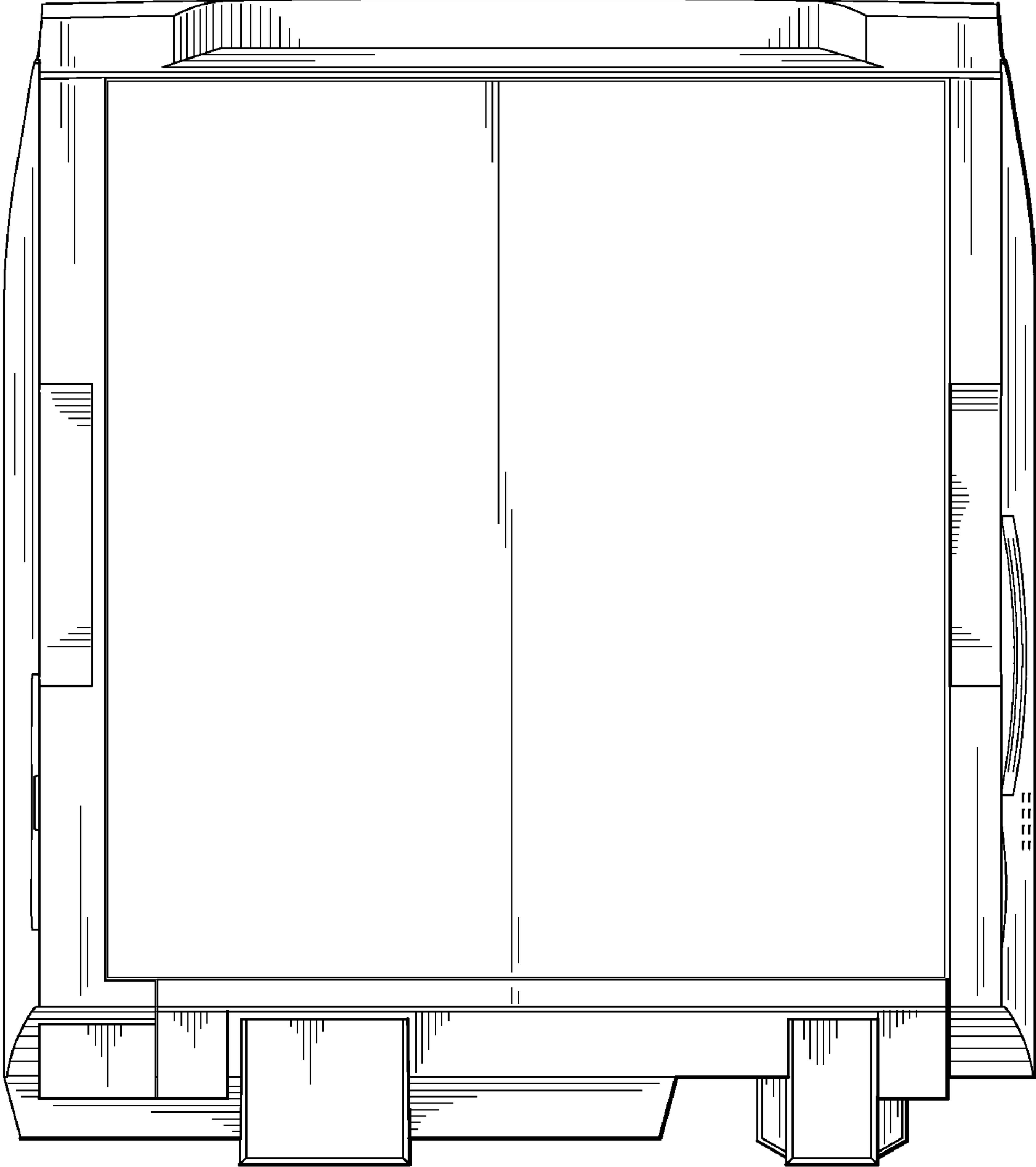


FIG. 7



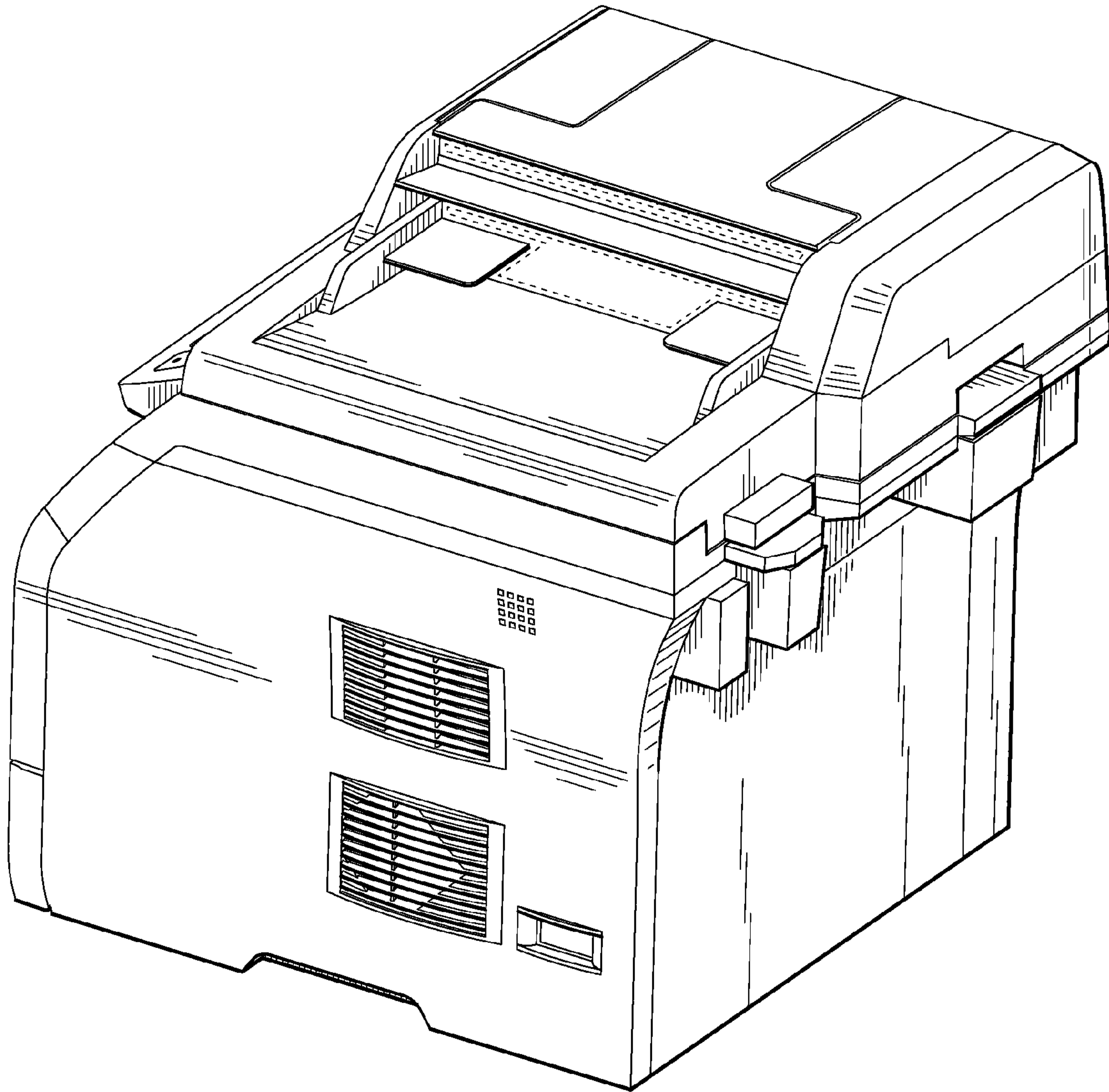


FIG. 8