



US00D614230S

(12) **United States Design Patent**
Hidaka

(10) **Patent No.:** **US D614,230 S**
(45) **Date of Patent:** **** Apr. 20, 2010**

(54) **PAYMENT TERMINAL**

(75) Inventor: **Masataka Hidaka**, Fukuoka-ken (JP)

(73) Assignee: **Panasonic Corporation**, Osaka (JP)

(**) Term: **14 Years**

(21) Appl. No.: **29/342,957**

(22) Filed: **Sep. 3, 2009**

(30) **Foreign Application Priority Data**

Mar. 3, 2009 (JP) 2009-004592

(51) **LOC (9) Cl.** **18-01**

(52) **U.S. Cl.** **D18/12; D18/4.6**

(58) **Field of Classification Search** D14/218,
D14/336, 341-347, 371-376, 387; D18/1,
D18/2, 3.1-3.3, 4.1-4.6, 5-12, 12.1-12.3;
D21/324, 329, 332, 512; D99/28, 34-38,
D99/40; 235/1 E, 2, 7 R, 12, 22, 33, 51,
235/52, 58 R, 59 A, 59 BC-59 BH, 59 CP,
235/59 T, 59 TP, 61 R

See application file for complete search history.

(56) **References Cited**

U.S. PATENT DOCUMENTS

D111,190 S * 9/1938 Payne et al. D18/5
D233,349 S * 10/1974 Bellini D18/7
D292,709 S 11/1987 Kosako
D303,112 S 8/1989 Desrochers
D313,224 S 12/1990 Yokoi et al.
D348,896 S 7/1994 Kumar et al.
D350,119 S 8/1994 Kumar et al.
D372,730 S 8/1996 Sasaki
D400,189 S 10/1998 Yotukura
D403,667 S 1/1999 Musha

D408,442 S * 4/1999 Lun D18/11
D429,226 S 8/2000 Siddoway et al.
D429,273 S * 8/2000 Maree et al. D18/6
D431,590 S 10/2000 Brown et al.
D486,826 S * 2/2004 Janez et al. D14/387
D504,676 S * 5/2005 Borsboom D14/218
D547,361 S 7/2007 Henry
D554,694 S 11/2007 Slinckx
D564,015 S * 3/2008 Booty D18/7
D570,402 S 6/2008 Henry
D583,811 S * 12/2008 Griffin et al. D14/346
D605,635 S * 12/2009 Edahiro et al. D14/218

* cited by examiner

Primary Examiner—Caron Veynar

Assistant Examiner—Garth Rademaker

(74) *Attorney, Agent, or Firm*—Brinks Hofer Gilson & Lione

(57) **CLAIM**

The ornamental design for a payment terminal, as shown and described.

DESCRIPTION

FIG. 1 is a top perspective view of a payment terminal, showing the present invention;

FIG. 2 is a top view thereof;

FIG. 3 is a rear view thereof;

FIG. 4 is a first side view thereof;

FIG. 5 is a second side view thereof;

FIG. 6 is a front view thereof; and,

FIG. 7 is a bottom view thereof.

The broken lines depict environmental subject matter only and form no part of the claimed design.

1 Claim, 6 Drawing Sheets

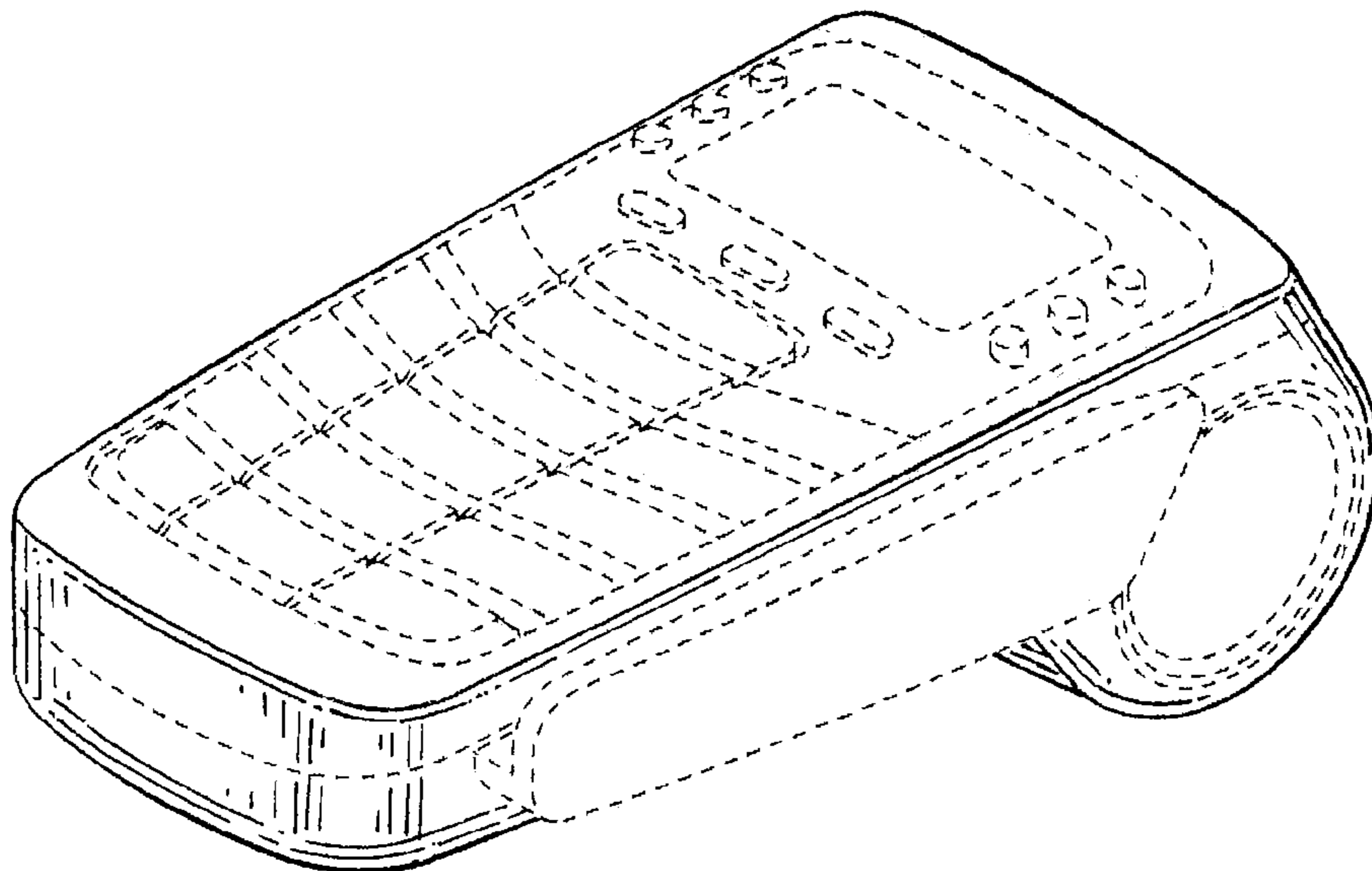


FIG.1

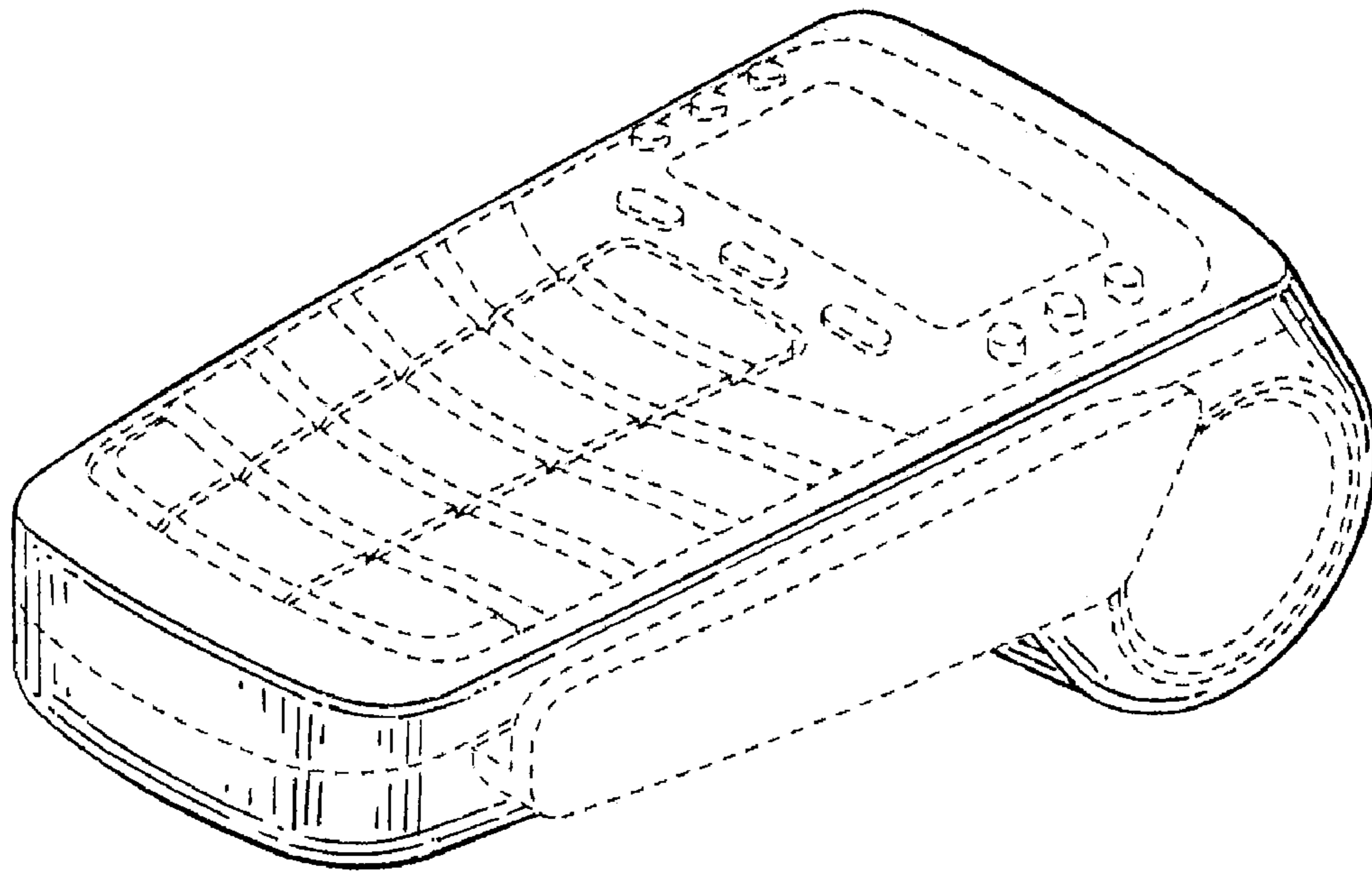


FIG.2

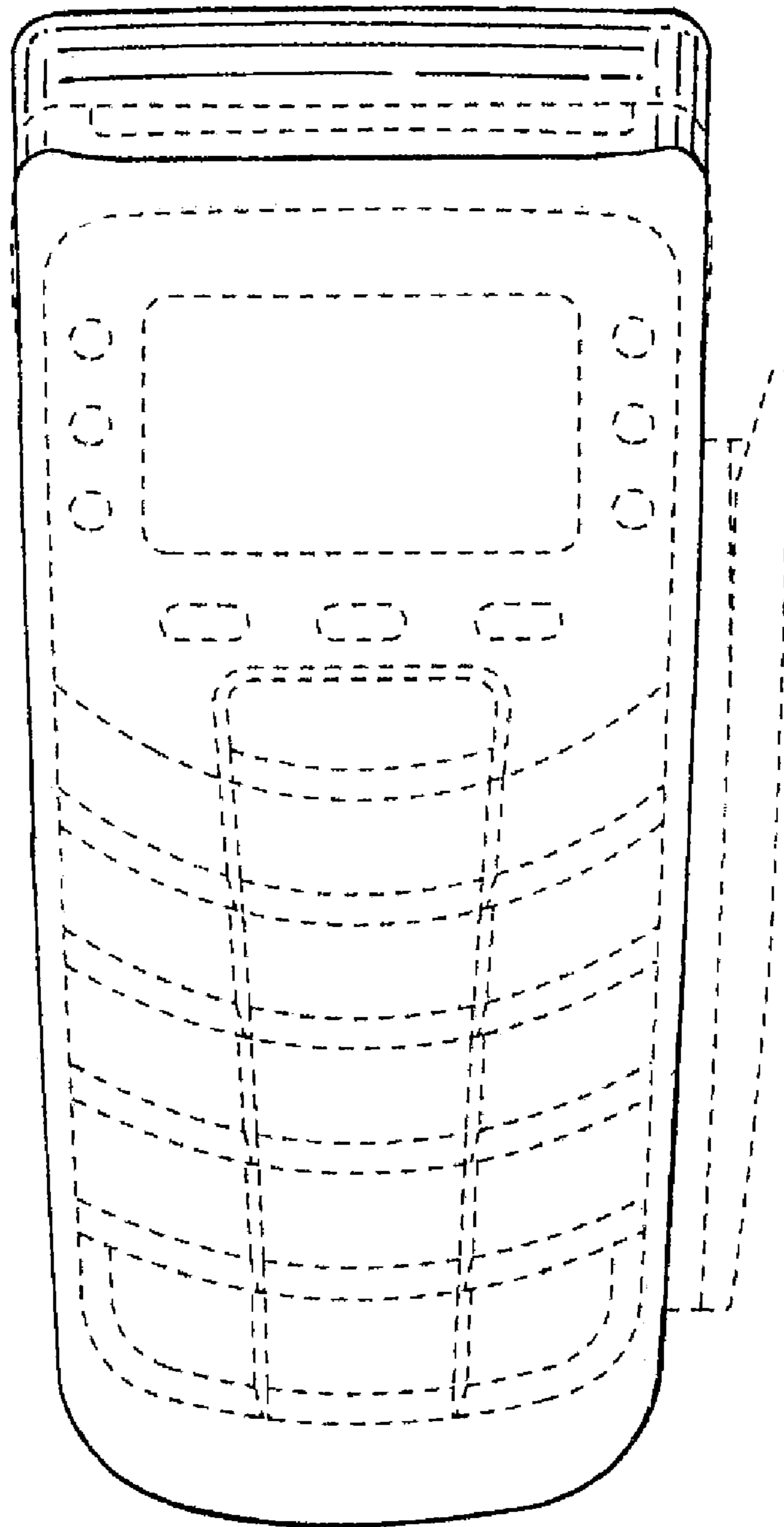


FIG.3

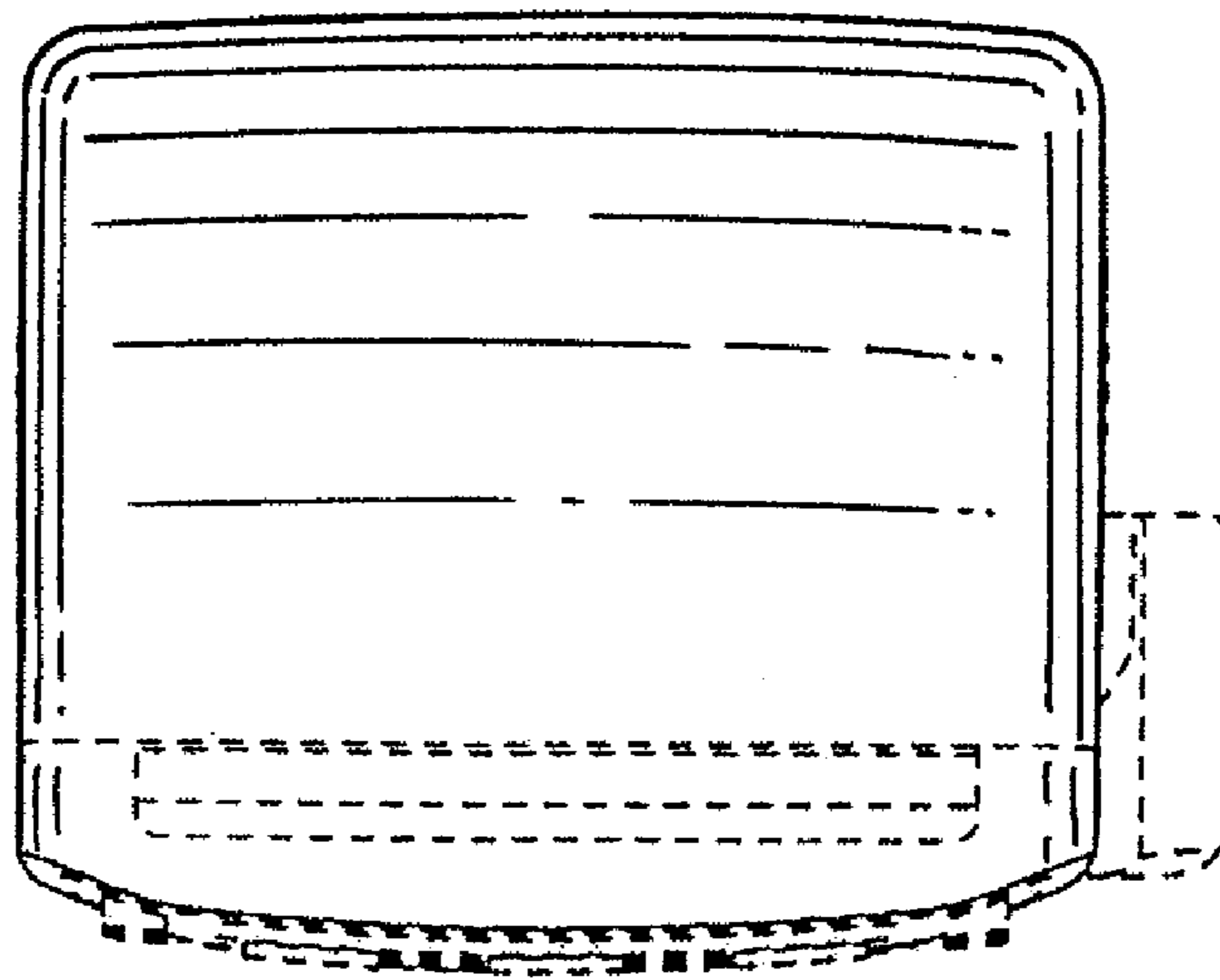


FIG.4

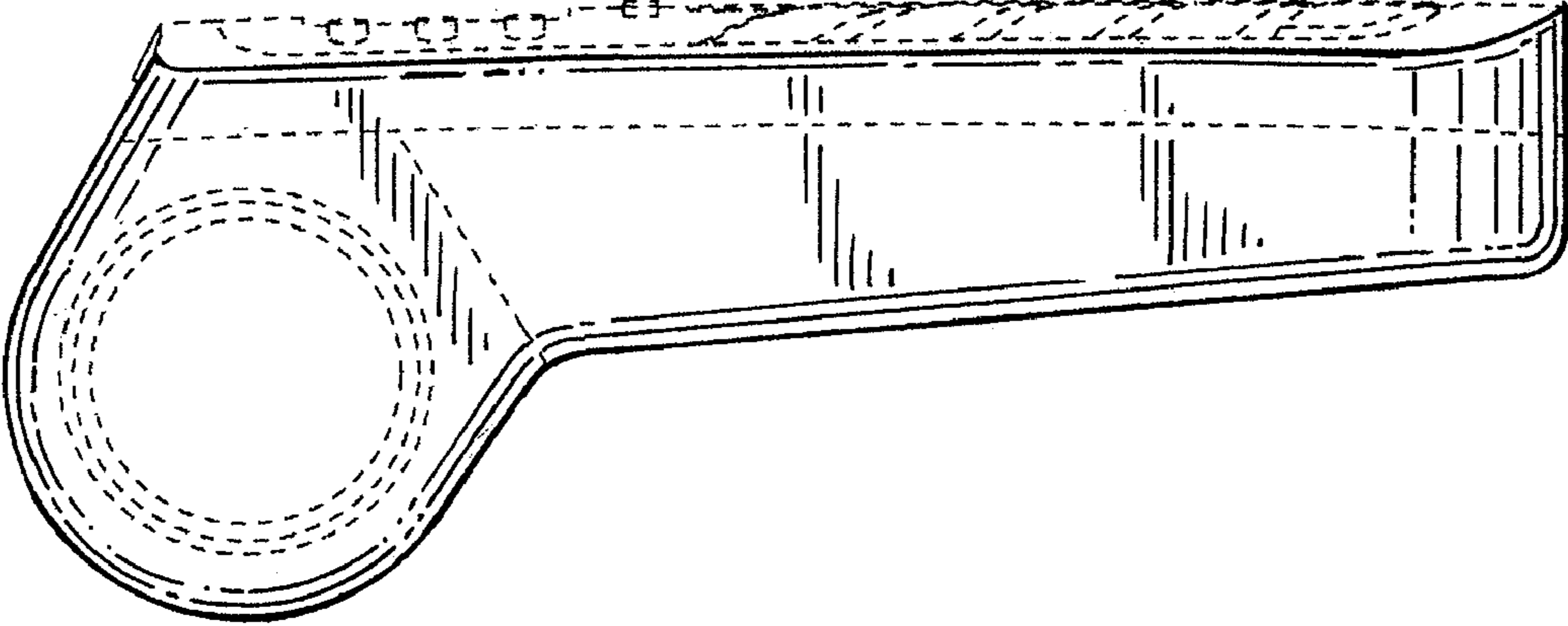


FIG.5

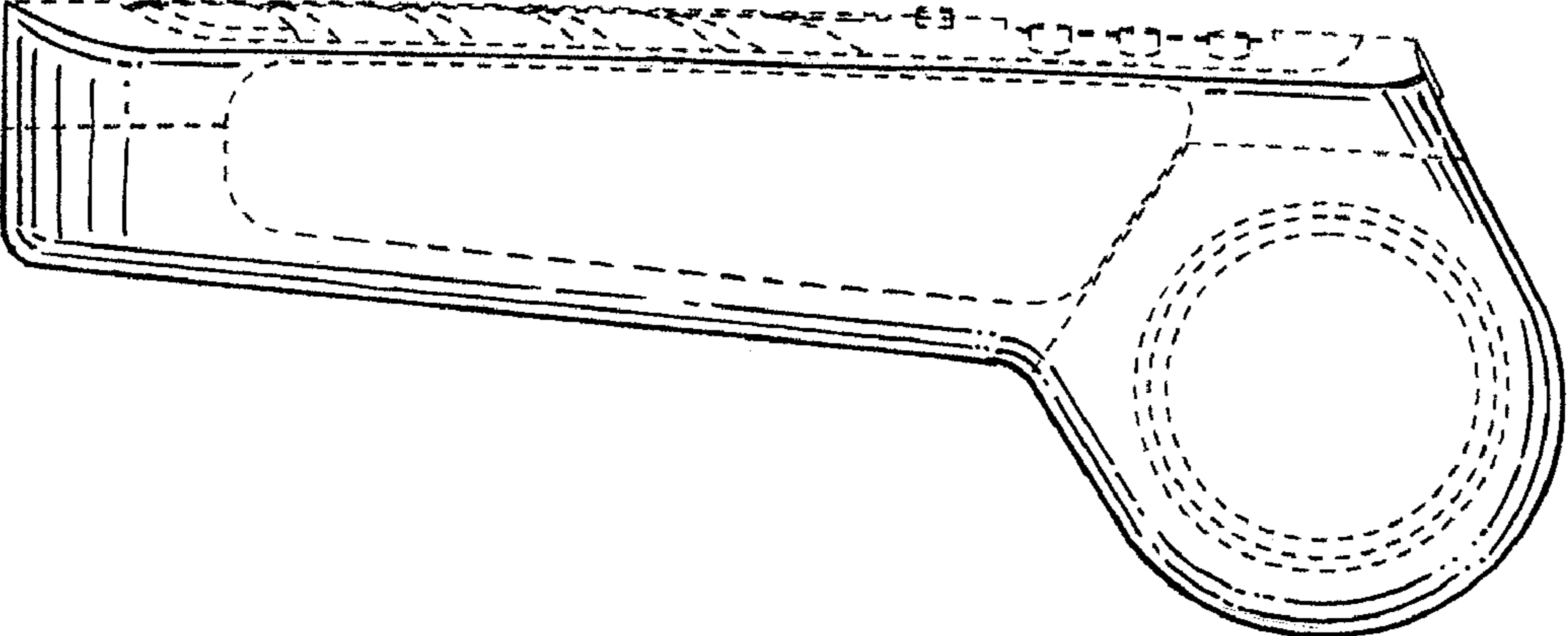


FIG.6

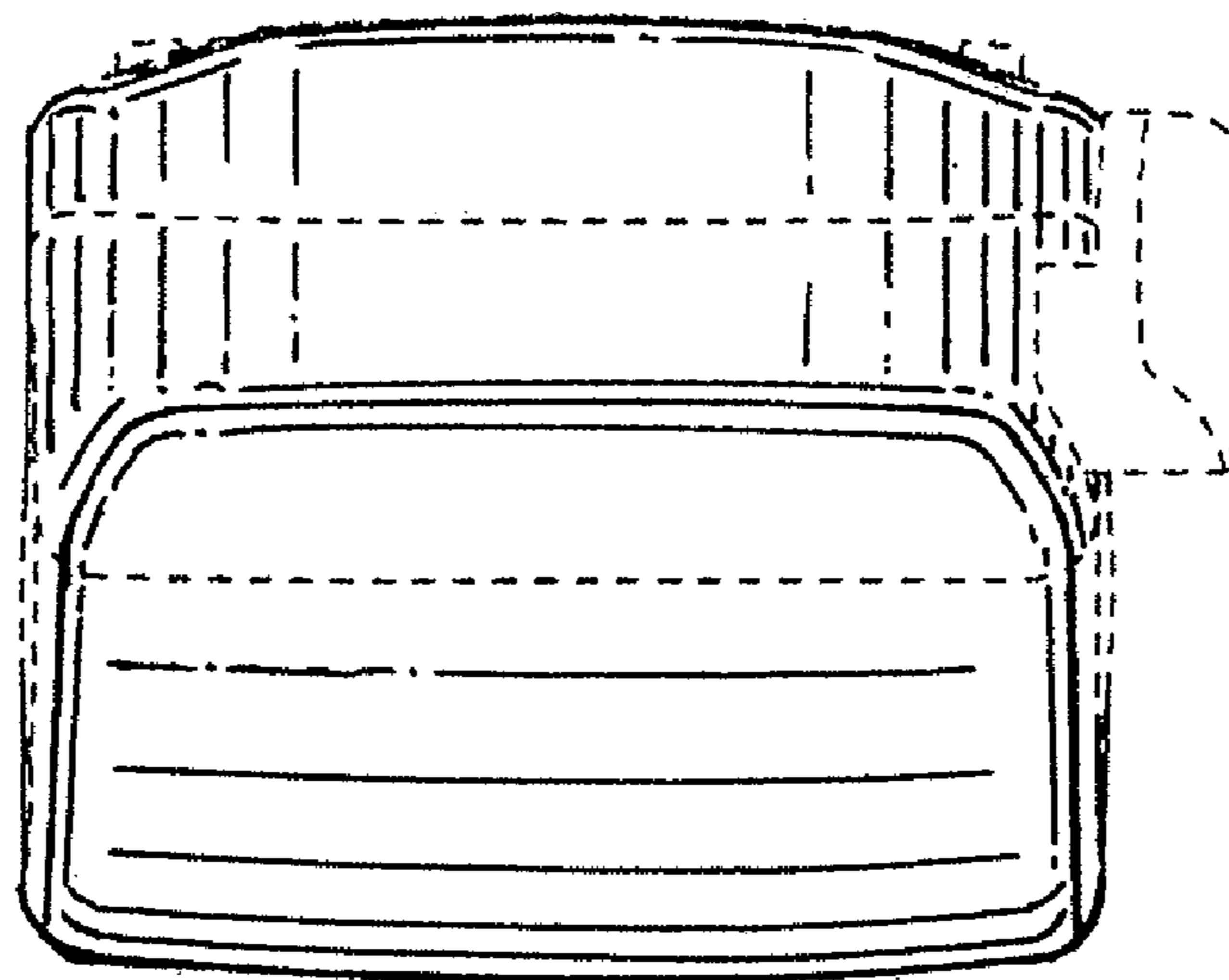


FIG.7

