



US00D614229S

(12) **United States Design Patent**
Jarosz

(10) **Patent No.:** **US D614,229 S**

(45) **Date of Patent:** **** Apr. 20, 2010**

(54) **EXTERNAL MUTE FOR BRASS MUSICAL INSTRUMENTS**

D386,198 S * 11/1997 Hamanaga D17/13
D484,174 S * 12/2003 Collins D17/13
D505,692 S * 5/2005 Lee D17/13

(76) Inventor: **Michael Jarosz**, 1030 Emerald Ave.,
Haddon Township, NJ (US) 08108

* cited by examiner

(**) Term: **14 Years**

Primary Examiner—Ian Simmons
Assistant Examiner—R. Johnson

(21) Appl. No.: **29/340,265**

(57) **CLAIM**

(22) Filed: **Jul. 15, 2009**

I claim the ornamental design for an external mute for brass musical instruments, as shown and described.

(51) **LOC (9) Cl.** **17-02**

(52) **U.S. Cl.** **D17/13**

(58) **Field of Classification Search** D17/10,
D17/13, 99; 84/387 R, 400, 453

See application file for complete search history.

DESCRIPTION

(56) **References Cited**

FIG. 1 is a top, front and right side perspective view of an external mute for brass musical instruments showing my new design;

FIG. 2 is a left side elevational view thereof;

FIG. 3 is a back elevational view thereof;

FIG. 4 is a front elevated view thereof;

FIG. 5 is a top plan view thereof;

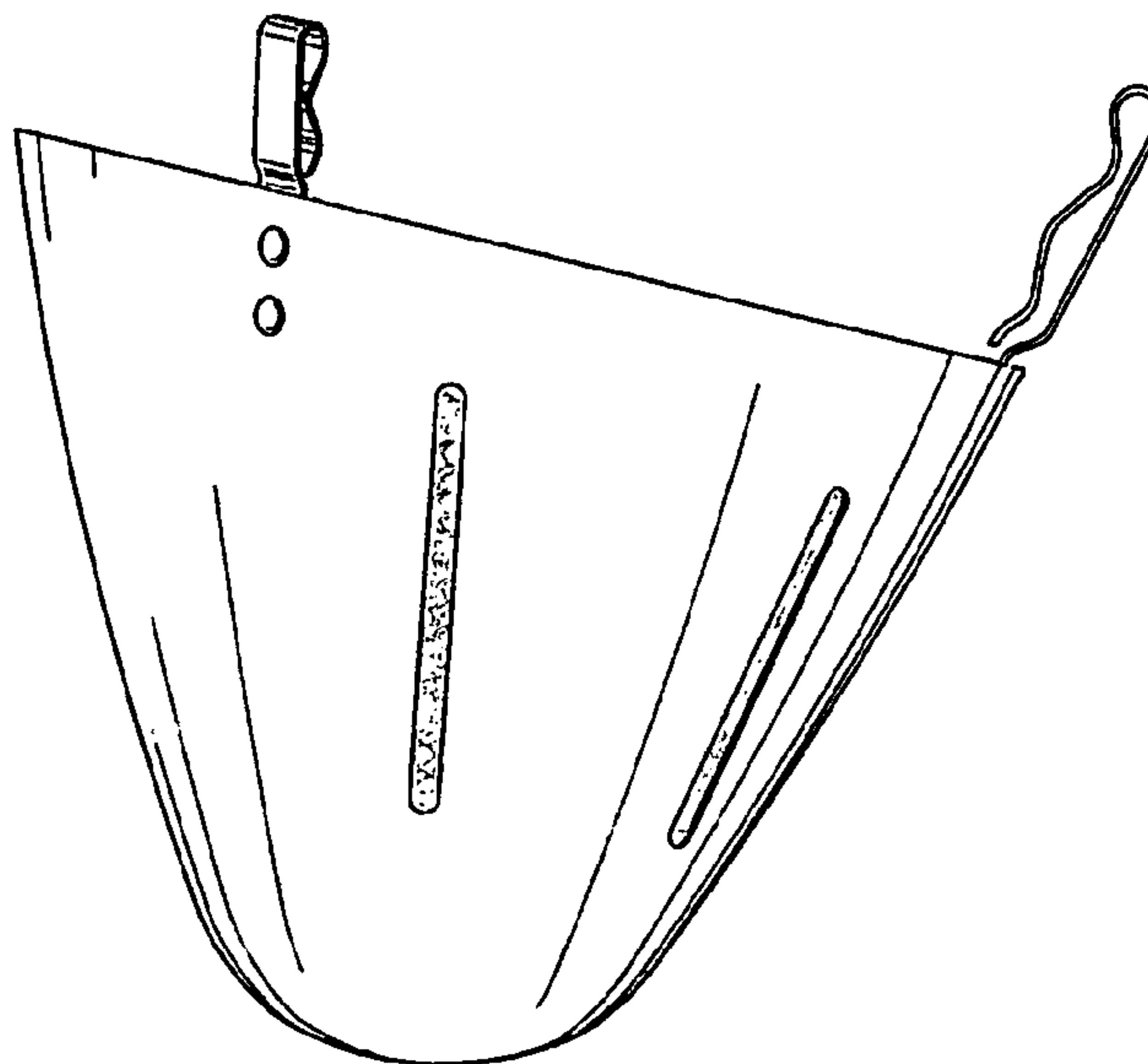
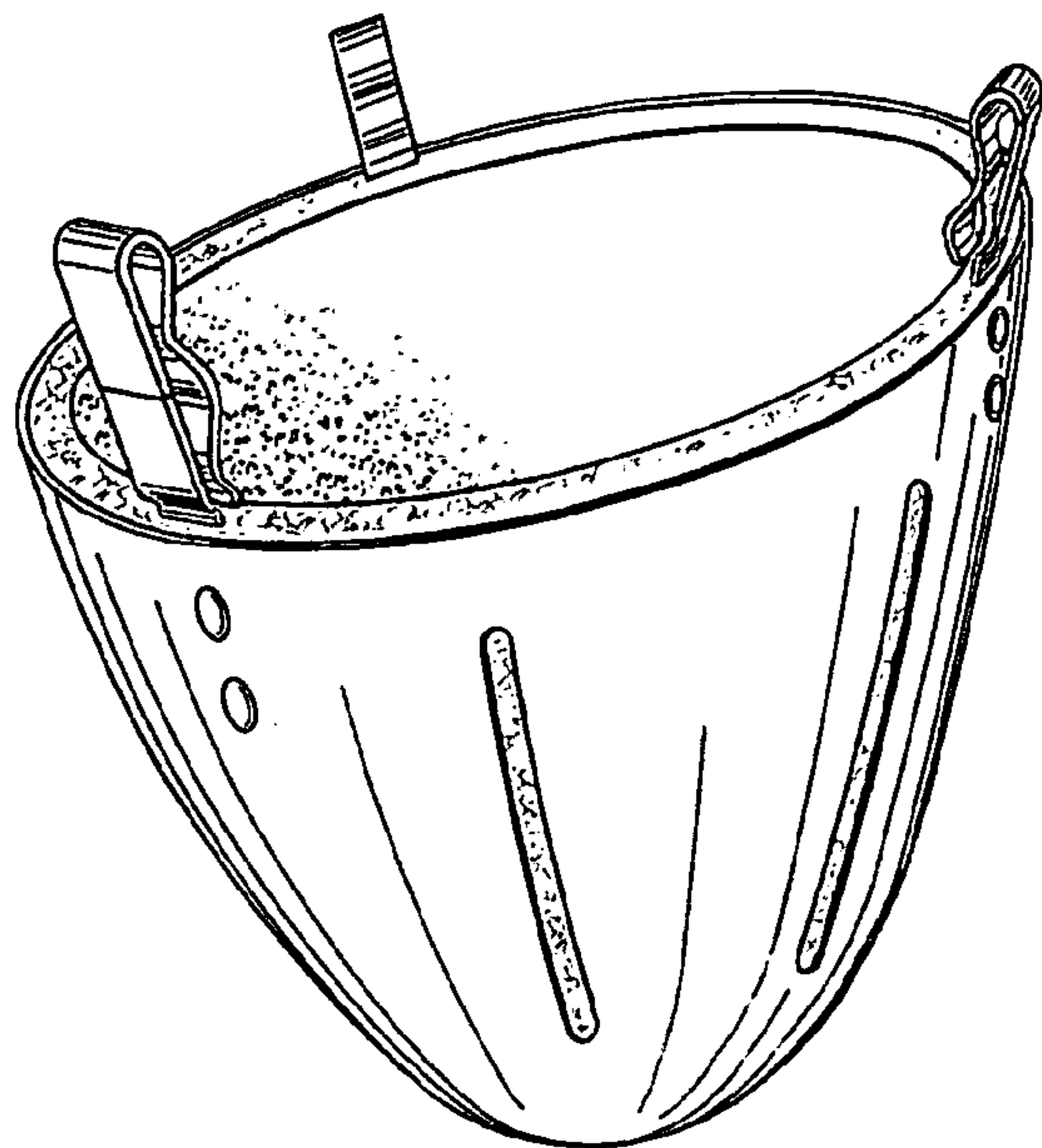
FIG. 6 is a bottom plan view thereof; and,

FIG. 7 is an enlarged front perspective view thereof.

U.S. PATENT DOCUMENTS

1,489,629 A * 4/1924 Cheney 84/400
1,547,900 A * 7/1925 Chiaffarelli 84/400
D131,016 S * 1/1942 Berg D17/13
2,571,809 A * 10/1951 Altosino 84/400
4,203,180 A * 5/1980 Striplin 24/17 B
D258,215 S * 2/1981 Berg D17/13
4,615,935 A * 10/1986 Bendig et al. 442/277
4,632,095 A * 12/1986 Libin 601/135

1 Claim, 3 Drawing Sheets



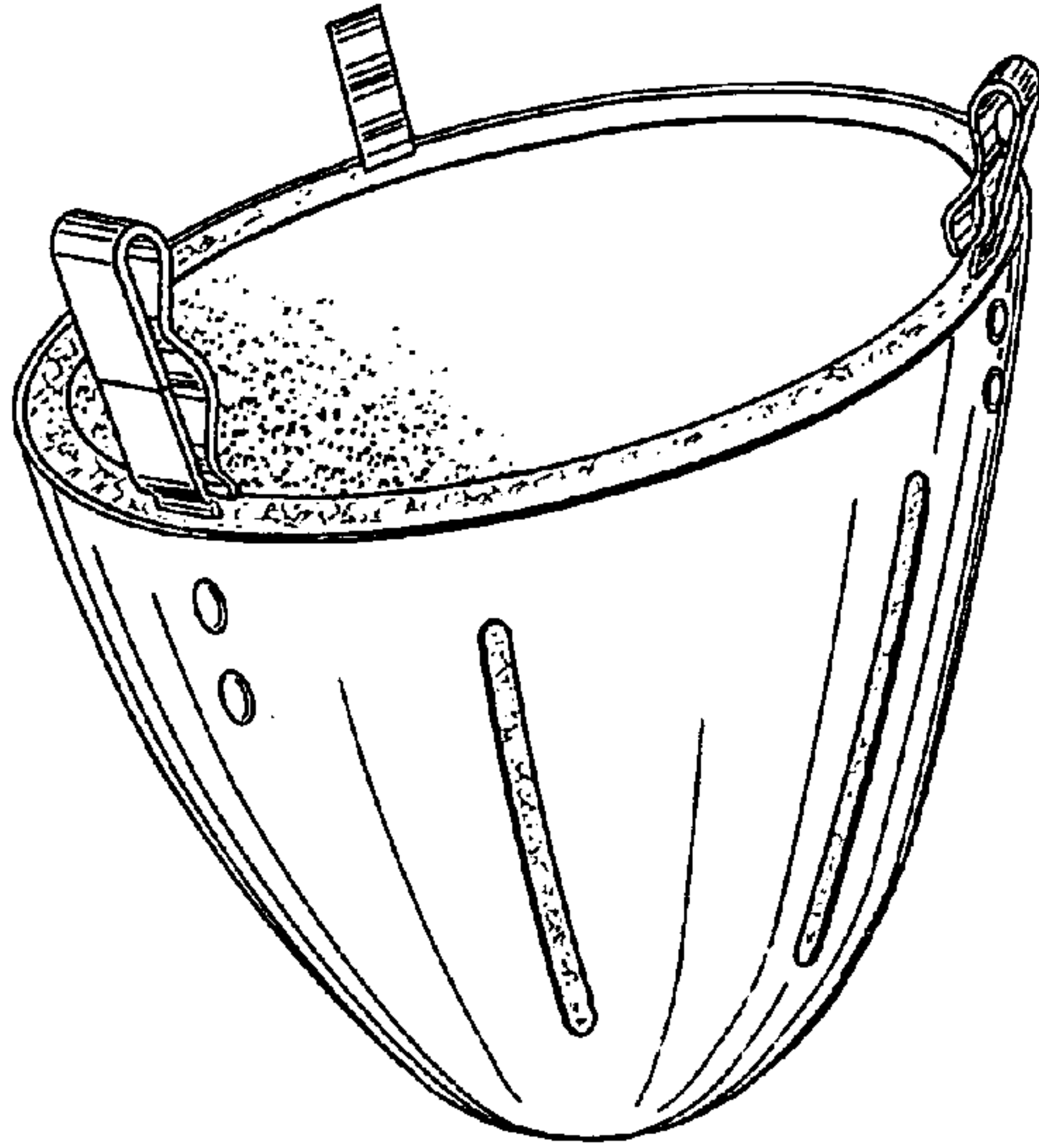


FIG. 1

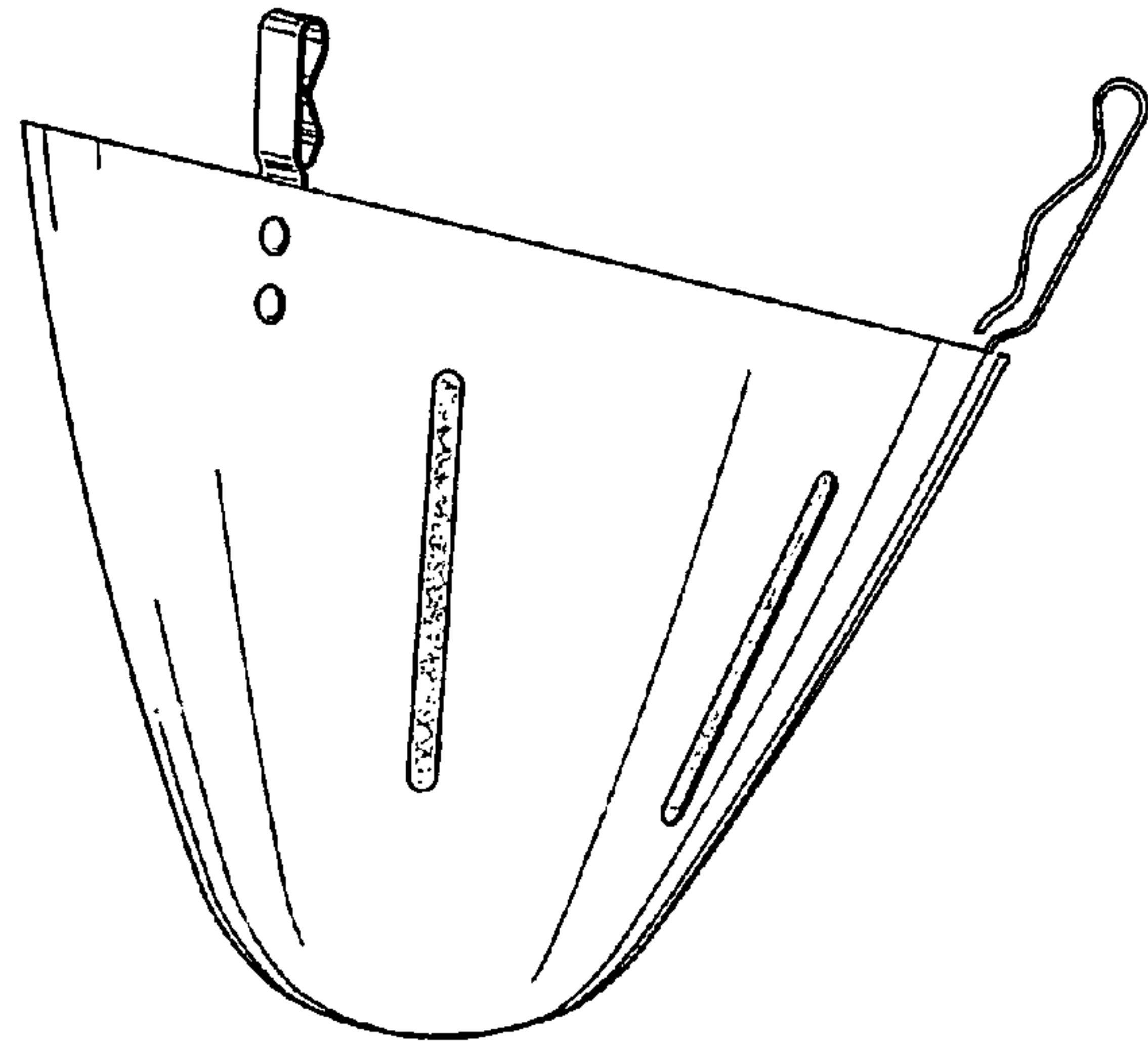


FIG. 2

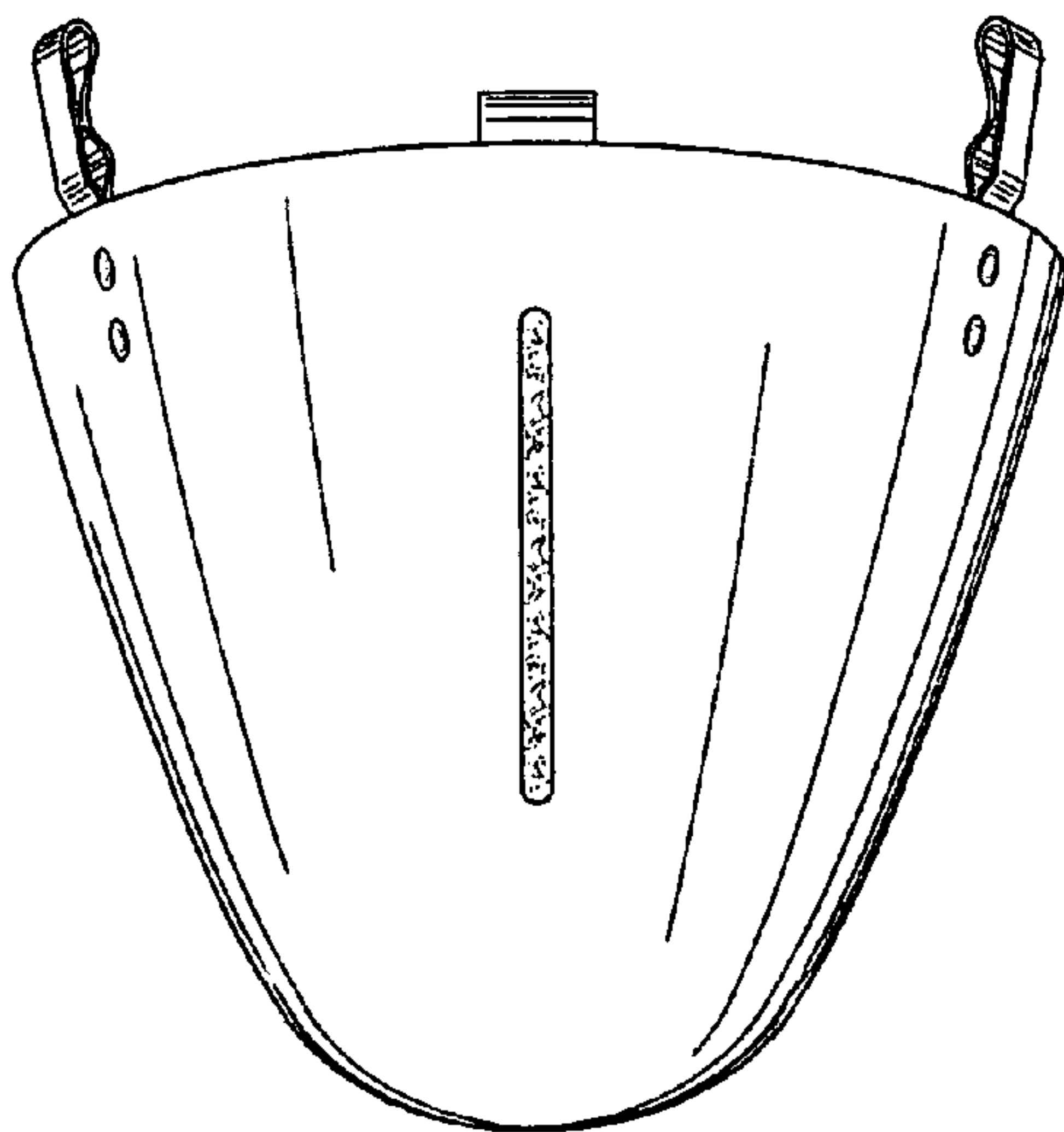


FIG. 3

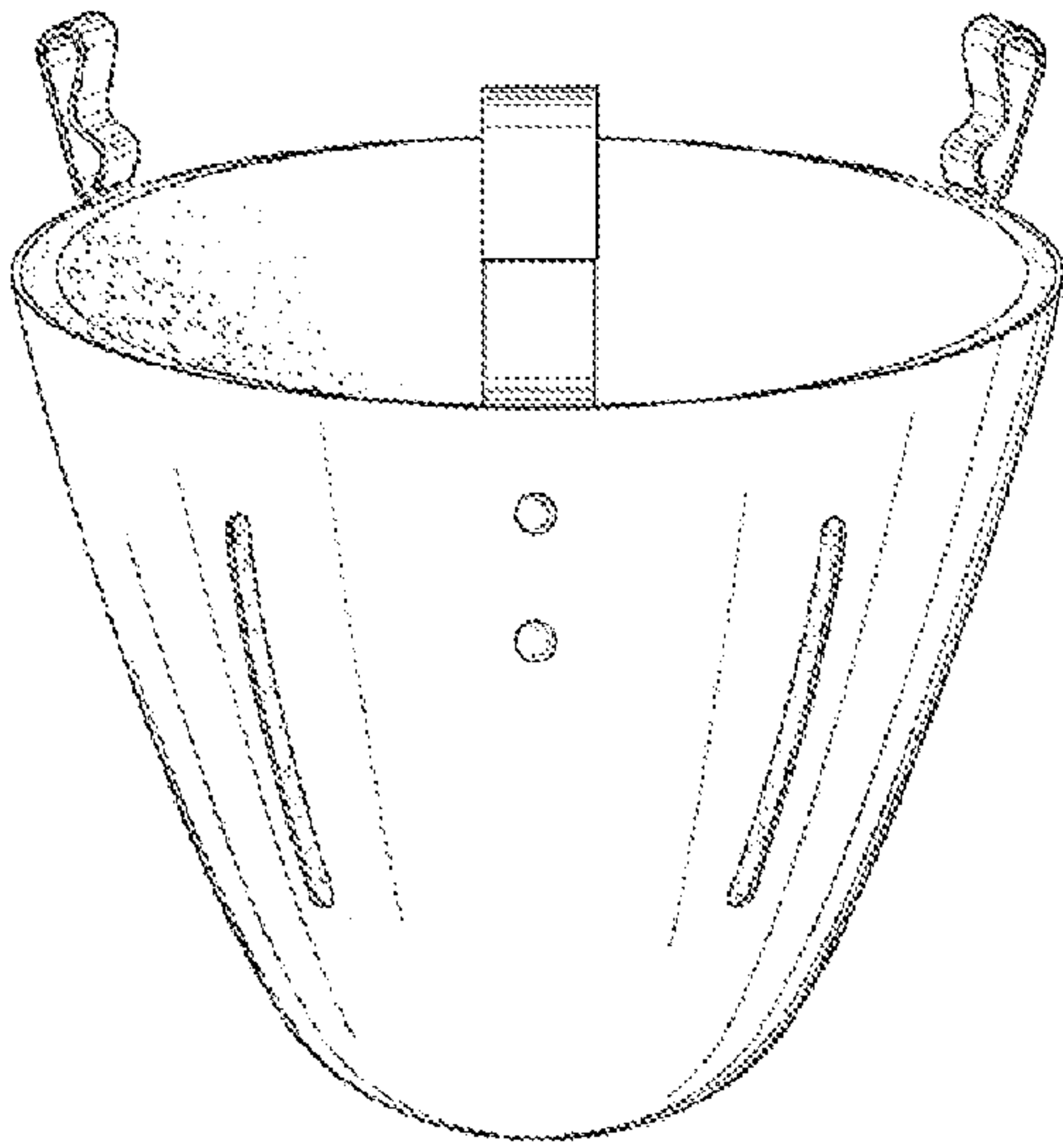


FIG. 4

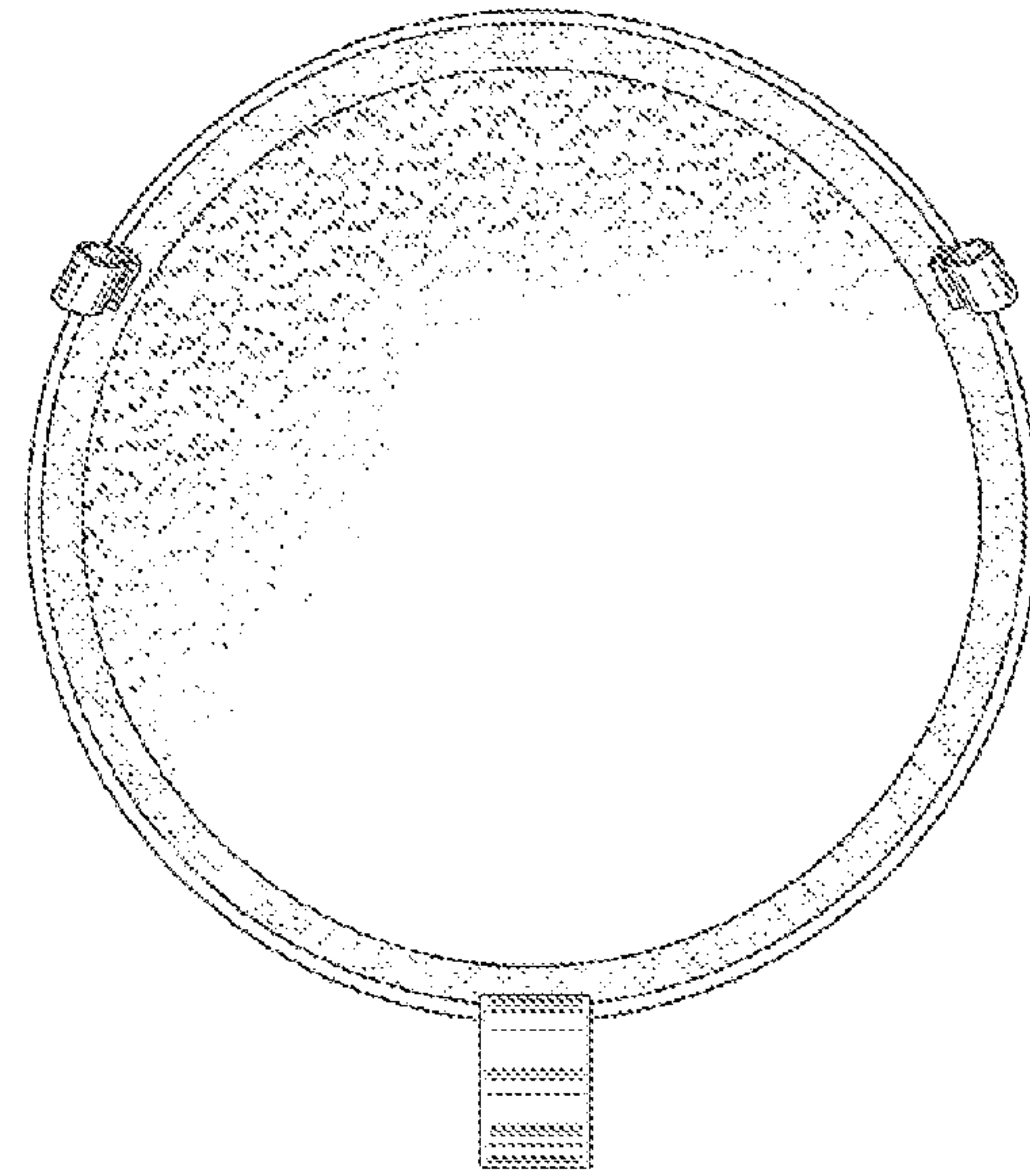


FIG. 5

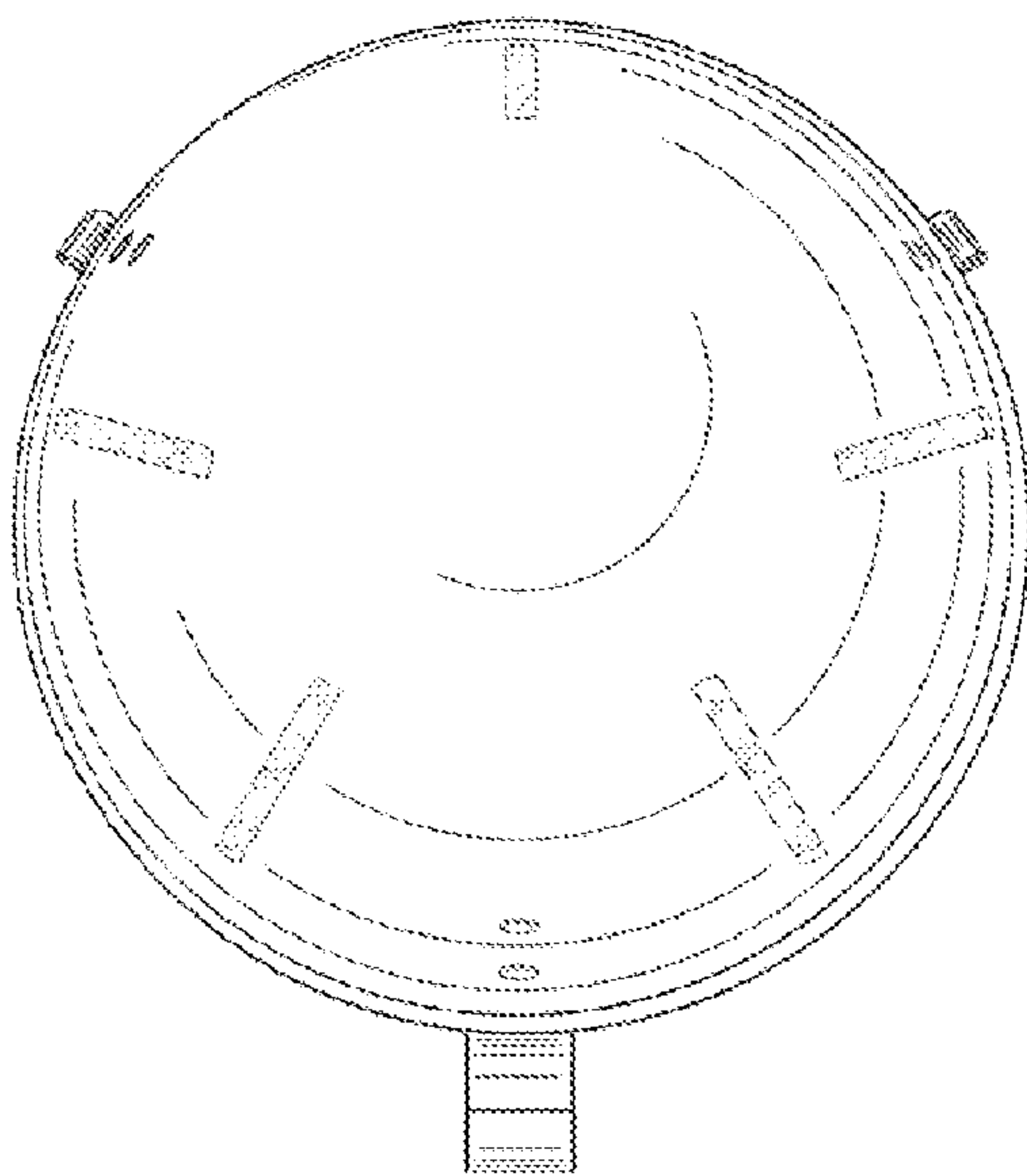


FIG. 6

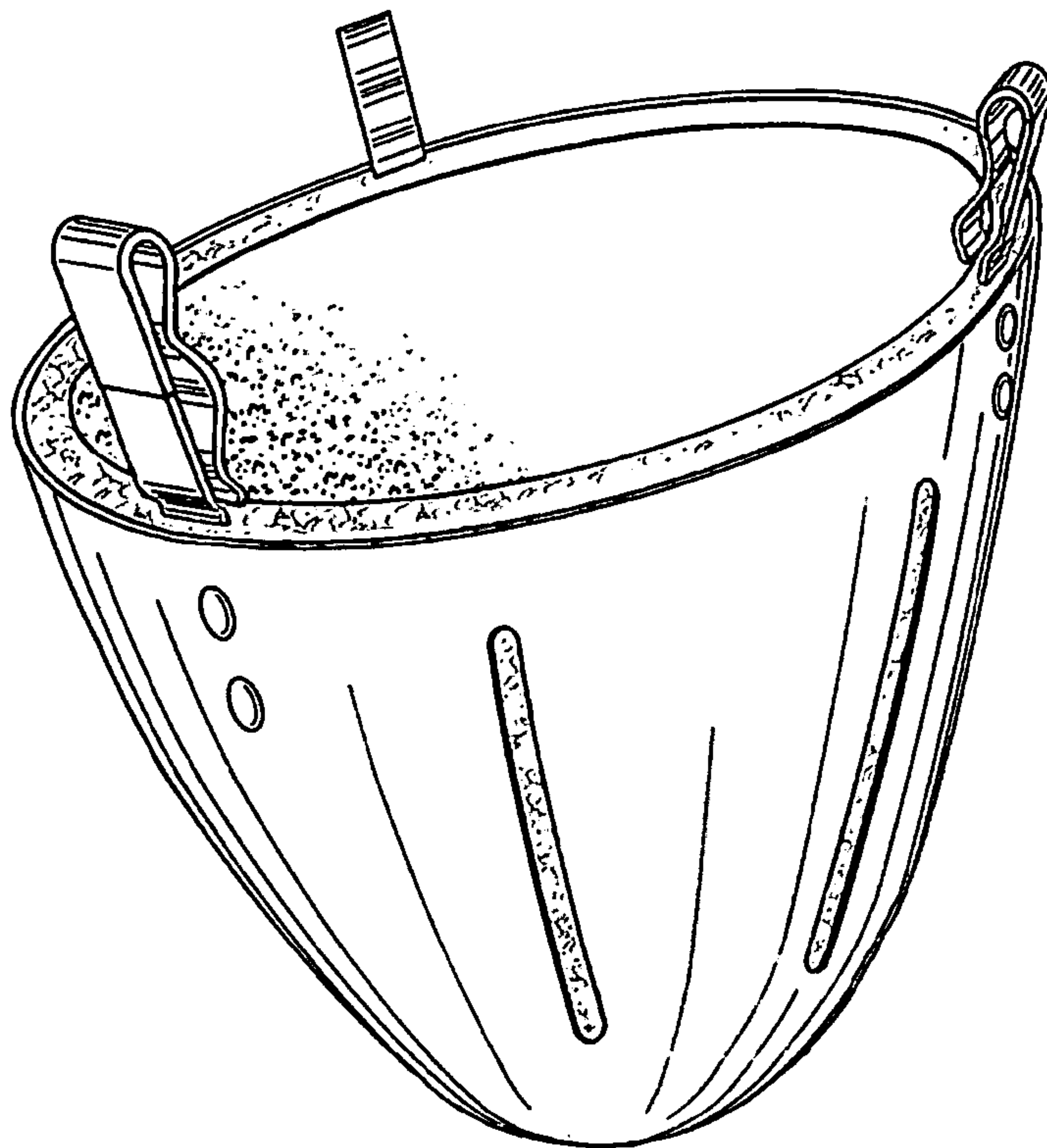


FIG. 7