



US00D614225S

(12) **United States Design Patent**  
**Adams et al.**

(10) **Patent No.:** **US D614,225 S**

(45) **Date of Patent:** **\*\* Apr. 20, 2010**

(54) **PORTABLE FRONT PROJECTION SCREEN**

D596,657 S \* 7/2009 Adams et al. .... D16/241  
2009/0122400 A1 5/2009 Adams et al.

(75) Inventors: **Douglas Adams**, Raleigh, NC (US);  
**Robert L. Wood**, Cary, NC (US);  
**Edward Fadel**, Hillsborough, NC (US);  
**Sean Hillard**, Raleigh, NC (US)

\* cited by examiner

*Primary Examiner*—Adir Aronovich  
(74) *Attorney, Agent, or Firm*—Myers Bigel Sibley & Sajovec, P.A.

(73) Assignee: **Bright View Technologies, Inc.**,  
Morrisville, NC (US)

(57) **CLAIM**

(\*\*) Term: **14 Years**

The ornamental design for a portable front projection screen, as shown and described.

(21) Appl. No.: **29/344,015**

(22) Filed: **Sep. 22, 2009**

**Related U.S. Application Data**

(62) Division of application No. 29/297,297, filed on Nov. 8, 2007, now Pat. No. Des. 602,973.

(51) **LOC (9) Cl.** ..... **16-05**

(52) **U.S. Cl.** ..... **D16/241**

(58) **Field of Classification Search** ..... D16/241;  
160/24; 359/443, 461; 396/3, 4  
See application file for complete search history.

**DESCRIPTION**

FIG. 1 is a front perspective view of a portable front projection screen shown in a closed configuration illustrating our design;

FIG. 2 is a side view thereof;

FIG. 3 is a top view thereof;

FIG. 4 is an opposing side view of that shown in FIG. 2;

FIG. 5 is a bottom view thereof;

FIG. 6 is an end view thereof;

FIG. 7 is an opposing end view thereof;

FIG. 8 is a front perspective view of the portable front projection screen shown in an open configuration;

FIG. 9 is a front view thereof;

FIG. 10 is a side view thereof;

FIG. 11 is an opposing side view thereof;

FIG. 12 is a rear view thereof;

FIG. 13 is a top view thereof;

FIG. 14 is a bottom view thereof; and,

FIG. 15 is a front perspective view thereof, illustrating the portable front projection screen in use and in optical communication with a front projector.

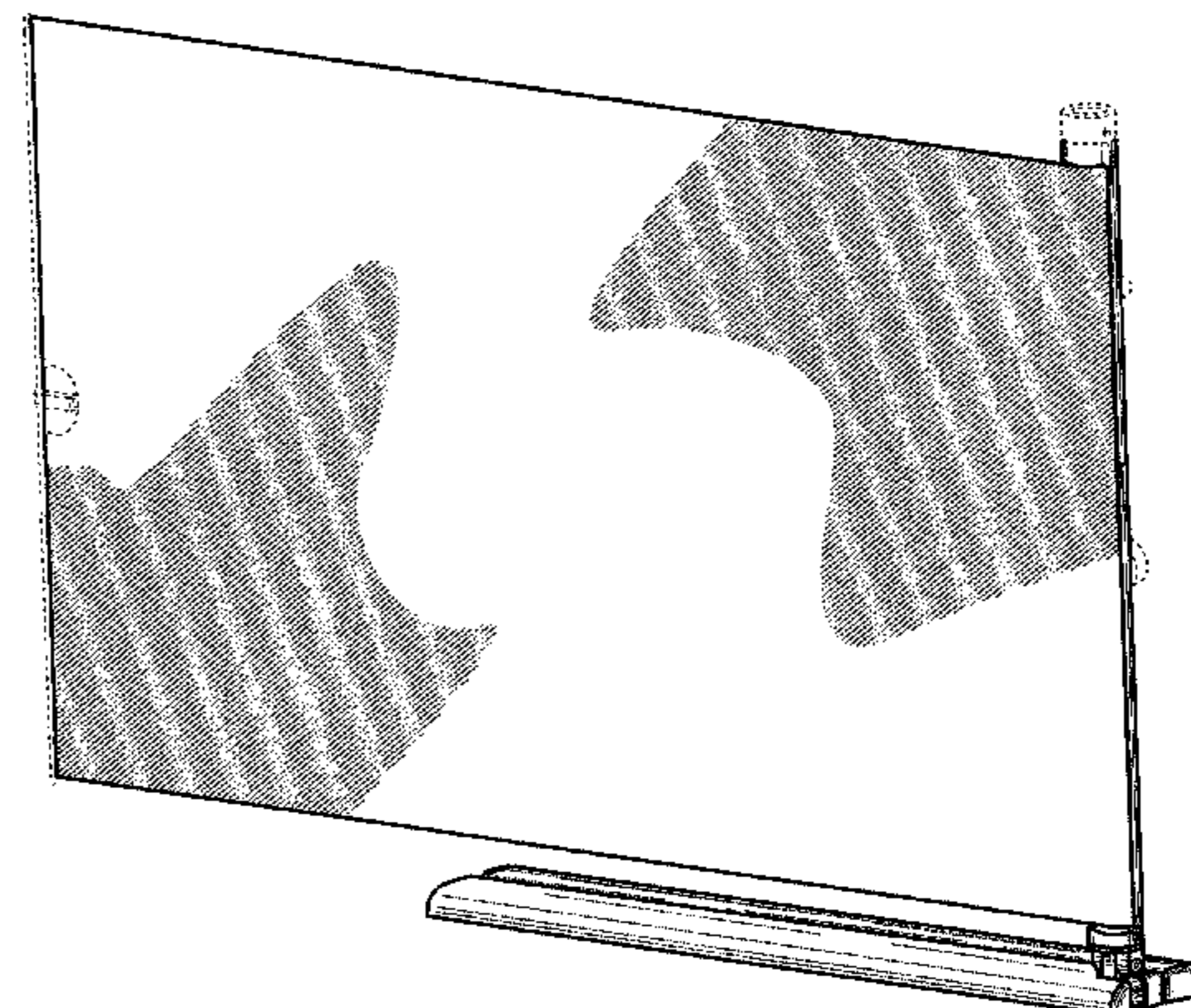
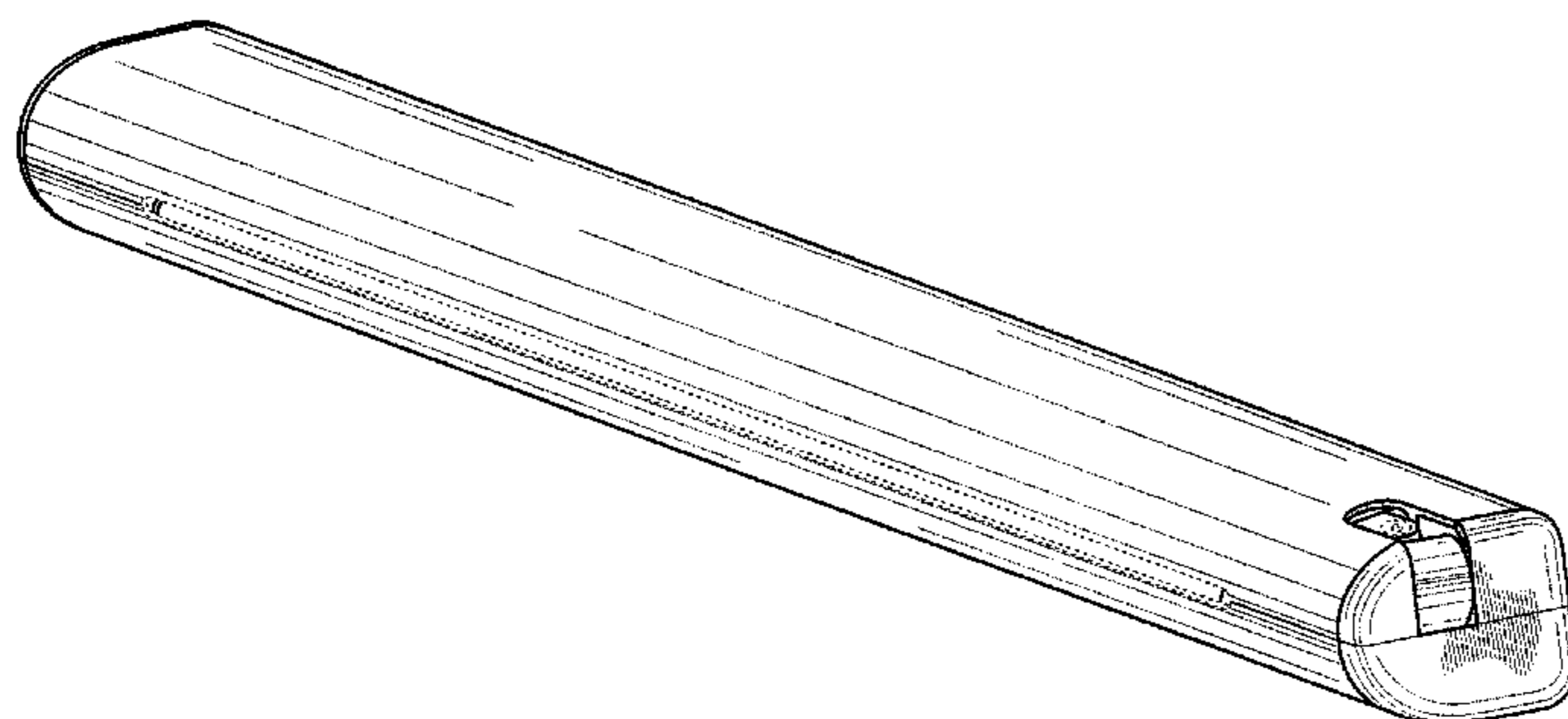
The broken lines including the front projector in FIG. 15 are shown to illustrate environment only and form no part of the claimed design.

(56) **References Cited**

**U.S. PATENT DOCUMENTS**

- D181,408 S \* 11/1957 Cooley et al. .... D16/241
- 3,251,264 A 5/1966 Jacobson
- D366,055 S \* 1/1996 Matsunaga et al. .... D16/241
- D490,835 S 6/2004 Kotera
- 6,873,458 B1 \* 3/2005 Bakkom et al. .... 359/461
- D520,046 S 5/2006 Miyagawa et al.
- 7,092,166 B1 8/2006 Wood
- 7,180,665 B2 \* 2/2007 Daniel et al. .... 359/461
- 7,192,692 B2 3/2007 Wood et al.
- 7,203,000 B2 \* 4/2007 Kotera ..... 359/461
- D548,765 S 8/2007 Kotera et al.
- 7,262,912 B2 8/2007 Wood
- D568,364 S 5/2008 Jeoung et al.
- 7,489,443 B2 2/2009 Congard et al.
- 7,489,444 B1 2/2009 Adams et al.
- D594,894 S \* 6/2009 Adams et al. .... D16/241

**1 Claim, 9 Drawing Sheets**



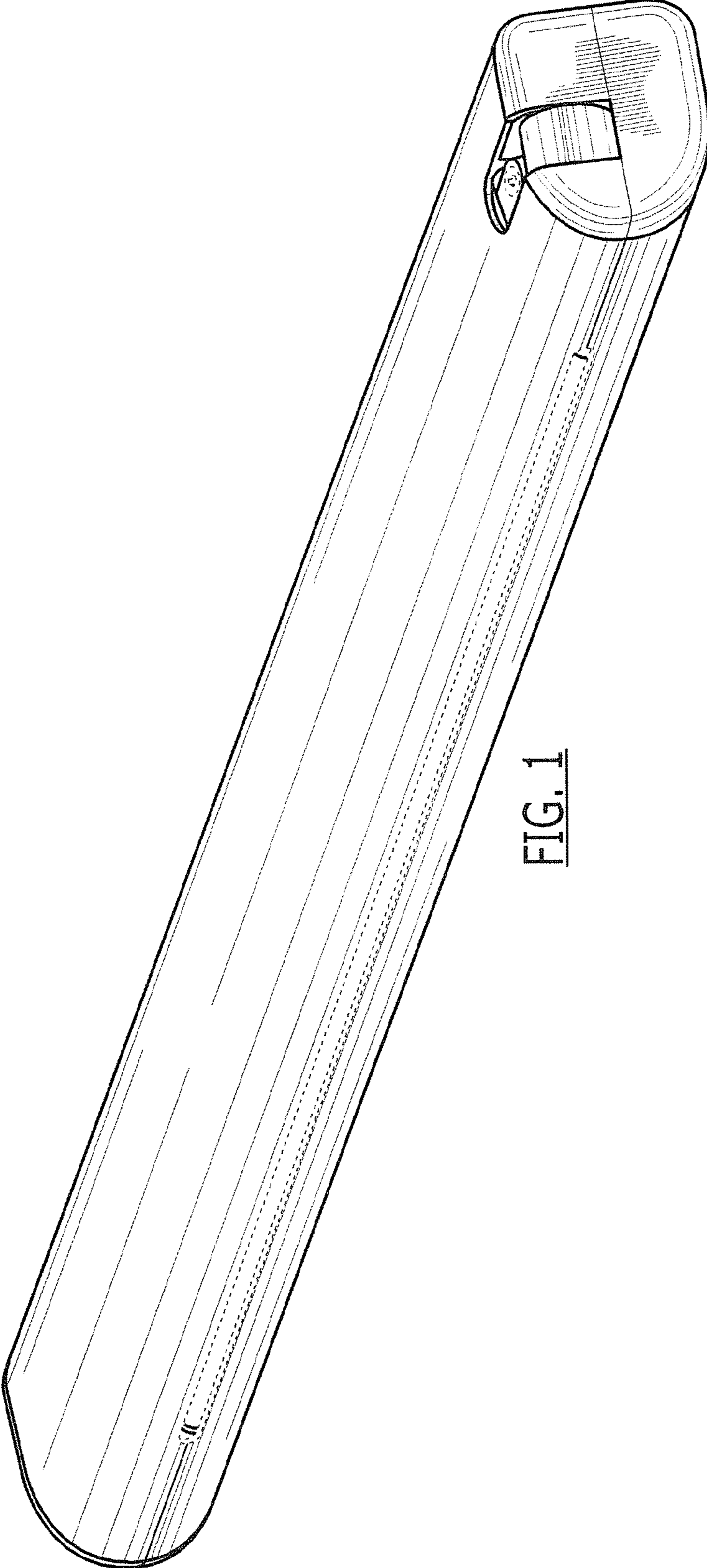


FIG. 1

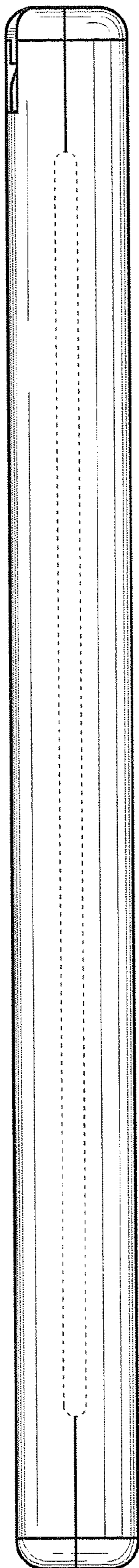


FIG. 2

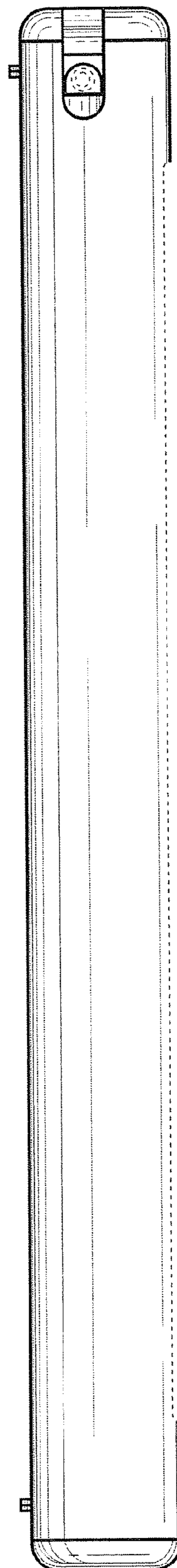


FIG. 3

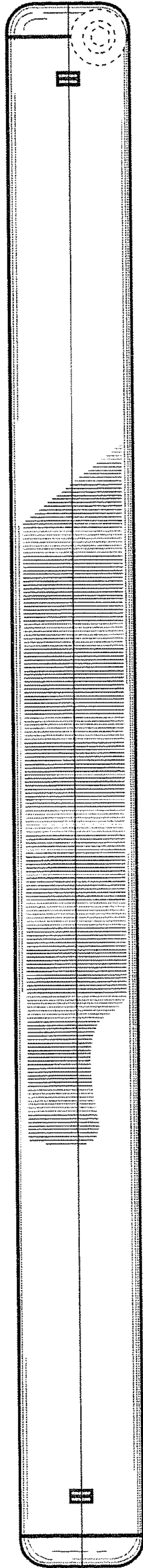


FIG. 4

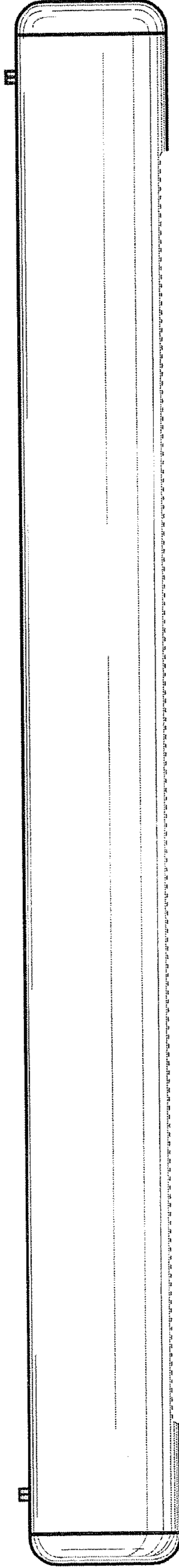


FIG. 5

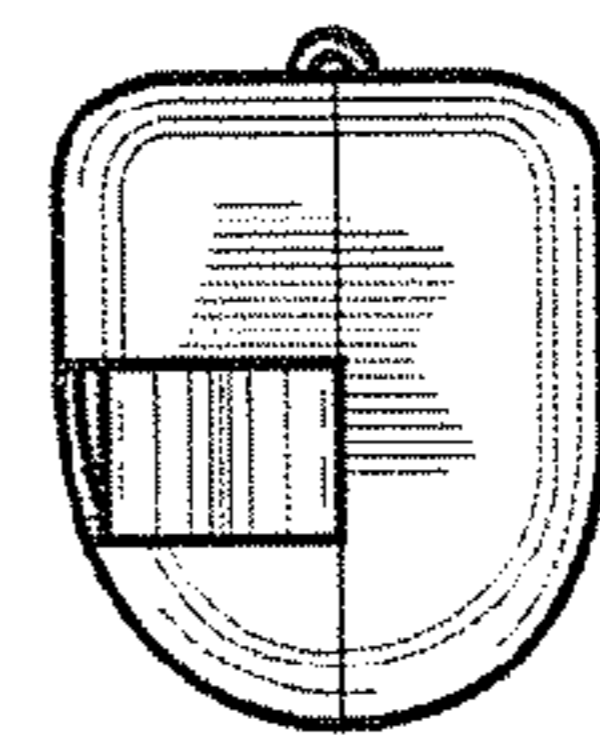


FIG. 6

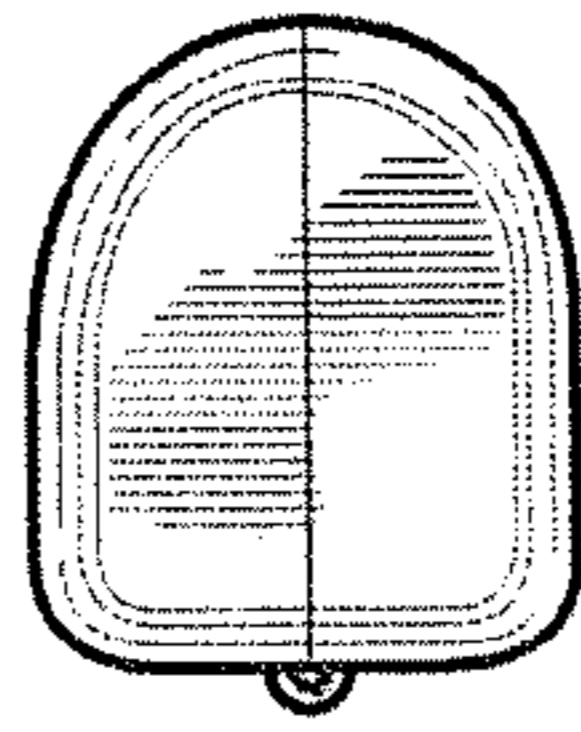


FIG. 7

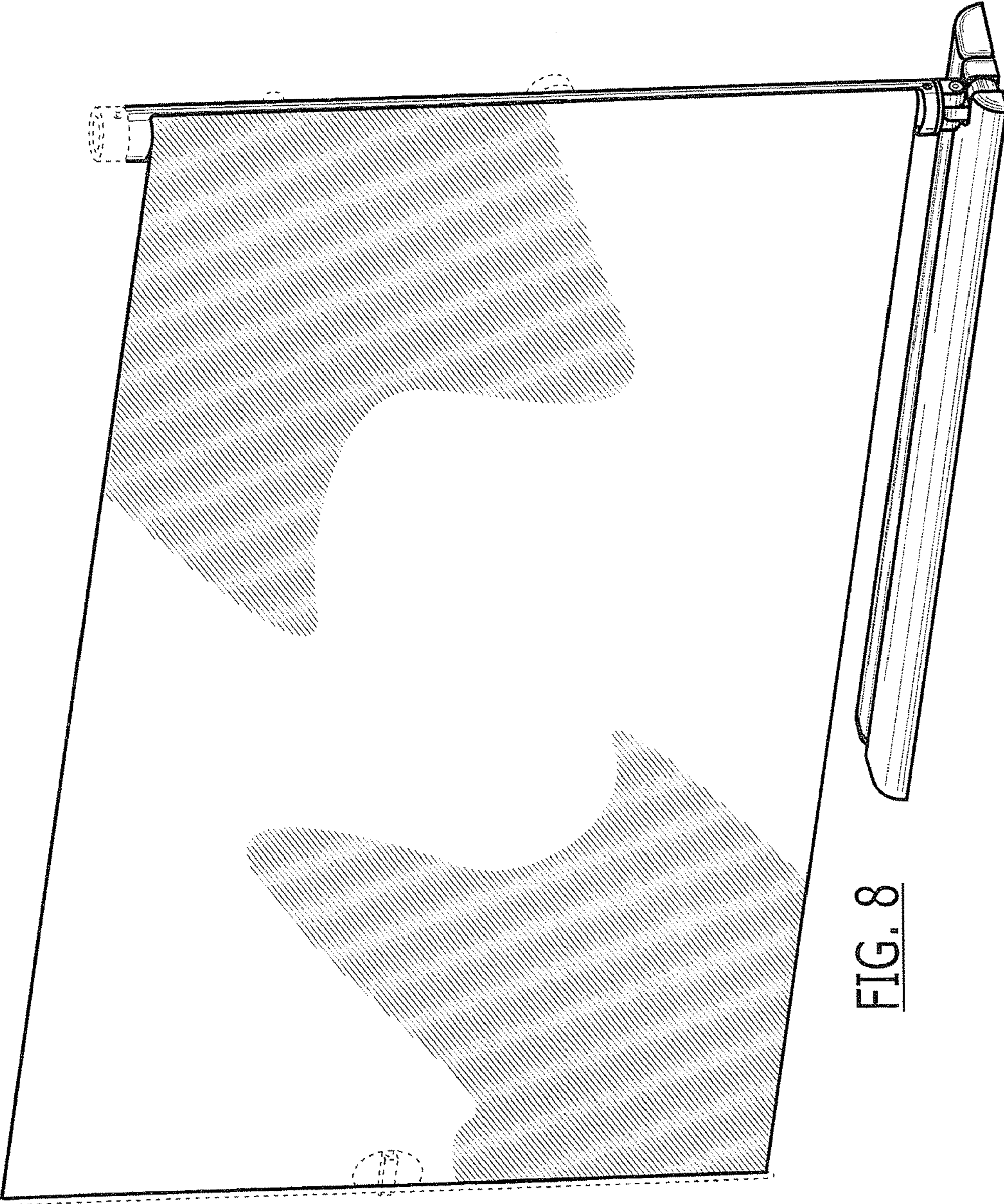


FIG. 8

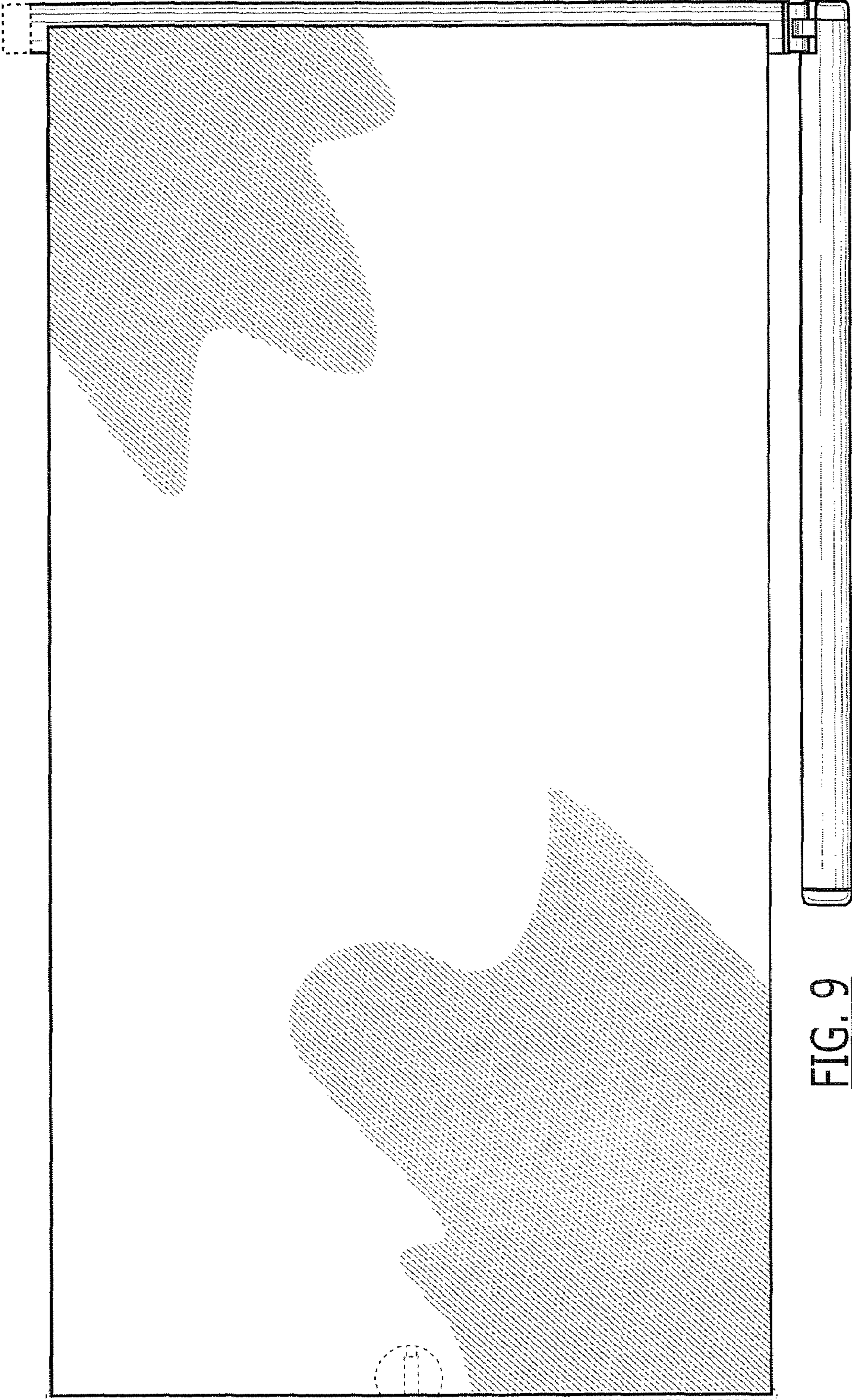


FIG. 9

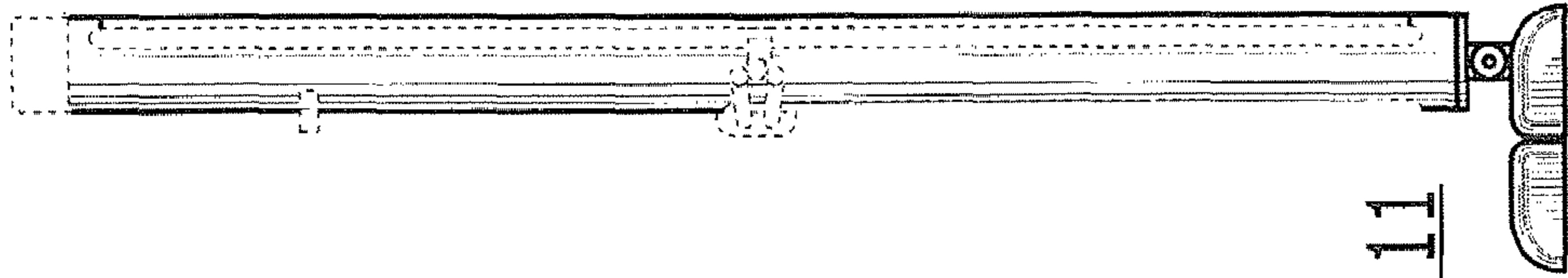


FIG. 11

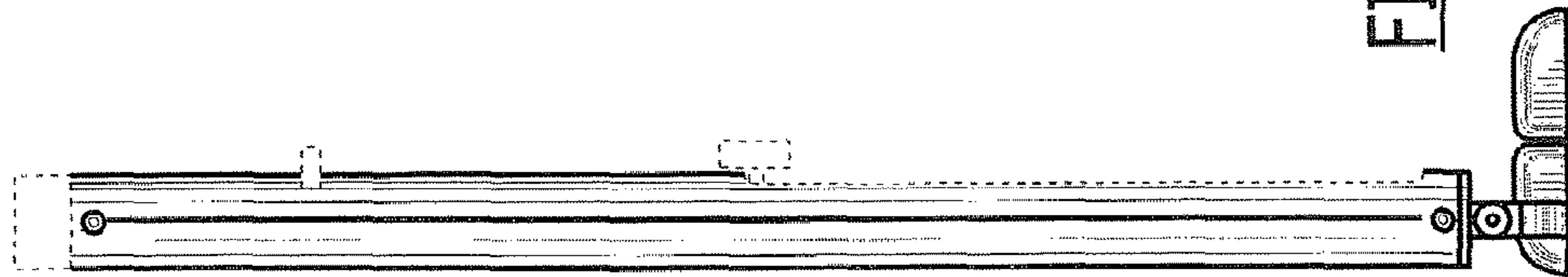
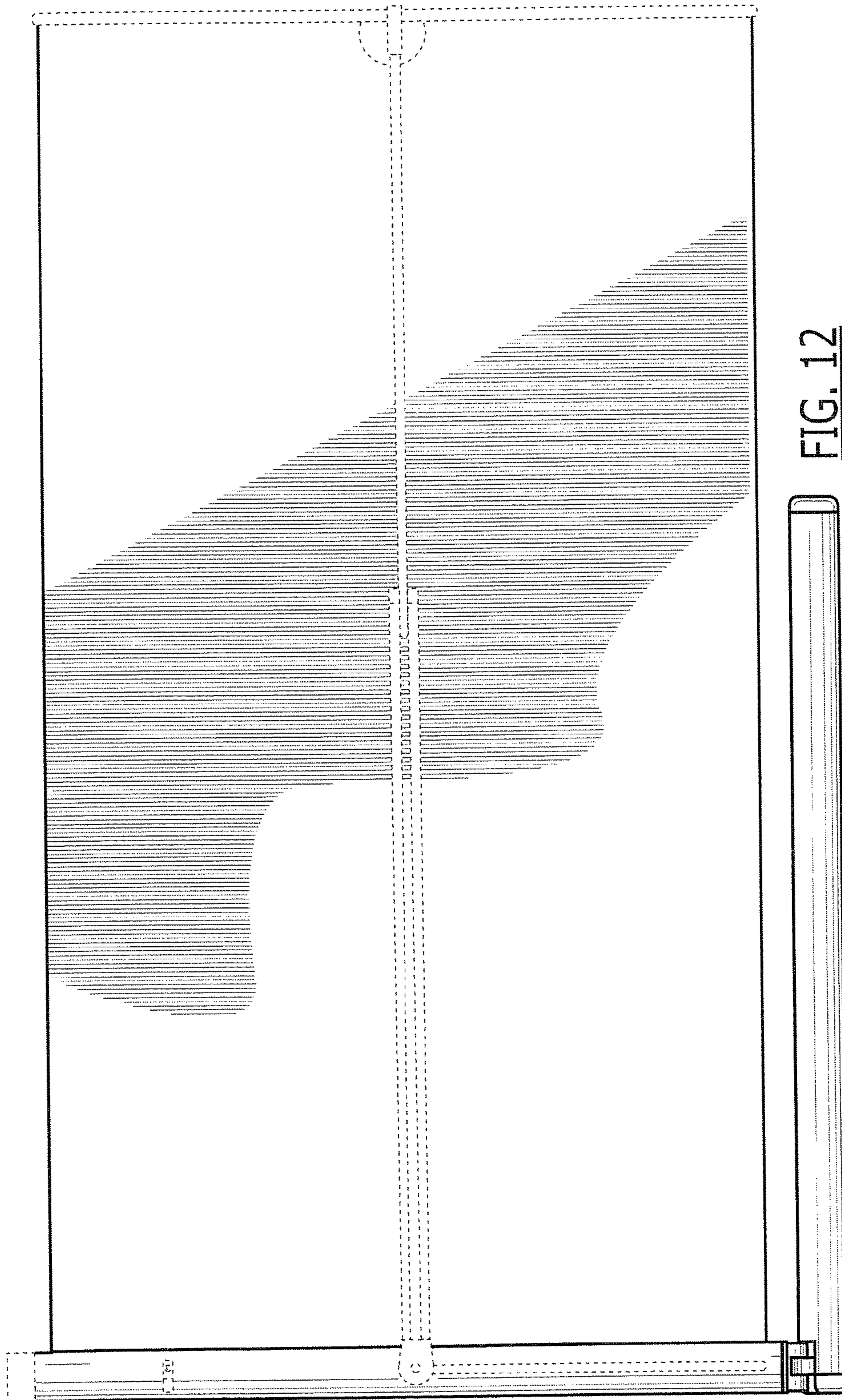
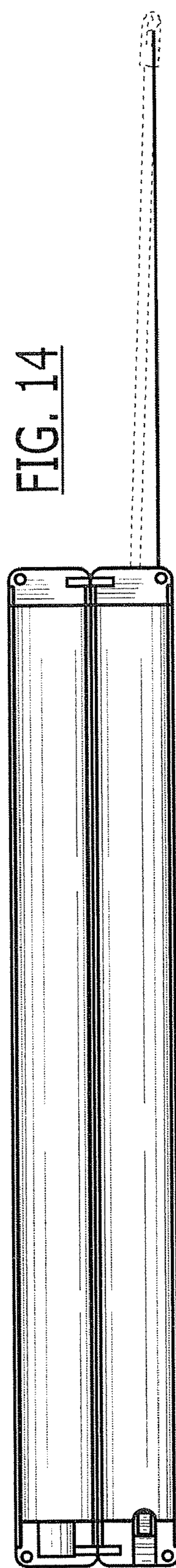
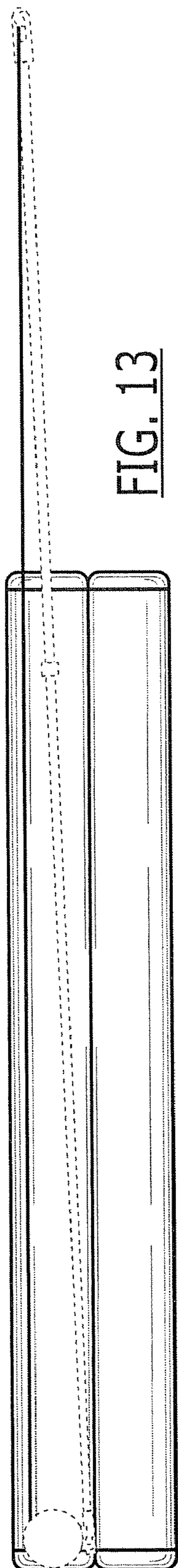


FIG. 10







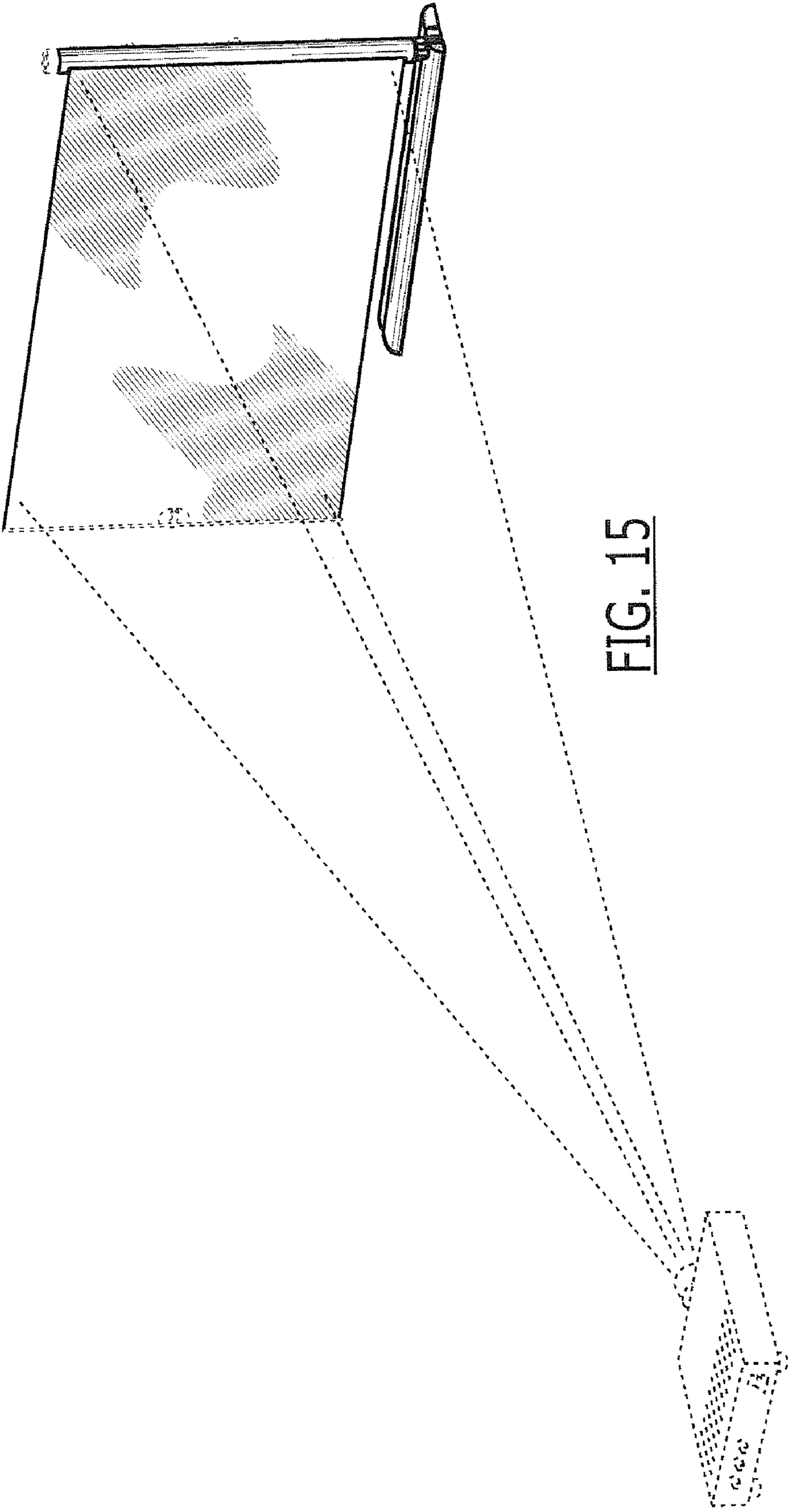


FIG. 15