



US00D614224S

(12) **United States Design Patent**
Orion et al.

(10) **Patent No.:** **US D614,224 S**

(45) **Date of Patent:** **** Apr. 20, 2010**

(54) **VIDEO LIGHT**

(75) Inventors: **Storm Orion**, Pittsburgh, PA (US);
Justin Kuntz, Pittsburgh, PA (US)

(73) Assignee: **Sima Products Corporation**, Oakmont,
PA (US)

(**) Term: **14 Years**

(21) Appl. No.: **29/337,398**

(22) Filed: **May 21, 2009**

(51) **LOC (9) Cl.** **16-05**

(52) **U.S. Cl.** **D16/239**

(58) **Field of Classification Search** D16/219,
D16/237, 239, 240; D26/118; 362/3, 16-18;
396/171, 182, 552

See application file for complete search history.

(56) **References Cited**

U.S. PATENT DOCUMENTS

D241,372 S	9/1976	Tomatsuri	
D243,082 S	1/1977	Kramer et al.	
D245,613 S	8/1977	Woodring et al.	
D250,267 S	11/1978	Prochnow et al.	
D303,266 S *	9/1989	Kato	D16/239
D318,679 S *	7/1991	Tanaka et al.	D16/239
5,121,147 A *	6/1992	Wada et al.	348/375
D453,351 S *	2/2002	Kitera	D16/240
D545,866 S	7/2007	Eroma	
7,372,499 B2 *	5/2008	Kawakami	362/16
D577,052 S	9/2008	Orion et al.	
7,514,883 B2 *	4/2009	Chihara	362/552

2006/0257130 A1* 11/2006 Lee et al. 396/182

OTHER PUBLICATIONS

Sima Products, SL-7 and SL-8 Product Sheet, 1997.

Sima Products, SL-9X Product Sheet, Jan. 17, 2005.

Sima Products, Model SL-10LX Product Sheet, Sep. 8, 2006.

* cited by examiner

Primary Examiner—Adir Aronovich

(74) *Attorney, Agent, or Firm*—Buchanan Ingersoll &
Rooney PC

(57) **CLAIM**

The ornamental design for a video light, as shown and described.

DESCRIPTION

FIG. 1 is a front elevational view of a video light showing our new design;

FIG. 2 is a left side view thereof, the right side view being a mirror image of this view.

FIG. 3 is a top plan view thereof;

FIG. 4 is a bottom plan view thereof;

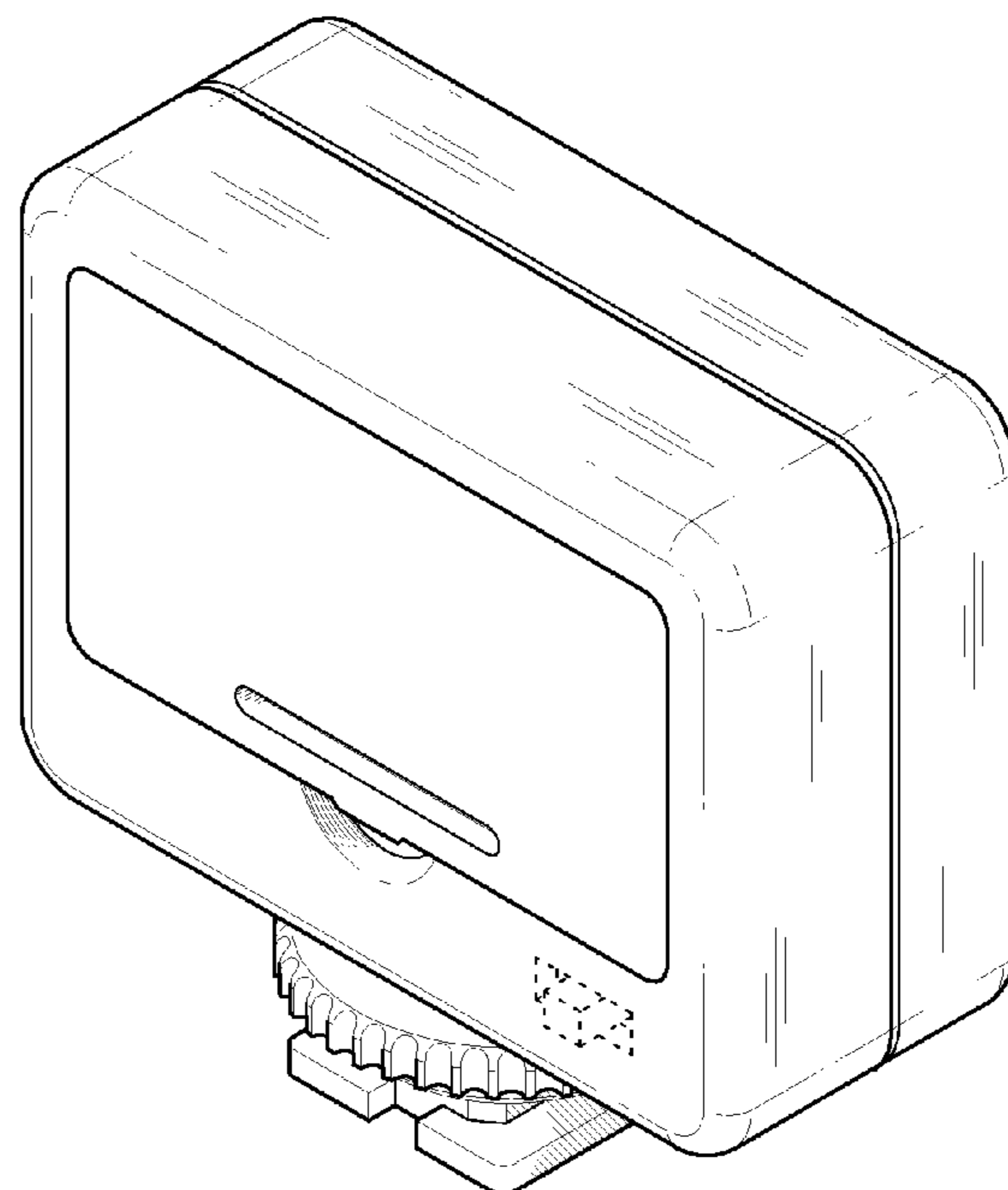
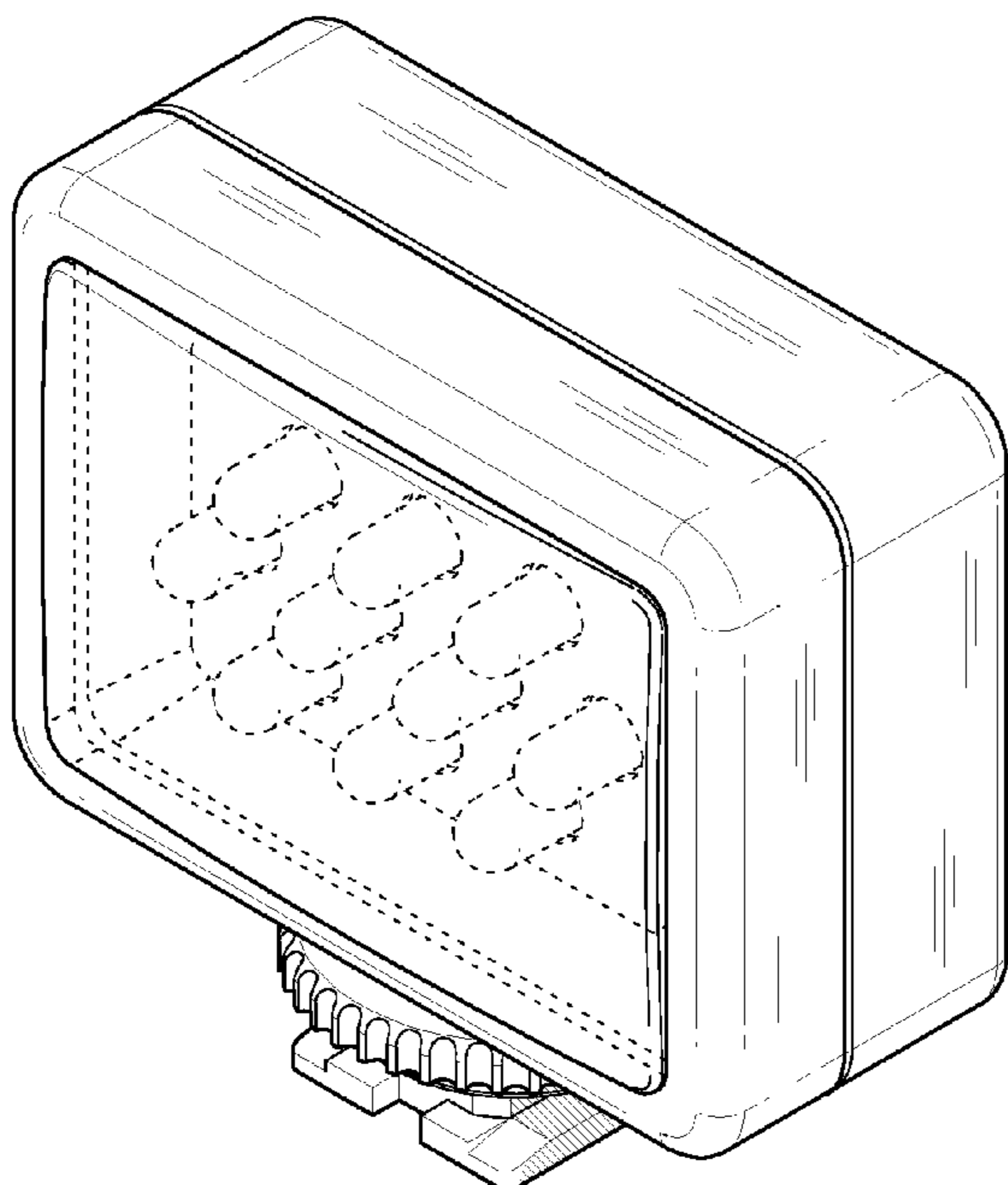
FIG. 5 is a rear elevational view thereof;

FIG. 6 is a front, top and left side perspective view thereof; and,

FIG. 7 is a rear, top and right side perspective view thereof.

The broken line showings of a switch in FIGS. 2, 5 and 7 and of light emitting diodes and reflector in FIGS. 1 and 6 are for illustrating purposes only and form no part of the claimed design.

1 Claim, 2 Drawing Sheets



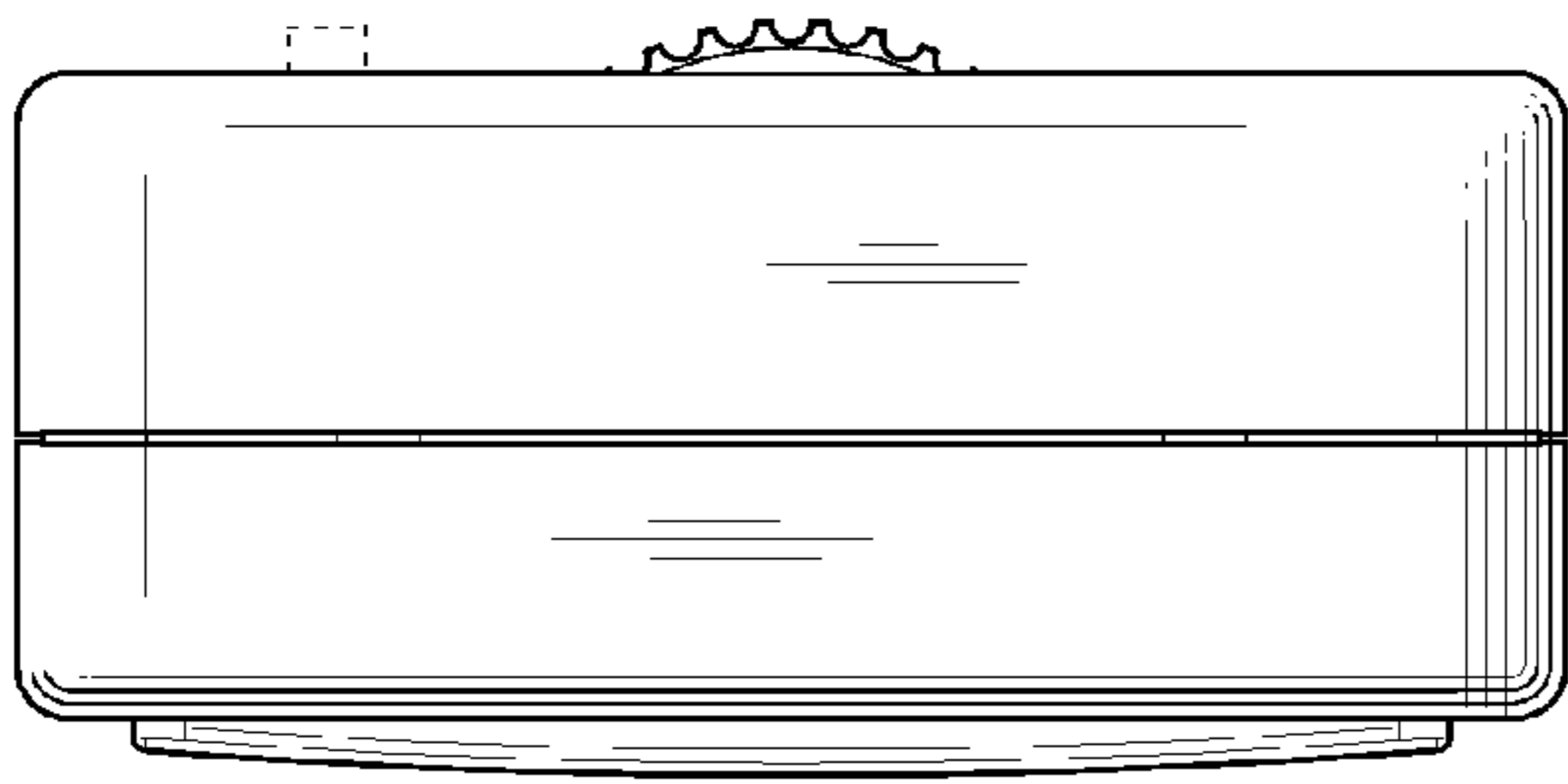


Fig. 3

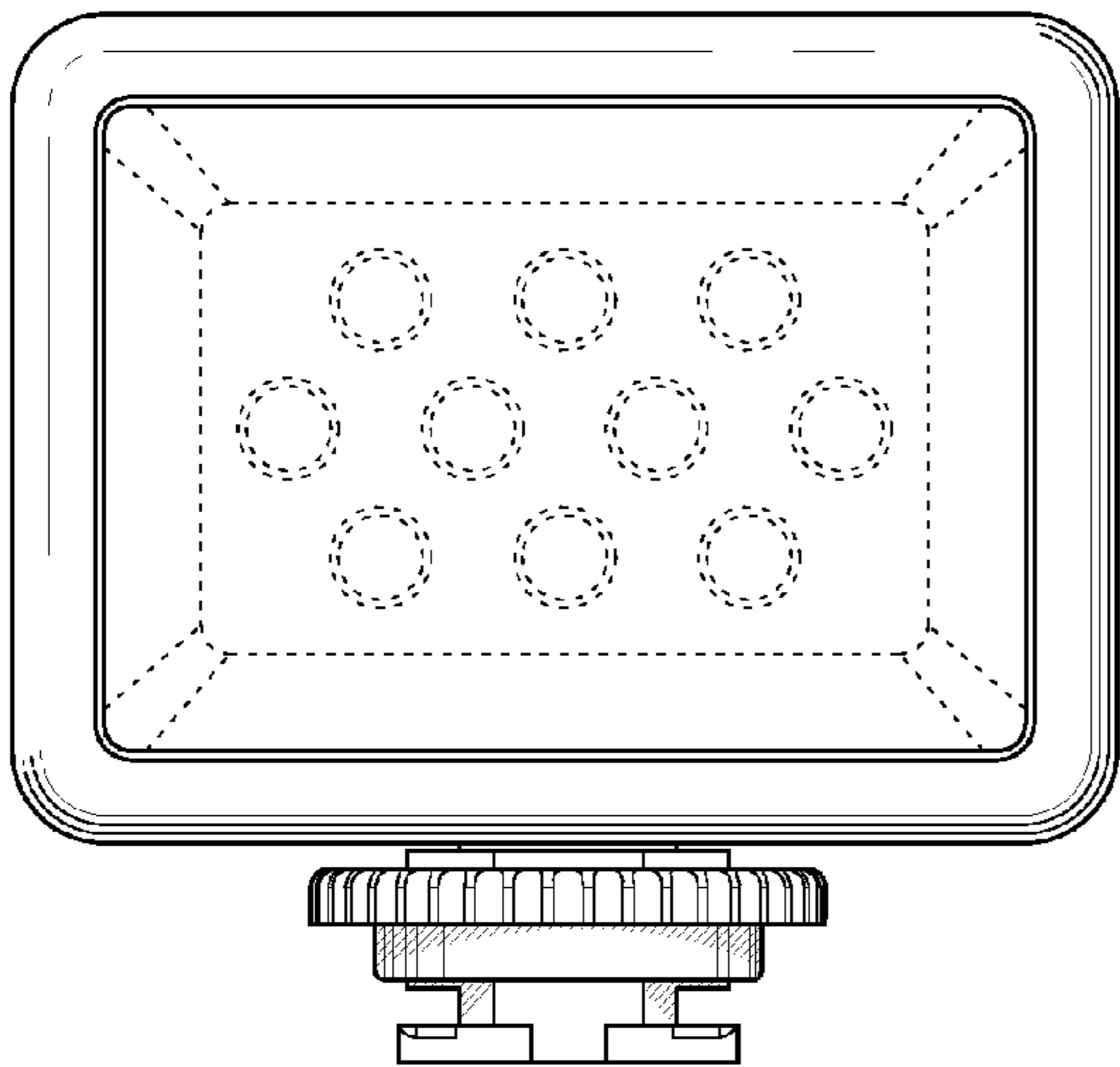


Fig. 1

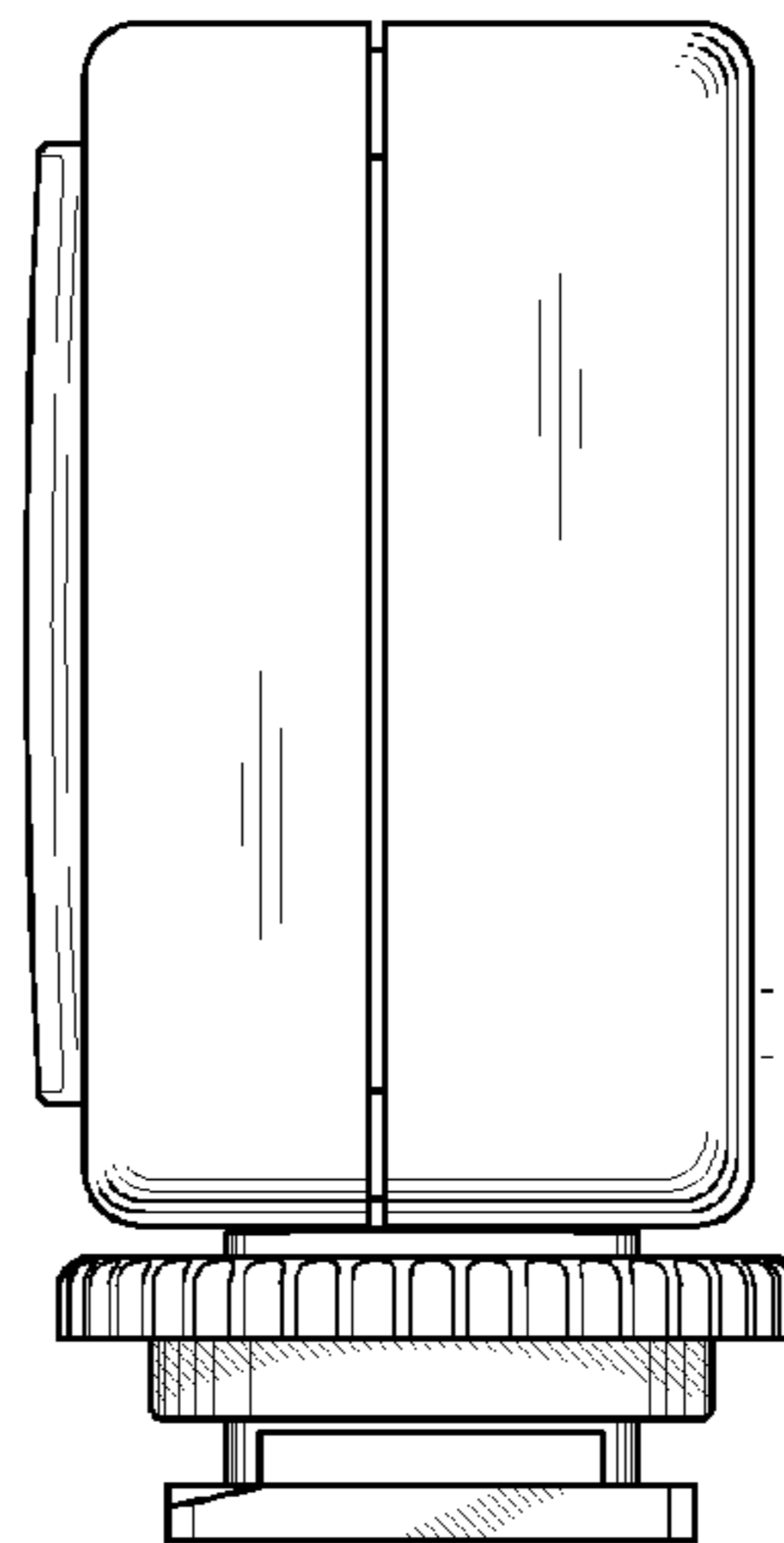


Fig. 2

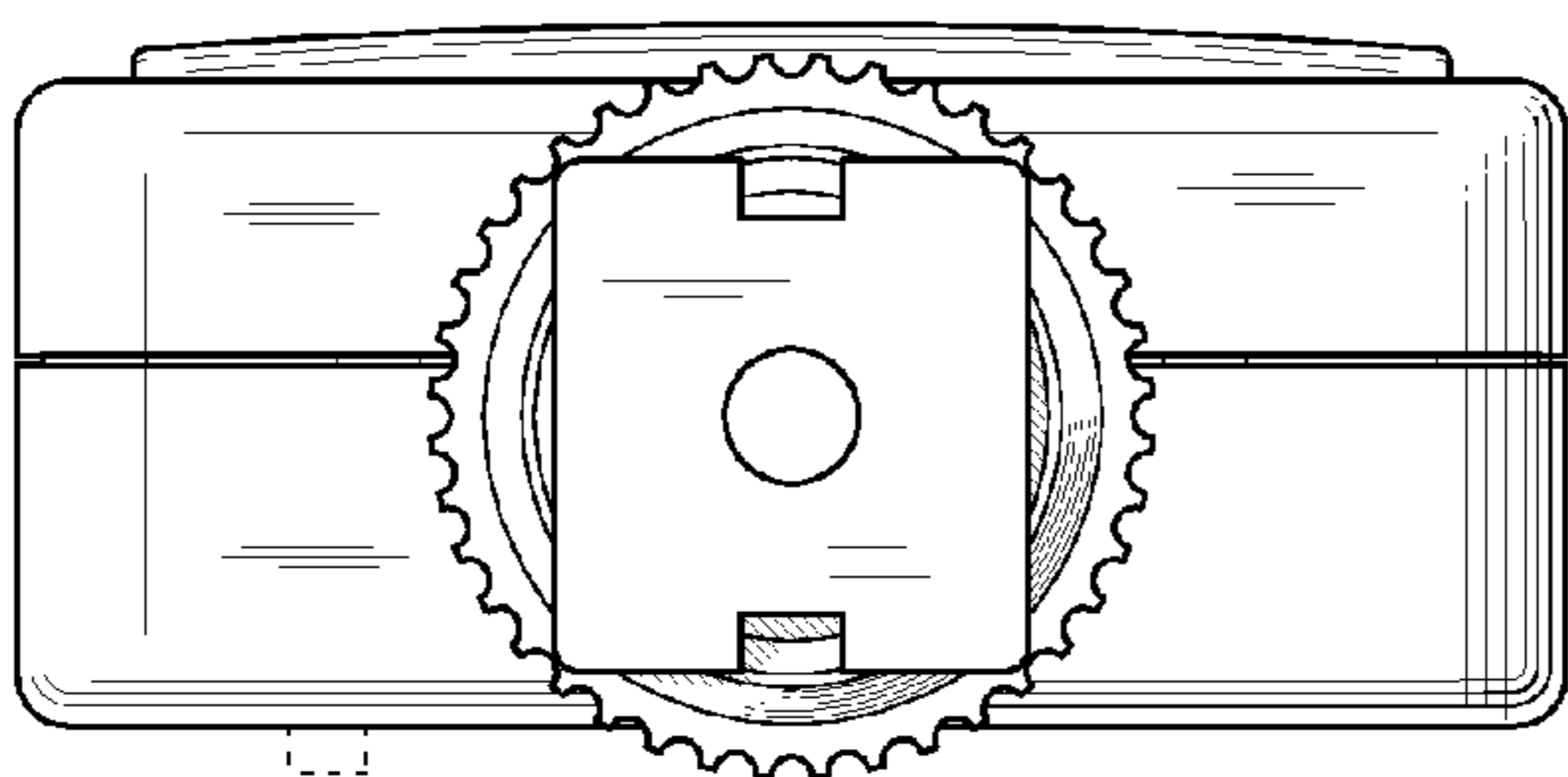


Fig. 4

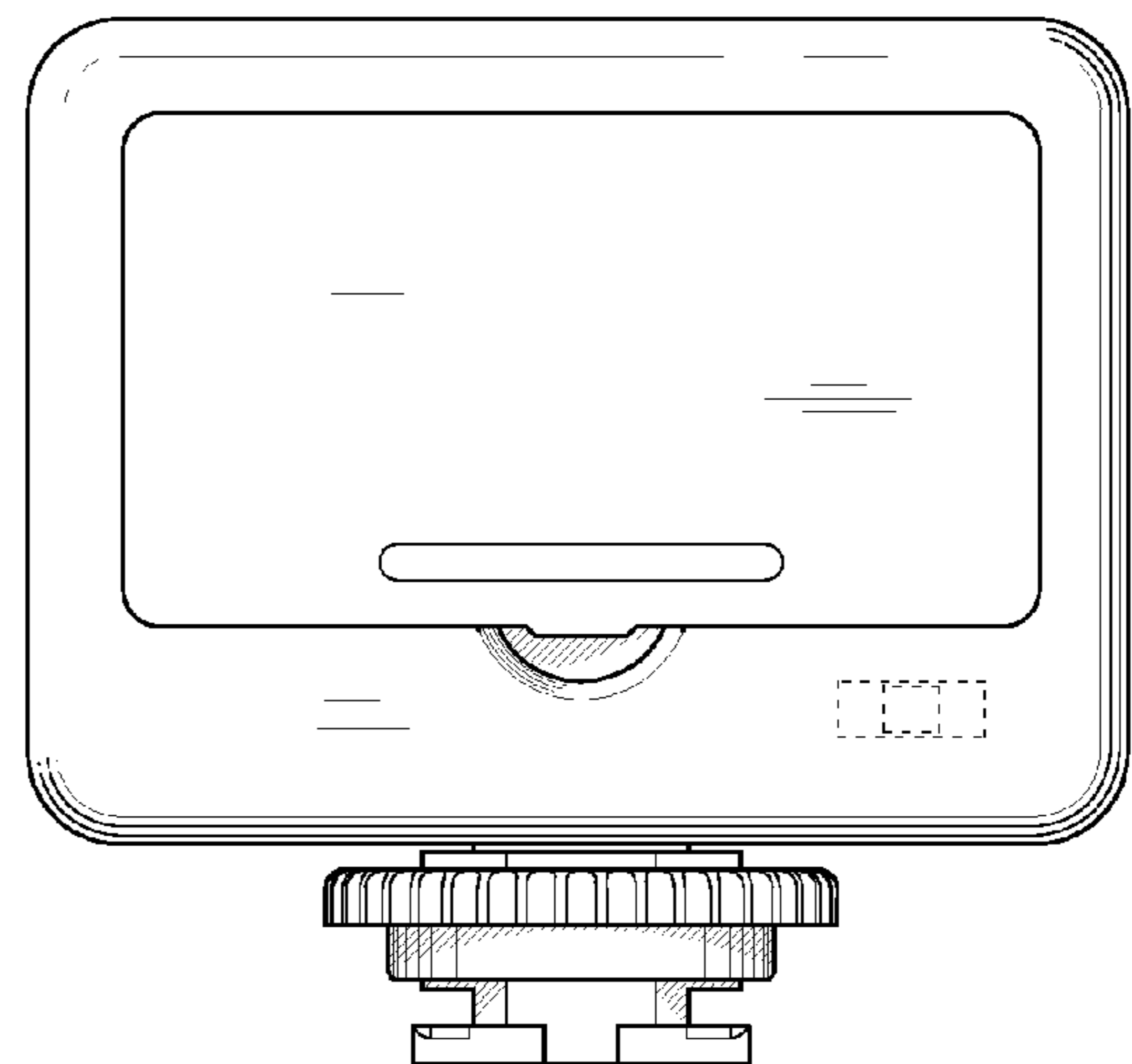


Fig. 5

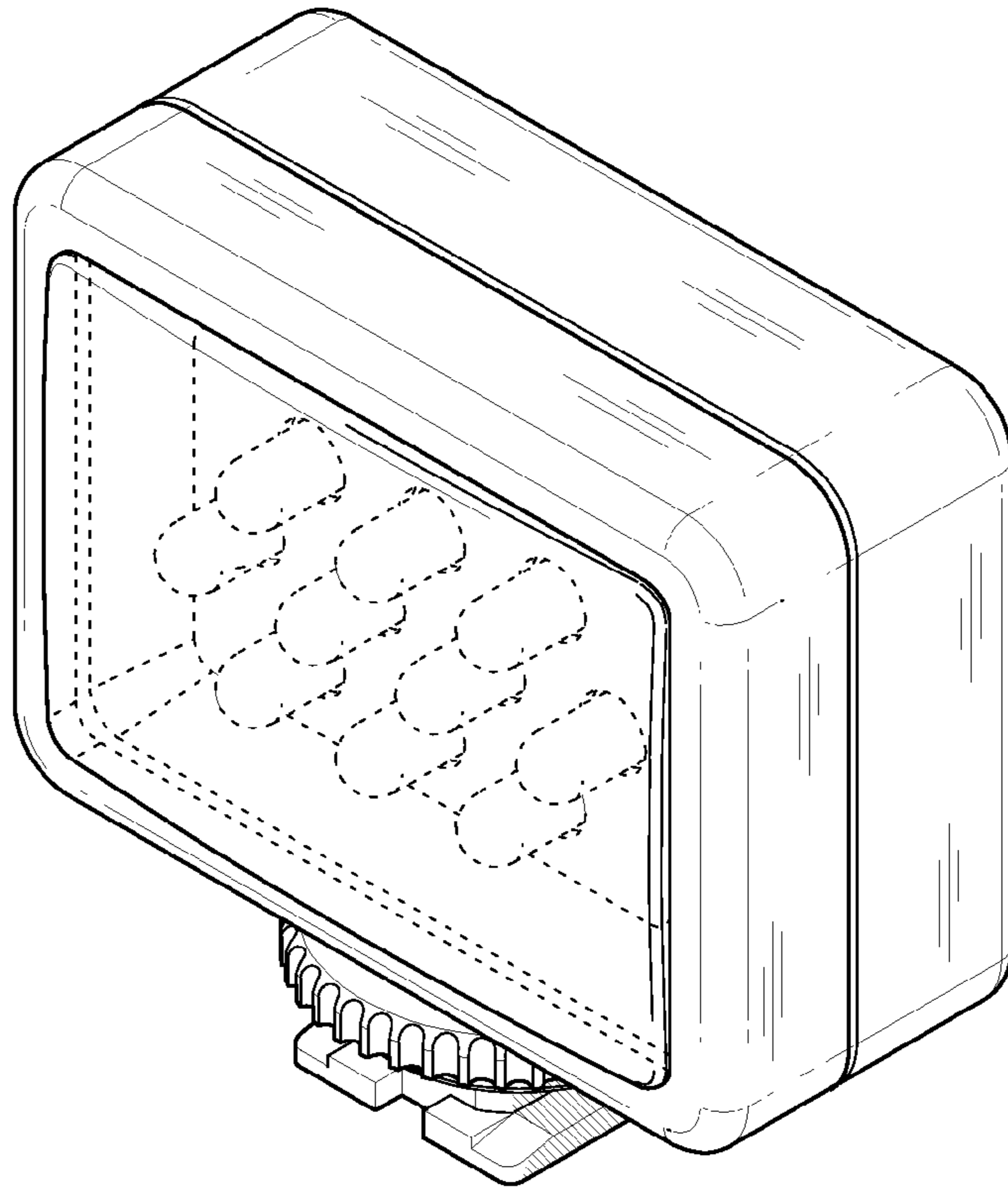


Fig. 6

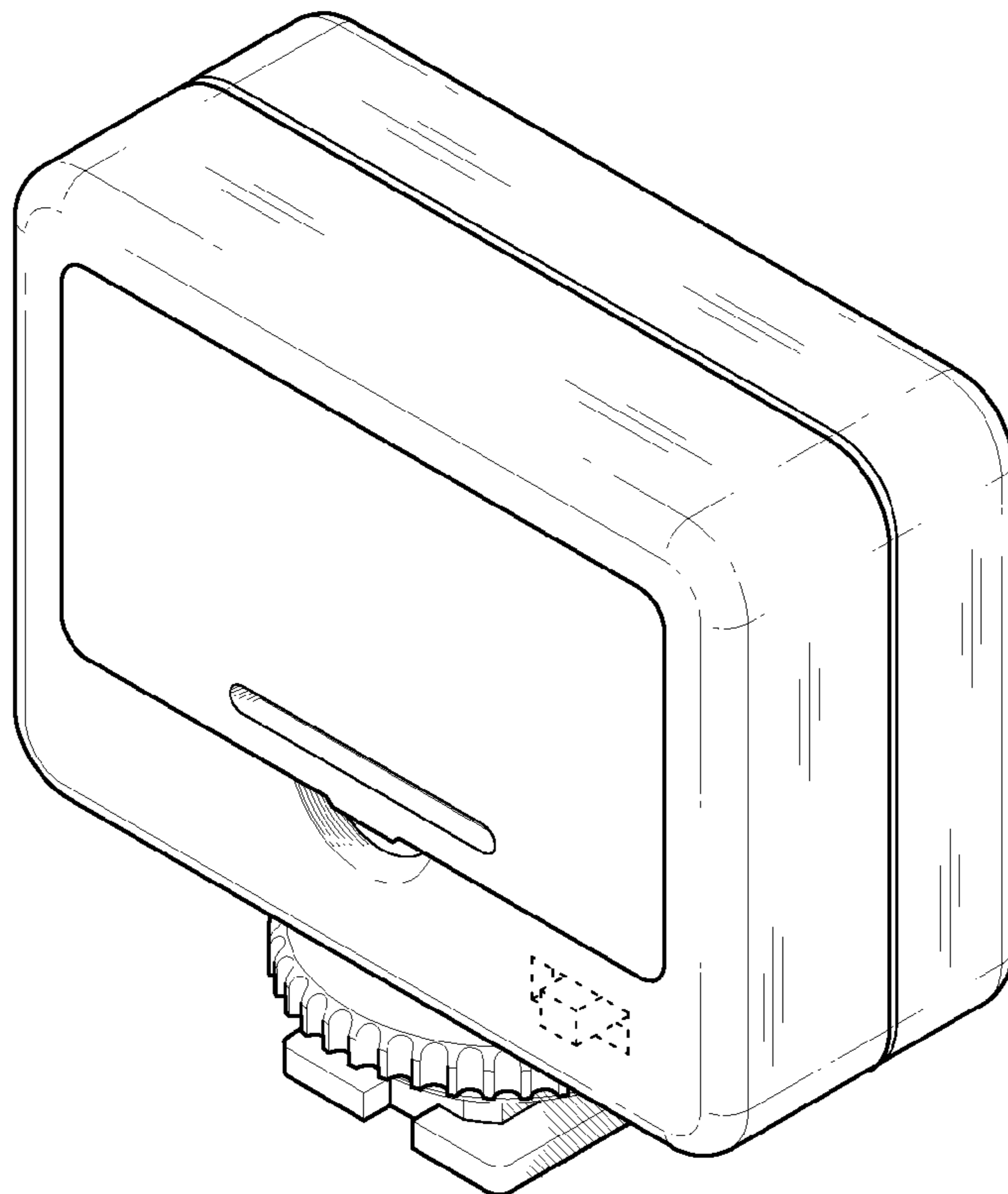


Fig. 7