



US00D614223S

(12) **United States Design Patent**  
**Kim et al.**

(10) **Patent No.:** **US D614,223 S**  
(45) **Date of Patent:** **\*\* Apr. 20, 2010**

(54) **ELECTRONIC CAMERA**

(57) **CLAIM**

(75) Inventors: **Young Soo Kim**, Bellevue, WA (US);  
**Ralf Groene**, Kirkland, WA (US)

The ornamental design for an electronic camera, as shown and described.

(73) Assignee: **Microsoft Corporation**, Redmond, WA (US)

**DESCRIPTION**

(\*\*) Term: **14 Years**

FIG. 1 is a front perspective view of an electronic camera showing our new design where a base of the electronic camera is in a first position;

(21) Appl. No.: **29/317,456**

FIG. 2 is a front view thereof;

(22) Filed: **Apr. 30, 2008**

FIG. 3 is a rear view thereof;

(51) **LOC (9) Cl.** ..... **16-01**

FIG. 4 is a left side view thereof;

(52) **U.S. Cl.** ..... **D16/211; D16/202**

FIG. 5 is a right side view thereof;

(58) **Field of Classification Search** ..... D16/200–204,  
D16/208, 211, 218, 219, 242; 248/121, 918;  
348/373–376; 358/909.1; 396/535–541  
See application file for complete search history.

FIG. 6 is a top view thereof;

FIG. 7 is a bottom view thereof;

FIG. 8 is a front perspective view of the electronic camera of FIGS. 1–7 where the base is in a second position;

(56) **References Cited**

**U.S. PATENT DOCUMENTS**

5,855,343	A *	1/1999	Krekelberg	.....	248/121
6,239,841	B1 *	5/2001	Verstockt et al.	.....	348/373
D454,146	S *	3/2002	Mori	.....	D16/202
D470,522	S *	2/2003	Friedricks et al.	.....	D16/211
D474,221	S *	5/2003	Cheng	.....	D16/218
D496,674	S *	9/2004	Hayashi	.....	D16/202
D507,007	S *	7/2005	Sitoh et al.	.....	D16/202
D527,755	S *	9/2006	Wu	.....	D16/202
D563,446	S *	3/2008	Stephens et al.	.....	D16/202
D564,004	S *	3/2008	Ikeda et al.	.....	D16/202
D595,328	S *	6/2009	Kim et al.	.....	D16/219
D606,106	S *	12/2009	Kim et al.	.....	D16/218

FIG. 9 is a front view thereof;

FIG. 10 is a rear view thereof;

FIG. 11 is a left side view thereof;

FIG. 12 is a right side view thereof;

FIG. 13 is a top view thereof;

FIG. 14 is a bottom view thereof;

FIG. 15 is a front perspective view of the electronic camera of FIGS. 1–7 where the base is in a third position;

FIG. 16 is a front view thereof;

FIG. 17 is a rear view thereof;

FIG. 18 is a left side view thereof;

FIG. 19 is a right side view thereof;

FIG. 20 is a top view thereof; and,

FIG. 21 is a bottom view thereof.

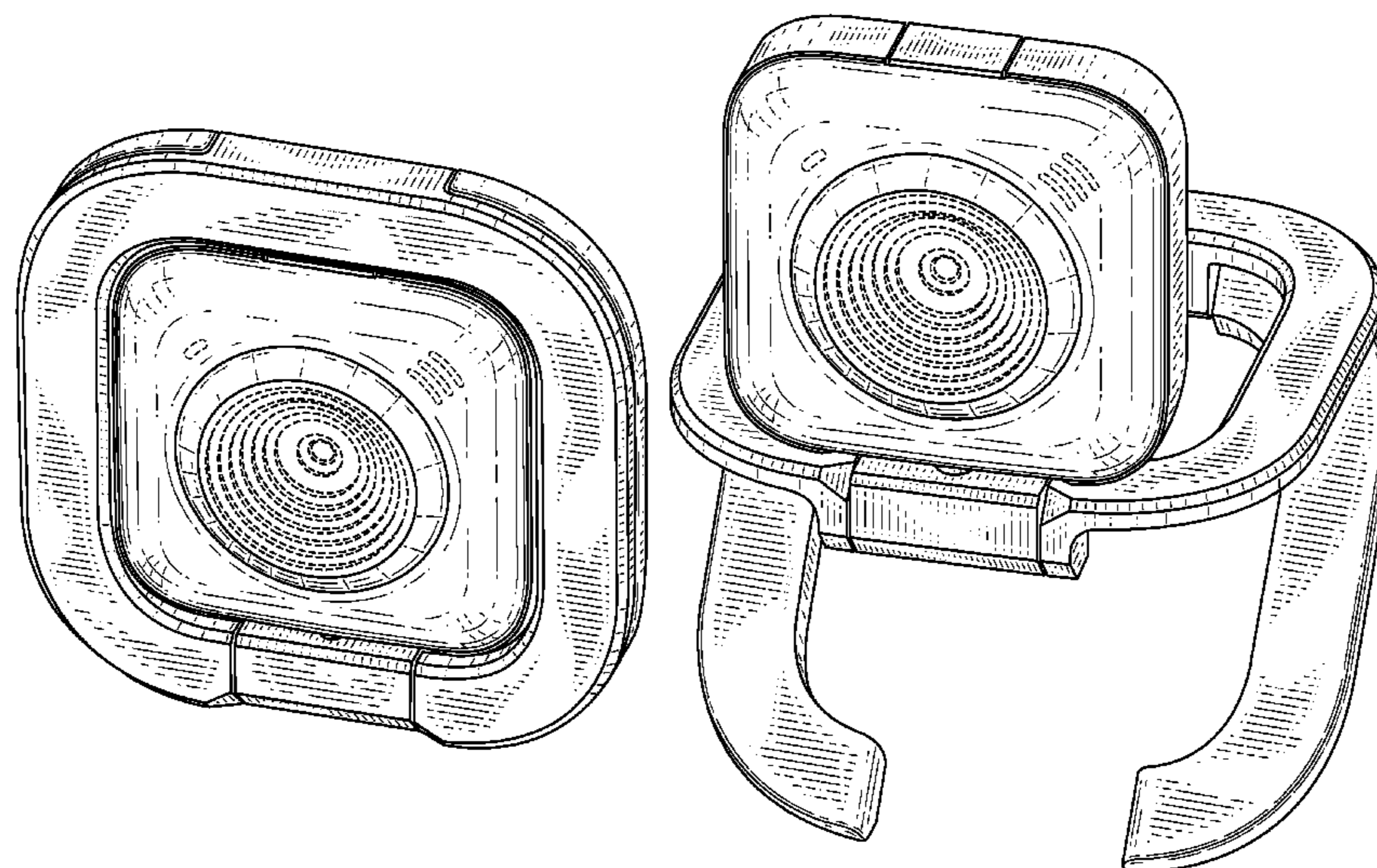
The portions of the electronic camera in broken lines are shown for illustration only and form no part of the claimed design.

\* cited by examiner

*Primary Examiner*—Adir Aronovich

(74) *Attorney, Agent, or Firm*—Banner & Witcoff, Ltd.

**1 Claim, 21 Drawing Sheets**



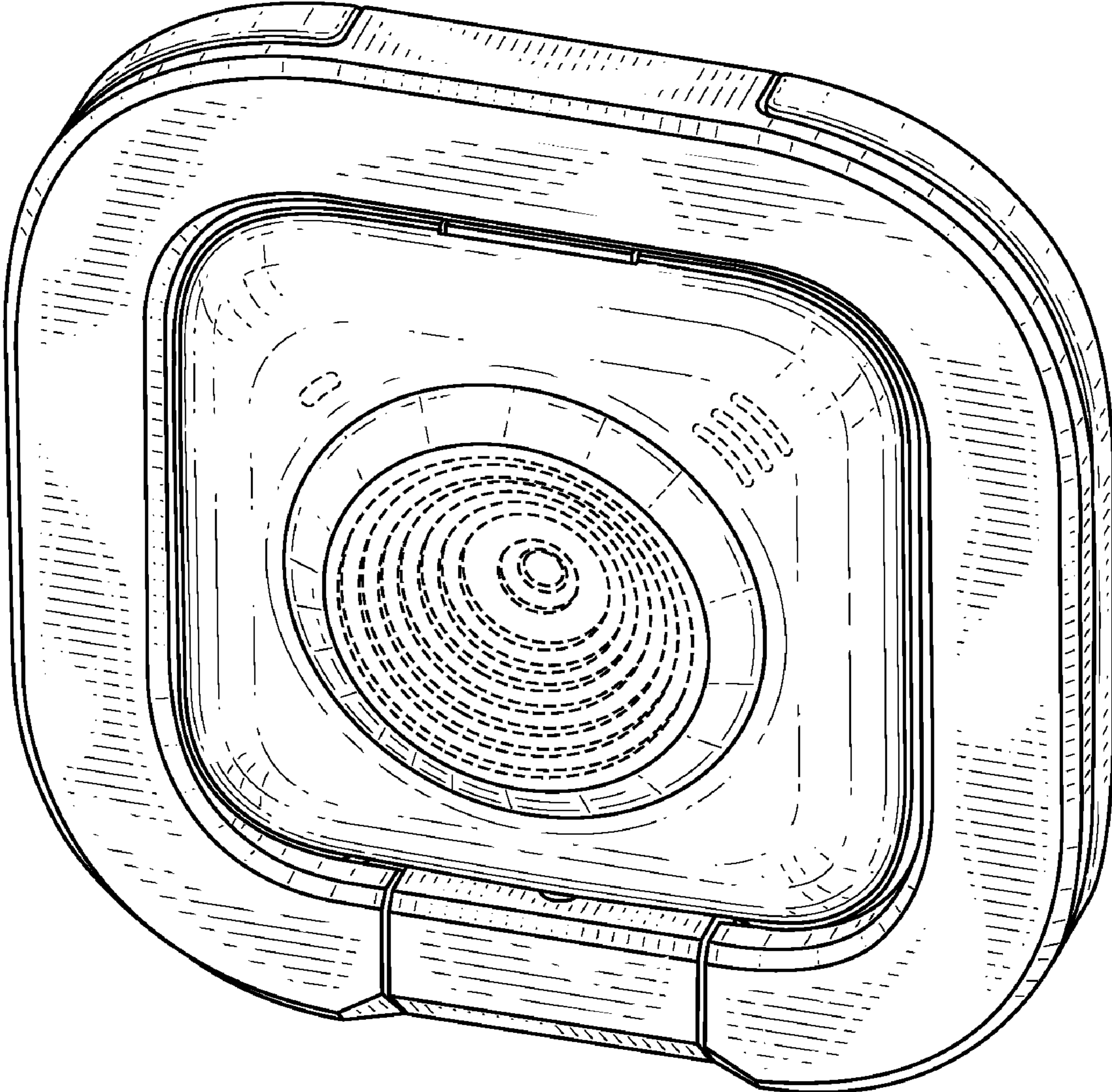


FIG. 1

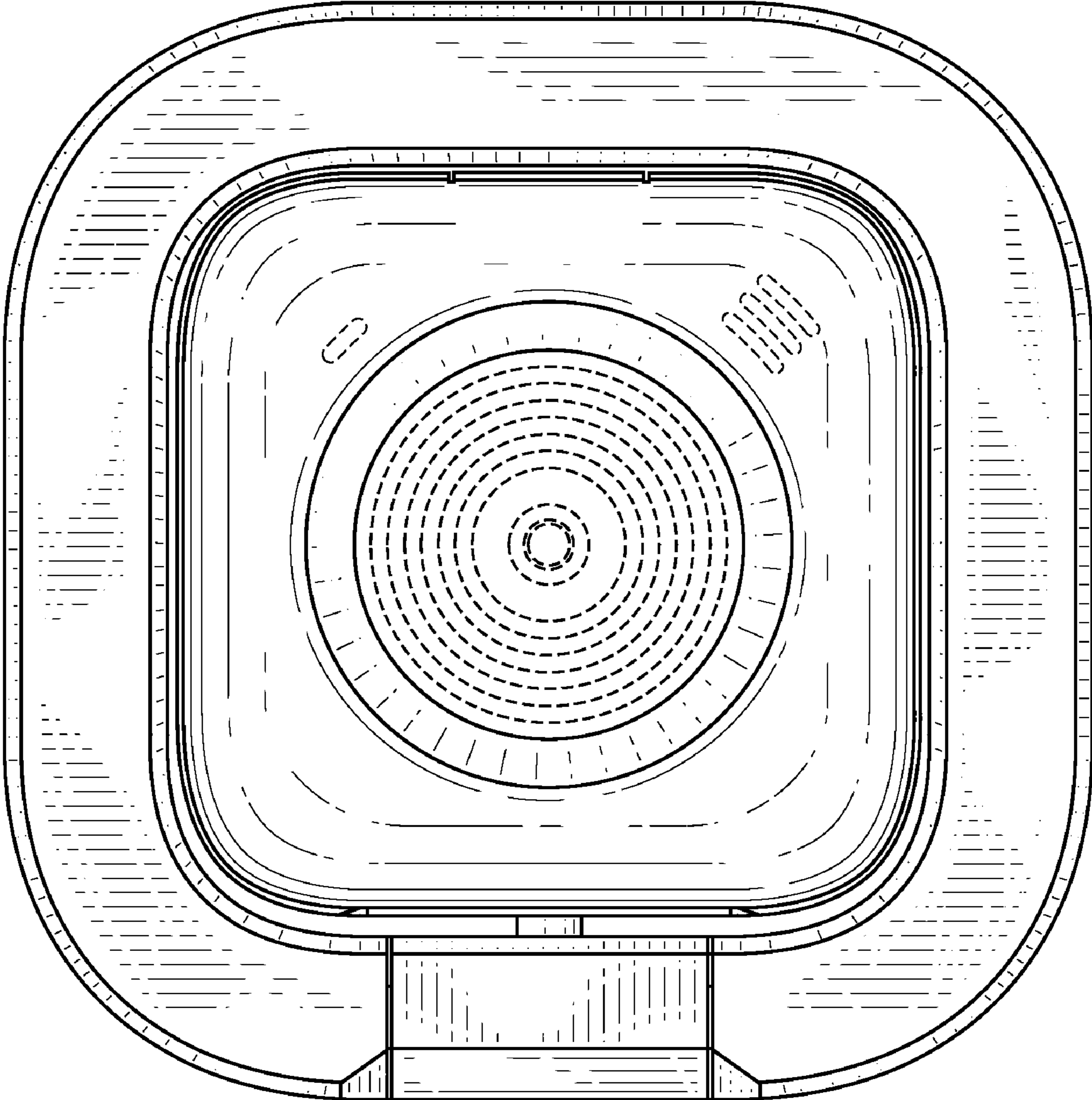


FIG. 2

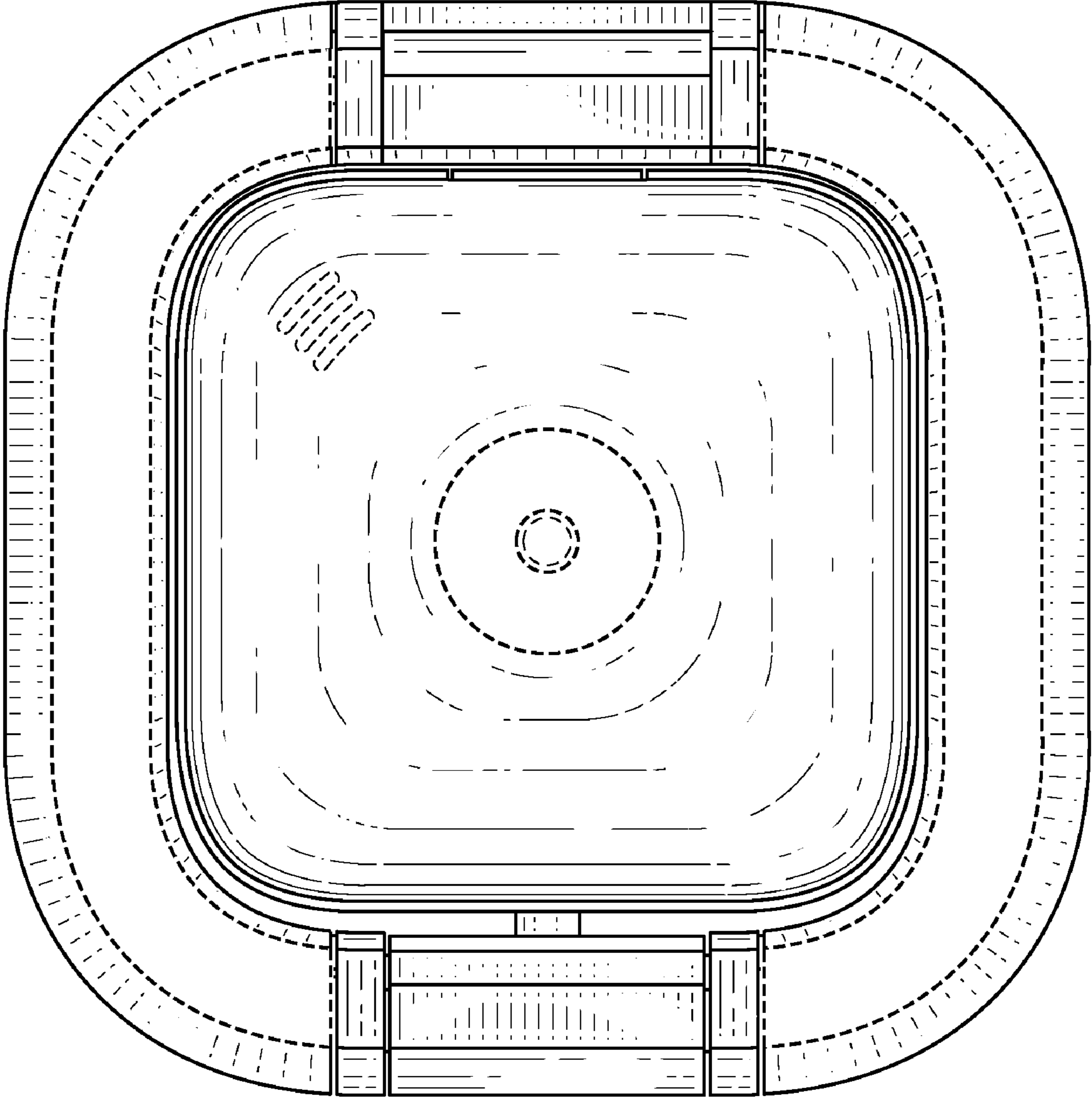


FIG. 3

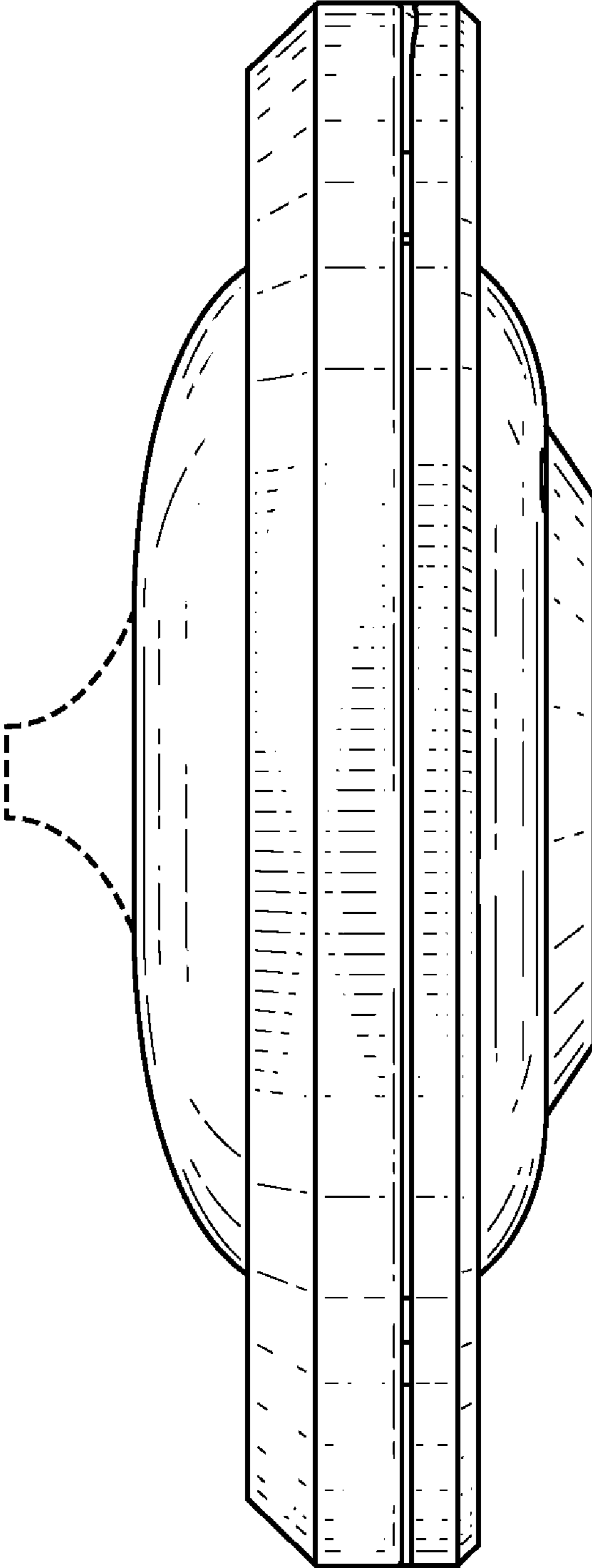


FIG. 4

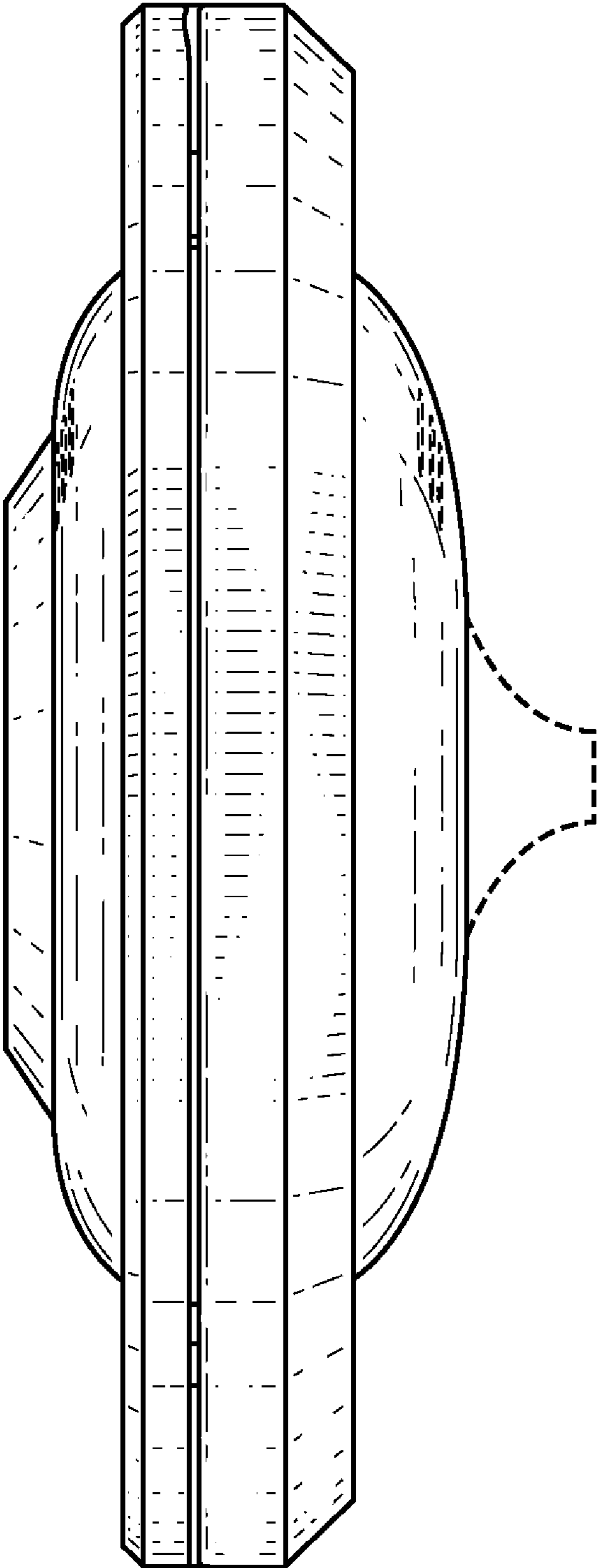


FIG. 5

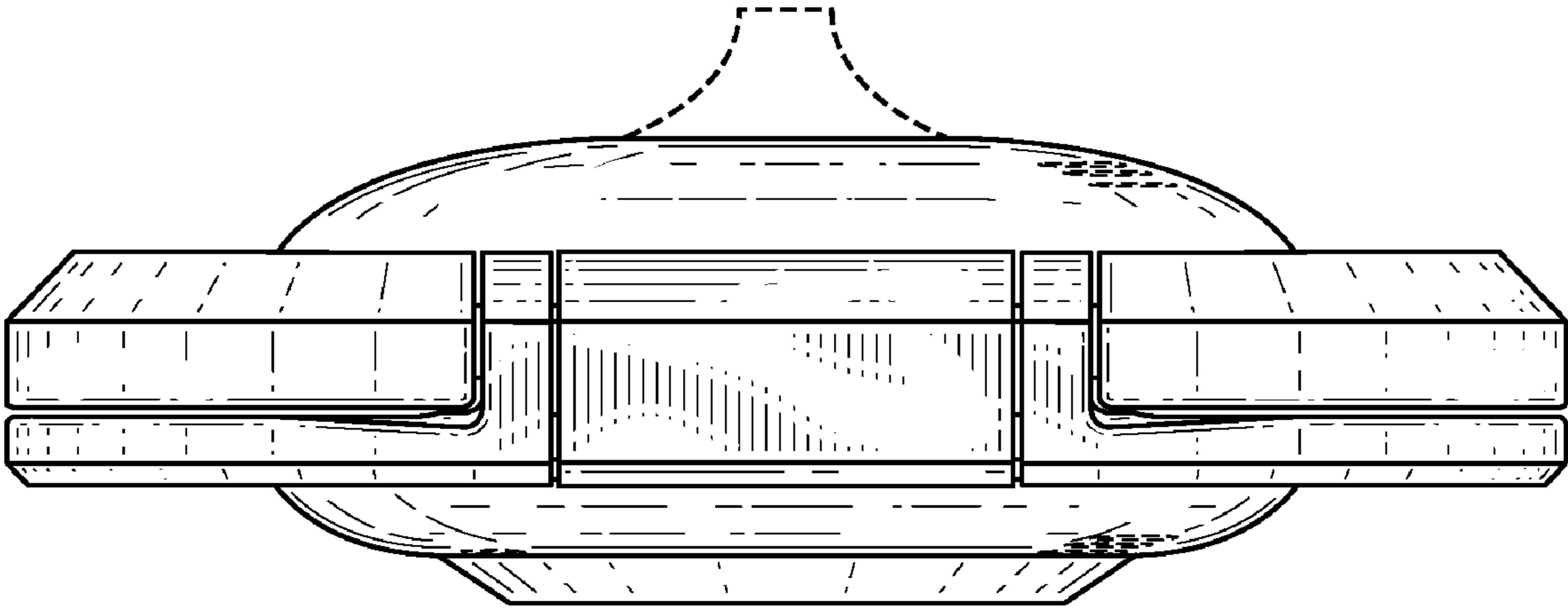


FIG. 6

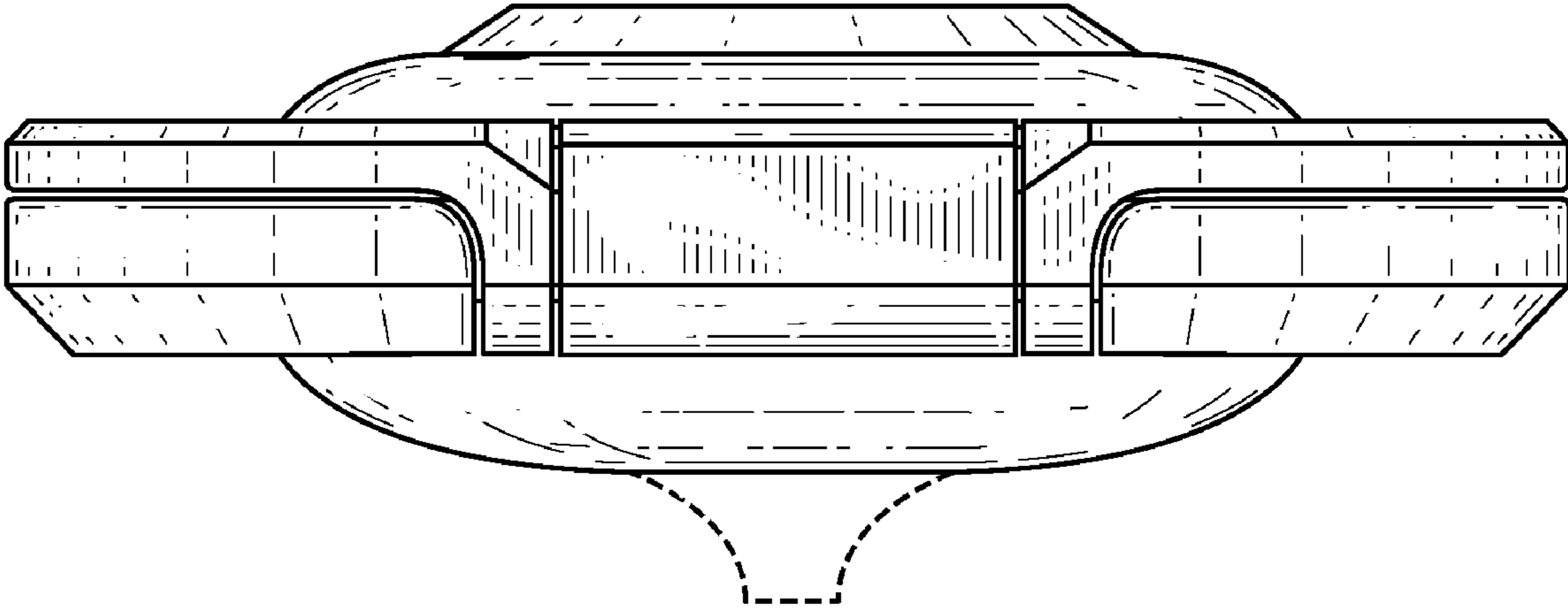


FIG. 7



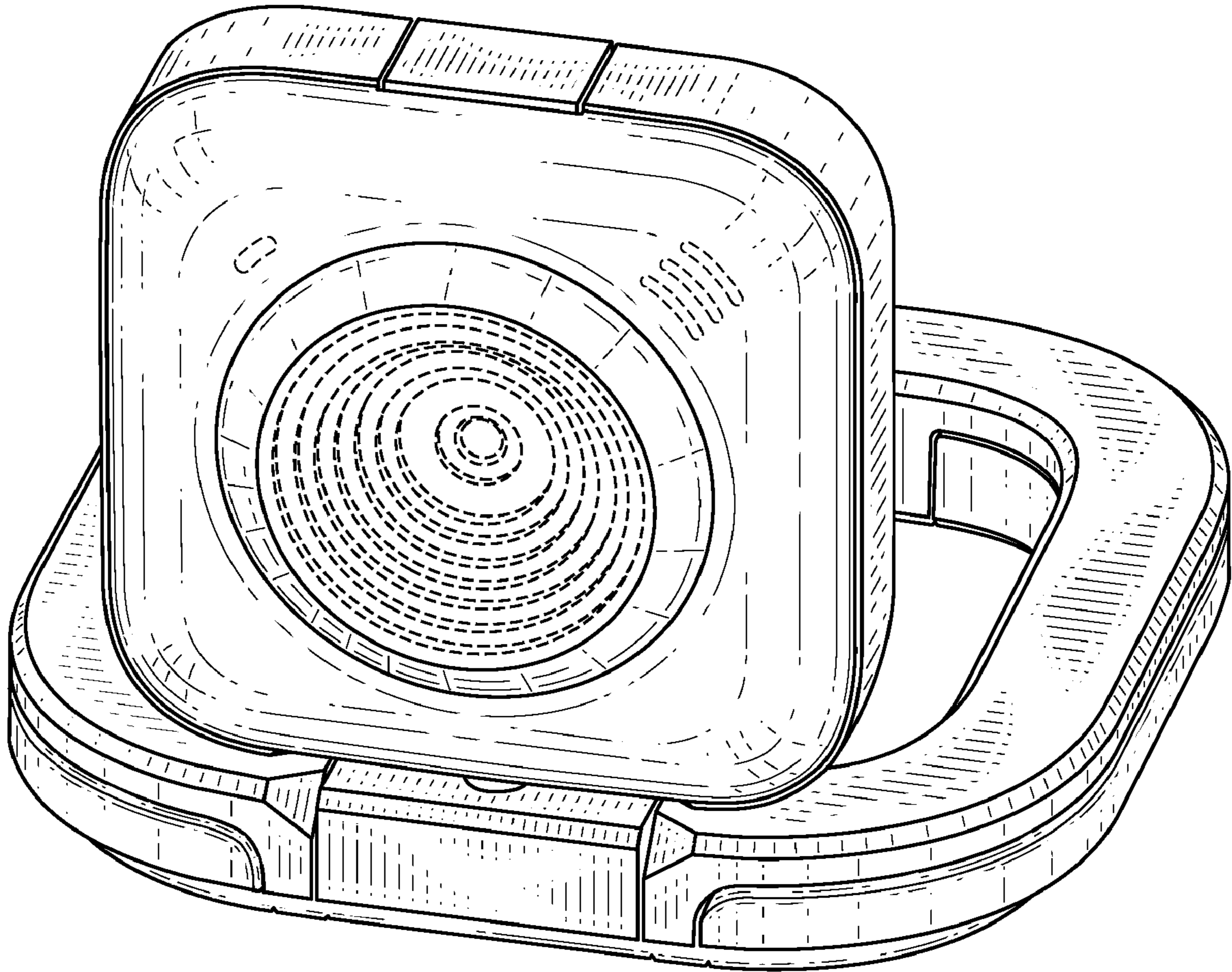


FIG. 8

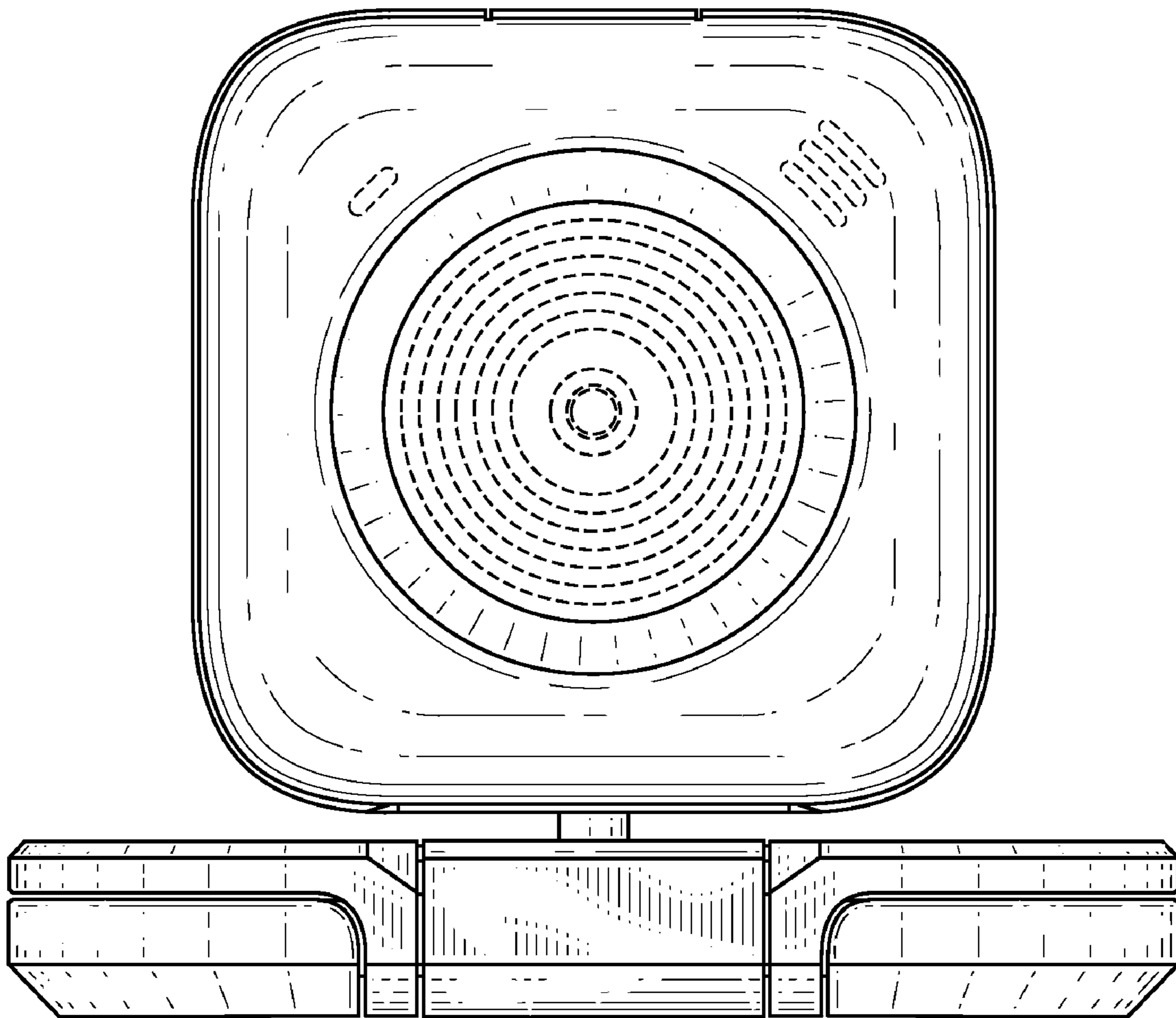


FIG. 9

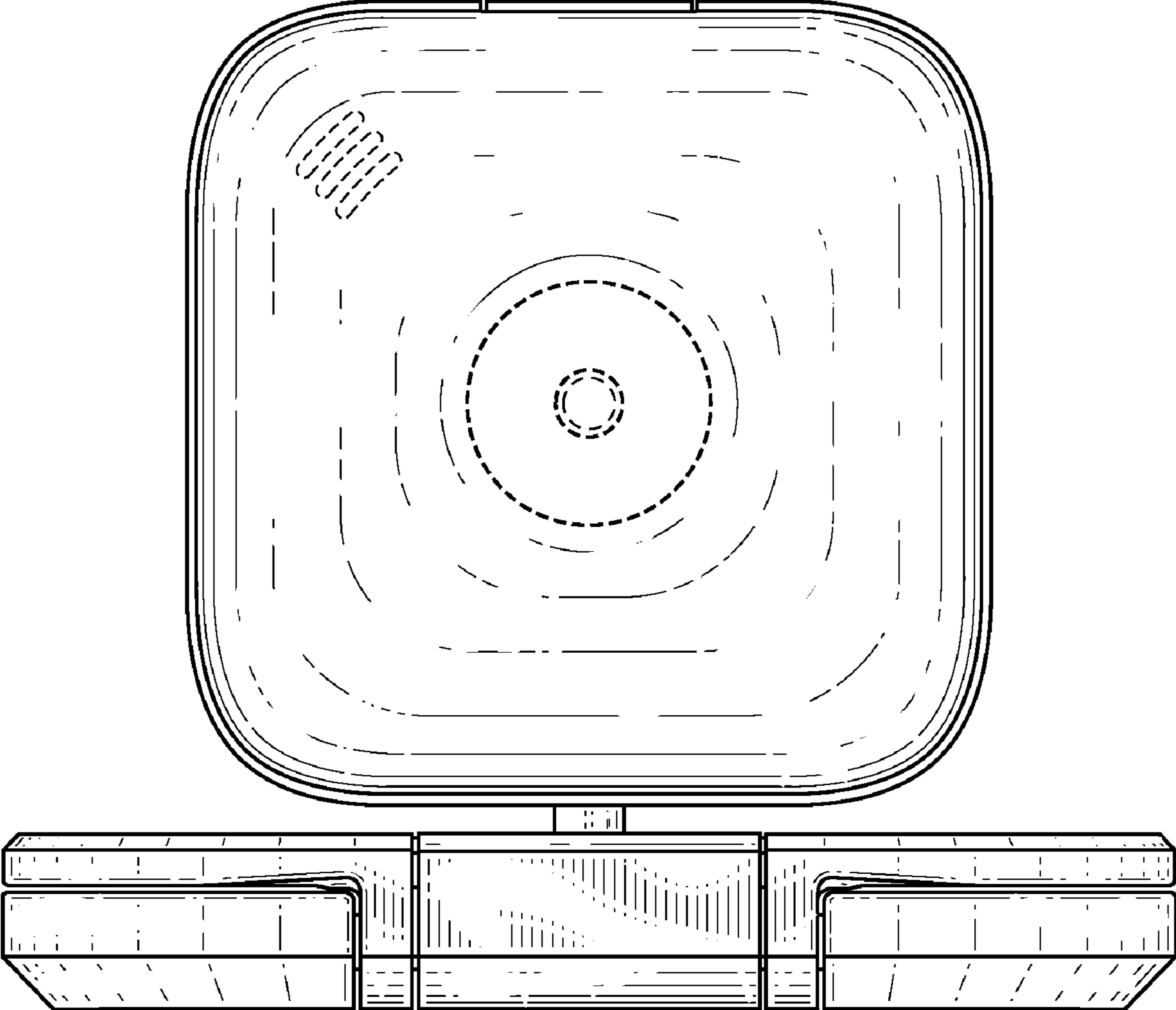


FIG. 10

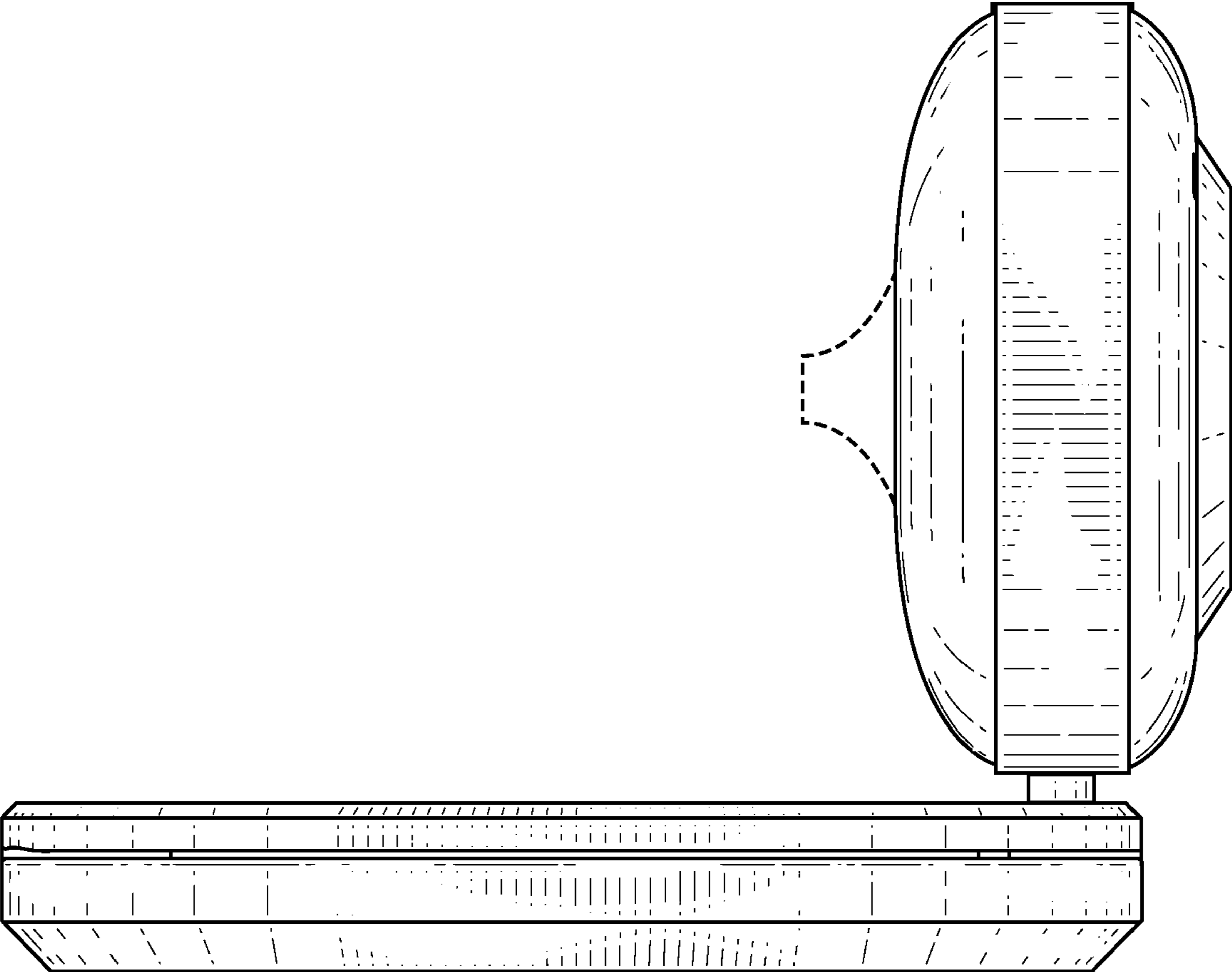


FIG. 11

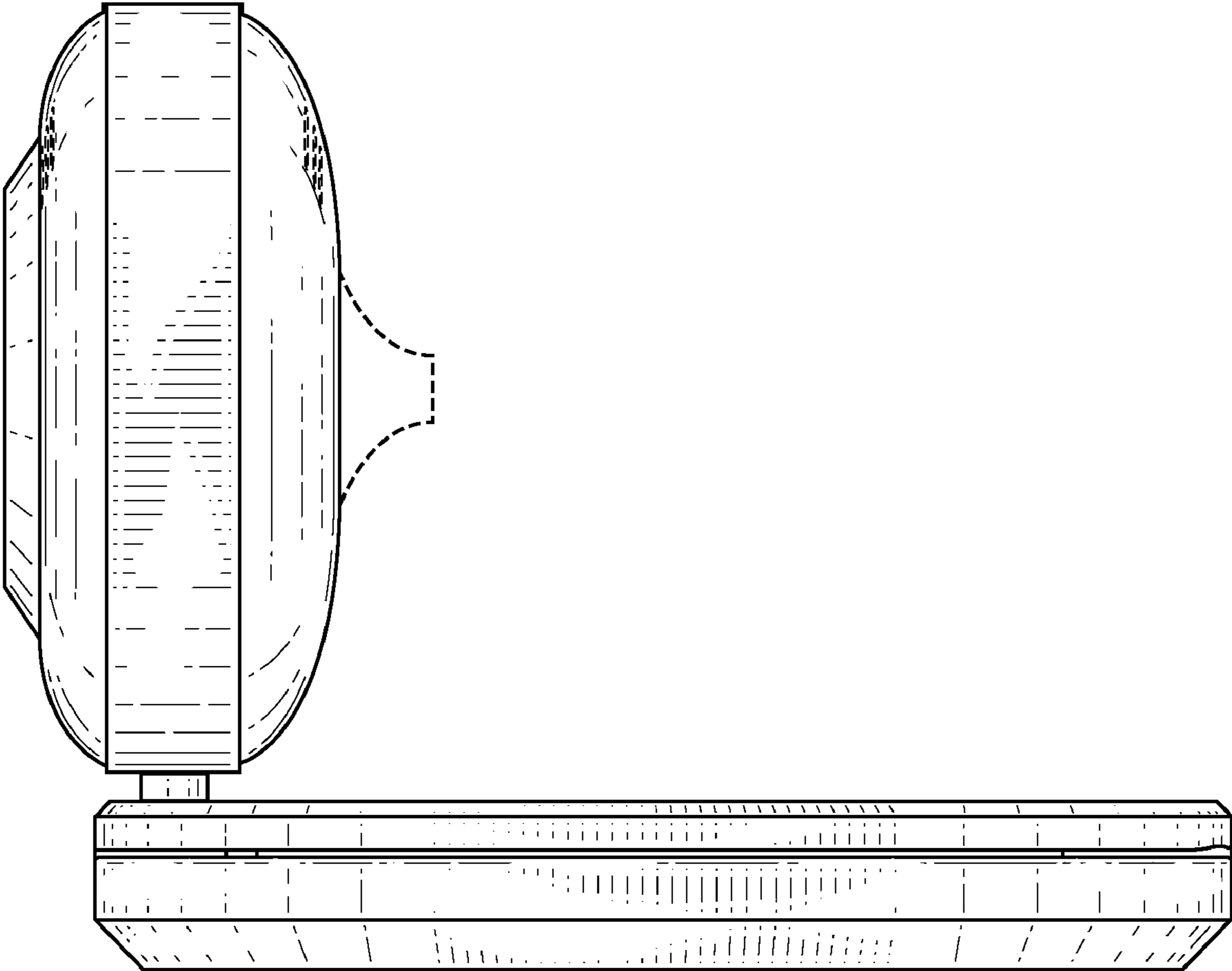


FIG. 12

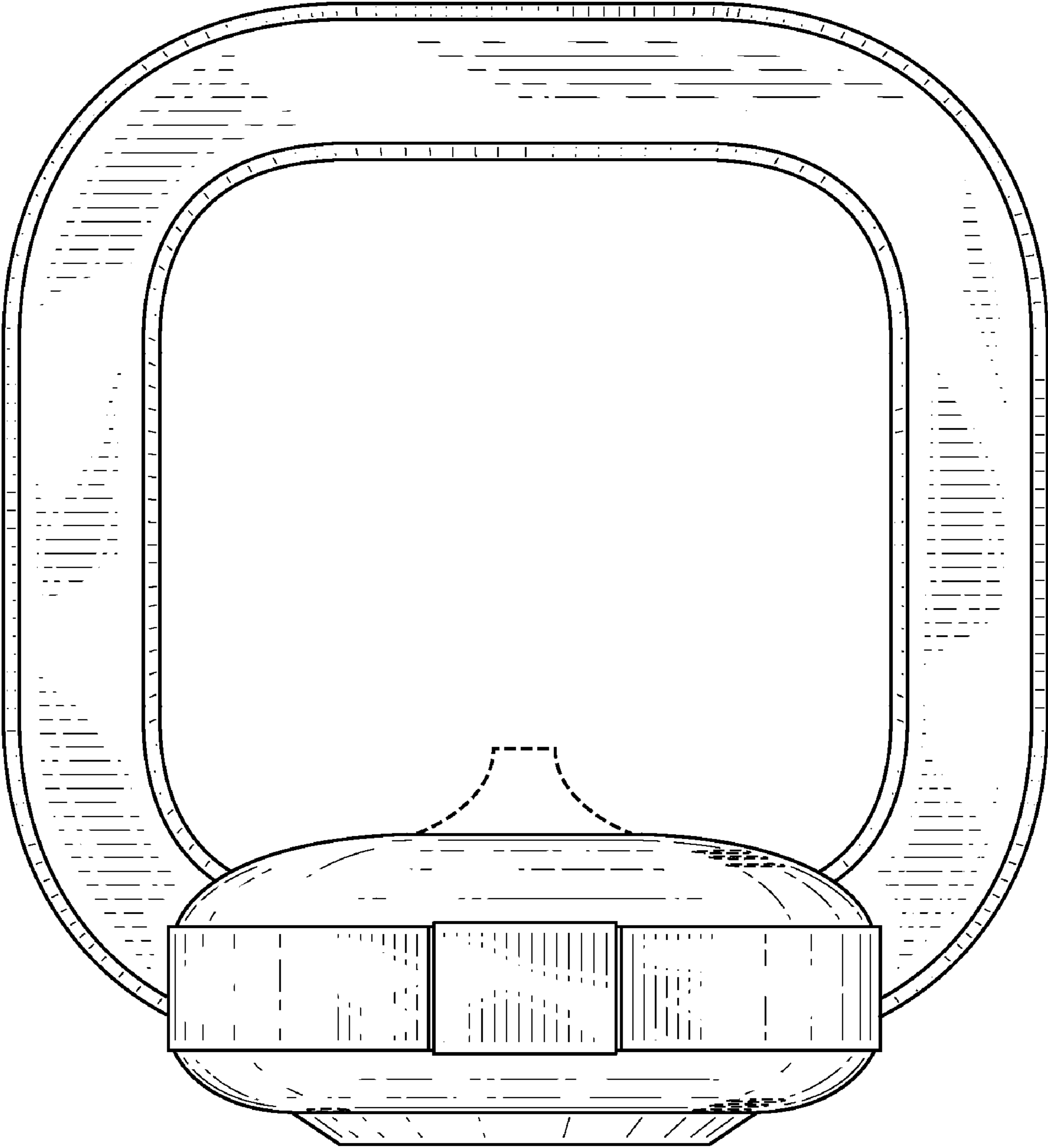


FIG. 13

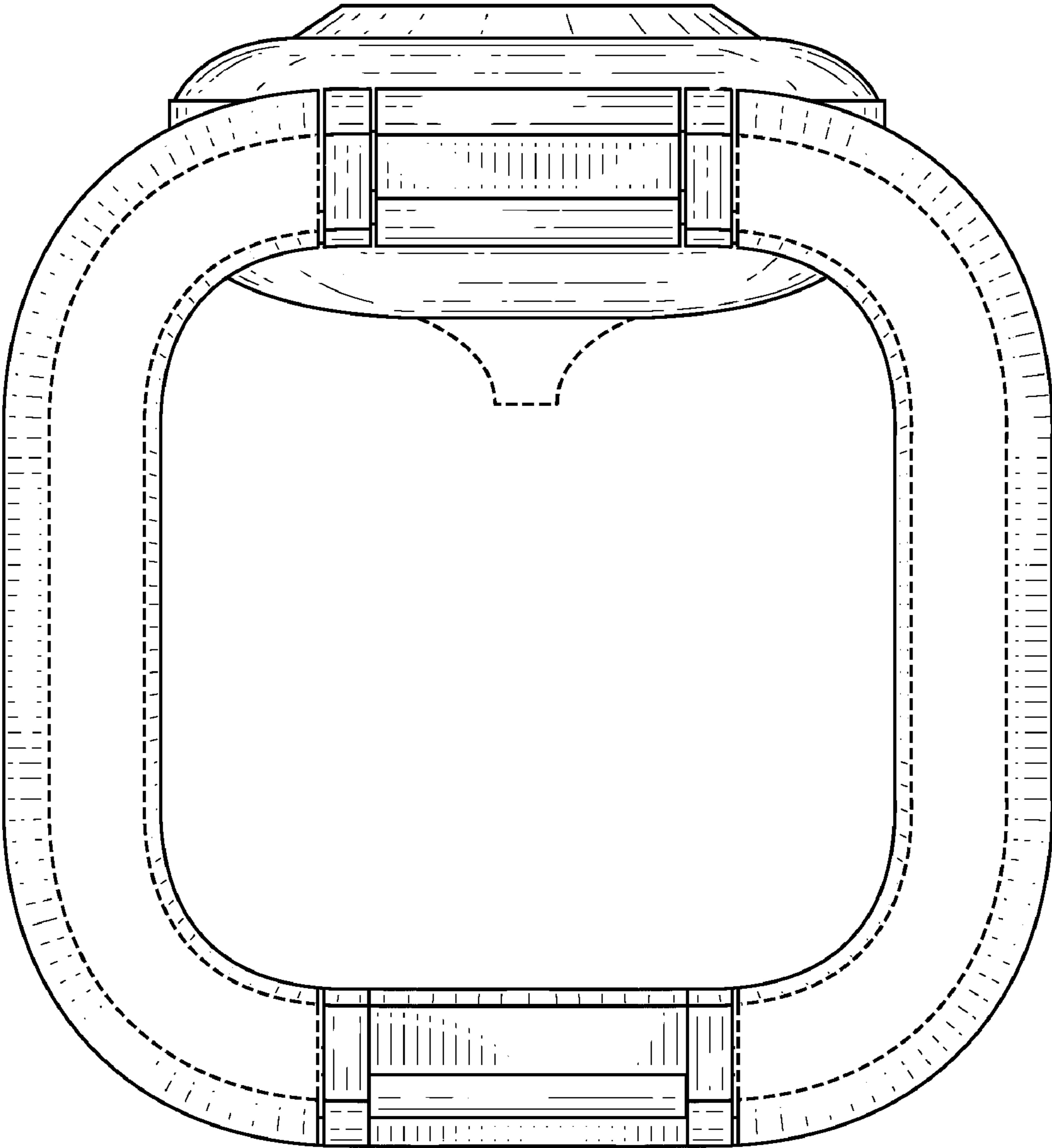


FIG. 14

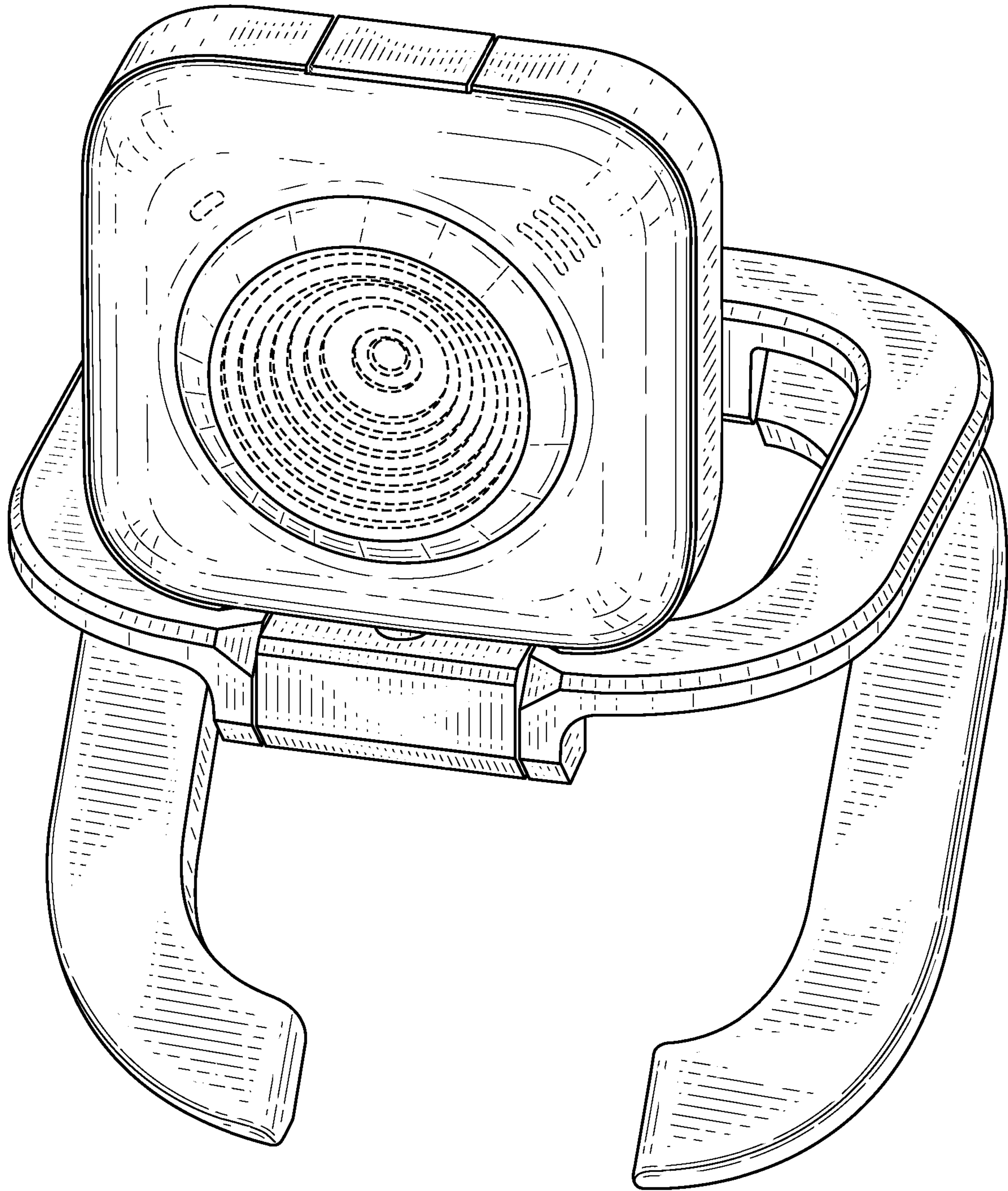


FIG. 15



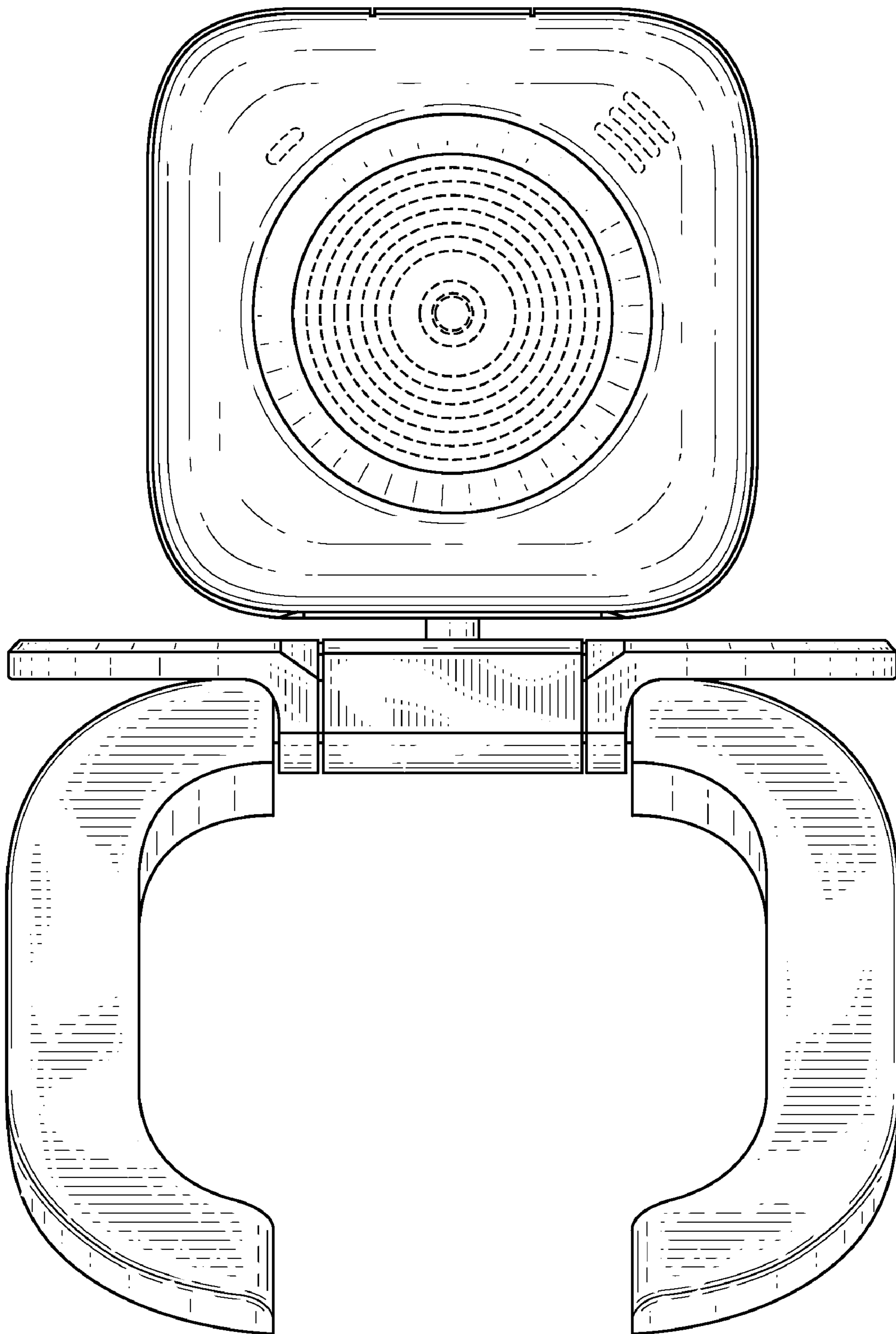


FIG. 16

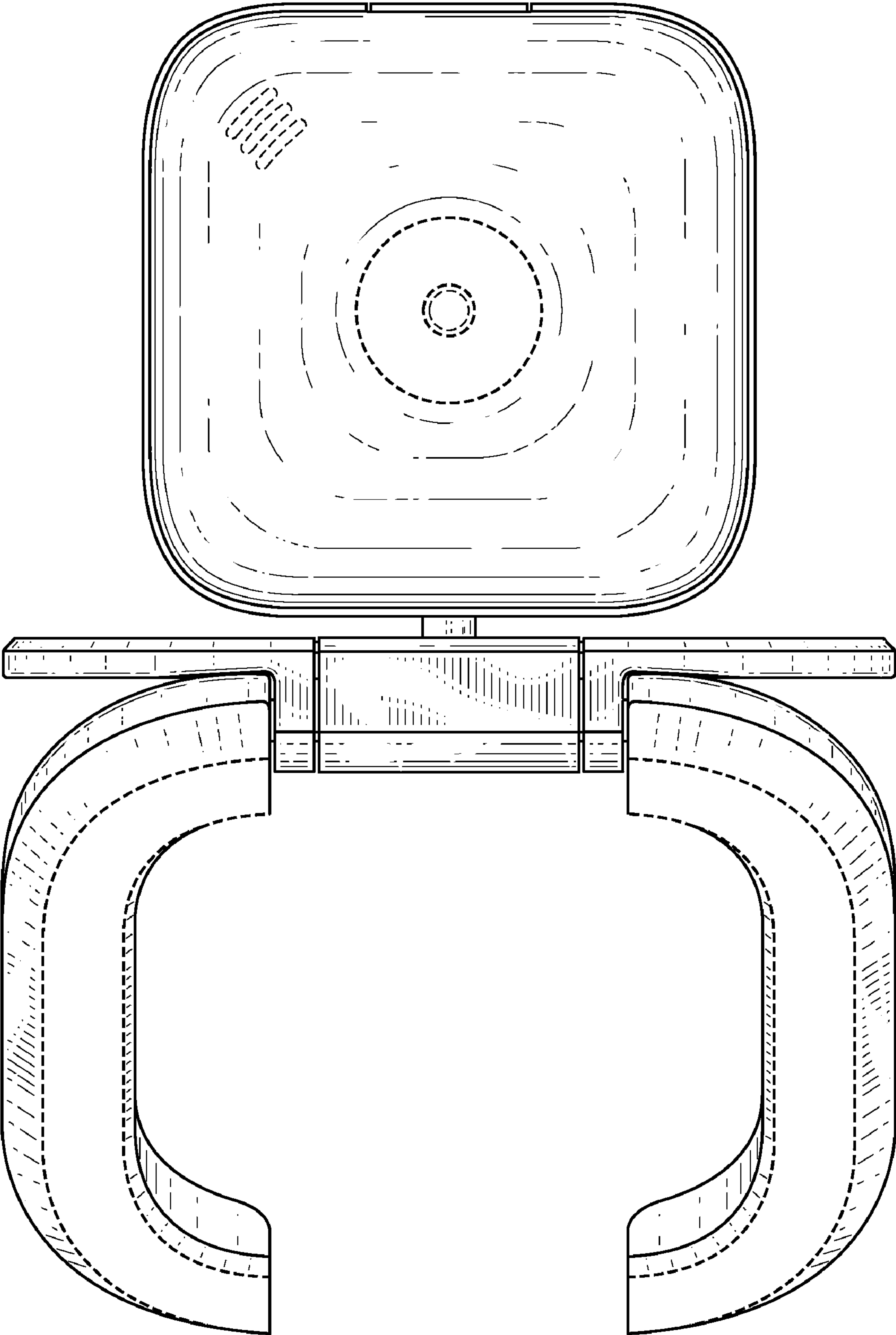


FIG. 17

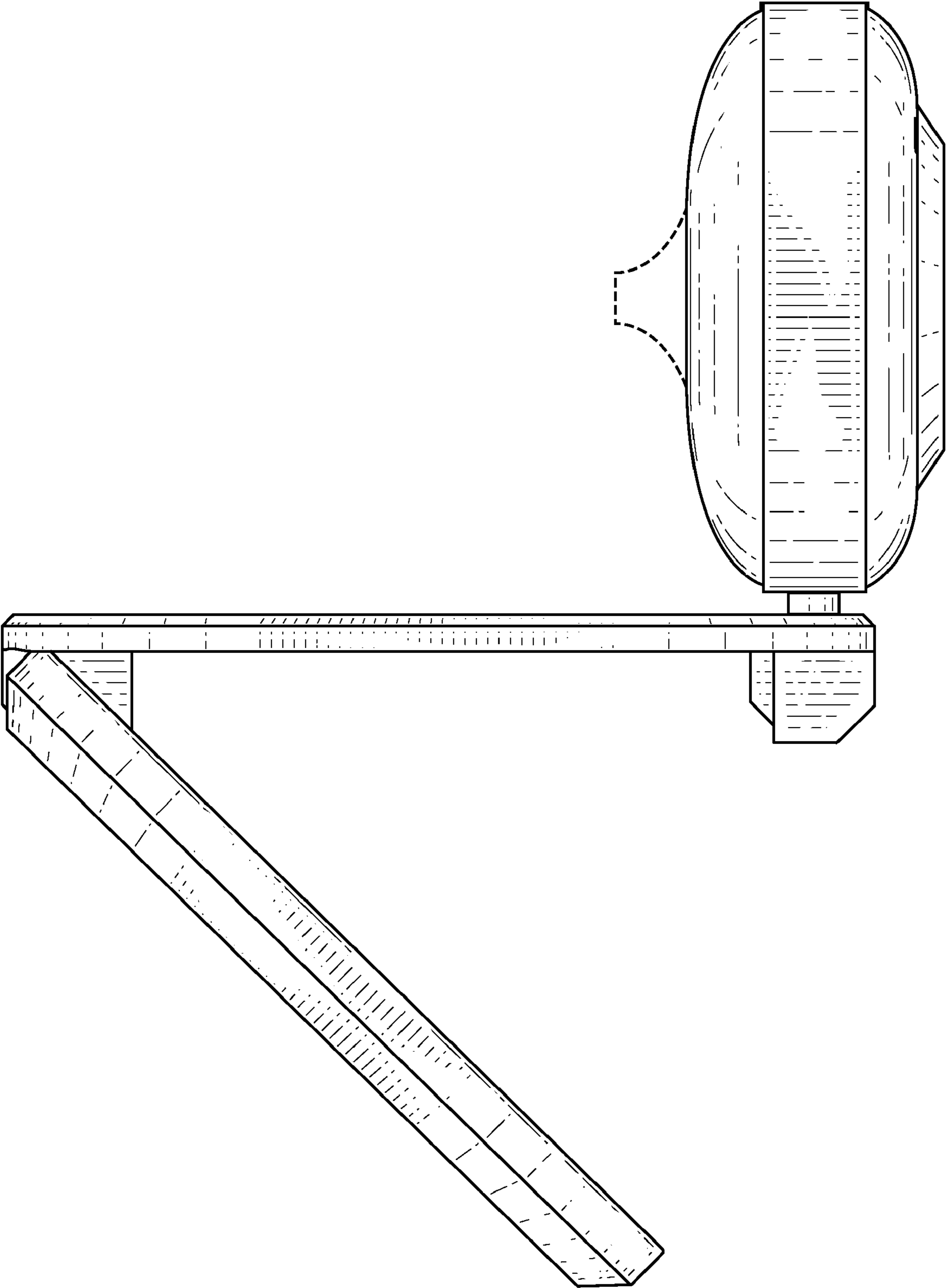


FIG. 18

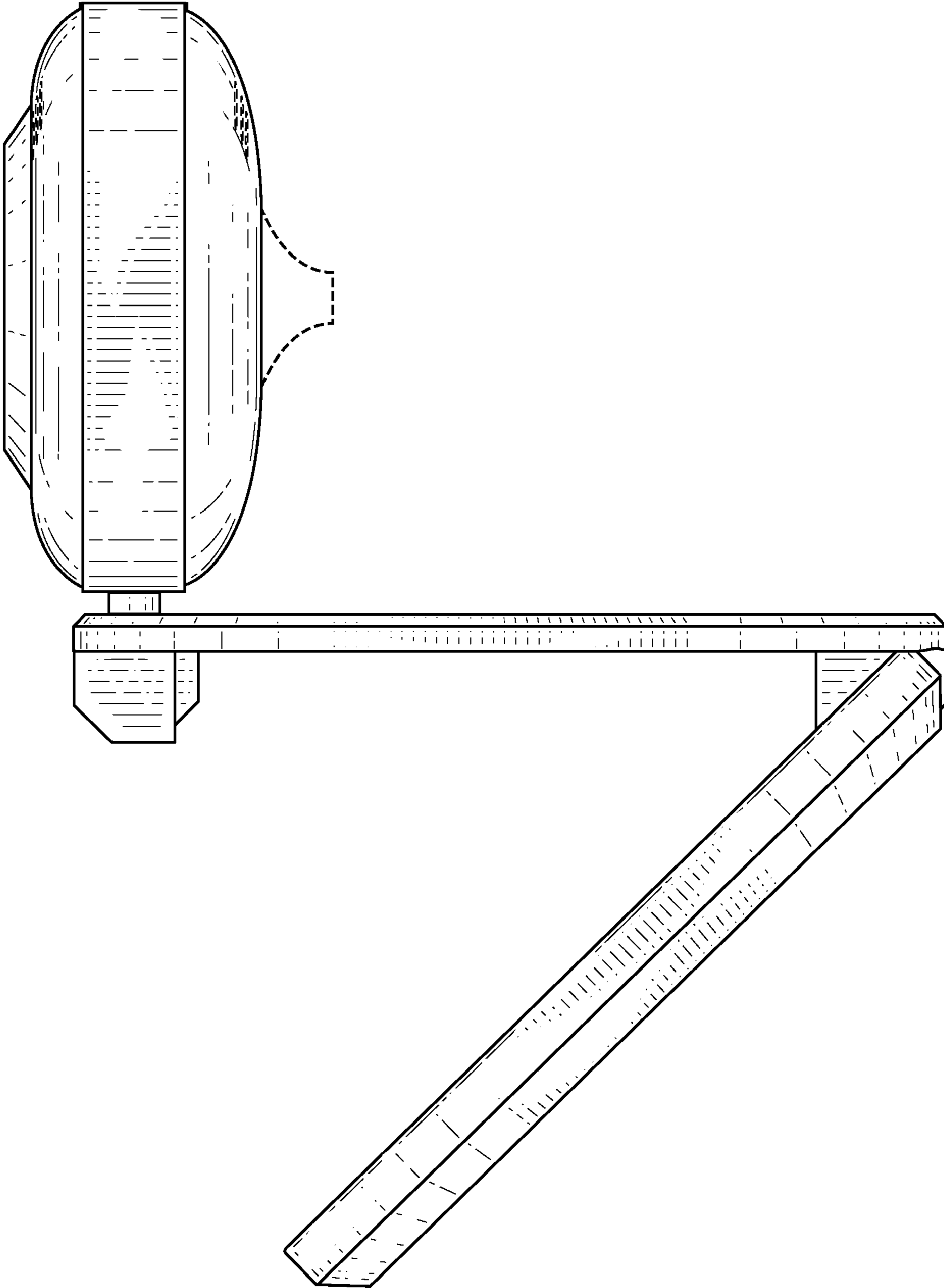


FIG. 19

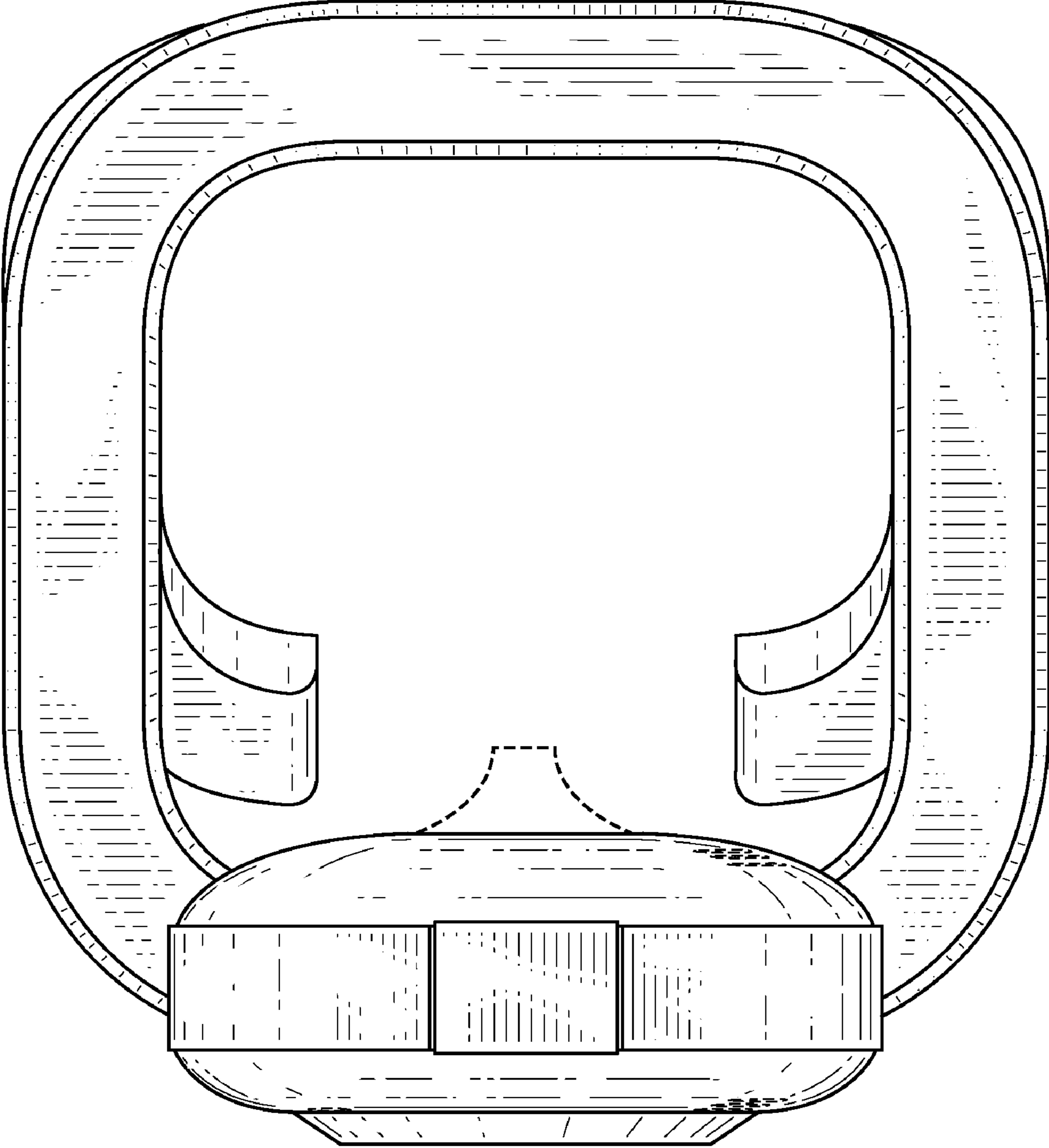


FIG. 20

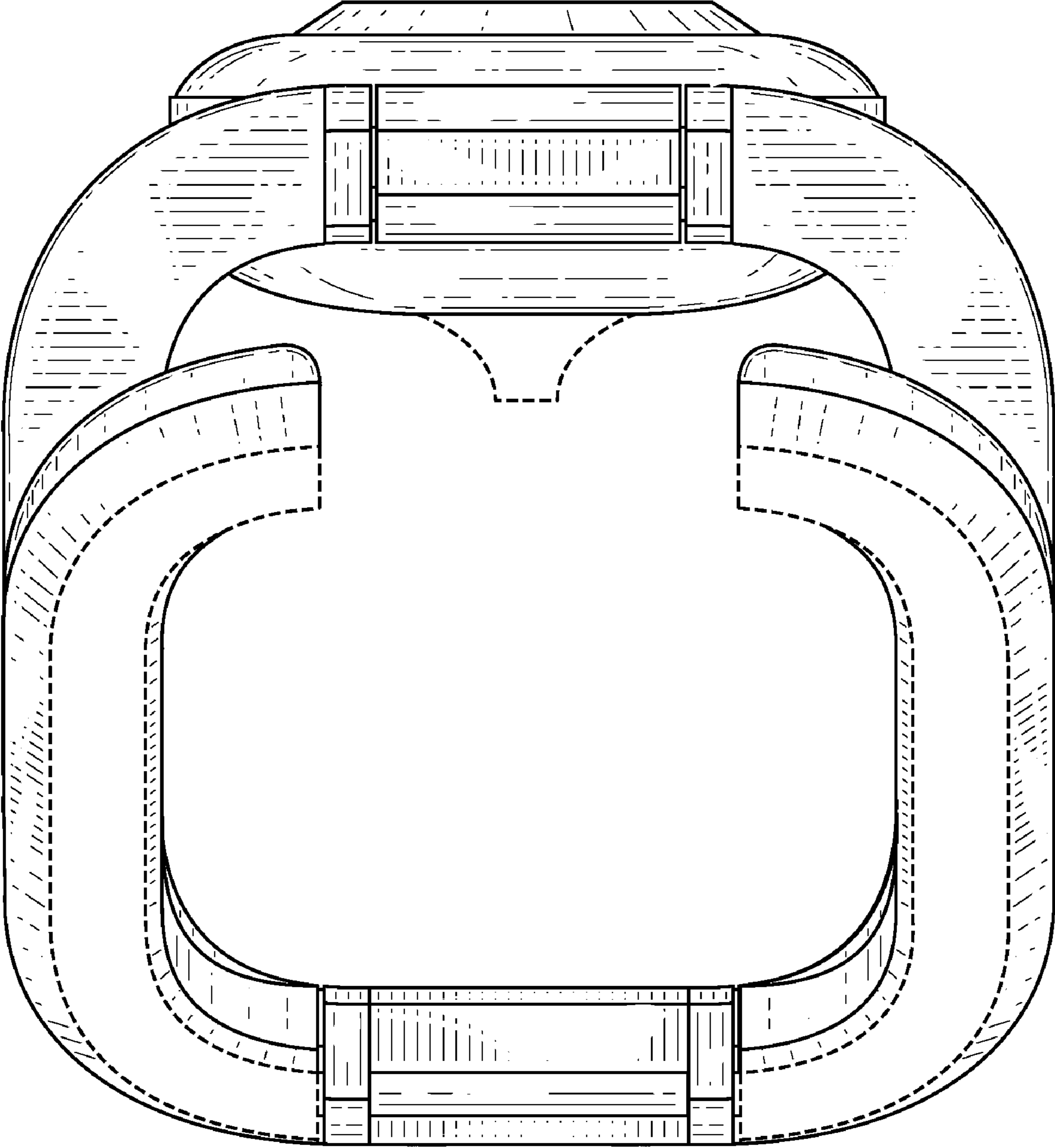


FIG. 21