



US00D614222S

(12) **United States Design Patent**  
**Yamakawa**

(10) **Patent No.:** **US D614,222 S**  
(45) **Date of Patent:** **\*\* Apr. 20, 2010**

(54) **SURVEILLANCE CAMERA**

D592,231 S \* 5/2009 Schnell ..... D16/202

(75) Inventor: **Yasuki Yamakawa**, Kanagawa (JP)

**FOREIGN PATENT DOCUMENTS**

(73) Assignee: **Panasonic Corporation**, Osaka (JP)

JP D1066228 4/2000  
JP D1195576 1/2004

(\*\*) Term: **14 Years**

\* cited by examiner

(21) Appl. No.: **29/337,722**

*Primary Examiner*—Adir Aronovich

(22) Filed: **May 28, 2009**

(74) *Attorney, Agent, or Firm*—Brinks Hofer Gilson & Lione

(30) **Foreign Application Priority Data**

(57) **CLAIM**

Dec. 5, 2008 (JP) ..... 2008-031196

I claim the ornamental design for a surveillance camera, as shown and described.

(51) **LOC (9) Cl.** ..... **16-01**

**DESCRIPTION**

(52) **U.S. Cl.** ..... **D16/203**

FIG. 1 is front and left side perspective view of a surveillance camera showing the present invention;

(58) **Field of Classification Search** ..... D16/200–205,  
D16/208, 218; 348/143, 373–376; 358/906;  
396/427, 535–541

FIG. 2 is a front elevational view thereof;

See application file for complete search history.

FIG. 3 is a rear elevational view thereof;

(56) **References Cited**

**U.S. PATENT DOCUMENTS**

4,394,692 A \* 7/1983 Randmae et al. .... 348/143  
D416,272 S \* 11/1999 Adachi ..... D16/203  
6,683,654 B1 \* 1/2004 Haijima ..... 348/374  
6,728,480 B1 \* 4/2004 Maeda et al. .... 348/373  
D489,744 S \* 5/2004 Muto ..... D16/203  
D529,063 S \* 9/2006 Cheng ..... D16/203  
D540,360 S \* 4/2007 Yamakawa ..... D16/203  
D563,450 S \* 3/2008 Cheng ..... D16/203

FIG. 4 is a left side elevational view thereof;

FIG. 5 is a right side elevational view thereof;

FIG. 6 is a top plan view thereof;

FIG. 7 is a bottom plan view thereof; and,

FIG. 8 is front and right side perspective view thereof.

The broken line showing of surveillance camera is included for the purpose of illustrating environment and forms no part of the claimed design.

**1 Claim, 8 Drawing Sheets**

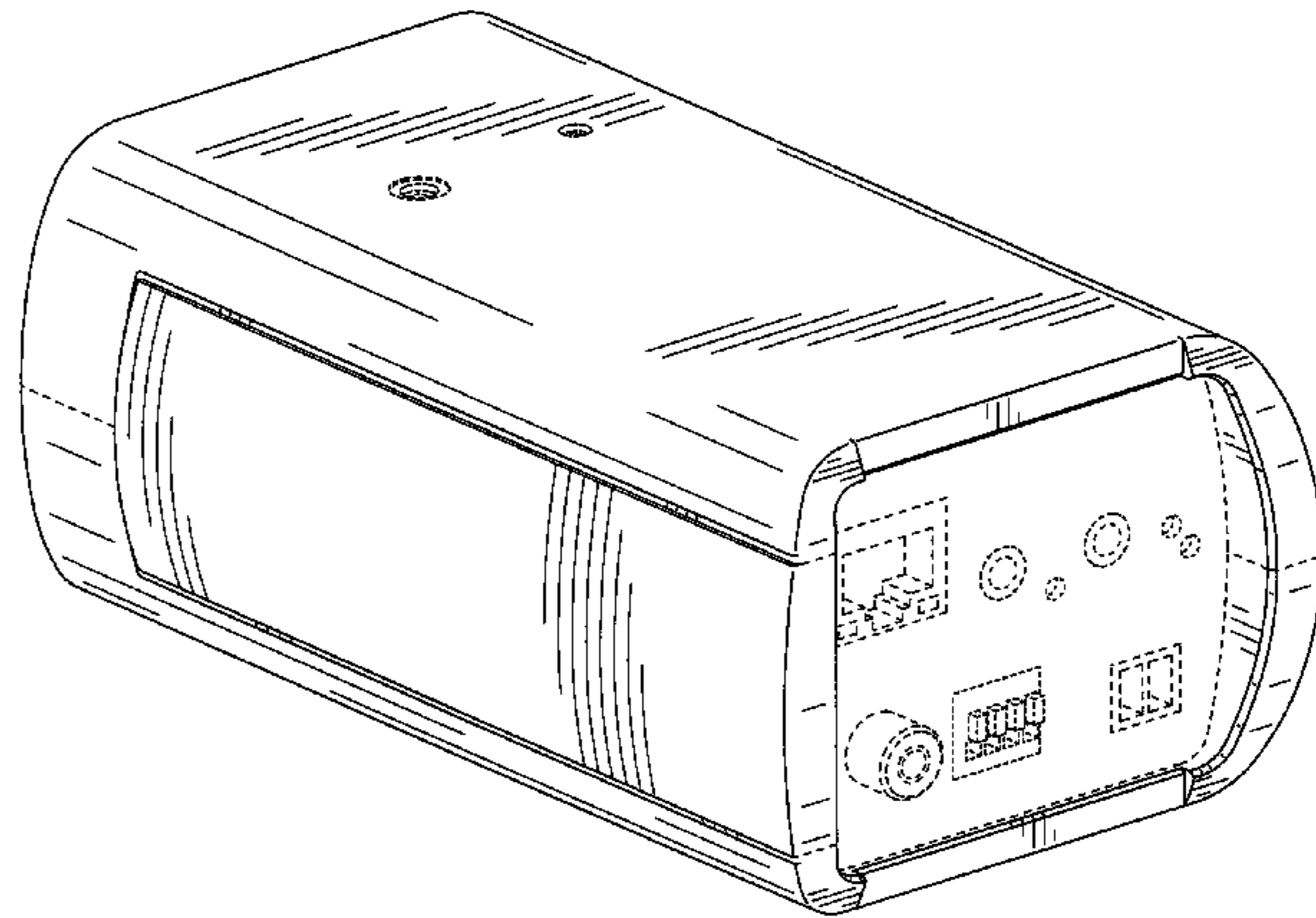
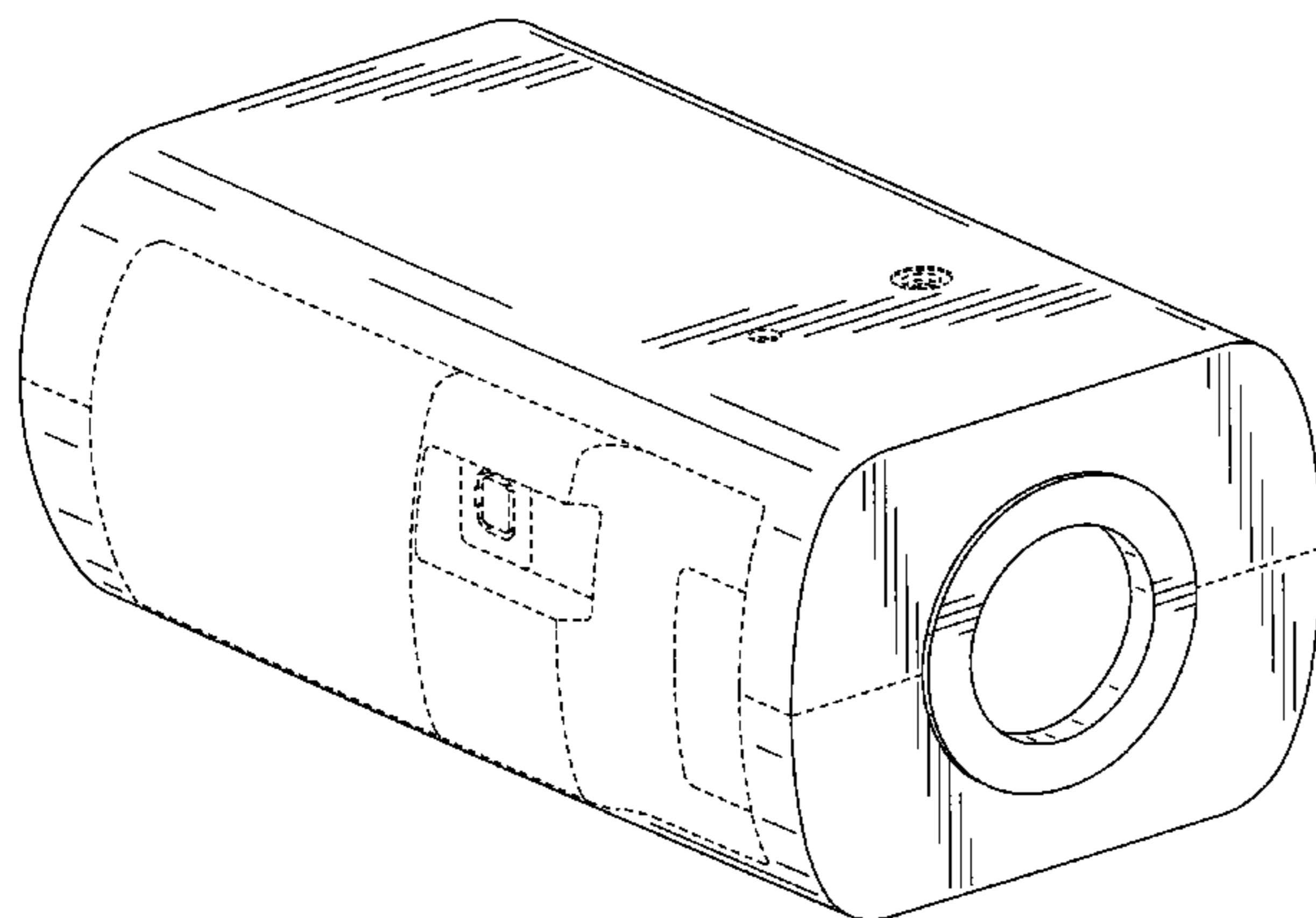


FIG.1

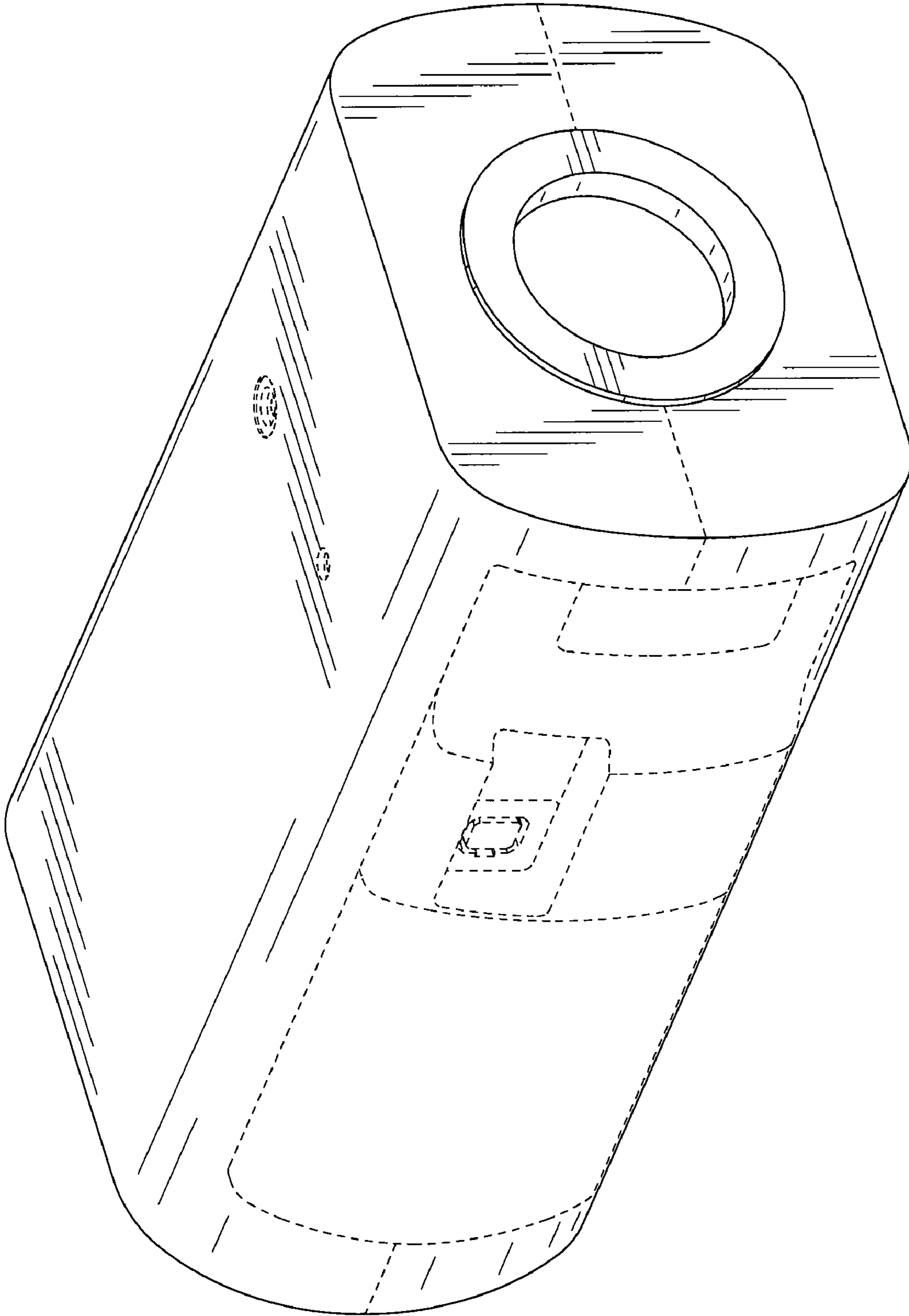


FIG.2

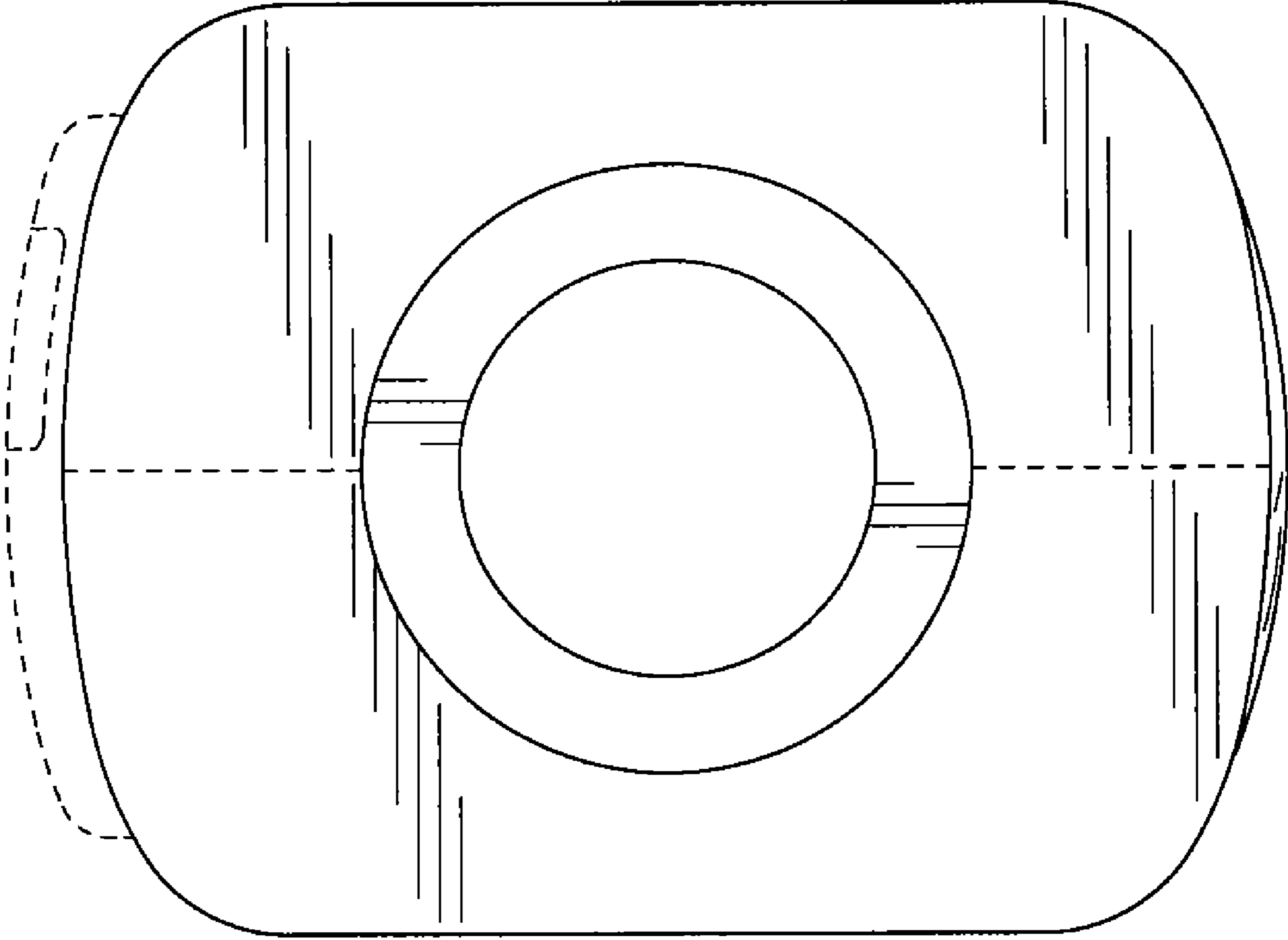


FIG.3

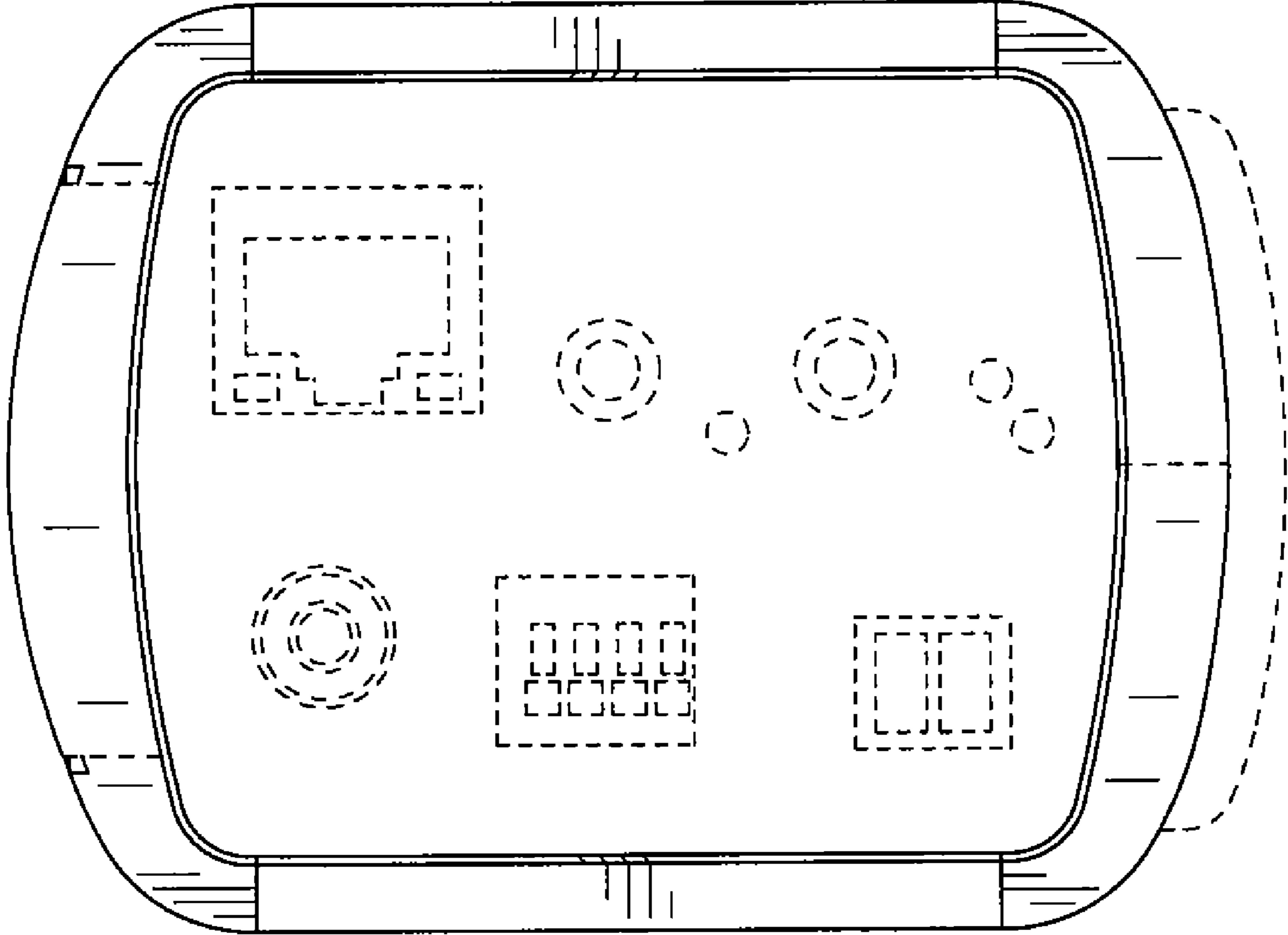


FIG.4

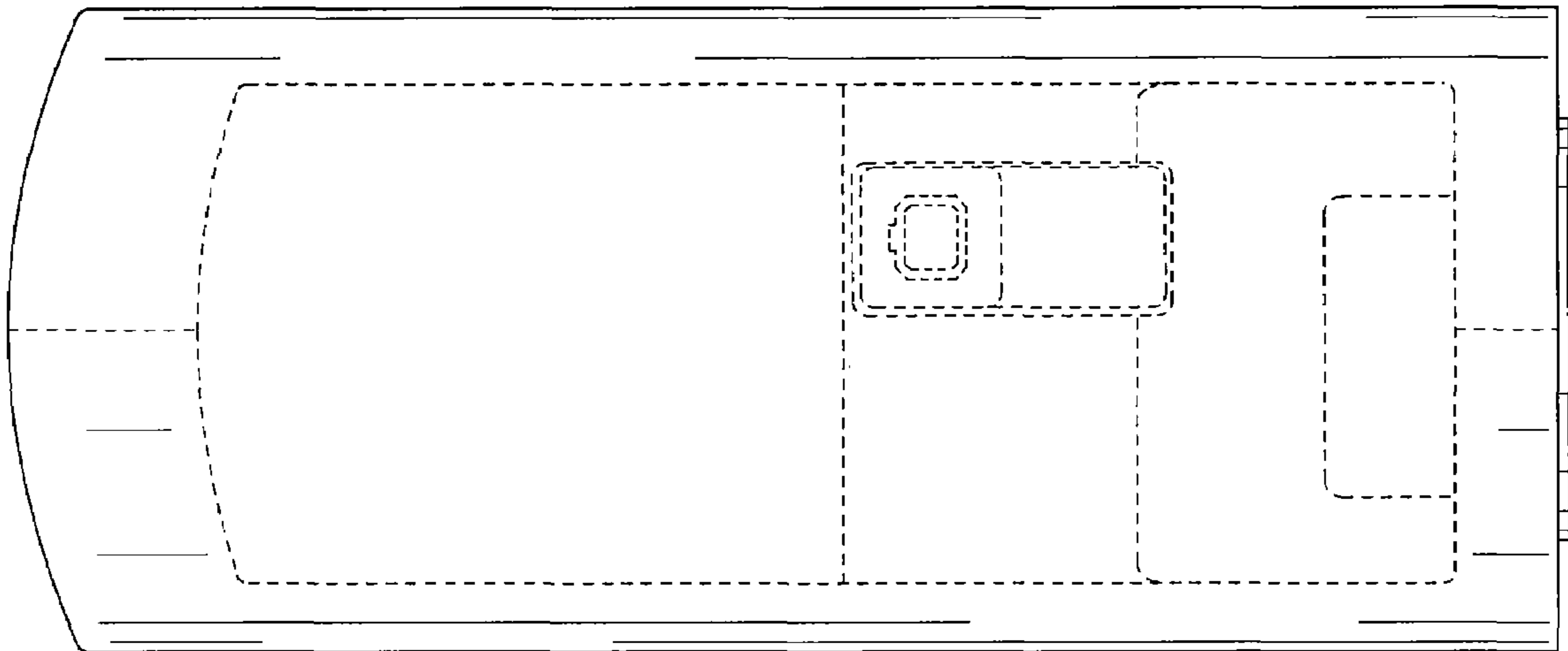


FIG.5

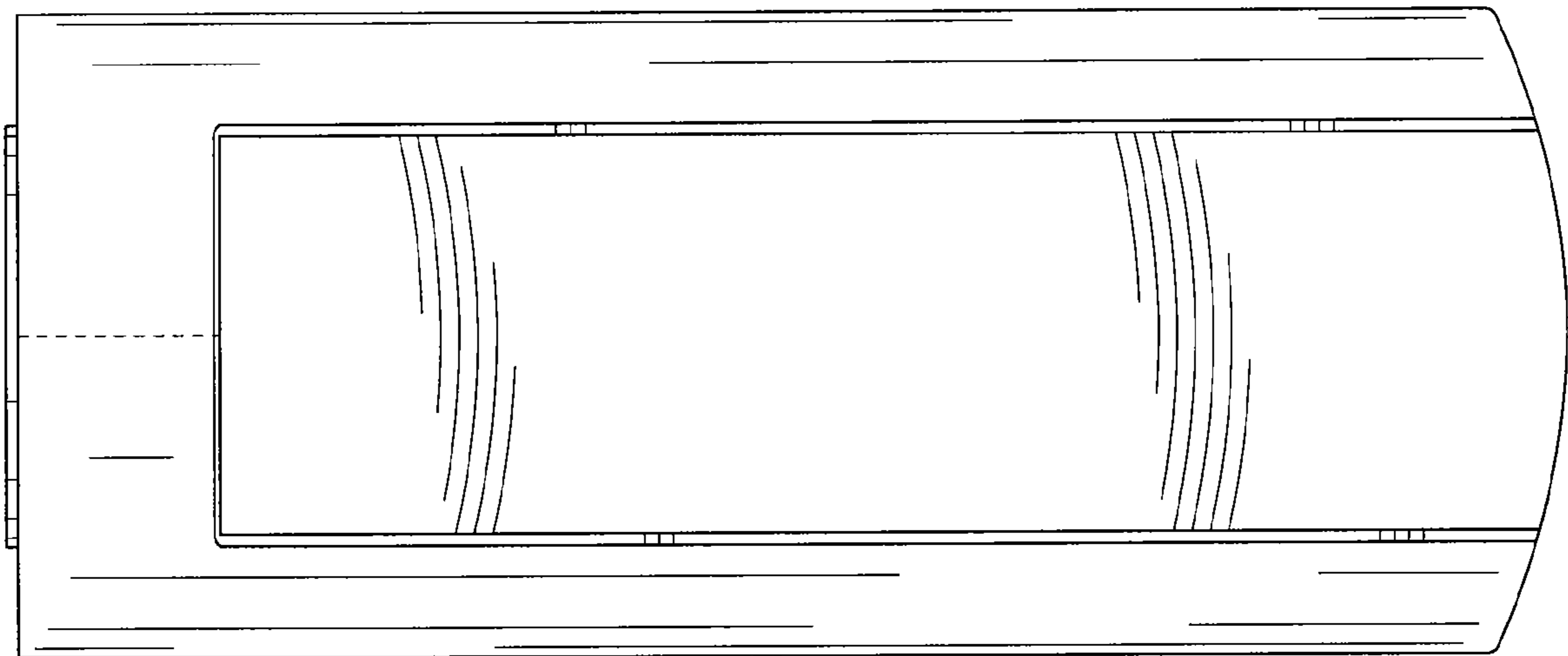


FIG.6

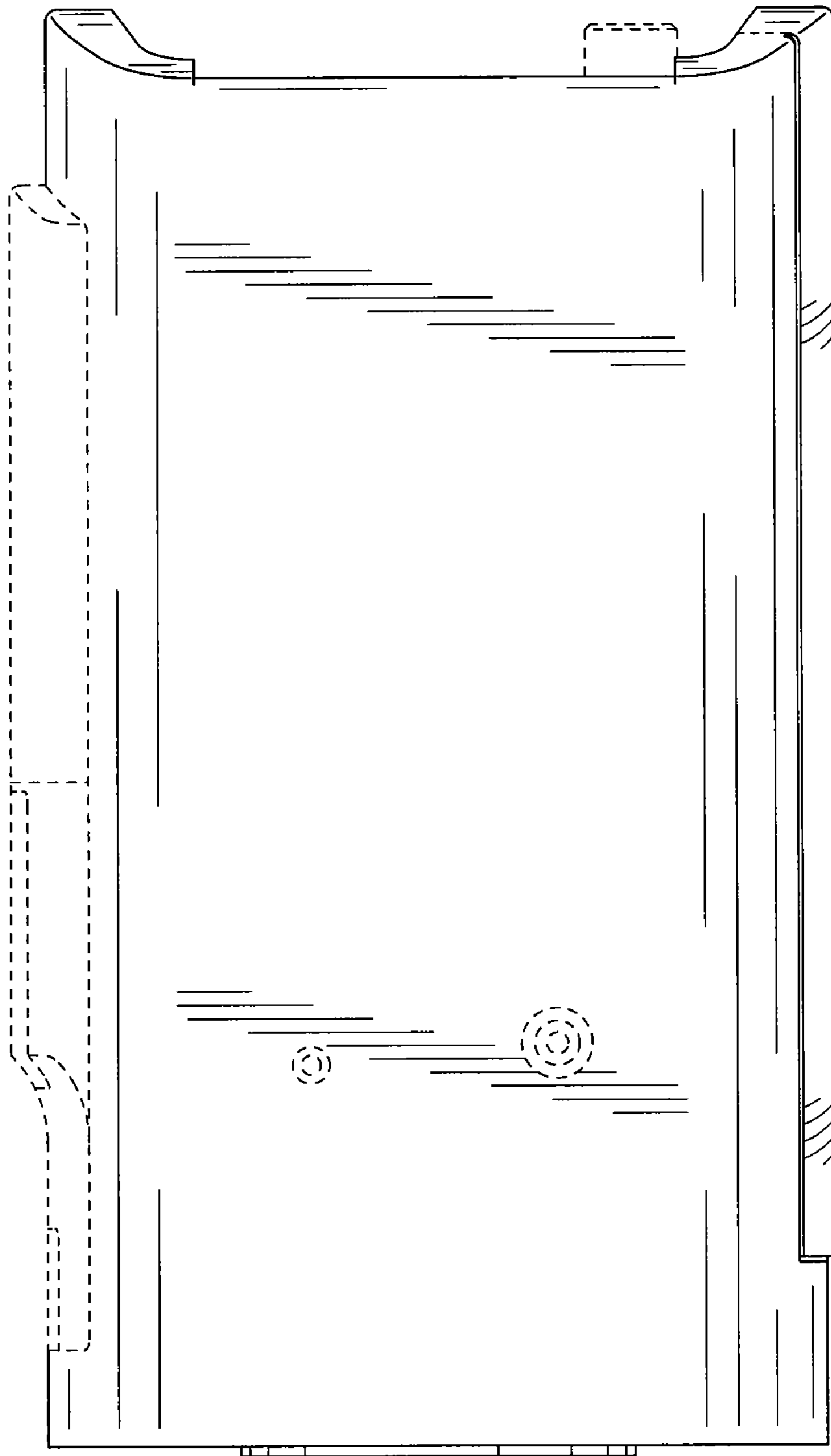


FIG.7

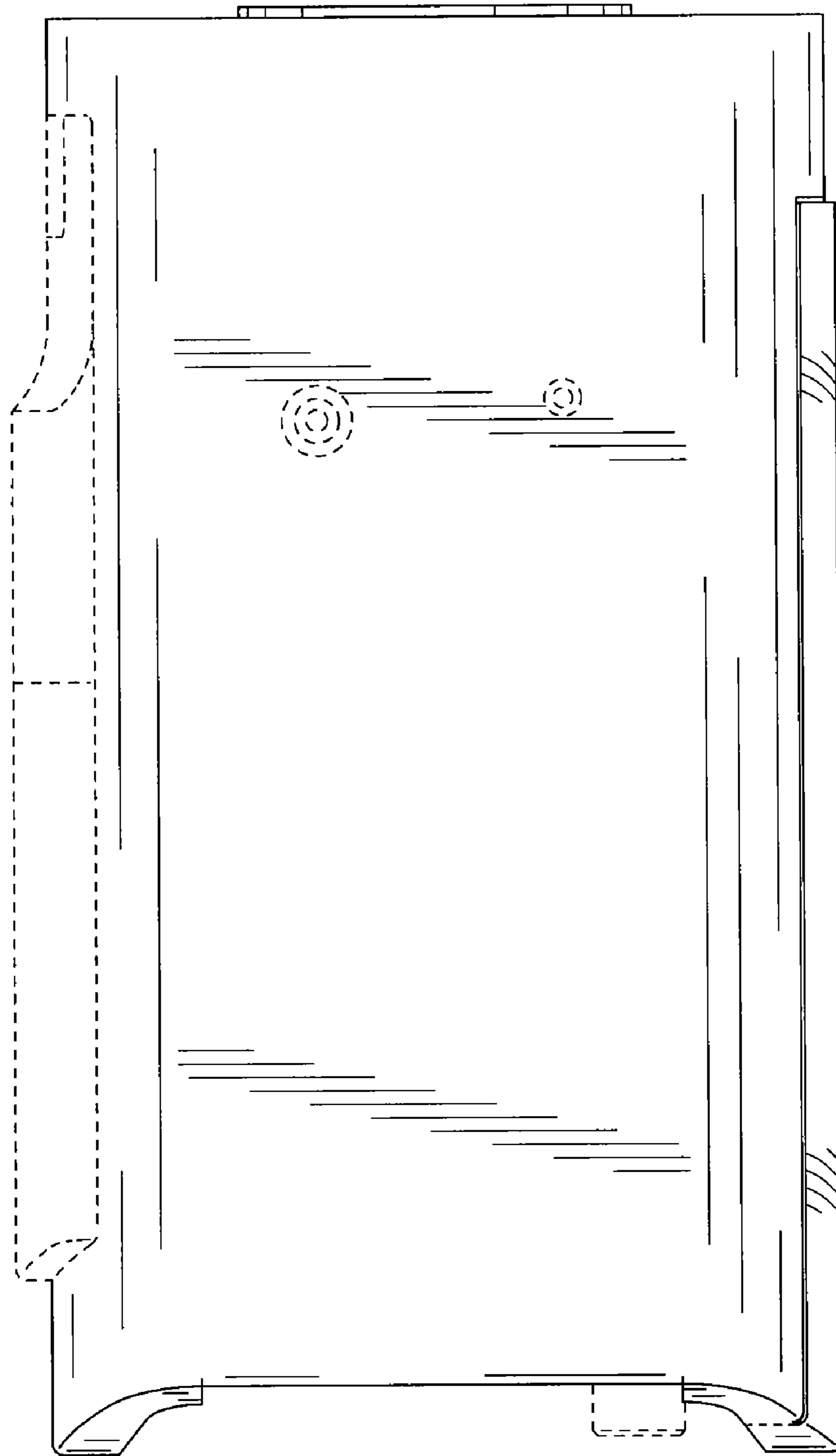




FIG.8

