



US00D614221S

(12) **United States Design Patent**  
**Park**

(10) **Patent No.:** **US D614,221 S**  
(45) **Date of Patent:** **\*\* Apr. 20, 2010**

(54) **CAMCORDER**  
(75) Inventor: **Jung-Hyun Park**, Seoul (KR)  
(73) Assignee: **Samsung Electronics Co., Ltd.**, Suwon, Kyunggi-do (KR)  
(\*\*) Term: **14 Years**  
(21) Appl. No.: **29/315,535**  
(22) Filed: **Jul. 2, 2009**  
(51) **LOC (9) Cl.** ..... **16-01**  
(52) **U.S. Cl.** ..... **D16/202; D16/203**  
(58) **Field of Classification Search** ..... D16/200–205, D16/208, 218; 348/81, 373–376; 358/906; 396/427, 535–541  
See application file for complete search history.

D551,275 S \* 9/2007 Kim ..... D16/202  
D552,142 S 10/2007 Chung  
D552,648 S 10/2007 Chung  
D554,676 S 11/2007 Kim  
D554,678 S 11/2007 Kim  
D556,801 S 12/2007 Kim  
D558,247 S 12/2007 Kim  
D559,290 S 1/2008 Chung  
D560,241 S 1/2008 Chung  
D560,242 S 1/2008 Chung  
D560,243 S 1/2008 Kim  
D580,469 S 11/2008 Chung et al.  
D580,470 S 11/2008 Chung et al.  
D582,460 S \* 12/2008 Yoo et al. .... D16/203  
D584,325 S 1/2009 Chung et al.  
D584,753 S 1/2009 Chung et al.  
D584,754 S 1/2009 Chung et al.  
D584,755 S \* 1/2009 Eriksson ..... D16/202  
D592,231 S \* 5/2009 Schnell ..... D16/203  
D600,731 S \* 9/2009 Lee et al. .... D16/203  
2007/0153120 A1 \* 7/2007 Kajikawa et al. .... 348/373

(56) **References Cited**  
U.S. PATENT DOCUMENTS

D356,806 S 3/1995 Kim  
D365,354 S 12/1995 Sung  
D366,886 S 2/1996 Choi  
D368,729 S 4/1996 Choi  
D372,925 S 8/1996 Choi  
D378,296 S 3/1997 Choi  
D383,767 S 9/1997 Sung et al.  
D386,506 S 11/1997 Choi  
D388,804 S \* 1/1998 Swayze et al. .... D16/202  
D390,243 S 2/1998 Choi  
6,304,289 B1 \* 10/2001 Sakai et al. .... 348/81  
D484,901 S 1/2004 Lim  
D520,044 S 5/2006 Chung et al.  
D520,545 S 5/2006 Chung et al.  
D520,546 S 5/2006 Kim  
D521,041 S 5/2006 Chung et al.  
7,066,663 B2 \* 6/2006 Cheng ..... 396/427  
D526,674 S 8/2006 Byun et al.  
D528,142 S 9/2006 Byun et al.  
D528,576 S 9/2006 Chung et al.  
D528,577 S 9/2006 Byun et al.  
D532,809 S \* 11/2006 Shih ..... D16/203  
D533,206 S 12/2006 Kim

\* cited by examiner

*Primary Examiner*—Adir Aronovich  
(74) *Attorney, Agent, or Firm*—Flynn, Thiel, Boutell & Tanis, P.C.

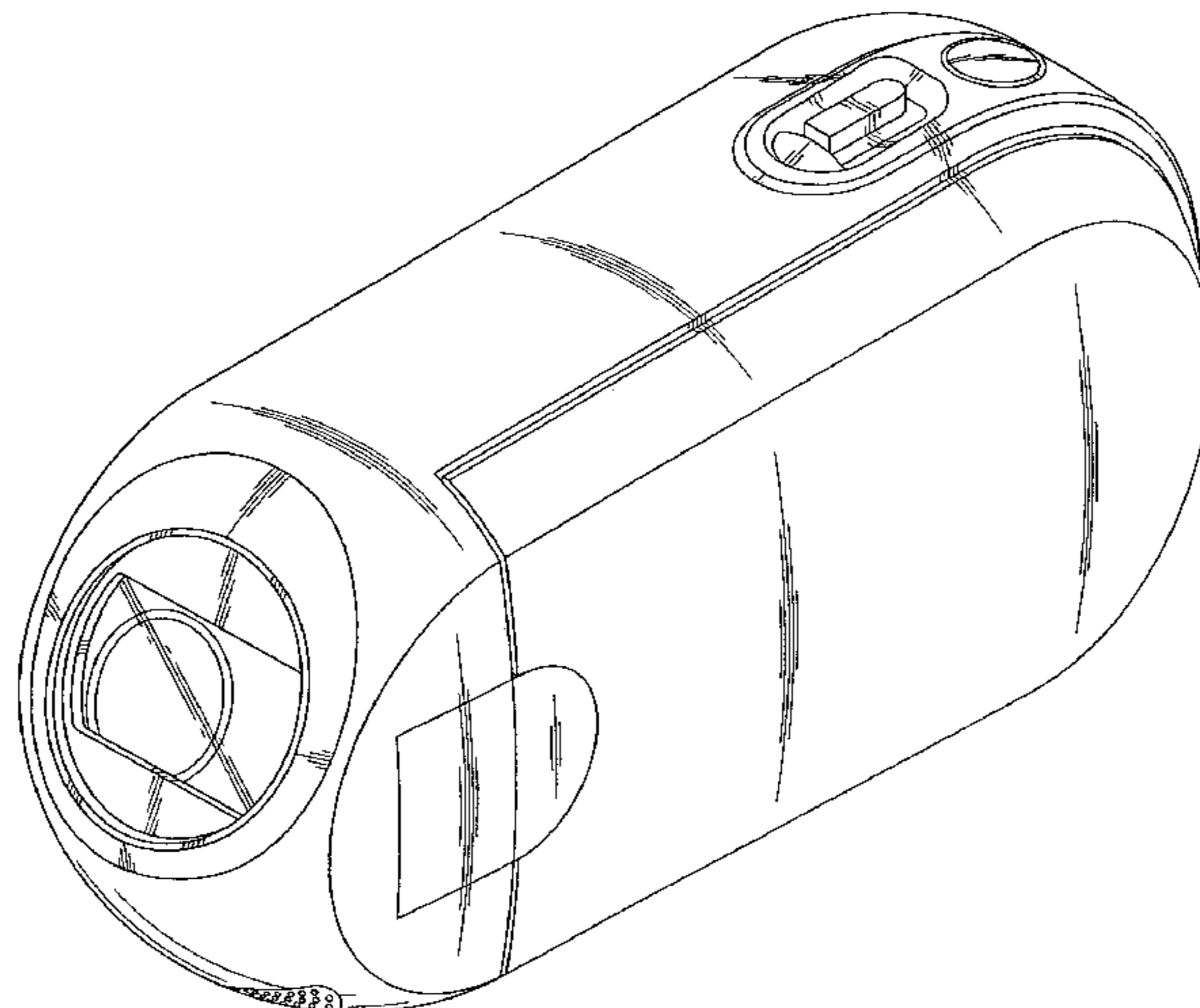
(57) **CLAIM**

The ornamental design for a camcorder, as shown and described.

**DESCRIPTION**

FIG. 1 is a top front perspective view of a camcorder showing my new design;  
FIG. 2 is a front elevational view thereof;  
FIG. 3 is a rear elevational view thereof;  
FIG. 4 is a left side elevational view thereof;  
FIG. 5 is a right side elevational view thereof;  
FIG. 6 is a top plan view thereof; and,  
FIG. 7 is a bottom plan view thereof.

**1 Claim, 4 Drawing Sheets**



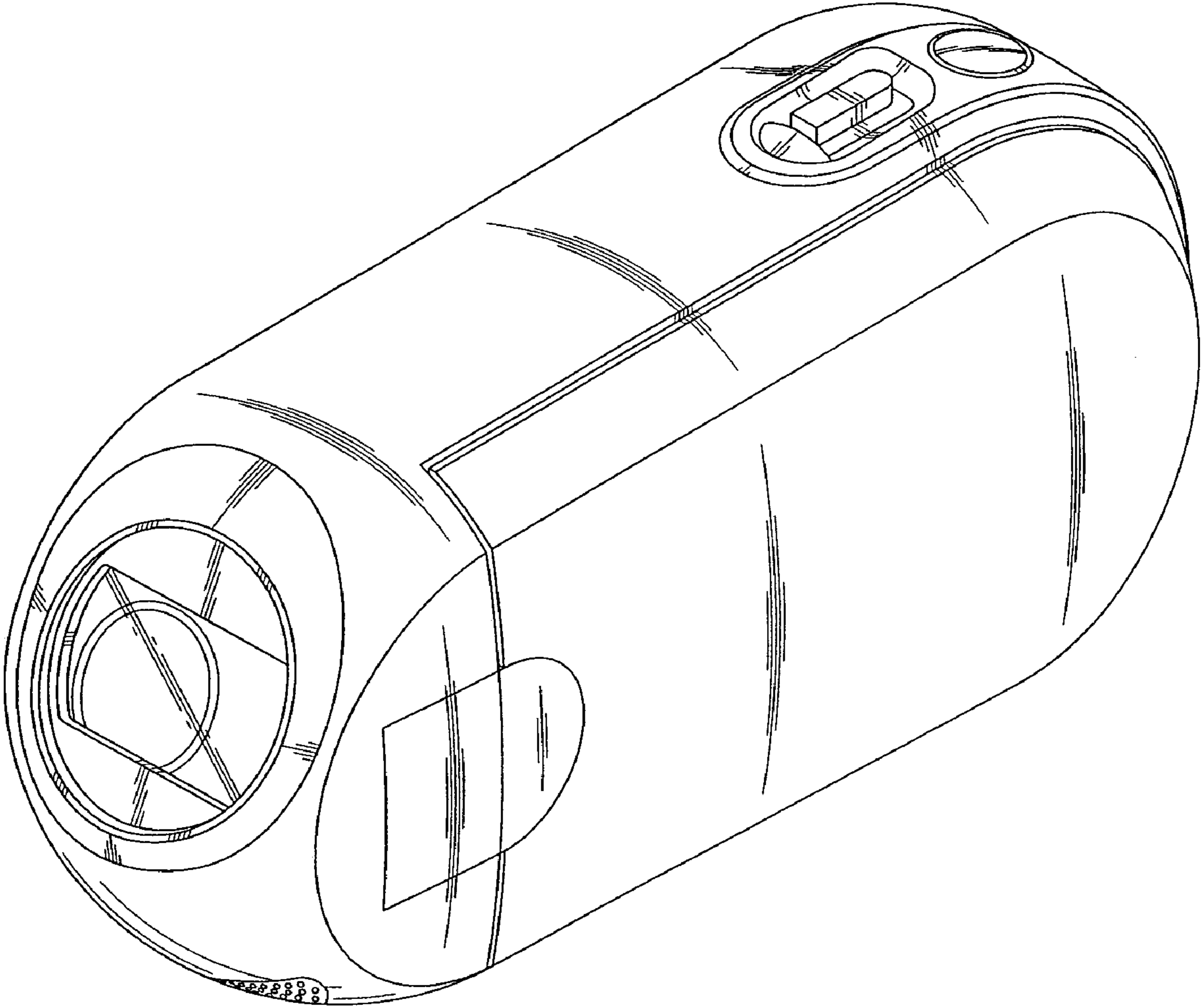


FIG. 1

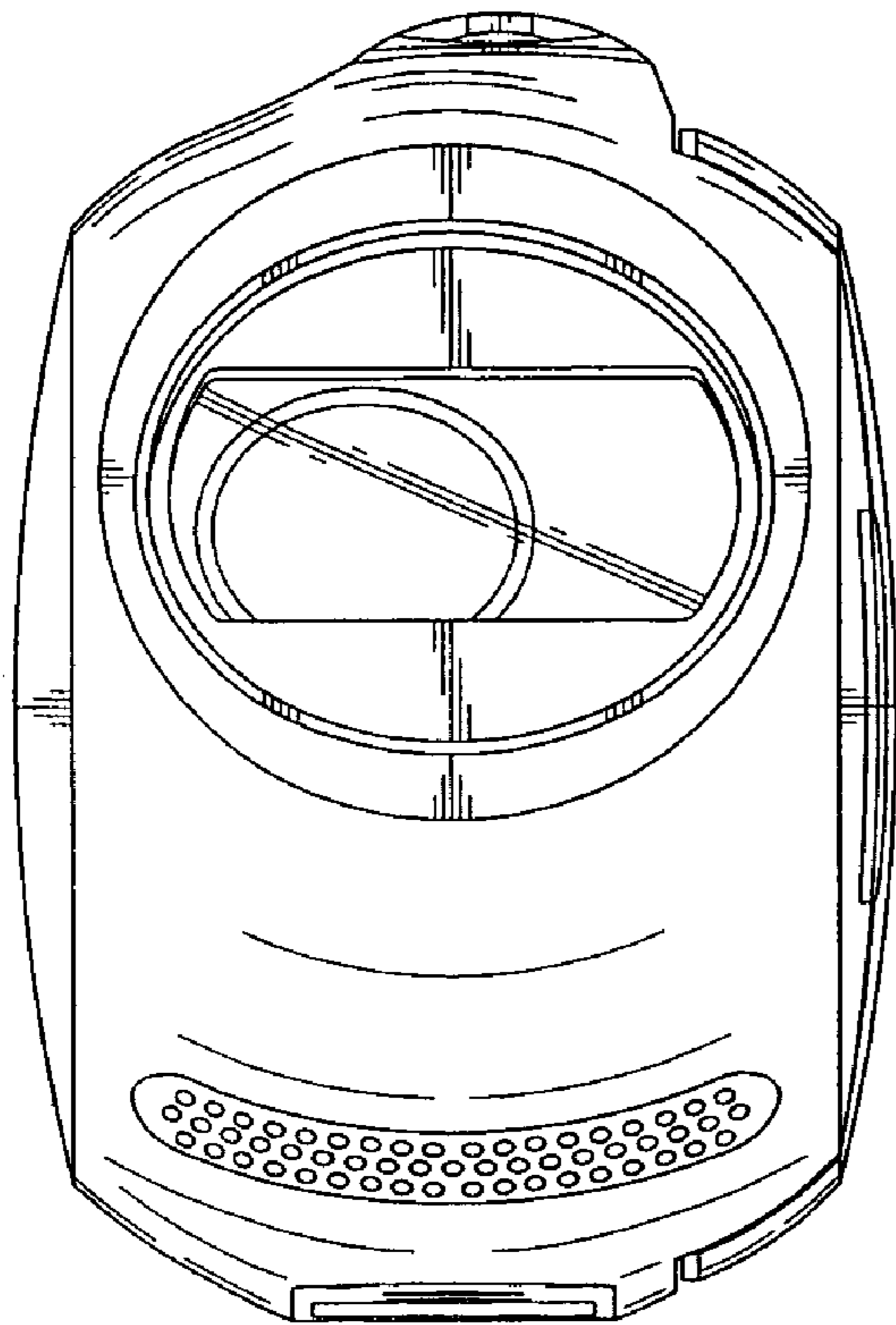


FIG. 2

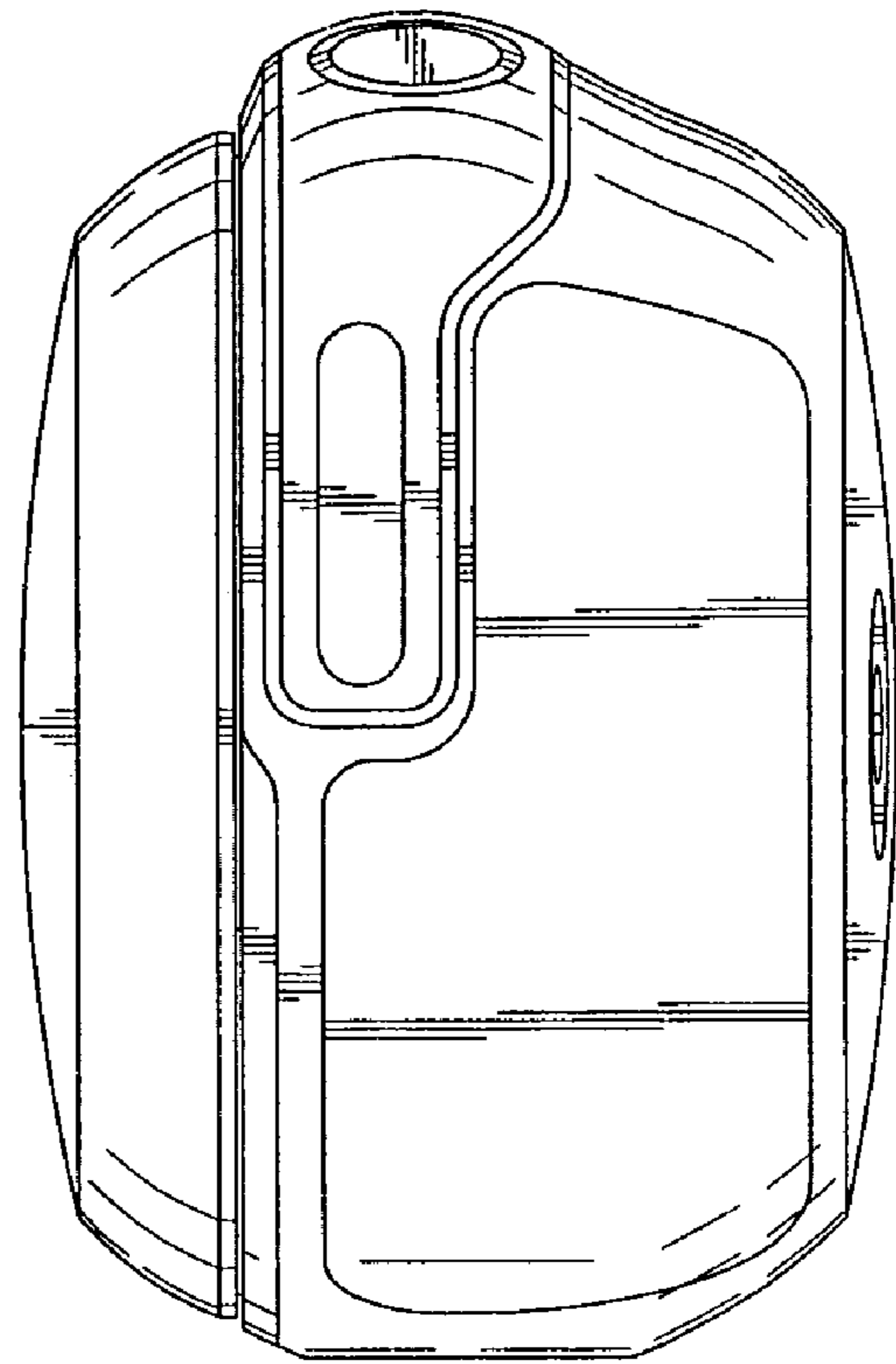


FIG. 3

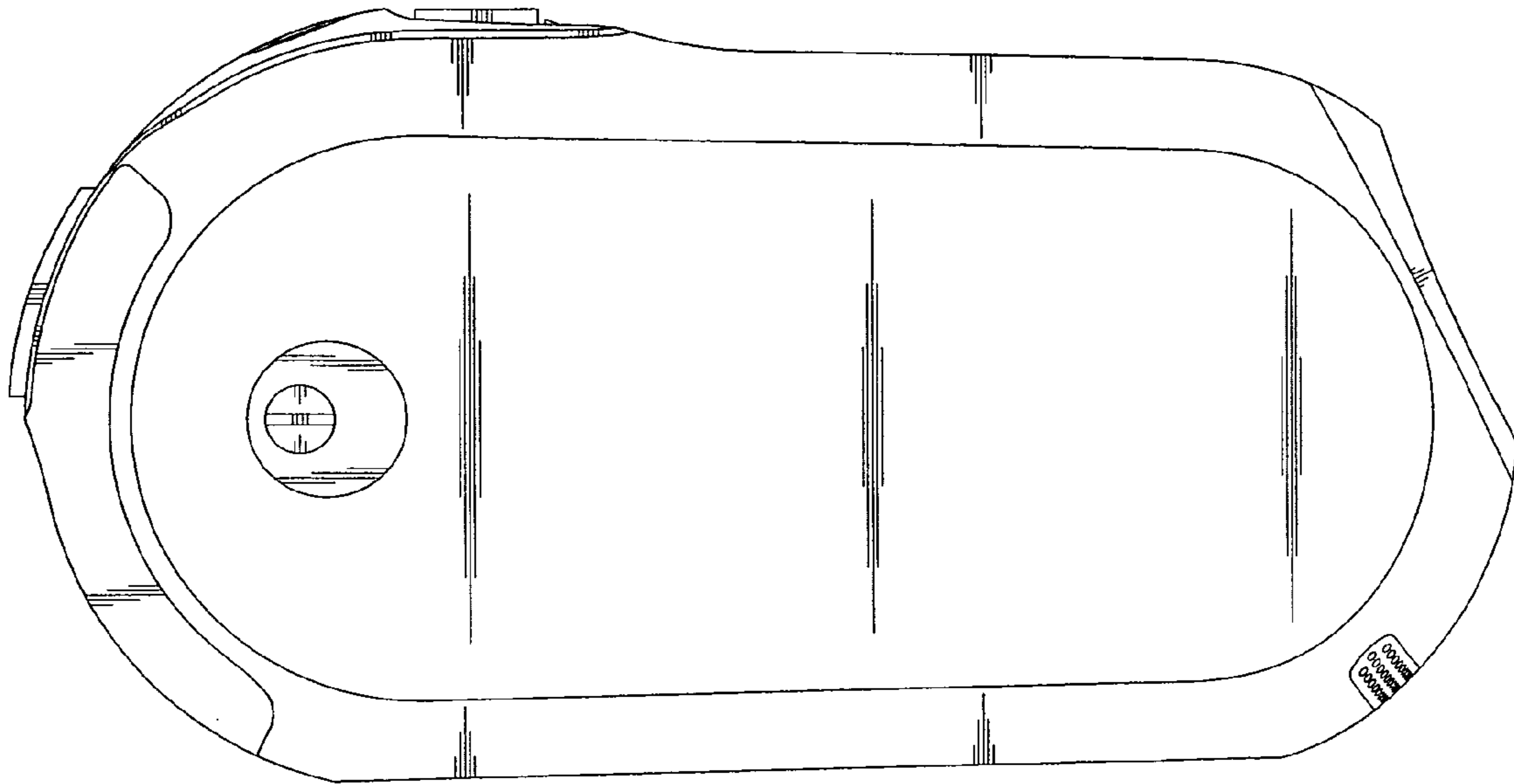


FIG. 4

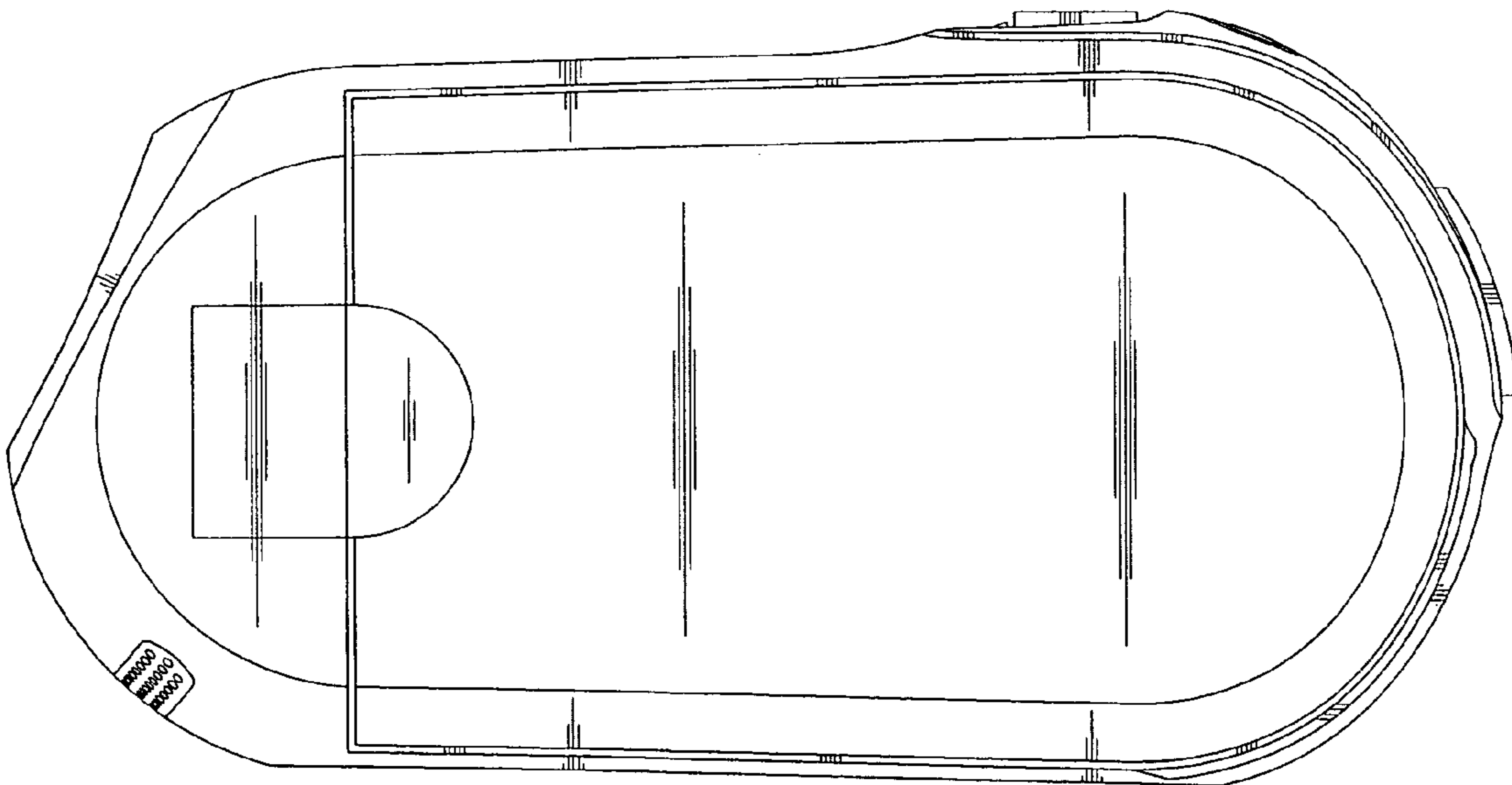


FIG. 5

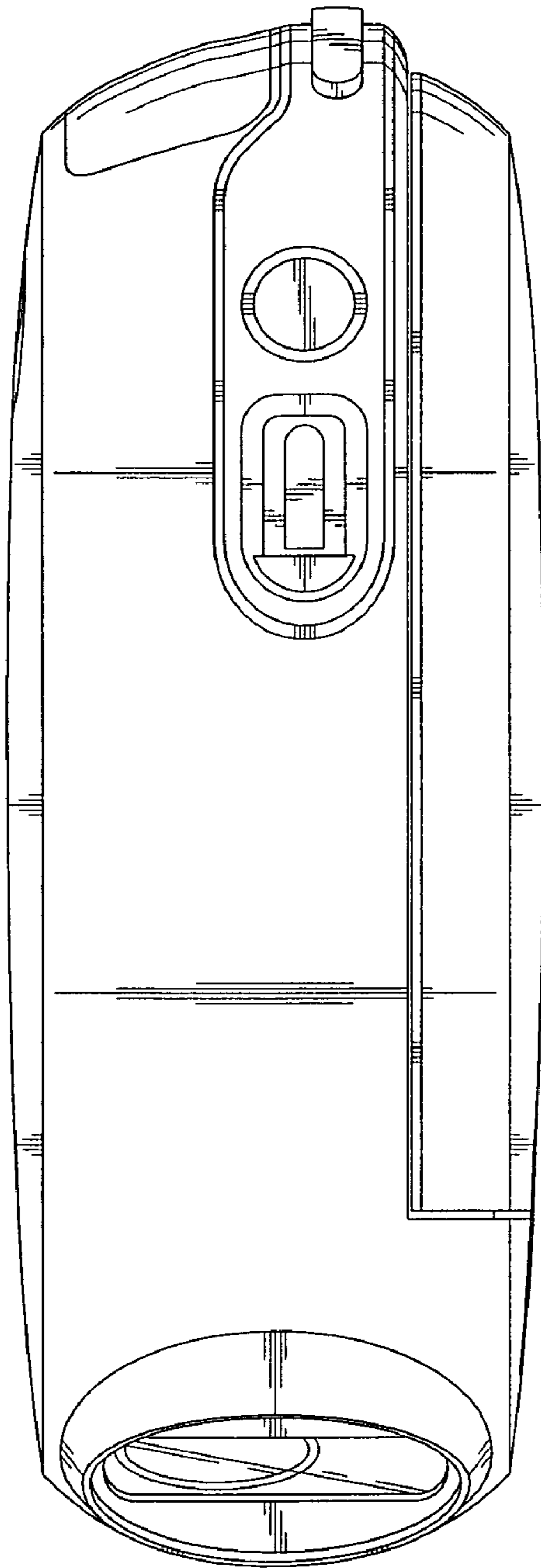


FIG. 6

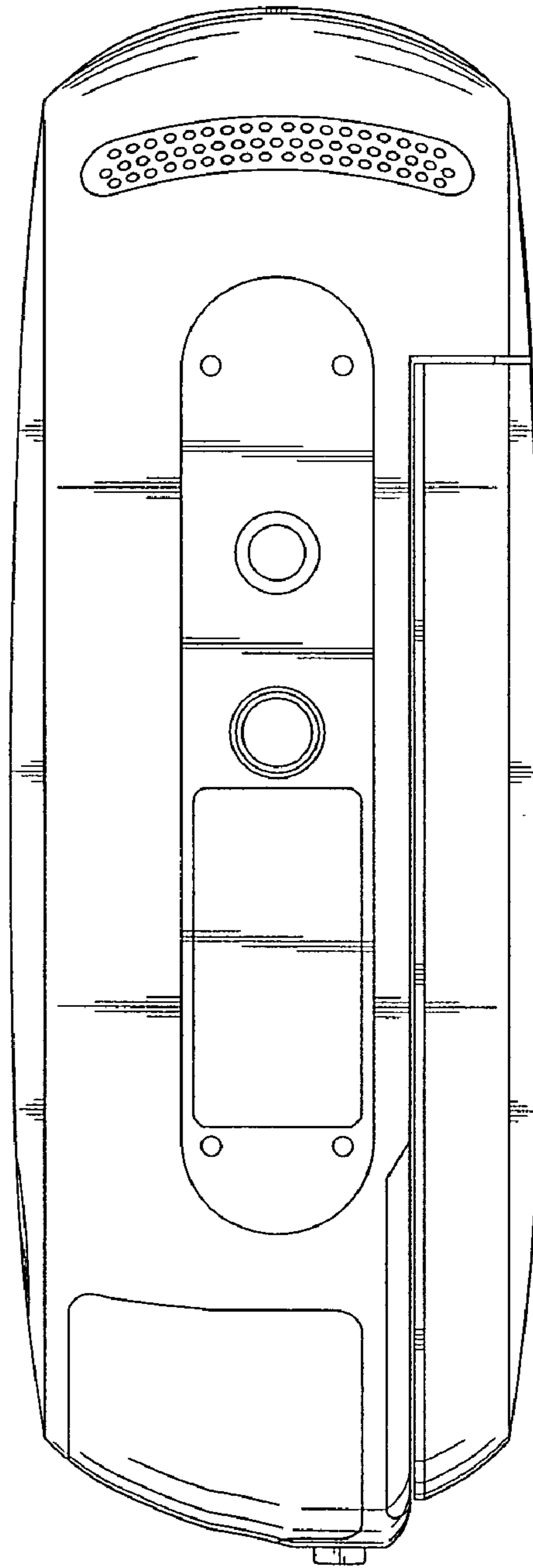


FIG. 7