



US00D614220S

(12) **United States Design Patent**
Goldenberg

(10) **Patent No.:** **US D614,220 S**
(45) **Date of Patent:** **** Apr. 20, 2010**

(54) **PORTABLE MULTI POSITION MAGNIFIER CAMERA**

(57) **CLAIM**

(75) Inventor: **Michael Goldenberg**, Melbourne Beach, FL (US)

The ornamental design for a portable multi position magnifier camera, as shown and described.

(73) Assignee: **Freedom Scientific, Inc.**, St. Petersburg, FL (US)

DESCRIPTION

(**) Term: **14 Years**

FIG. 1 is a front elevational view of a portable multiple position magnifier camera of the present invention shown in the reading orientation;

(21) Appl. No.: **29/324,855**

FIG. 2 is a rear elevational view of the portable multi position magnifier camera of the present invention in the reading orientation;

(22) Filed: **Sep. 22, 2008**

FIG. 3 is a left hand side elevational view of the portable multi position magnifier camera of the present invention in the reading orientation;

(51) **LOC (9) Cl.** **16-01**

(52) **U.S. Cl.** **D16/200; D16/130**

(58) **Field of Classification Search** **D16/130, D16/200, 201, 208, 211, 219; 348/63, 333.06, 348/333.07, 373; 359/802; 396/535-541**
See application file for complete search history.

FIG. 4 is a right hand side elevation view of the portable multi position magnifier camera of the present invention in the reading orientation;

FIG. 5 is a top plan view of the portable multi position magnifier camera of the present invention in the reading orientation;

(56) **References Cited**

U.S. PATENT DOCUMENTS

D454,146 S *	3/2002	Mori	D16/211
D488,440 S *	4/2004	Senda	D16/219
D503,944 S *	4/2005	Adachi et al.	D16/130
7,170,557 B2 *	1/2007	Manico et al.	348/373
7,172,305 B2 *	2/2007	Rodriguez et al.	359/802
7,295,244 B2 *	11/2007	Manico et al.	348/373
7,336,295 B2 *	2/2008	Sukenari et al.	348/63

FIG. 6 is a bottom plan view of the portable multi position magnifier camera of the present invention in the reading orientation;

FIG. 7 is a perspective view of the portable multi position magnifier camera of the present invention in the reading orientation;

FIG. 8 is a perspective view of the portable multi position magnifier camera of the present invention in a closed orientation;

FIG. 9 is a perspective view of the portable multi position magnifier camera of the present invention in a writing configuration; and,

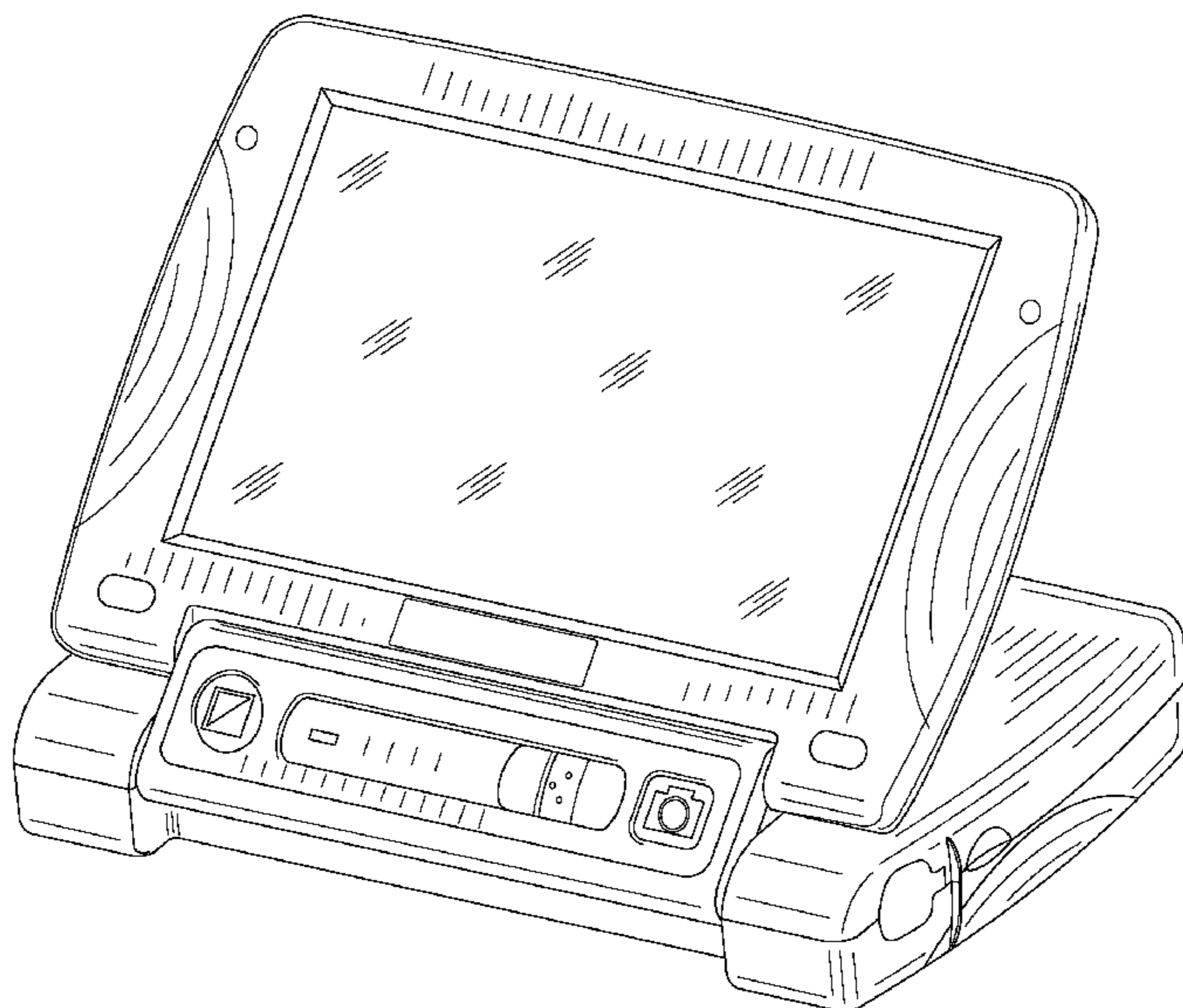
FIG. 10 is a perspective view of the portable multi position magnifier camera of the present invention in a hand held configuration.

* cited by examiner

Primary Examiner—Adir Aronovich

(74) *Attorney, Agent, or Firm*—GrayRobinson, P.A.

1 Claim, 7 Drawing Sheets



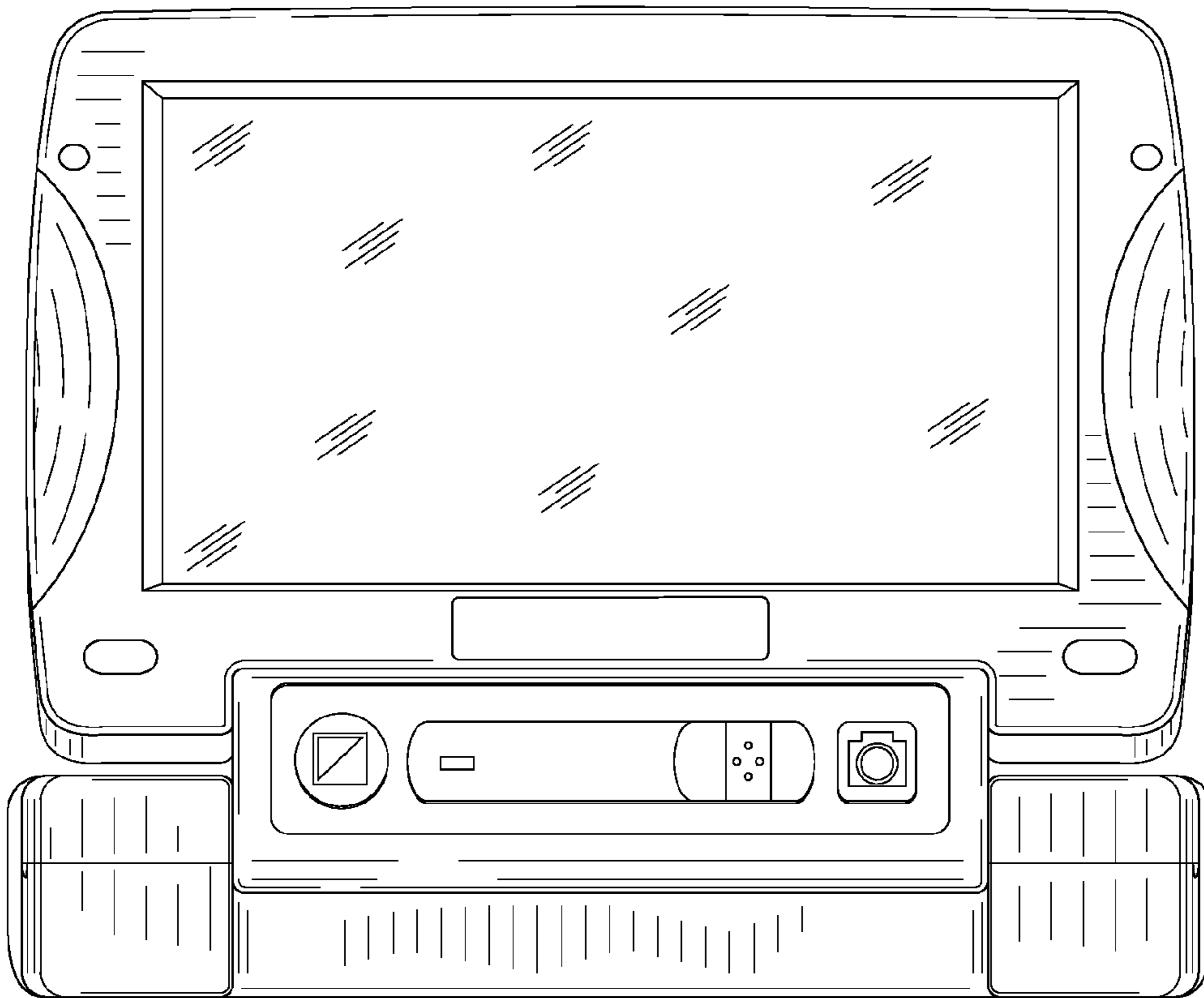


FIG. 1

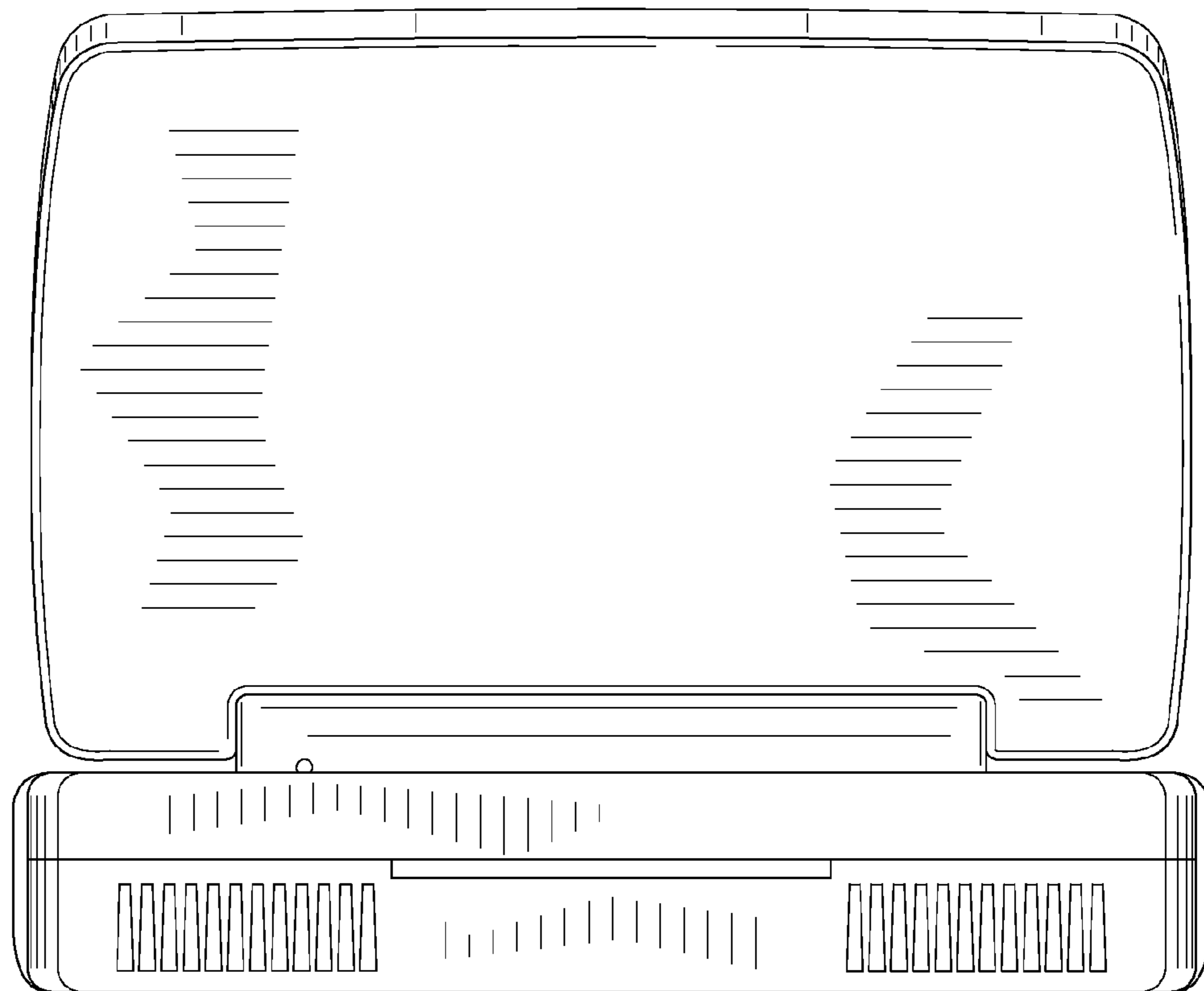
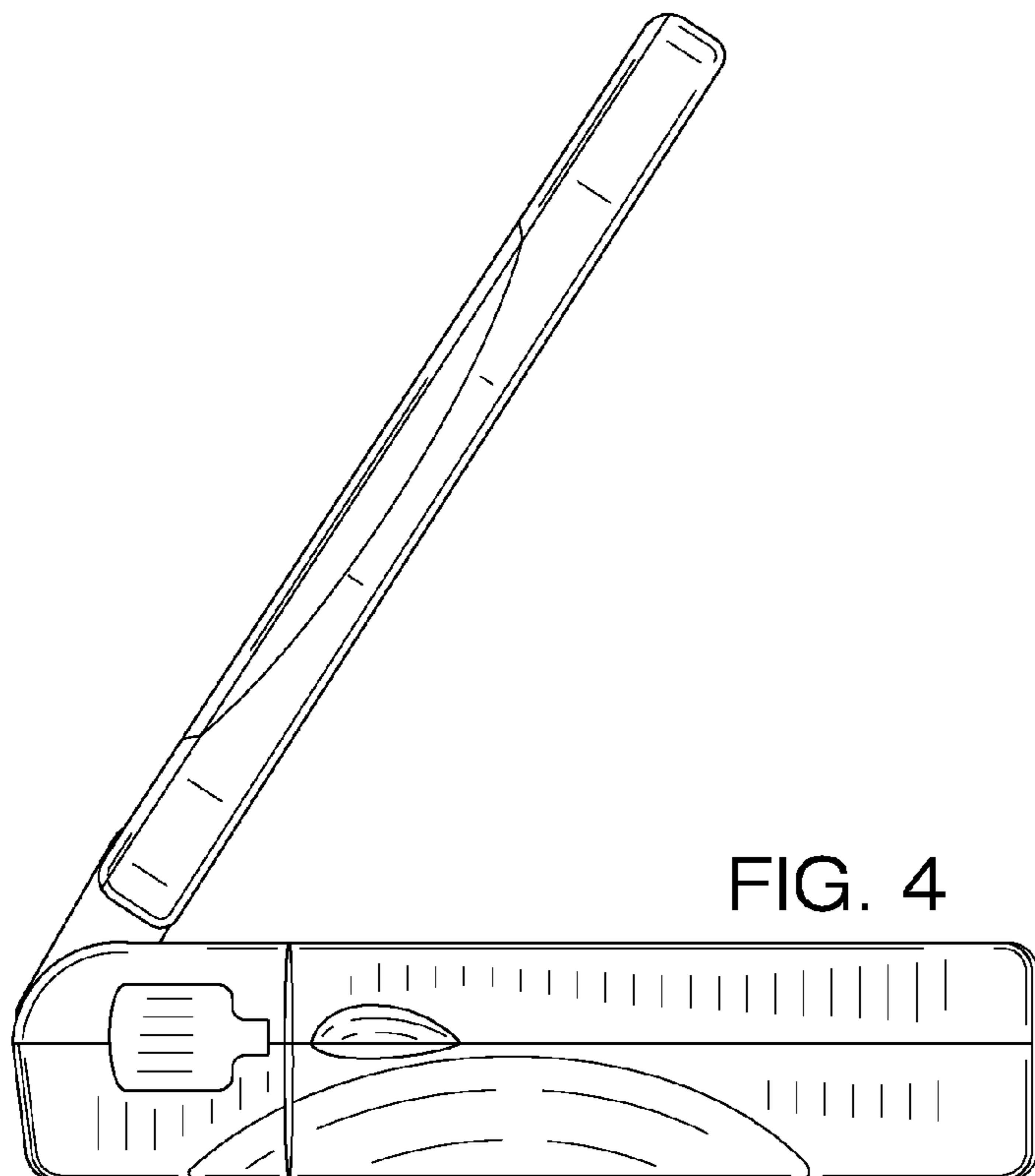
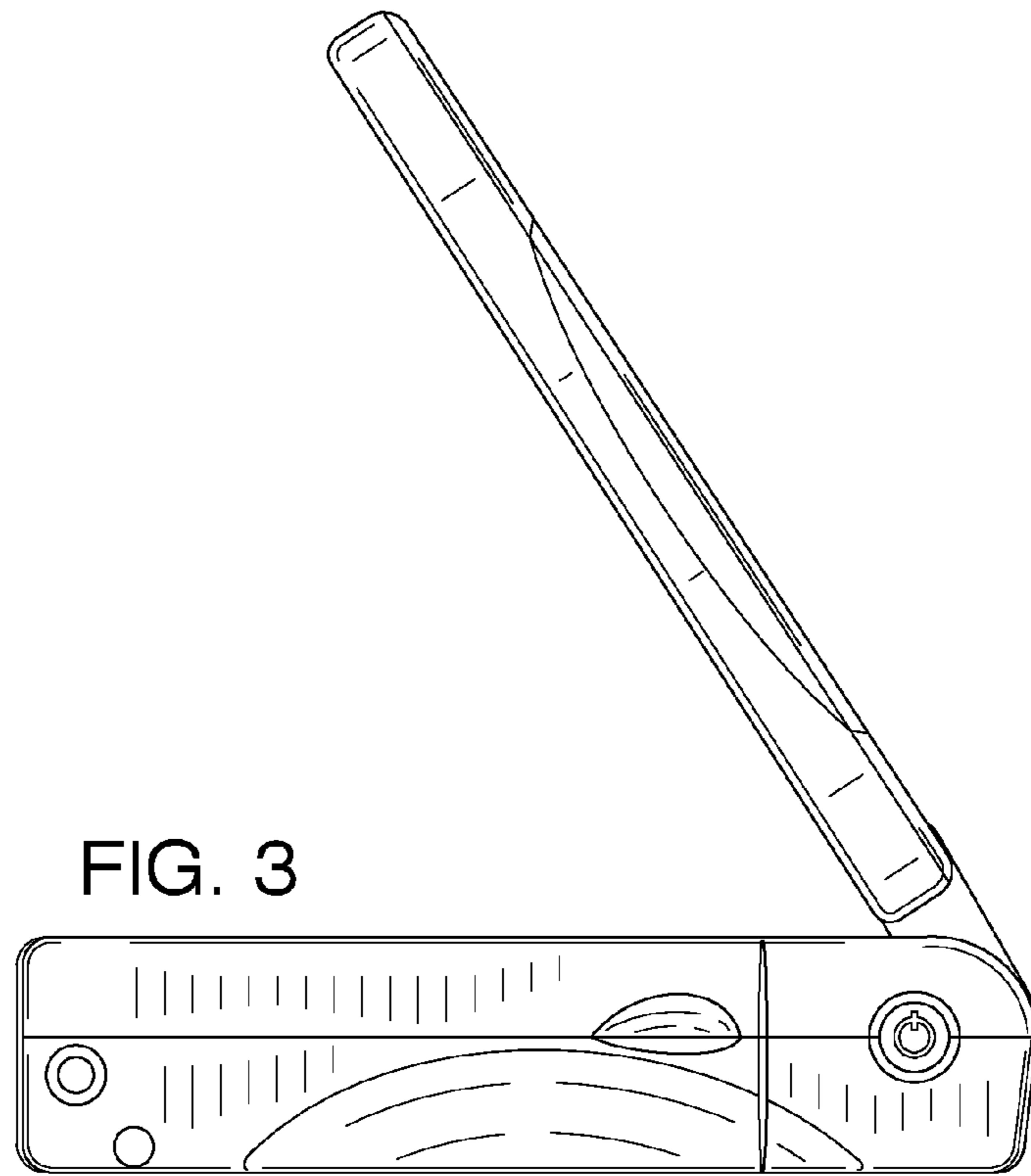


FIG. 2



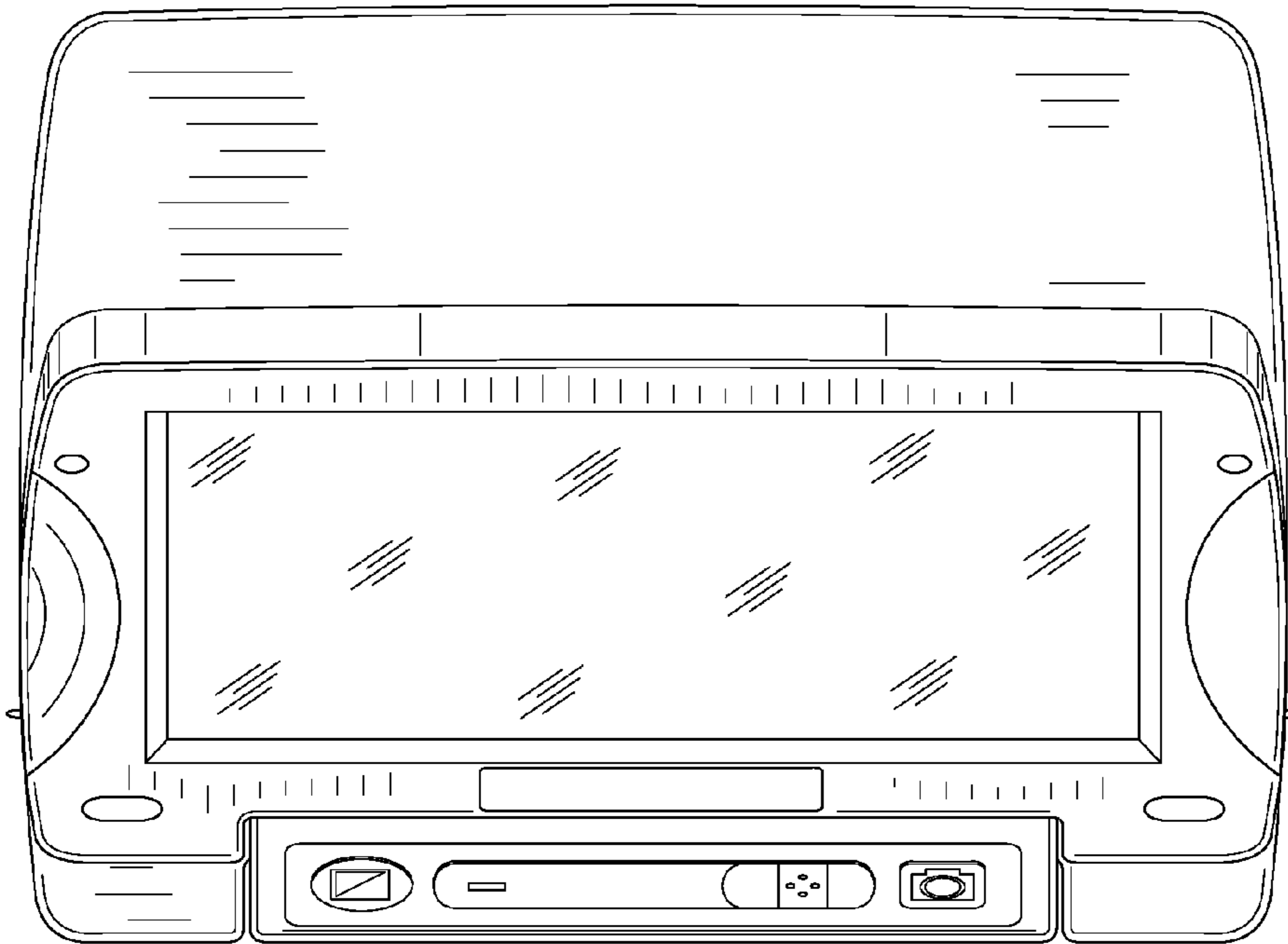
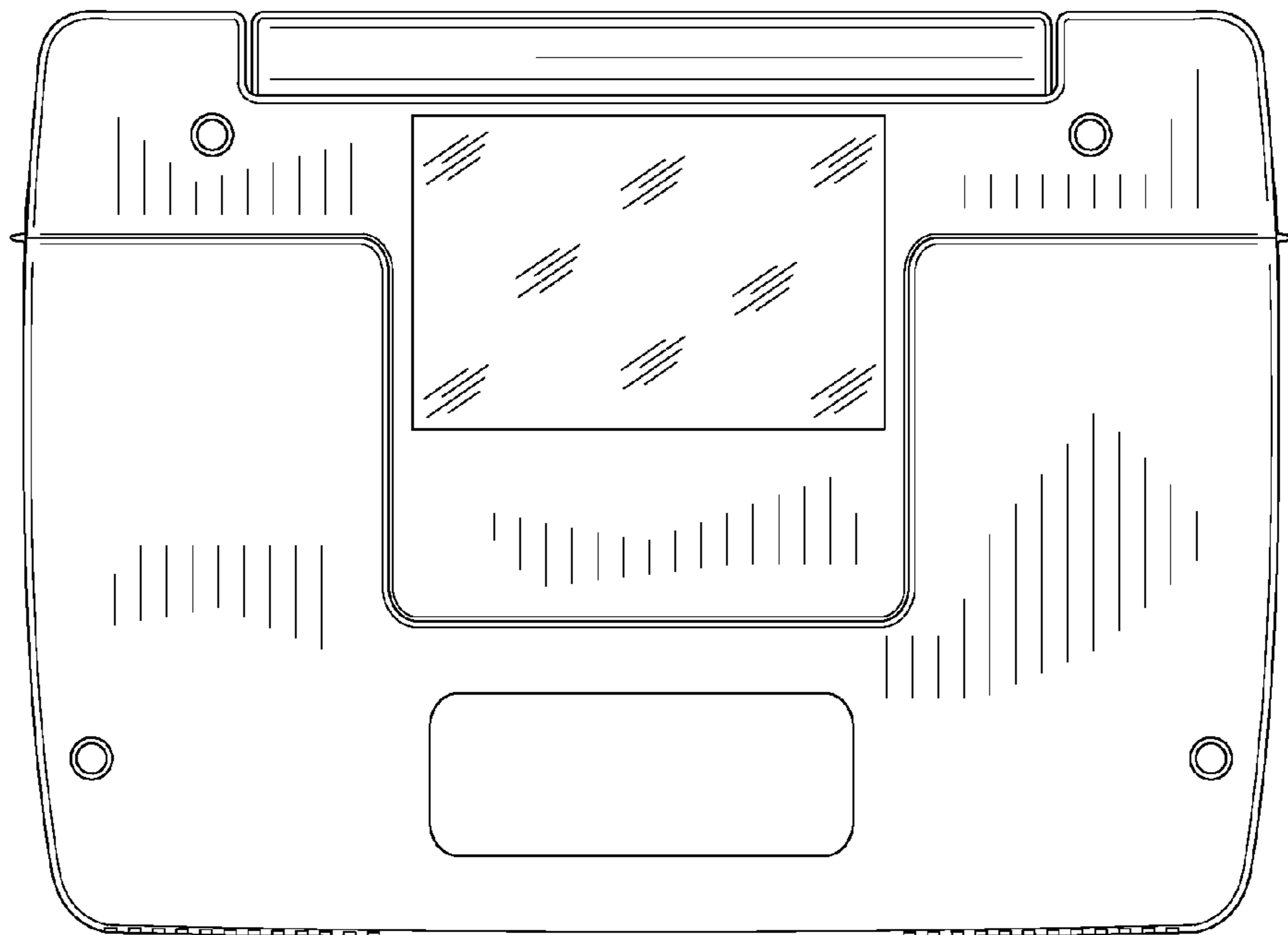


FIG. 5

FIG. 6



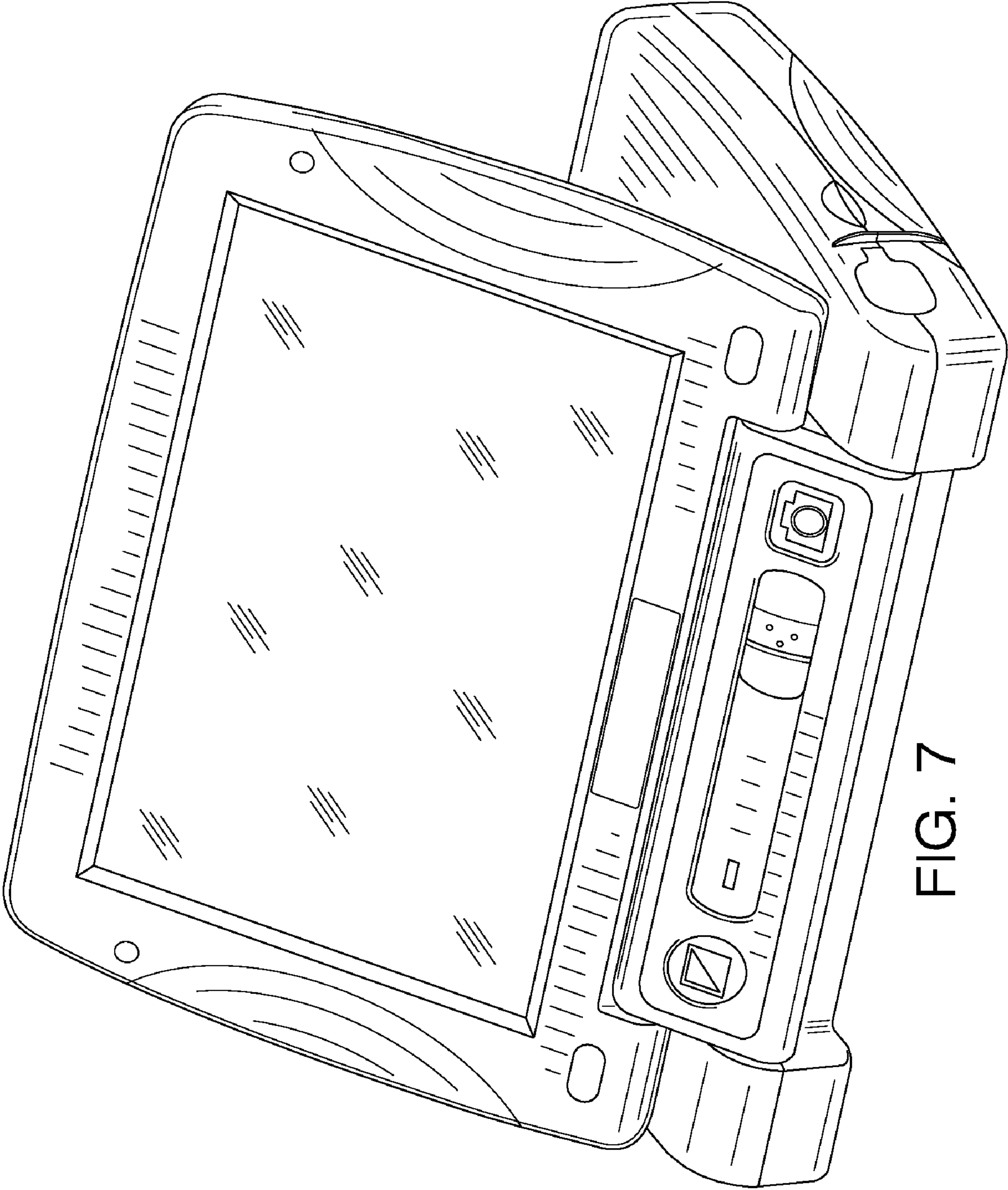


FIG. 7

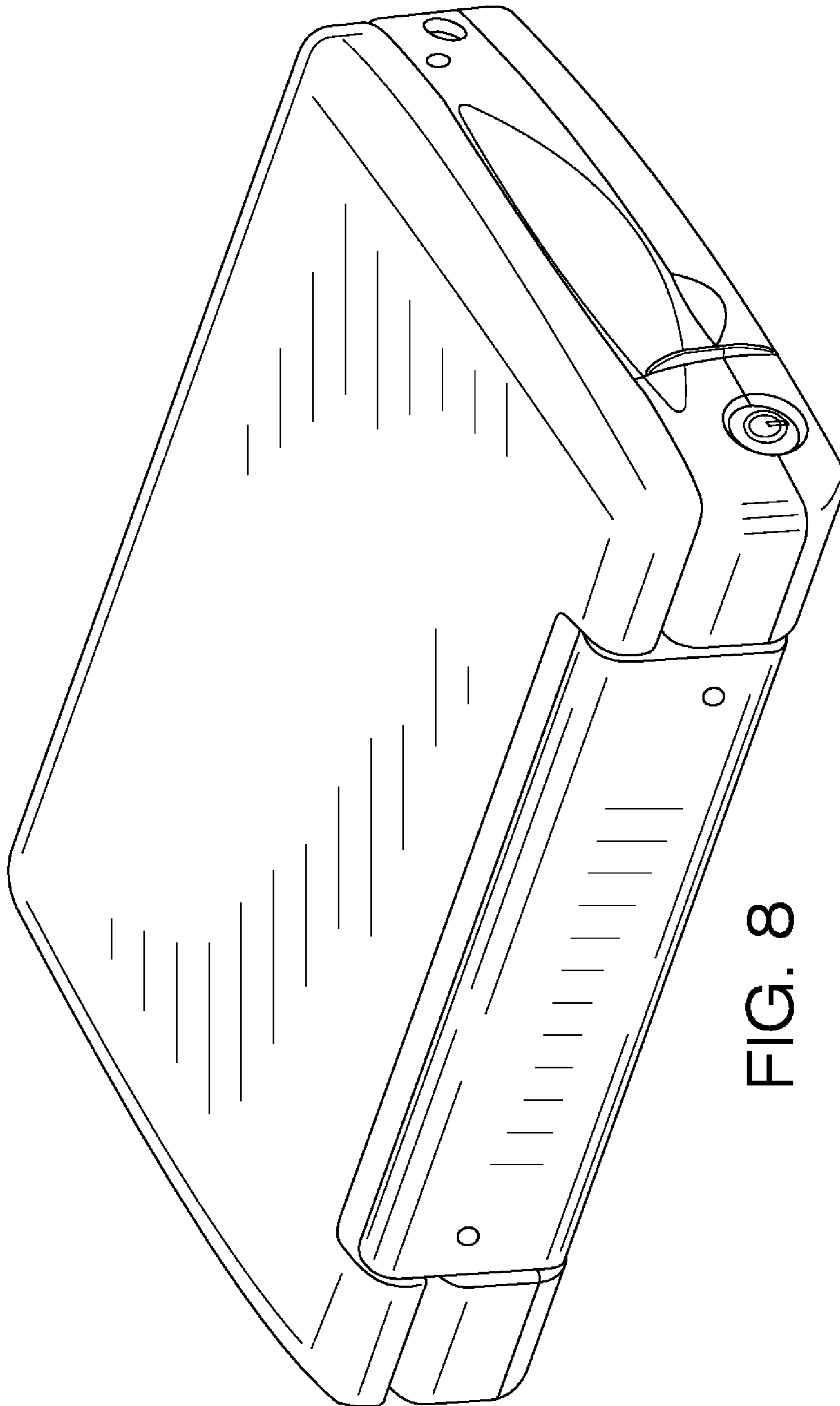


FIG. 8

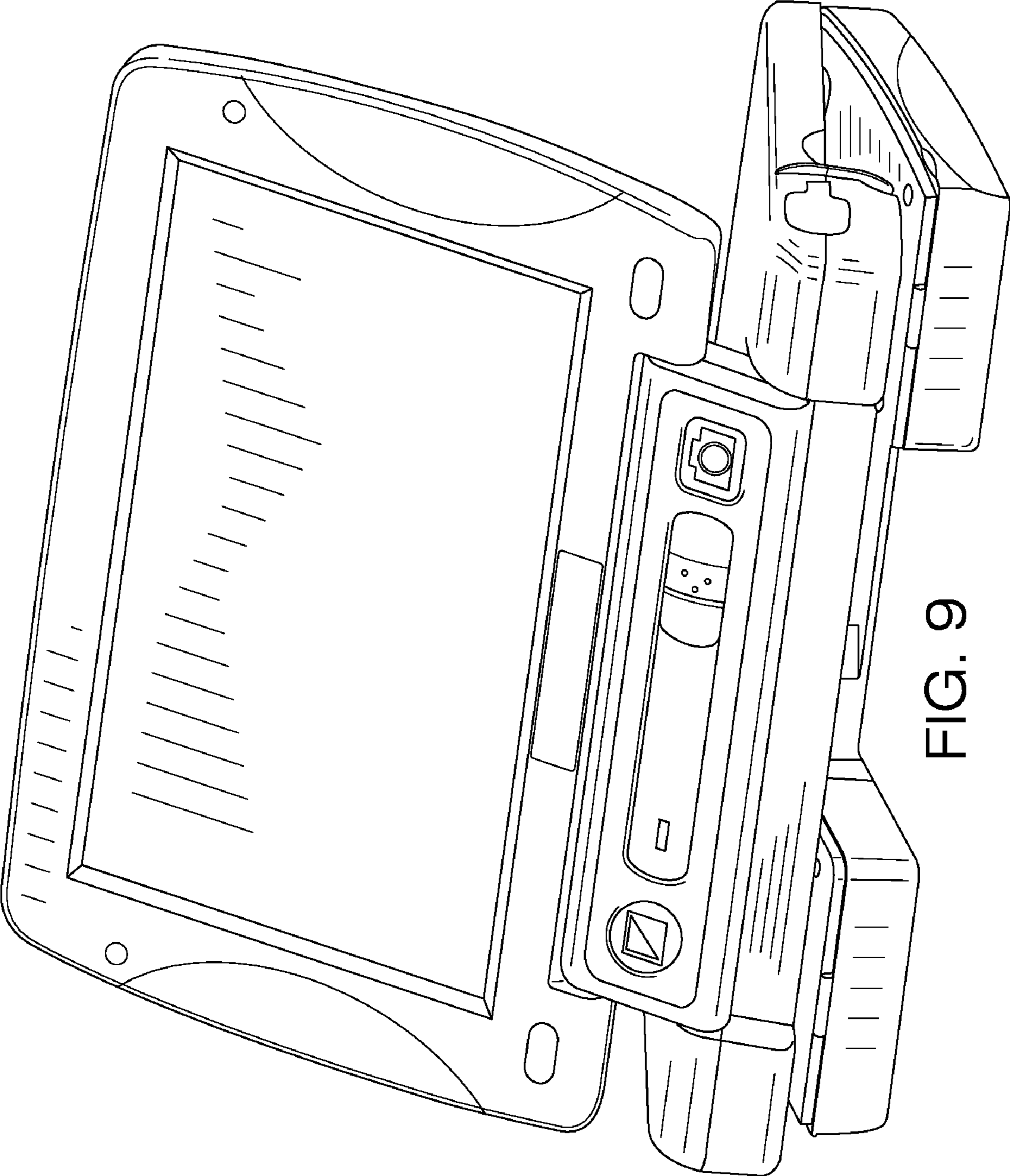


FIG. 9

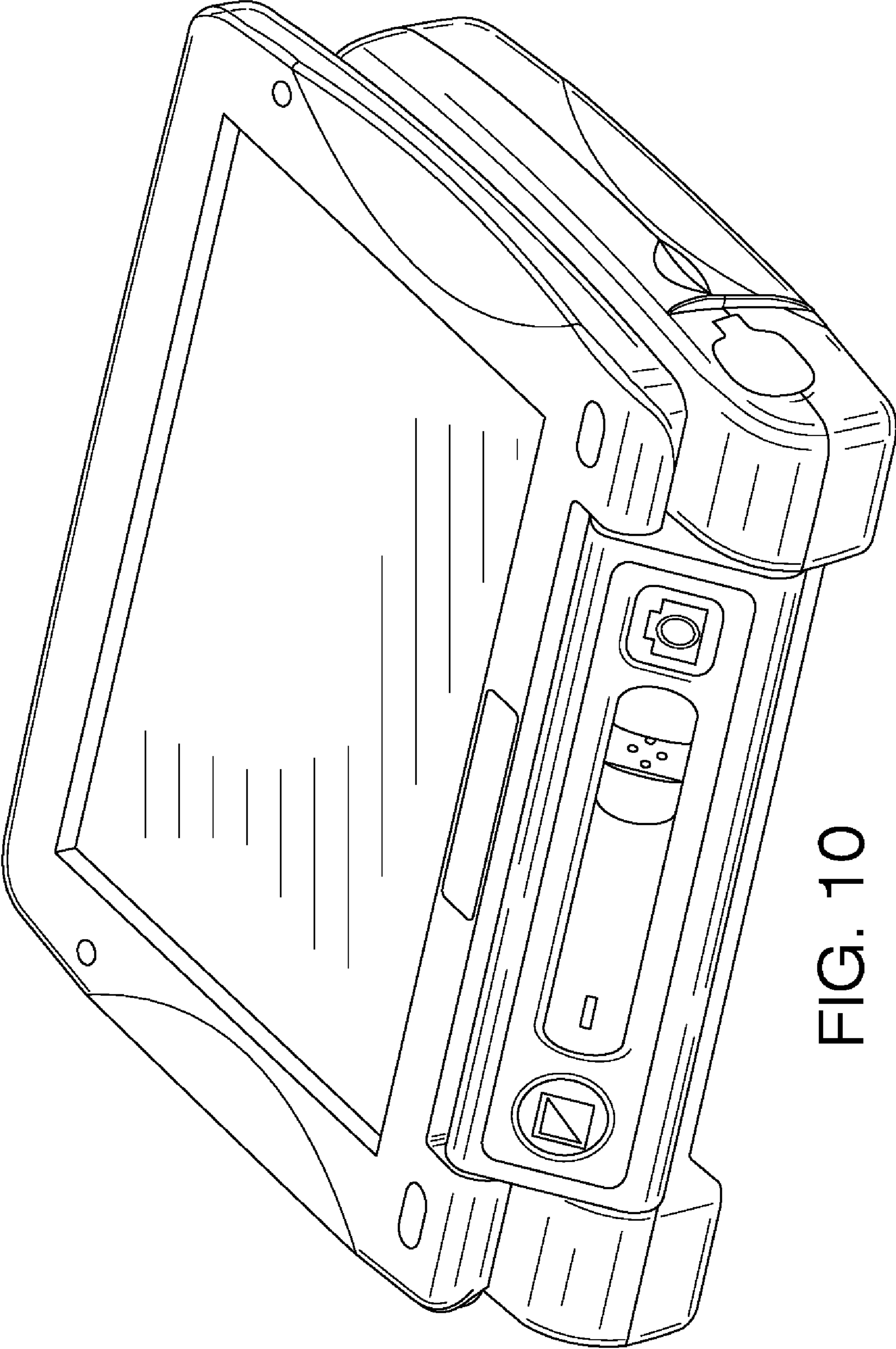


FIG. 10