



US00D614218S

(12) **United States Design Patent**
Ominato et al.

(10) **Patent No.:** **US D614,218 S**
(45) **Date of Patent:** **** Apr. 20, 2010**

(54) **LED LENS**

(75) Inventors: **Hiroyuki Ominato**, Nagoya (JP);
Takeshi Kitakata, Kuwana (JP);
Nobuhiko Funato, Gifu (JP); **Kenichi**
Mizuno, Nagoya (JP); **Shunsuke**
Ichizawa, Kiyose (JP)

(73) Assignee: **Brother Industries, Ltd.**, Nagoya (JP)

(**) Term: **14 Years**

(21) Appl. No.: **29/334,037**

(22) Filed: **Mar. 19, 2009**

(30) **Foreign Application Priority Data**

Sep. 22, 2008 (JP) 2008-024209

(51) **LOC (9) Cl.** **16-06**

(52) **U.S. Cl.** **D16/134**

(58) **Field of Classification Search** D16/130,
D16/134, 135, 136, 219, 218, 220, 235, 207,
D16/210, 213, 305; D13/180, 182, 178,
D13/181, 184, 199; D26/120, 125; 362/267,
362/249; 359/453, 454, 443, 457, 653, 613,
359/19, 781, 784, 460, 456, 642; 257/98,
257/99, 93; 353/38, 81, 94

See application file for complete search history.

(56) **References Cited**

U.S. PATENT DOCUMENTS

2,313,947 A * 3/1943 Klinkum 359/454
2,800,054 A * 7/1957 Allison 353/38
3,393,034 A * 7/1968 Imai 359/593
3,615,853 A * 10/1971 Paine et al. 136/246
3,712,713 A * 1/1973 Appledom 359/613
4,934,798 A * 6/1990 Bunch 359/19
5,703,722 A * 12/1997 Blankenbecler 359/653
5,841,572 A * 11/1998 Ando et al. 359/454
6,256,153 B1 * 7/2001 Suzui 359/642

6,304,378 B1 * 10/2001 Clausen 359/456
6,407,860 B1 * 6/2002 Funazaki et al. 359/457
D491,899 S * 6/2004 Yagi D13/180
6,870,674 B2 * 3/2005 Ookawa et al. 359/455
7,021,765 B2 * 4/2006 Koide 353/20
7,102,820 B2 * 9/2006 Peterson et al. 359/457
7,282,746 B2 * 10/2007 Lee et al. 257/94
D559,432 S * 1/2008 Moriyama et al. D26/120
7,458,703 B2 * 12/2008 Han et al. 362/267
7,547,923 B2 * 6/2009 Shin et al. 257/99

* cited by examiner

Primary Examiner—Paula Greene

(74) *Attorney, Agent, or Firm*—Oliff & Berridge, PLC

(57) **CLAIM**

The ornamental design for a LED lens, as shown and described.

DESCRIPTION

FIG. 1 is a perspective view of a LED lens;

FIG. 2 is a front view thereof;

FIG. 3 is a top view thereof;

FIG. 4 is a right-side view thereof;

FIG. 5 is a left-side view thereof;

FIG. 6 is a rear view thereof;

FIG. 7 is a bottom view thereof;

FIG. 8 is another perspective view thereof;

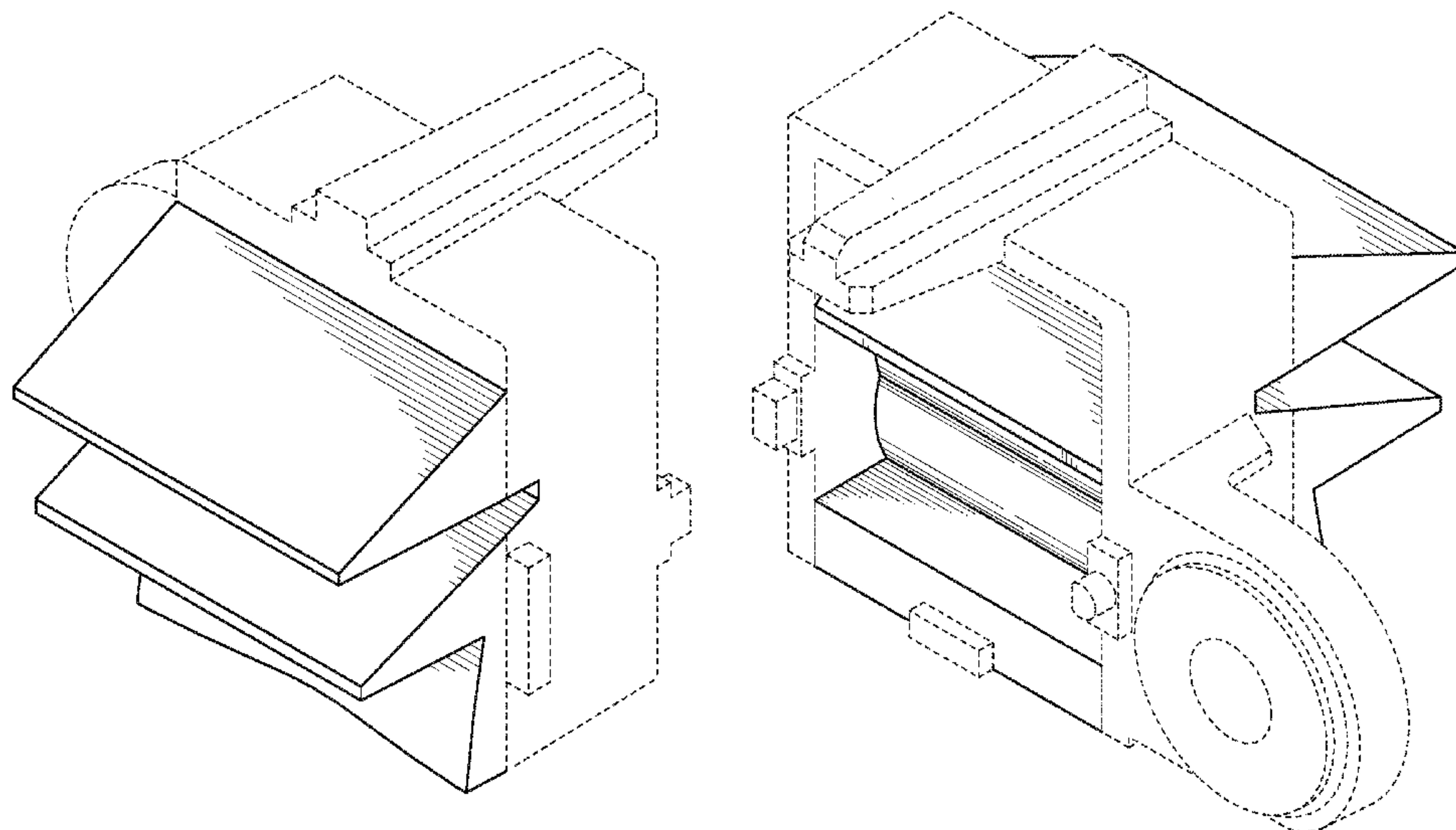
FIG. 9 is a cross-sectional view thereof taken along the line 9—9 of FIG. 2; and,

FIG. 10 is a cross-sectional view thereof taken along the line 10—10 of FIG. 2.

The broken lines depict environmental subject matter only and form no part of the claimed design.

The dot-chain lines illustrate a border of the claimed subject matter and form no part of the claimed design.

1 Claim, 10 Drawing Sheets



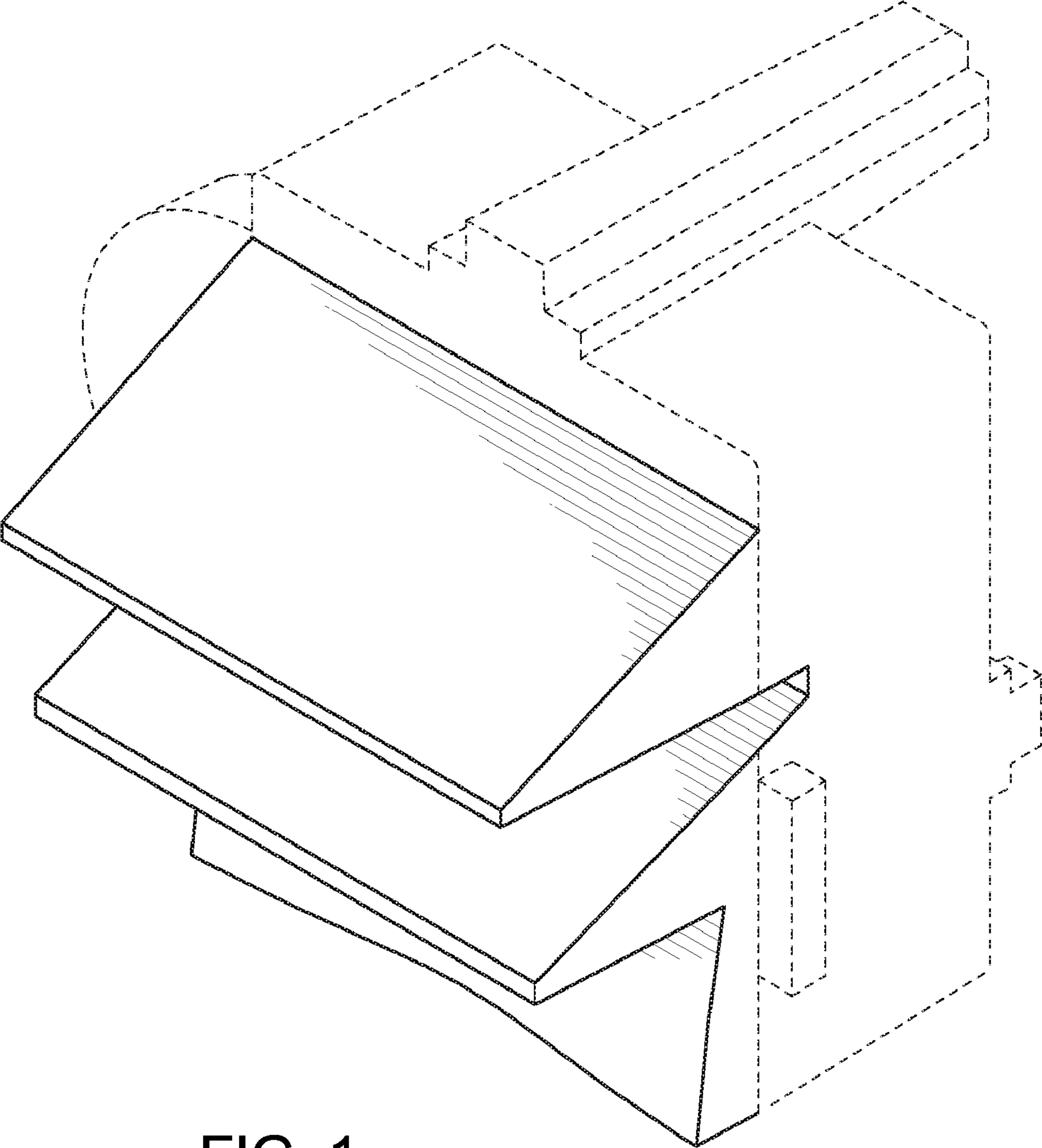


FIG. 1

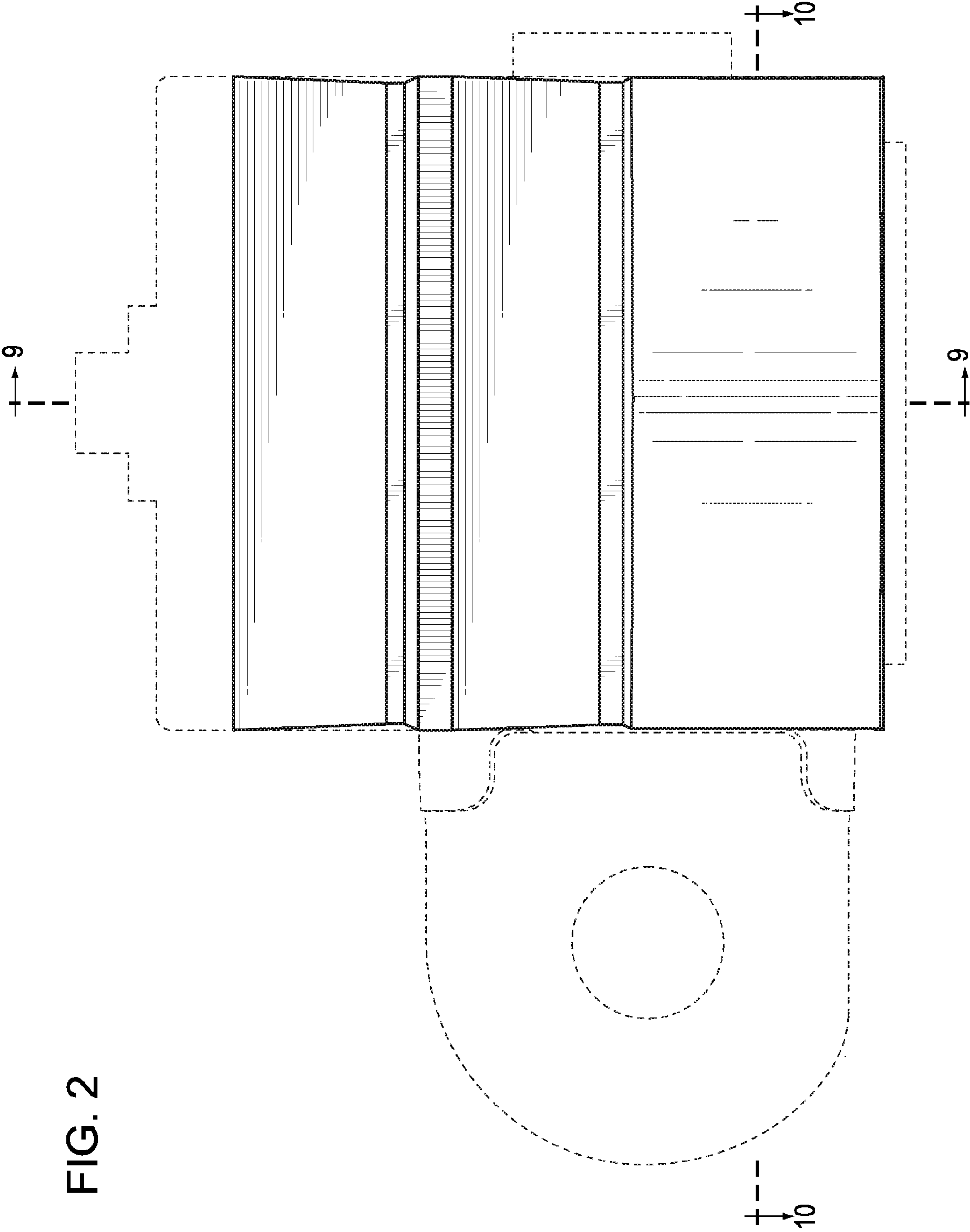


FIG. 2

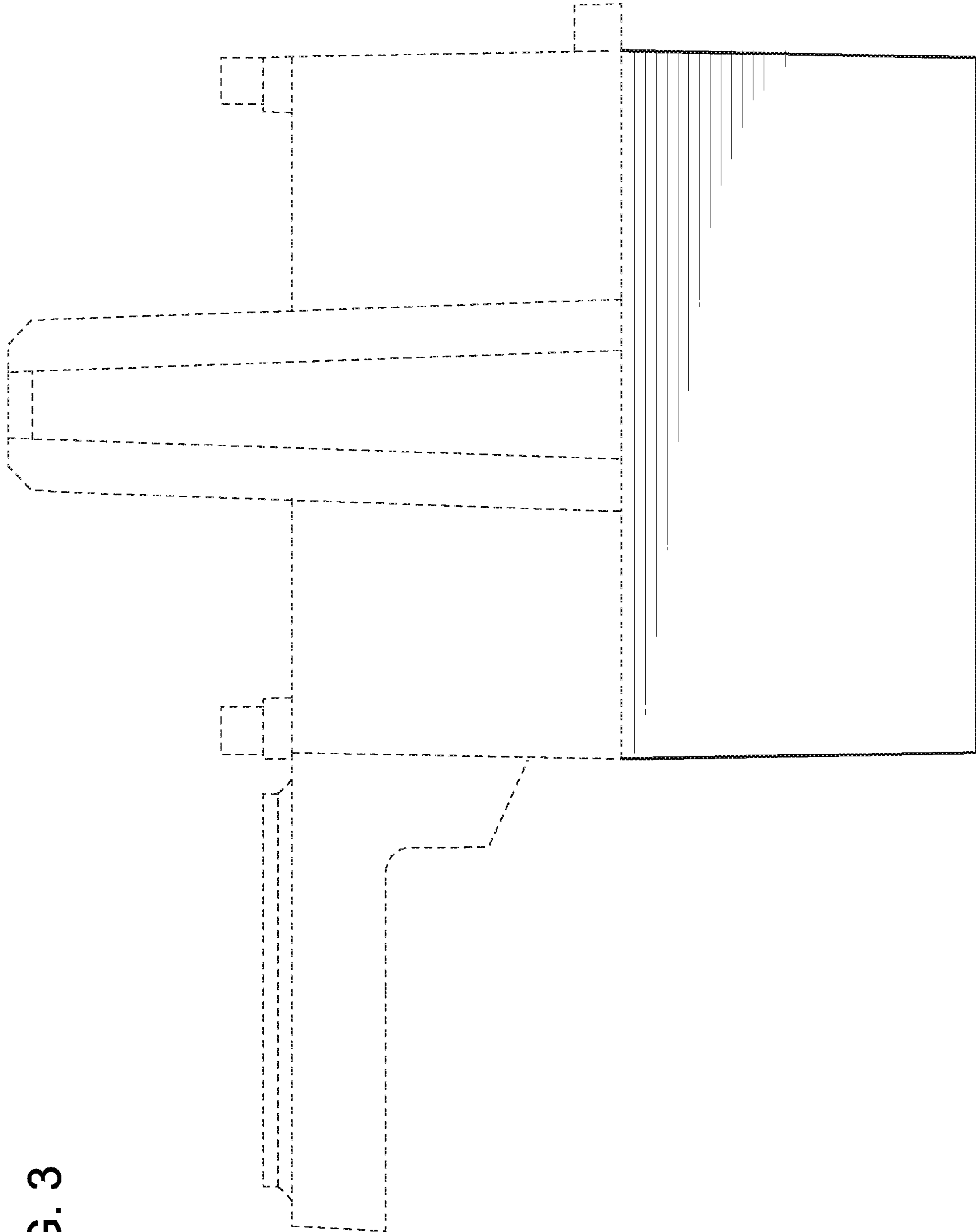


FIG. 3

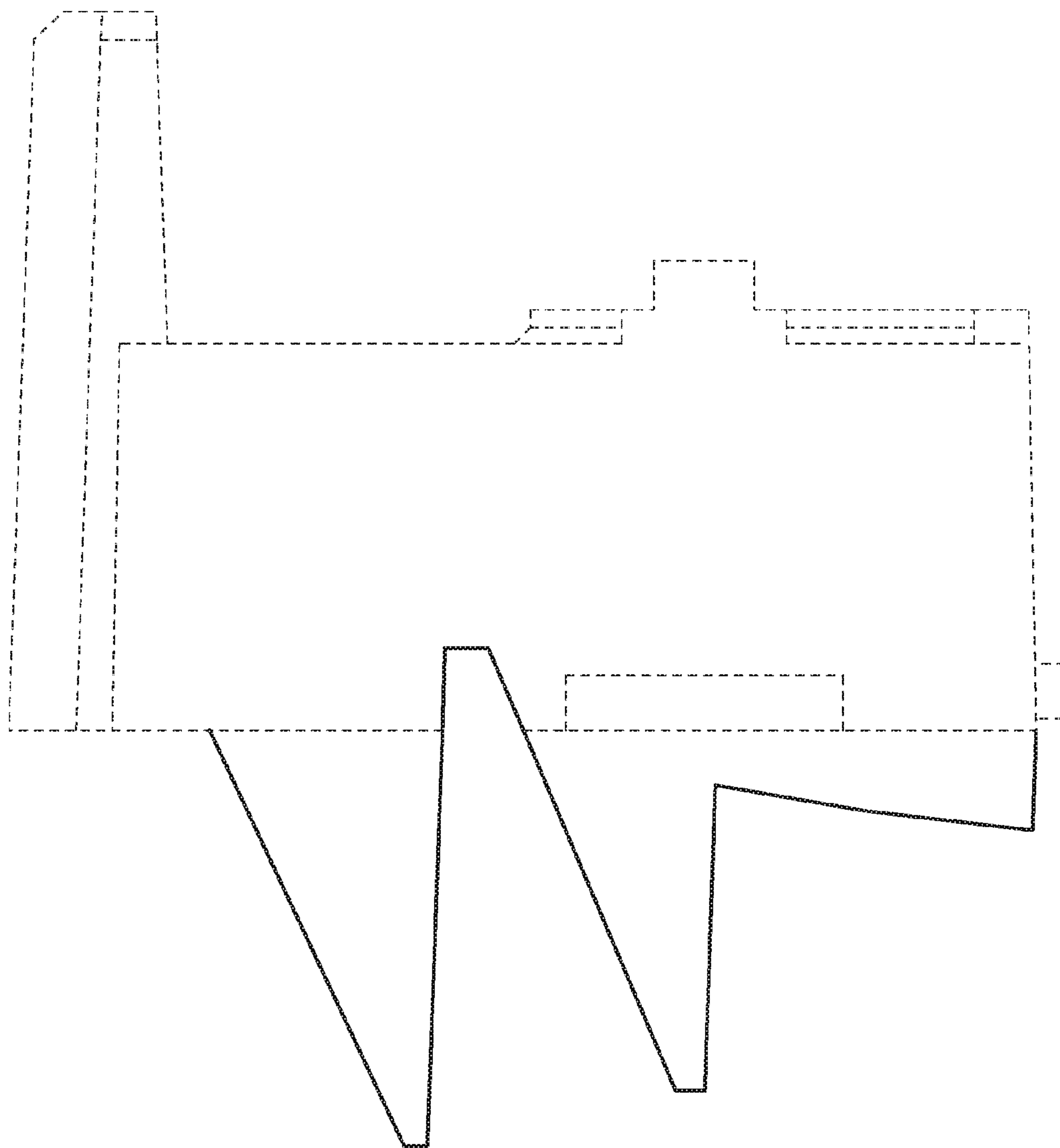


FIG. 4

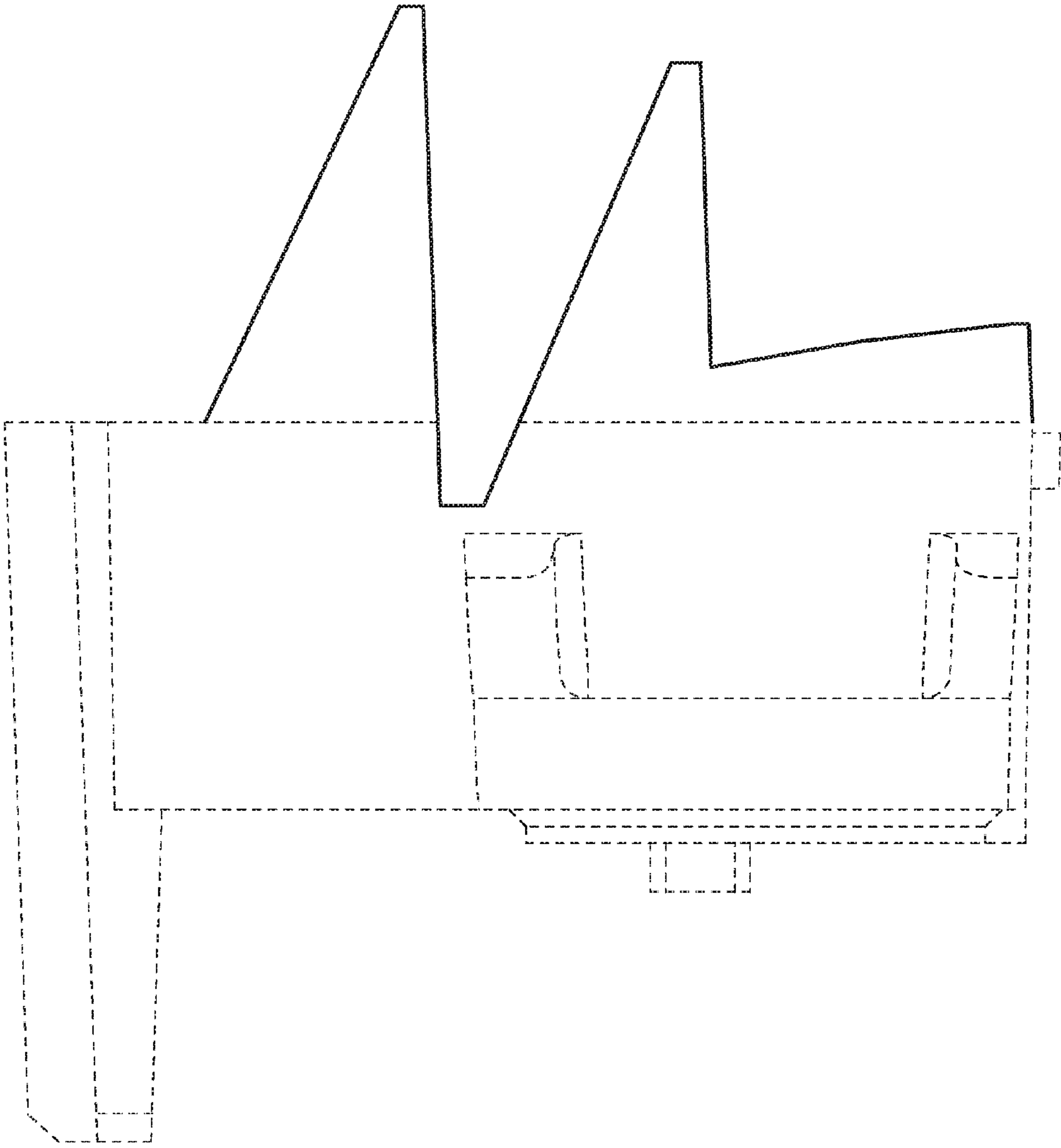


FIG. 5

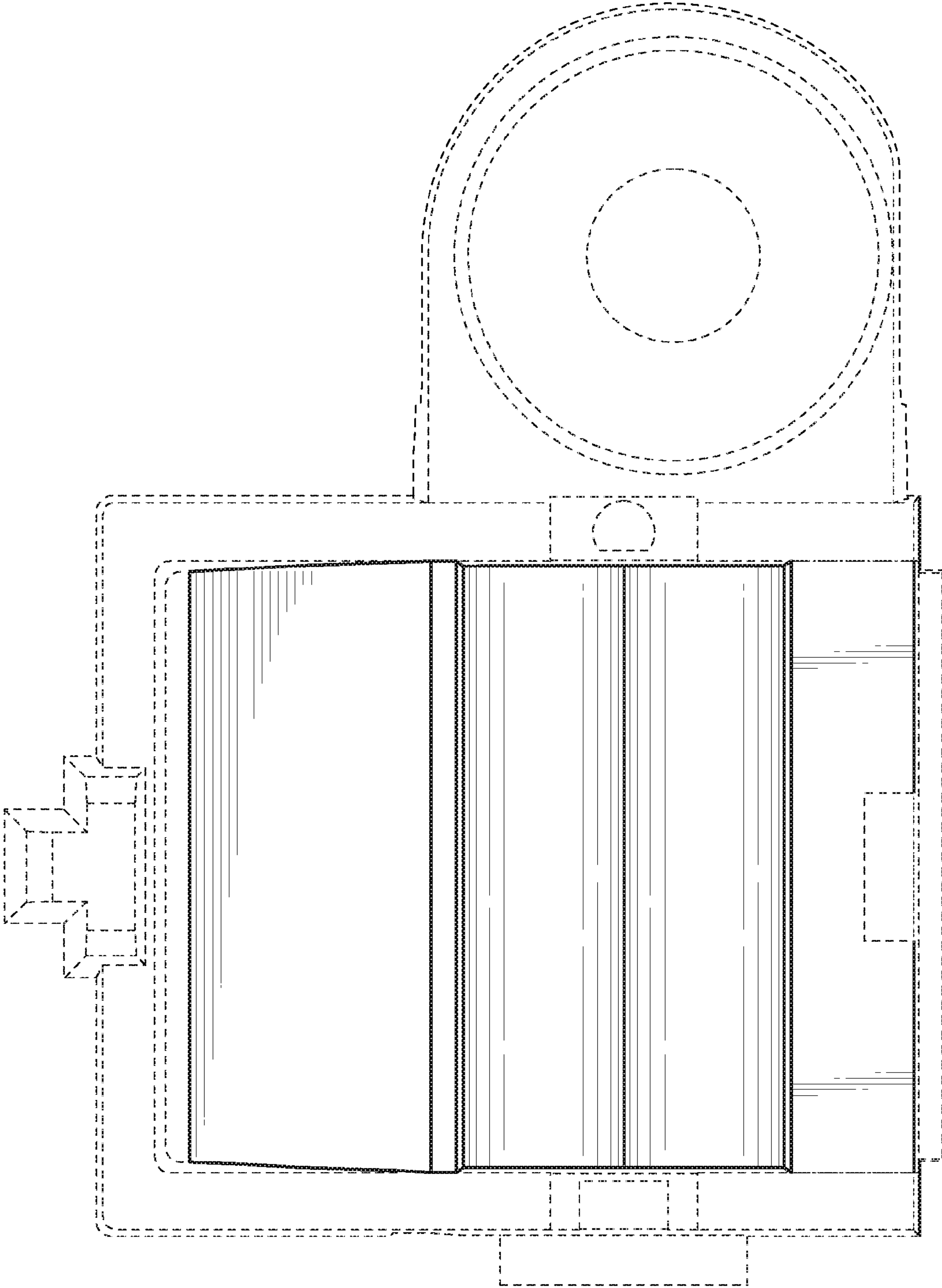


FIG. 6

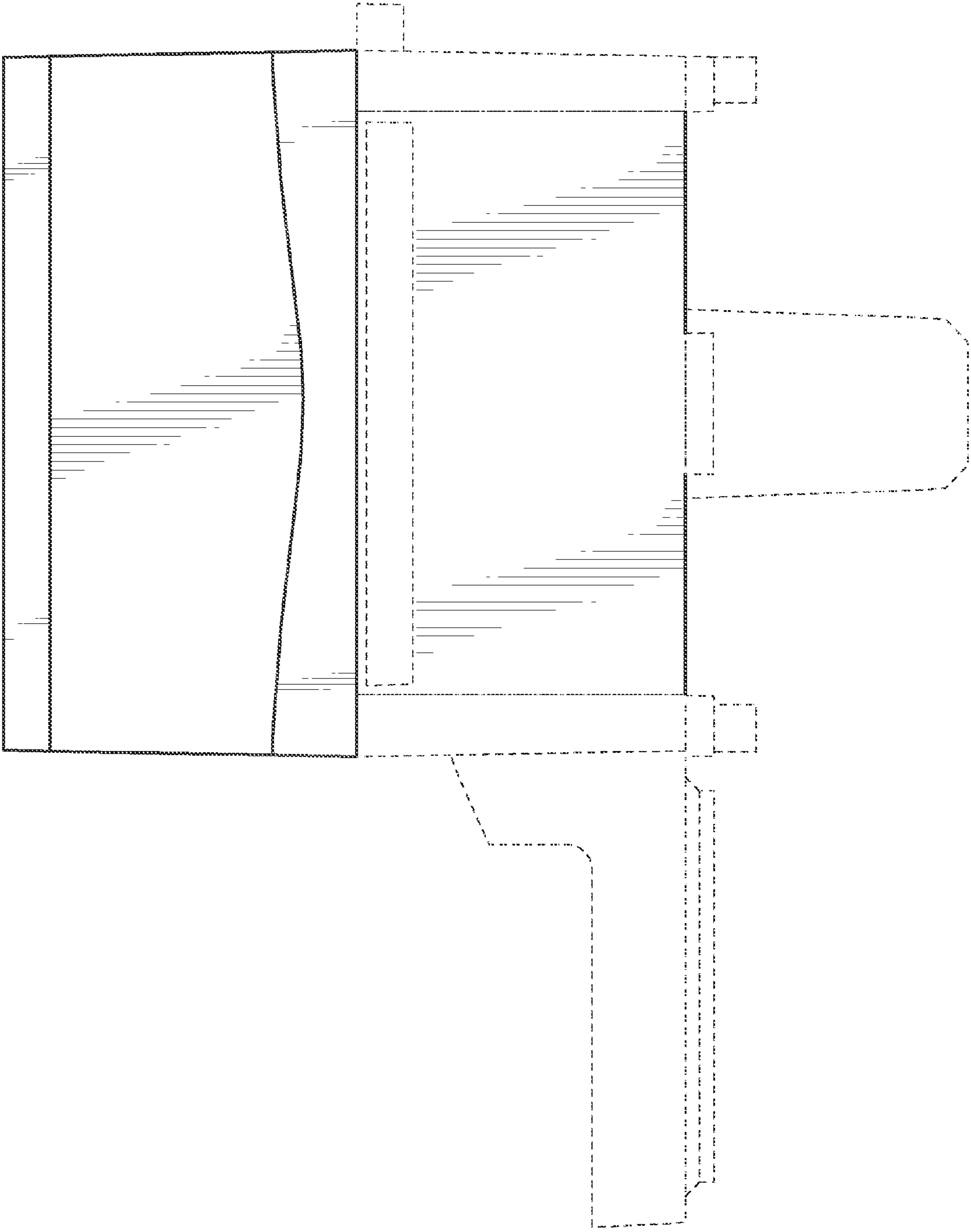


FIG. 7

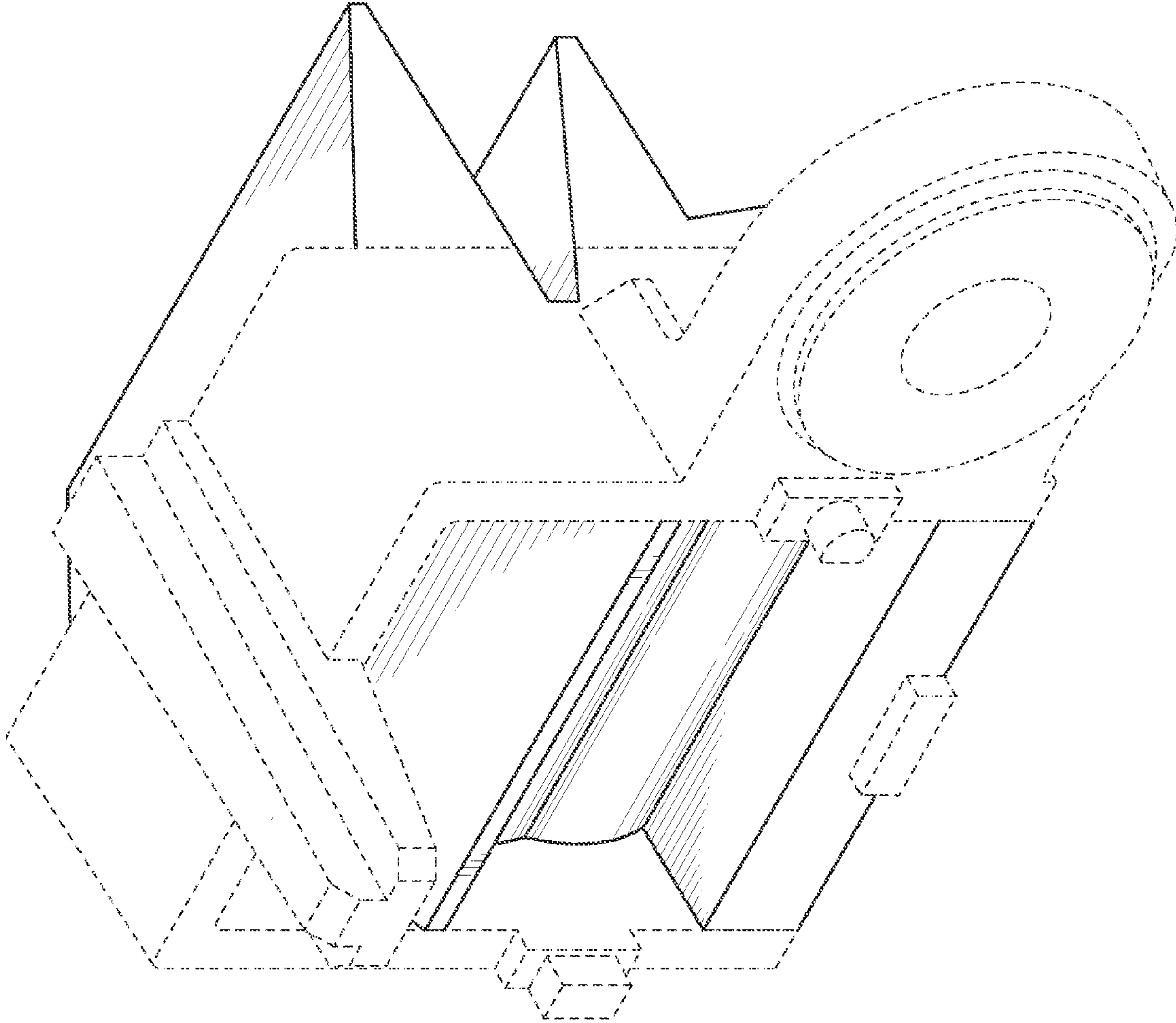


FIG. 8

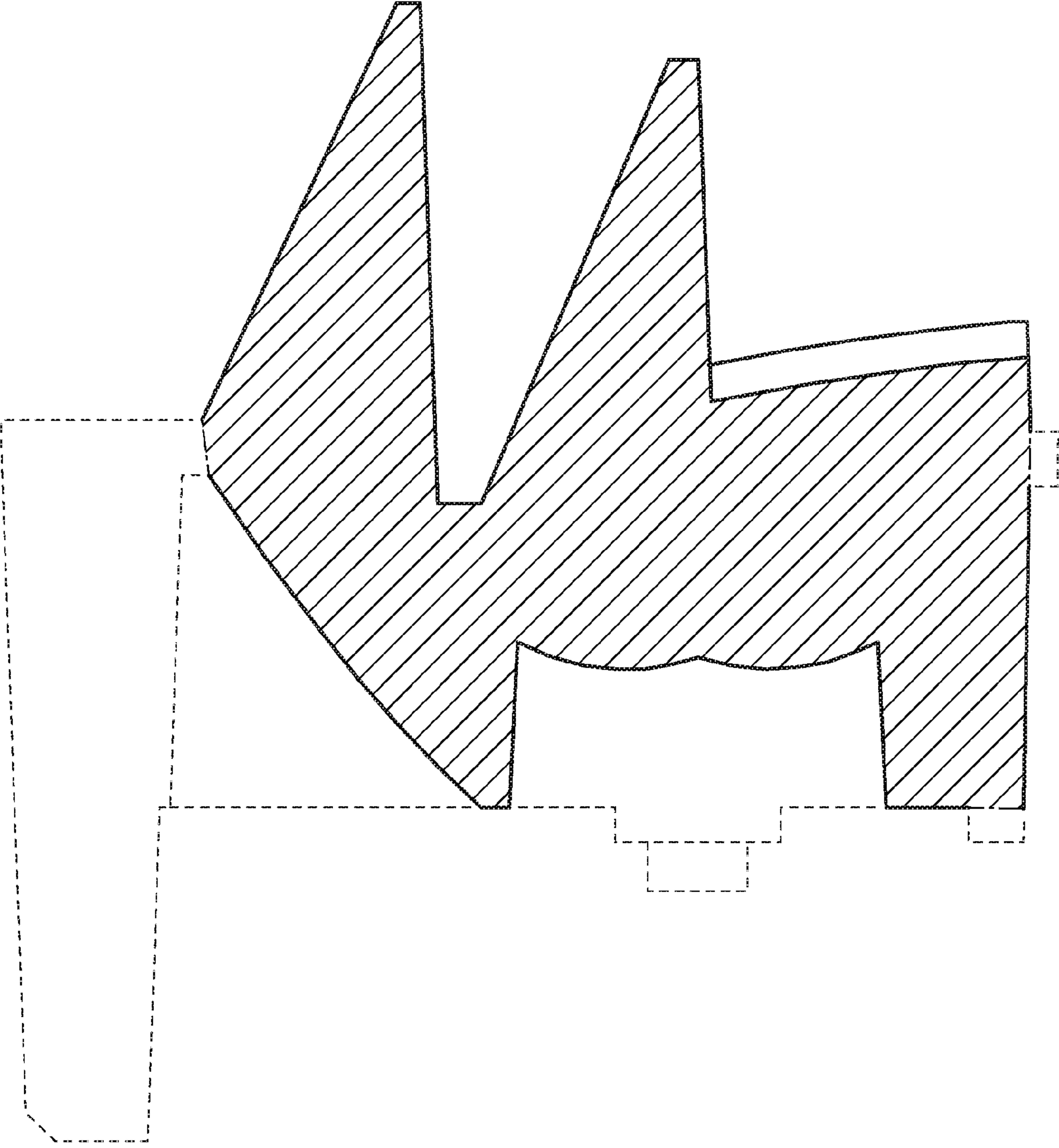


FIG. 9

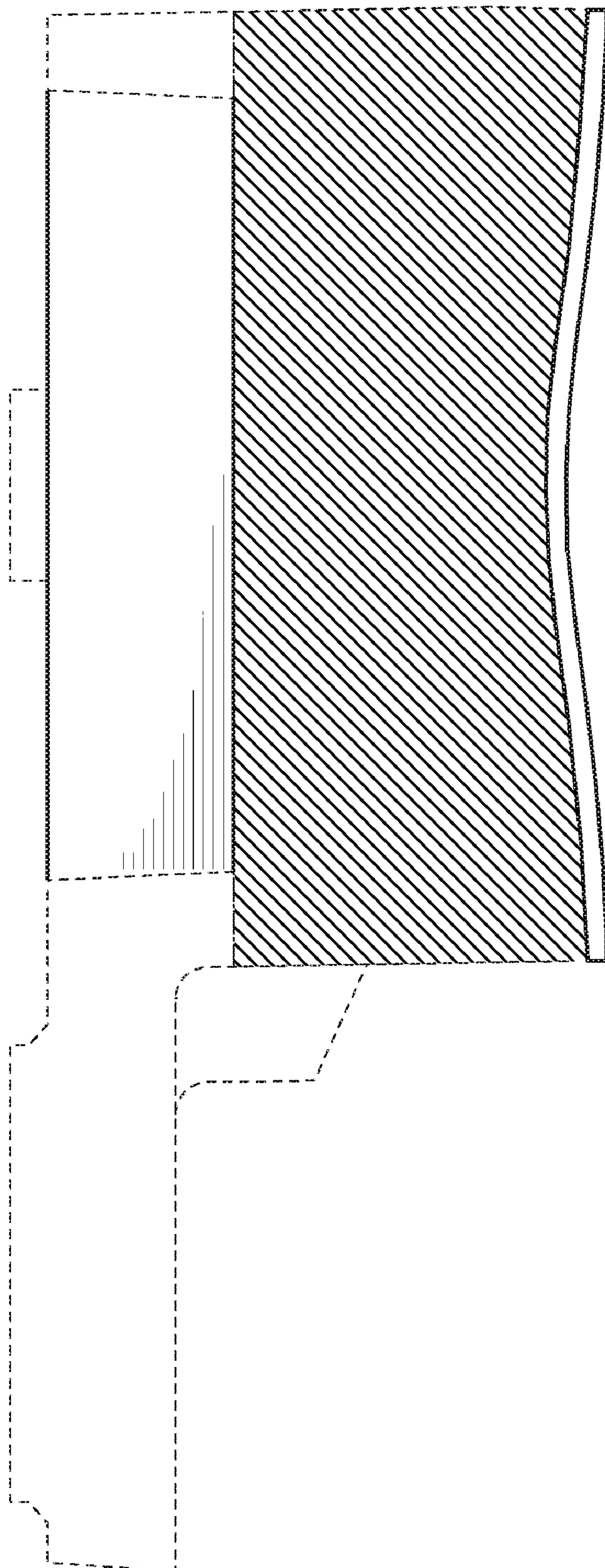


FIG. 10