



US00D614215S

(12) **United States Design Patent**
Place et al.

(10) **Patent No.:** **US D614,215 S**

(45) **Date of Patent:** **** Apr. 20, 2010**

(54) **FACING TOOL**

(75) Inventors: **Brent K. Place**, Hager City, WI (US);
Pieter W. Ernest, Son en Breugel (NL)

(73) Assignee: **Actuant Corporation**, Butler, WI (US)

(**) Term: **14 Years**

(21) Appl. No.: **29/345,352**

(22) Filed: **Oct. 14, 2009**

(51) **LOC (9) Cl.** **15-09**

(52) **U.S. Cl.** **D15/127**

(58) **Field of Classification Search** D15/126,
D15/127, 129, 130, 138; 82/1.4, 113, 123,
82/128; 408/124, 129, 132, 141, 180, 187
See application file for complete search history.

(56) **References Cited**

U.S. PATENT DOCUMENTS

4,033,208	A *	7/1977	Gilmore	82/113
4,852,435	A	8/1989	Hunt		
4,981,055	A *	1/1991	VanderPol et al.	82/113
D326,101	S *	5/1992	Tsay	D15/131
D329,436	S *	9/1992	Saito	D15/127
D330,379	S *	10/1992	Hoover	D15/124
5,642,969	A *	7/1997	Strait	408/124
5,775,188	A *	7/1998	Strait	82/1.11
7,172,374	B2 *	2/2007	Burr et al.	408/187
2001/0029817	A1 *	10/2001	Strait	82/113

2003/0000353 A1* 1/2003 Richards et al. 82/113

OTHER PUBLICATIONS

Hydratight, pages from www.hydratight.com, Technical Data on the GTB2 and 314 Beveler.

* cited by examiner

Primary Examiner—Sandra Snapp

Assistant Examiner—Patricia Palasik

(74) *Attorney, Agent, or Firm*—Quarles & Brady LLP

(57) **CLAIM**

The ornamental design for a facing tool, as shown and described.

DESCRIPTION

FIG. 1 is a front perspective view of a facing tool showing our new design;

FIG. 2 is a rear perspective view thereof;

FIG. 3 is a front elevational view thereof;

FIG. 4 is a rear elevational view thereof;

FIG. 5 is a right side elevational view thereof;

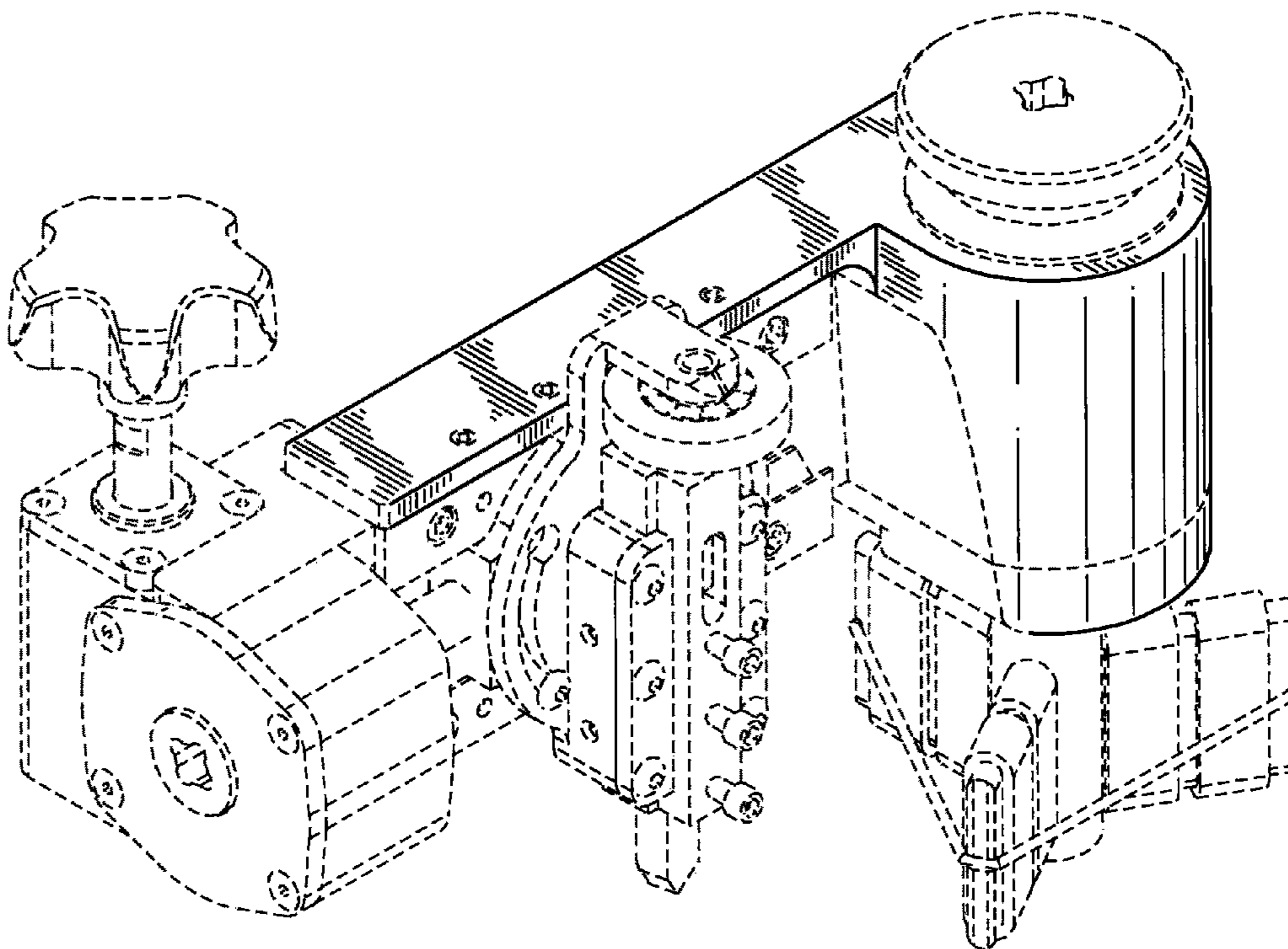
FIG. 6 is a left side elevational view thereof;

FIG. 7 is a top plan view thereof; and,

FIG. 8 is a bottom plan view thereof.

The broken lines in the drawings depict unclaimed environmental subject matter.

1 Claim, 7 Drawing Sheets



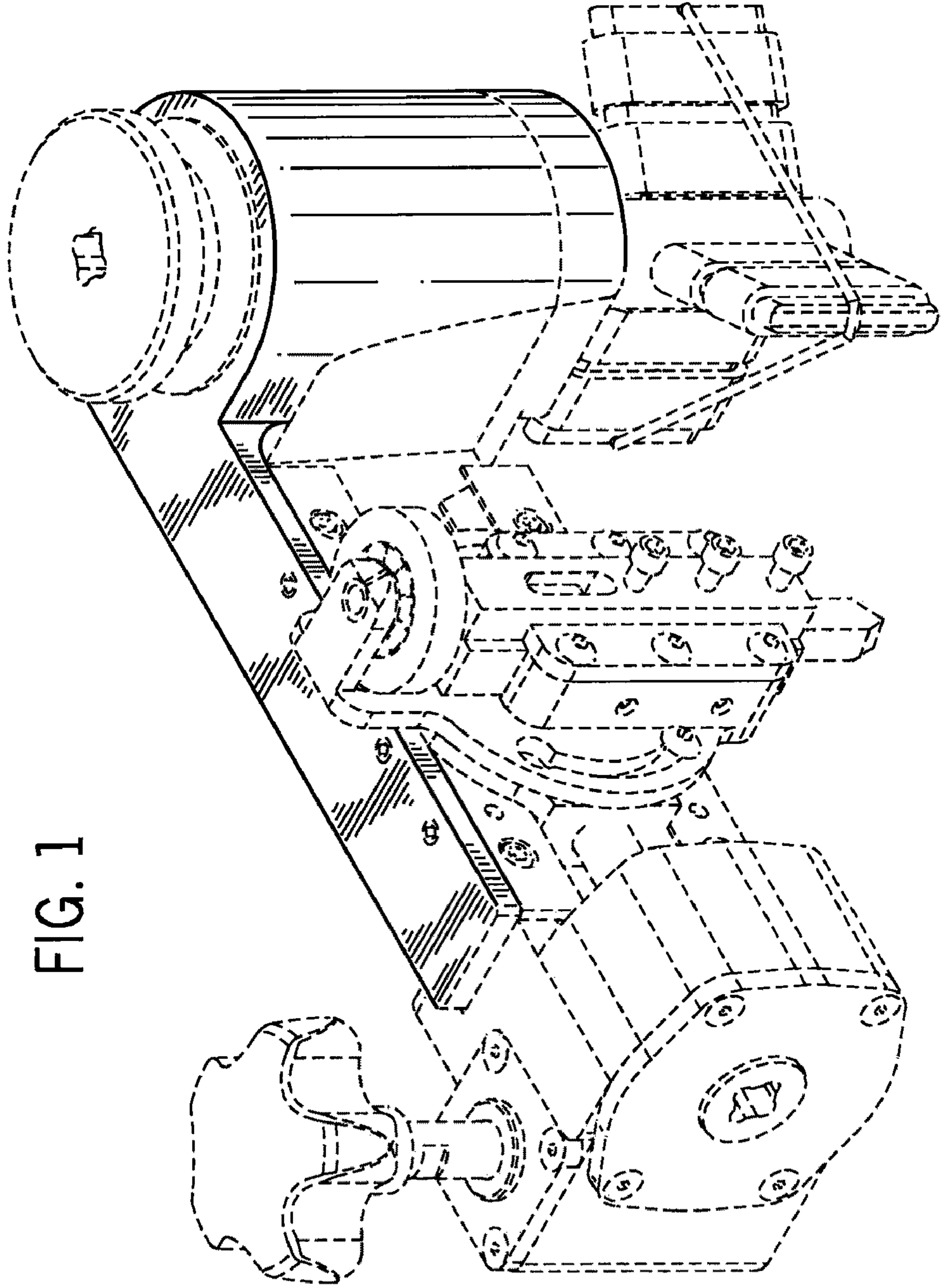


FIG. 1

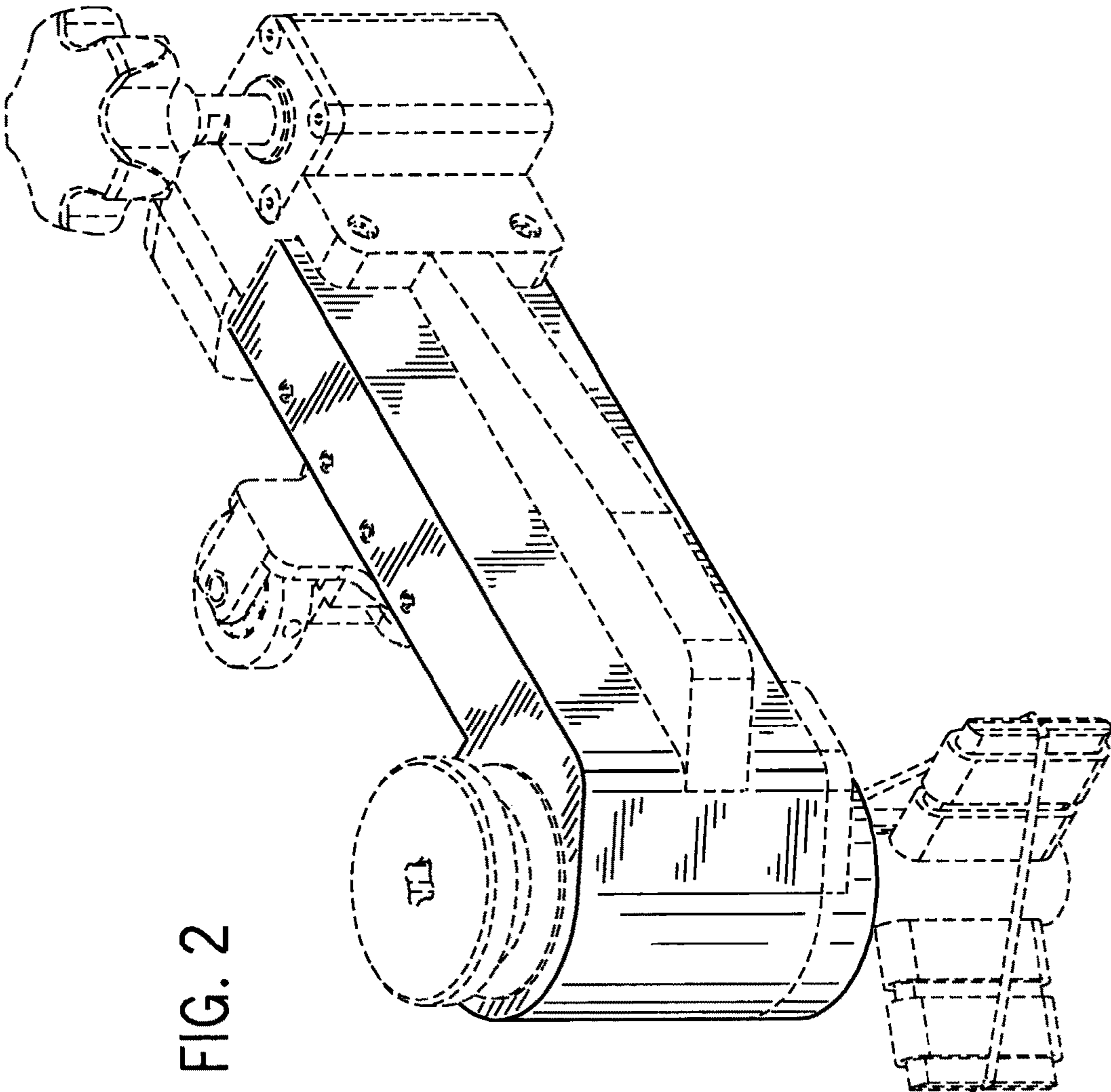


FIG. 2

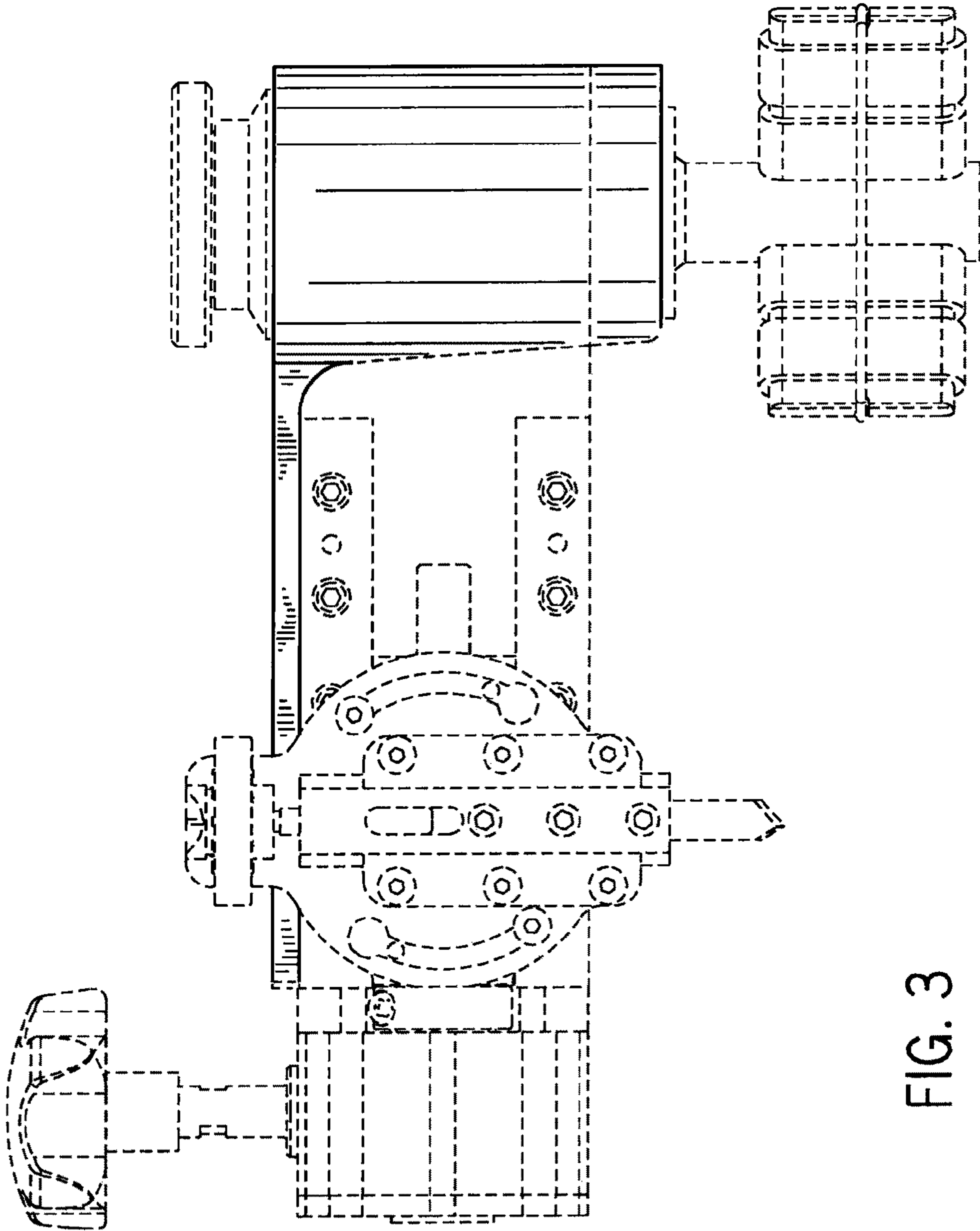


FIG. 3

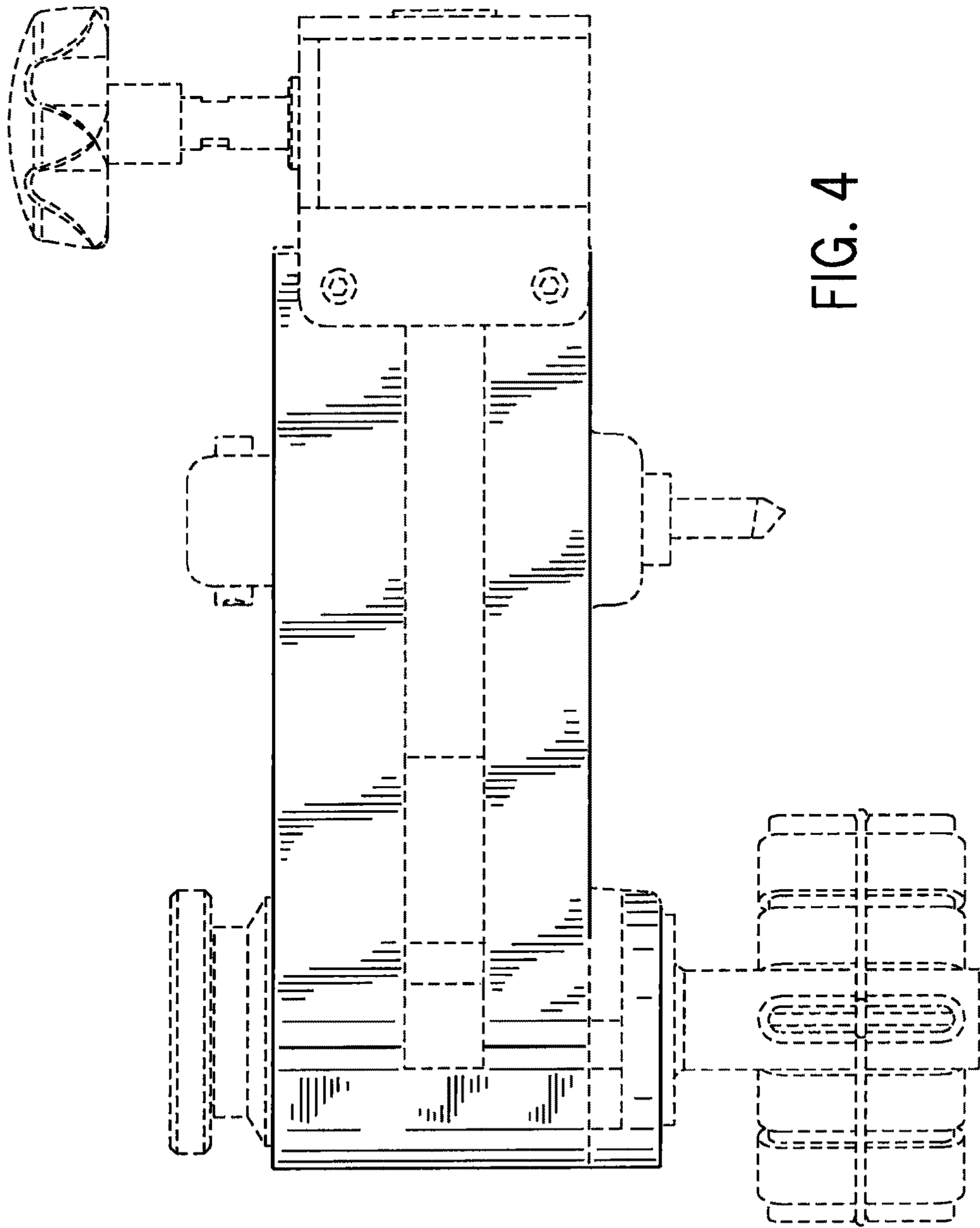


FIG. 4

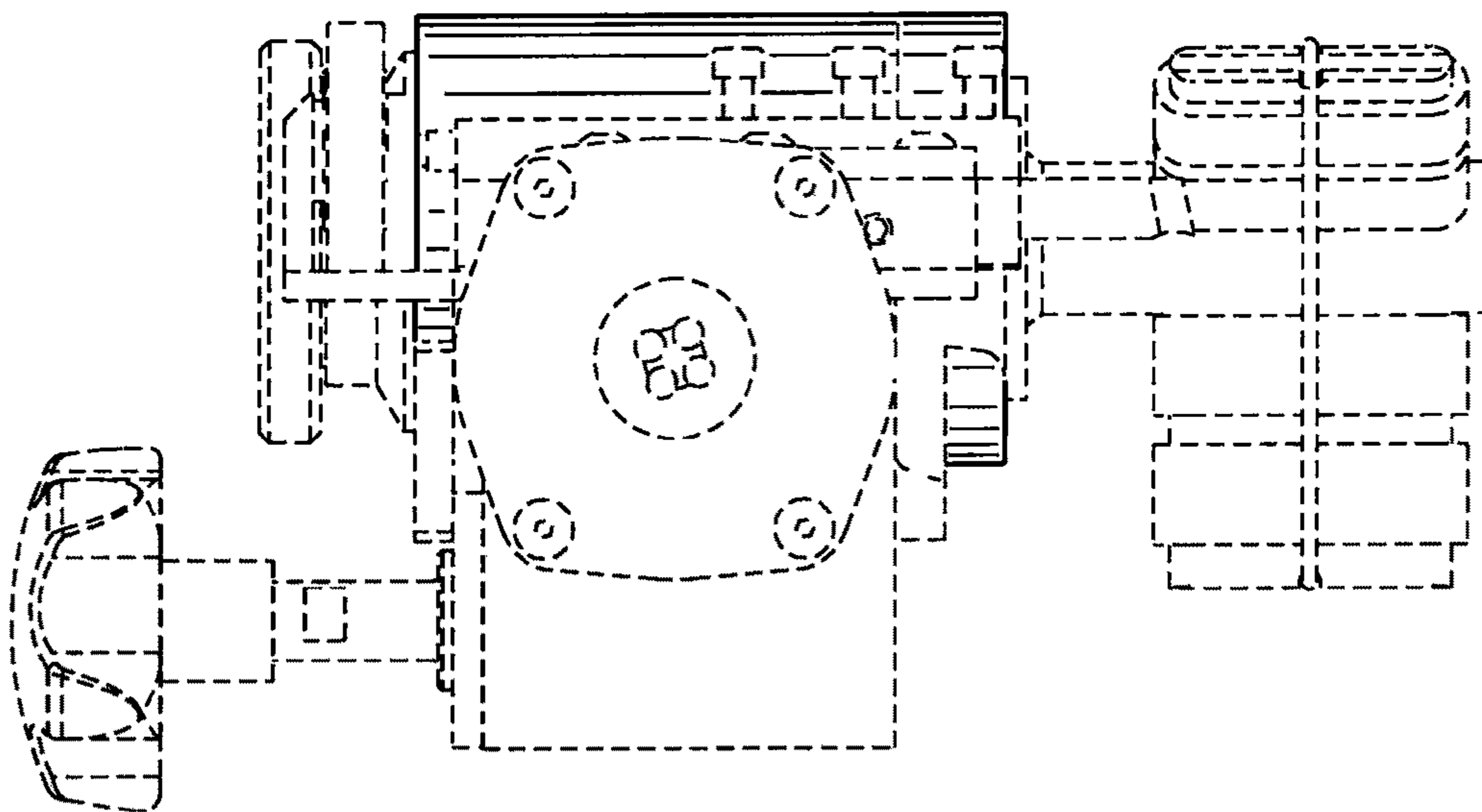


FIG. 6

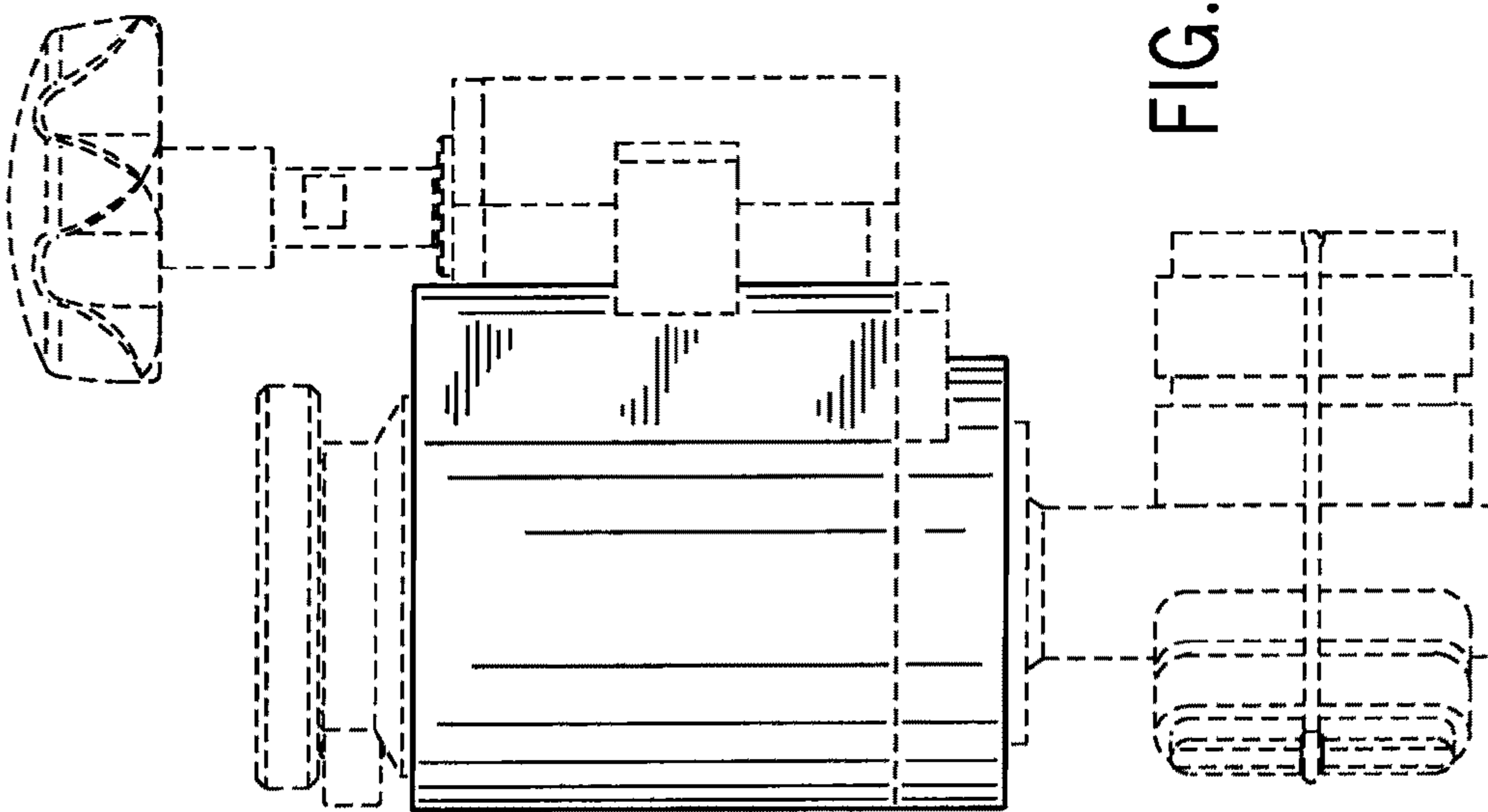


FIG. 5

FIG. 7

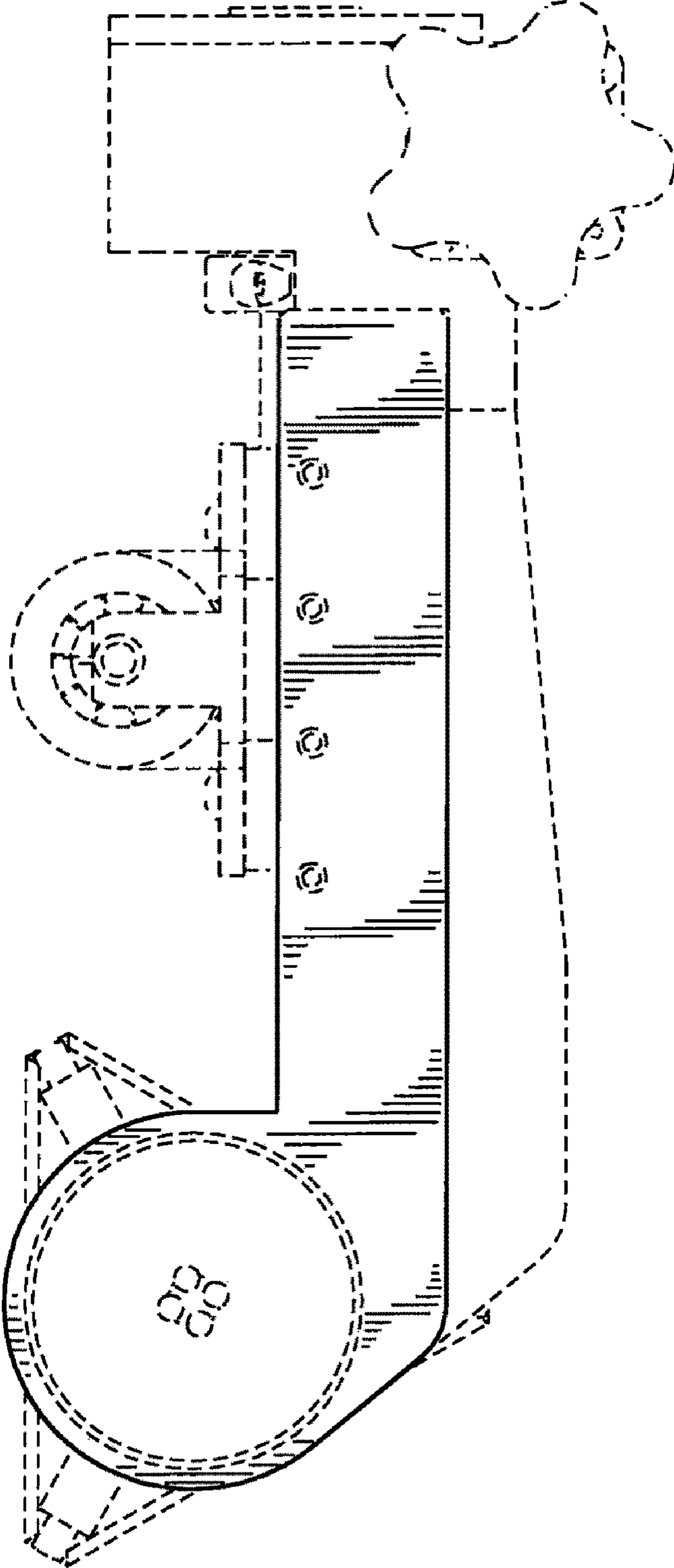


FIG. 8

