



US00D614214S

(12) **United States Design Patent**
Vander Woude

(10) **Patent No.:** **US D614,214 S**

(45) **Date of Patent:** **** Apr. 20, 2010**

(54) **CUTTING MACHINE**

(76) **Inventor:** **Jeremy Vander Woude**, 7264 Newbrook Dr., Nampa, ID (US) 83687

(**) **Term:** **14 Years**

(21) **Appl. No.:** **29/322,797**

(22) **Filed:** **Aug. 12, 2008**

(51) **LOC (9) Cl.** **15-09**

(52) **U.S. Cl.** **D15/127**

(58) **Field of Classification Search** D15/127-129, D15/145, 146; D18/34.1, 34.3, 34.8, 50; 30/151, 292, 294, 319; 83/66, 127, 167, 83/321, 322, 334, 512, 544, 547, 563, 565, 83/614, 624, 674, 745, 927; 100/210, 211, 100/233, 245, 282, 295, 902; 225/97, 103; 493/342, 354, 372

See application file for complete search history.

(56) **References Cited**

U.S. PATENT DOCUMENTS

| | | | | |
|-----------|-----|---------|---------------|----------|
| 2,608,254 | A * | 8/1952 | McLaughlin | 83/453 |
| D233,559 | S * | 11/1974 | Estes | D18/34.1 |
| D280,904 | S * | 10/1985 | Kruse et al. | D15/129 |
| D308,386 | S * | 6/1990 | Munson et al. | D15/127 |
| D342,271 | S * | 12/1993 | Keng | D15/146 |
| D440,992 | S * | 4/2001 | Parson et al. | D15/146 |

| | | | | |
|--------------|------|---------|----------------|----------|
| D459,751 | S * | 7/2002 | Hsiao | D15/146 |
| D497,940 | S * | 11/2004 | Hwang et al. | D18/50 |
| D534,204 | S * | 12/2006 | Workman et al. | D18/34.3 |
| D544,508 | S * | 6/2007 | Beno et al. | D15/146 |
| D546,853 | S * | 7/2007 | Gaines et al. | D15/146 |
| D562,379 | S * | 2/2008 | Tatara et al. | D18/50 |
| D566,756 | S * | 4/2008 | Massey et al. | D18/50 |
| 2007/0012152 | A1 * | 1/2007 | Workman et al. | 83/614 |

* cited by examiner

Primary Examiner—Sandra Snapp

Assistant Examiner—Patricia Palasik

(74) *Attorney, Agent, or Firm*—Stephen M. Nipper; Dykas, Shaver & Nipper, LLP

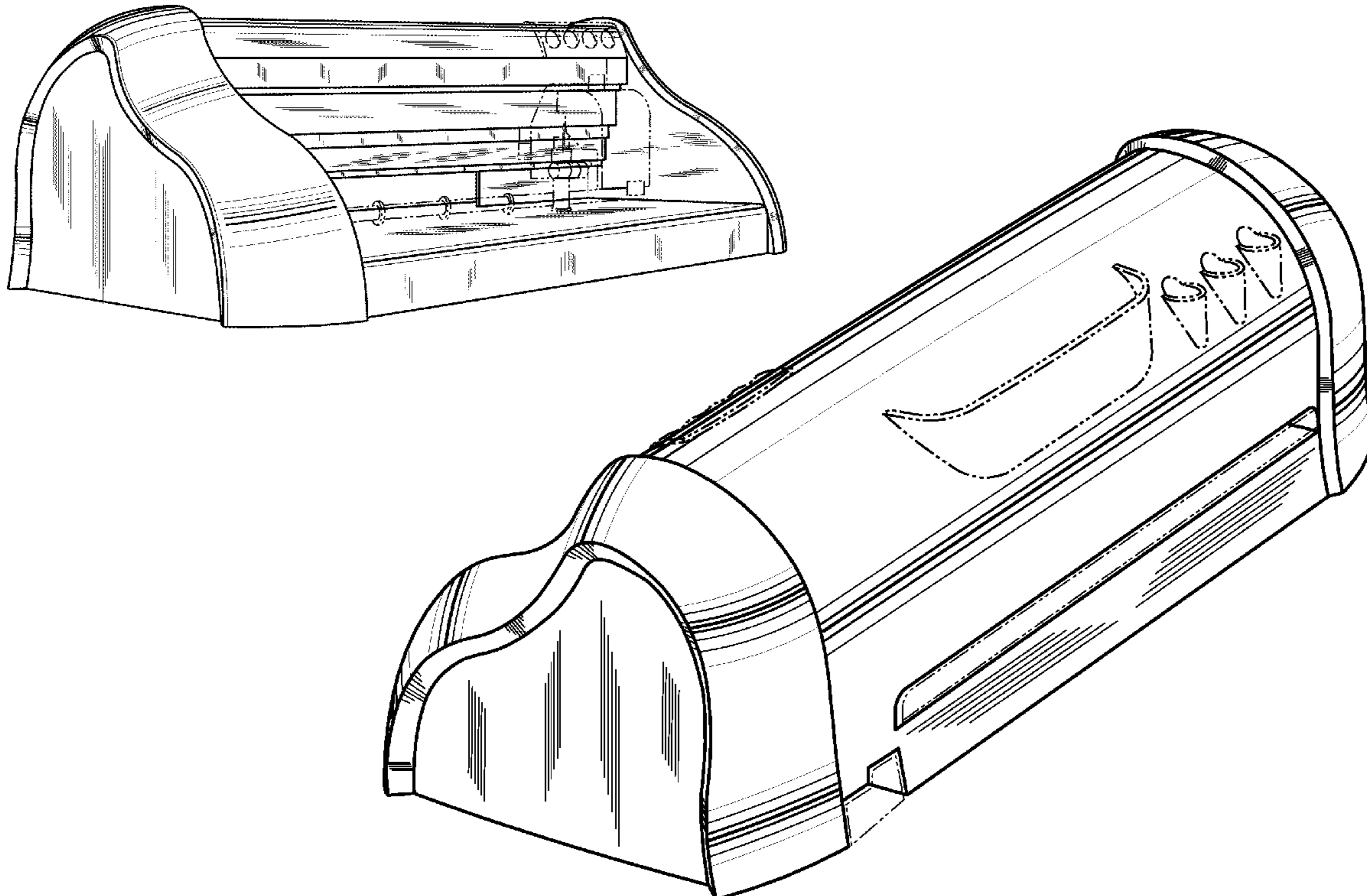
(57) **CLAIM**

The ornamental design for a cutting machine, as shown and described.

DESCRIPTION

FIG. 1 is a front side view of the cutting machine;
FIG. 2 is a front side perspective view of the cutting machine;
FIG. 3 is a rear side perspective view of the cutting machine;
FIG. 4 is a first end view of the cutting machine;
FIG. 5 is a back side view of the cutting machine; and,
FIG. 6 is a second end view of the cutting machine.

1 Claim, 6 Drawing Sheets



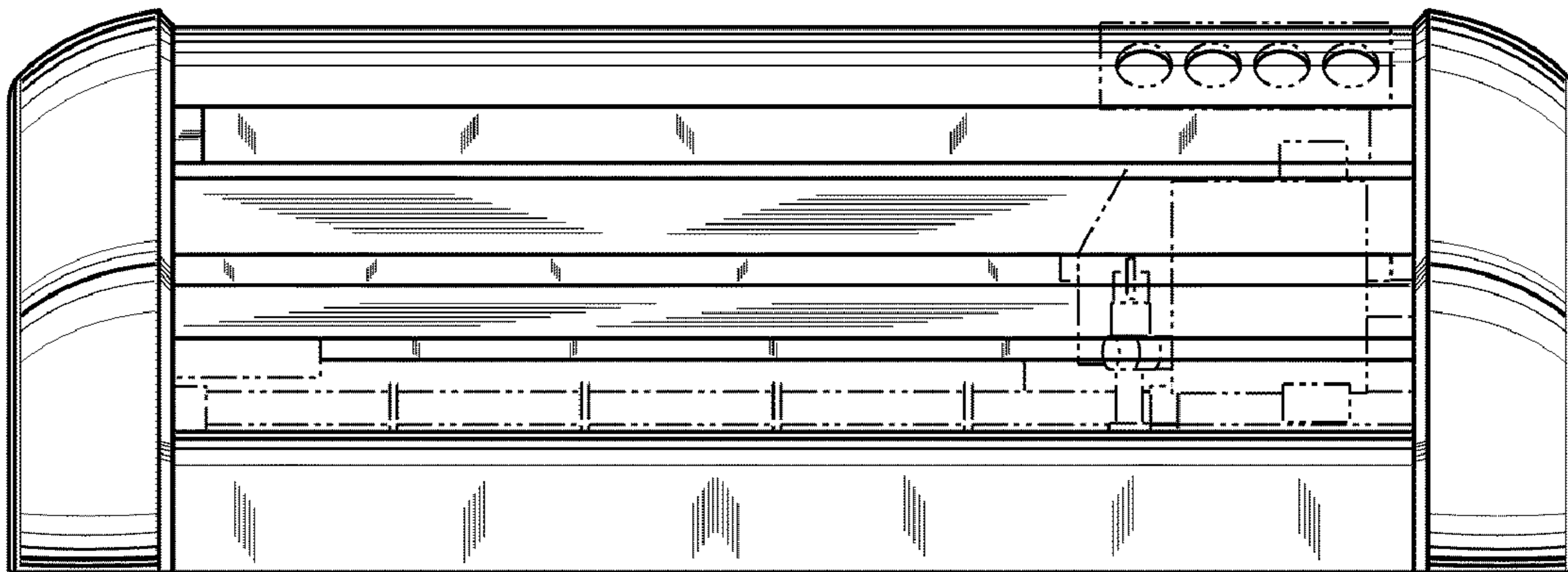
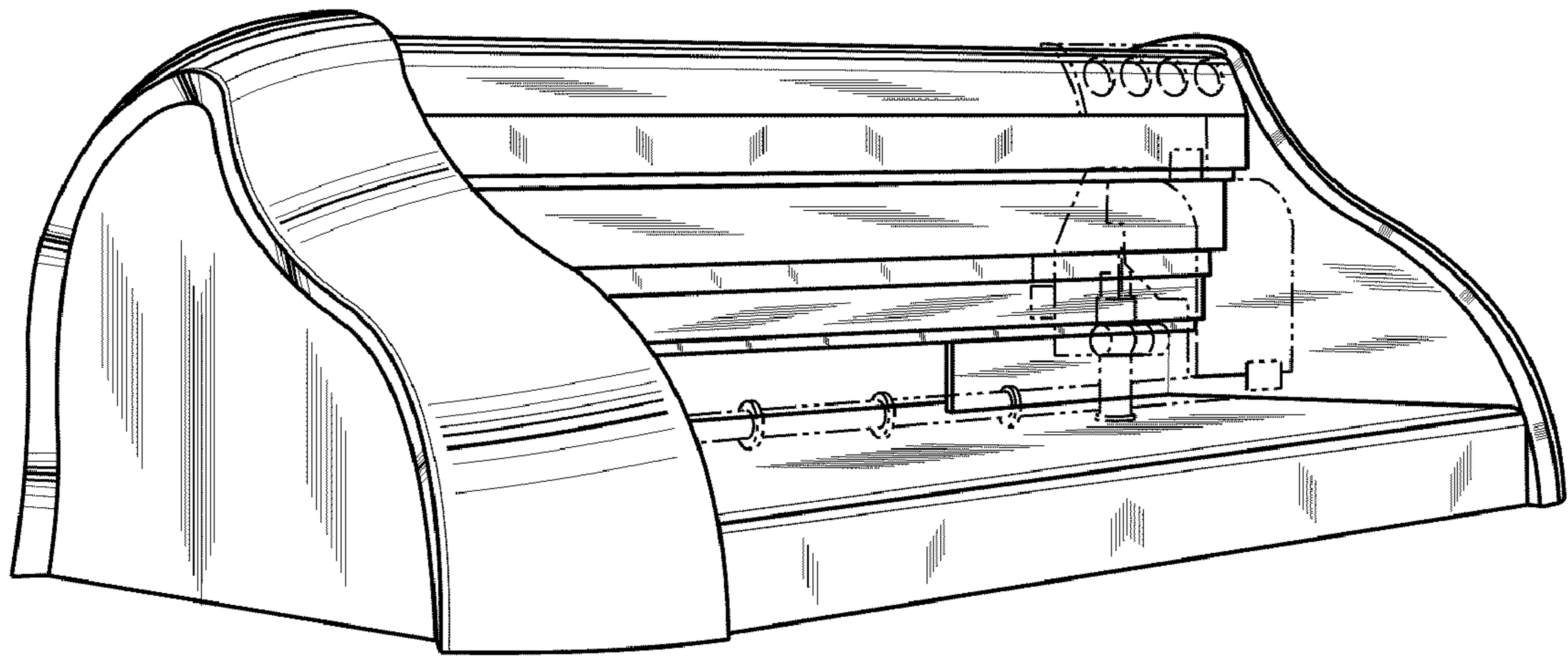


FIG. 1



—FIG. 2

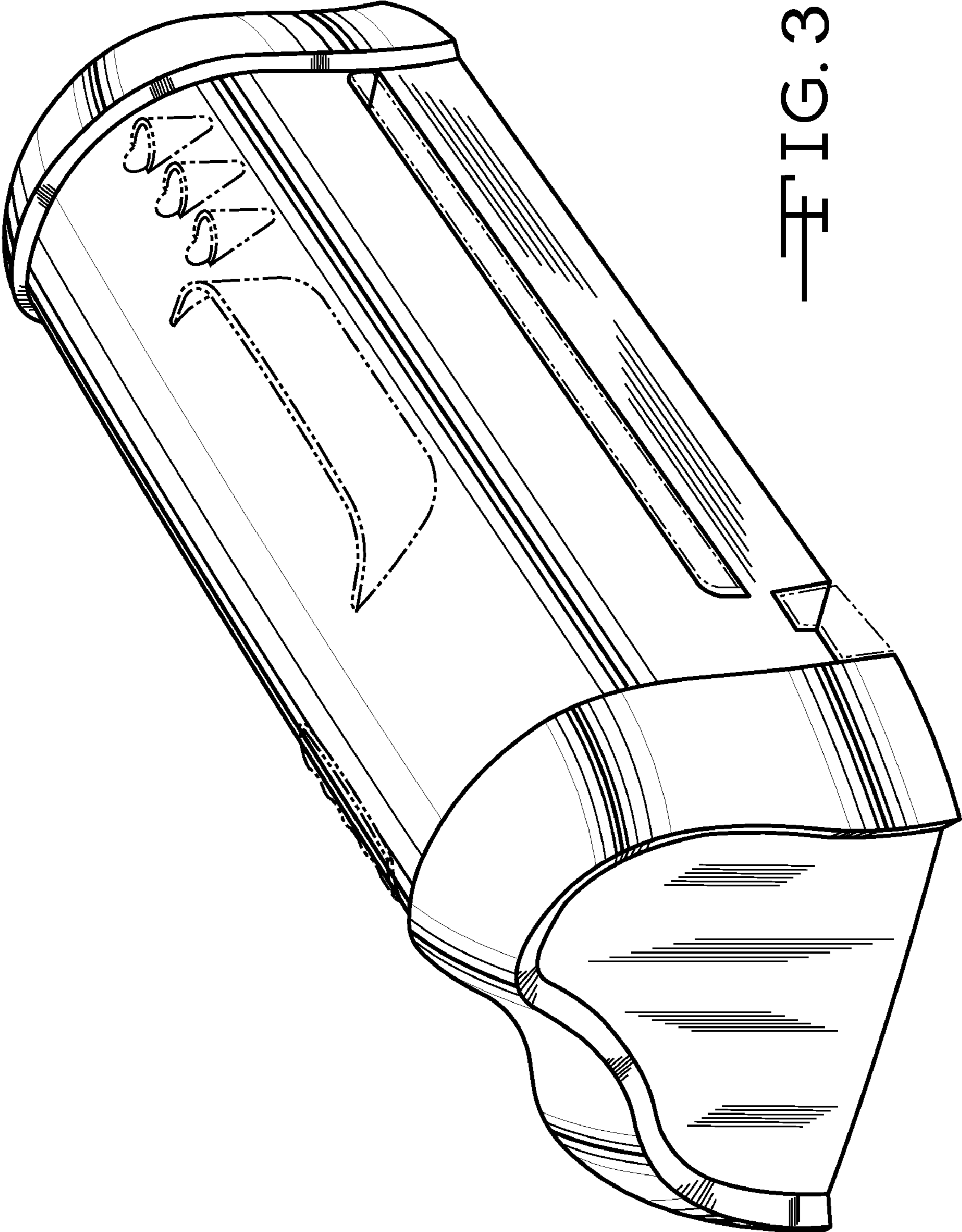
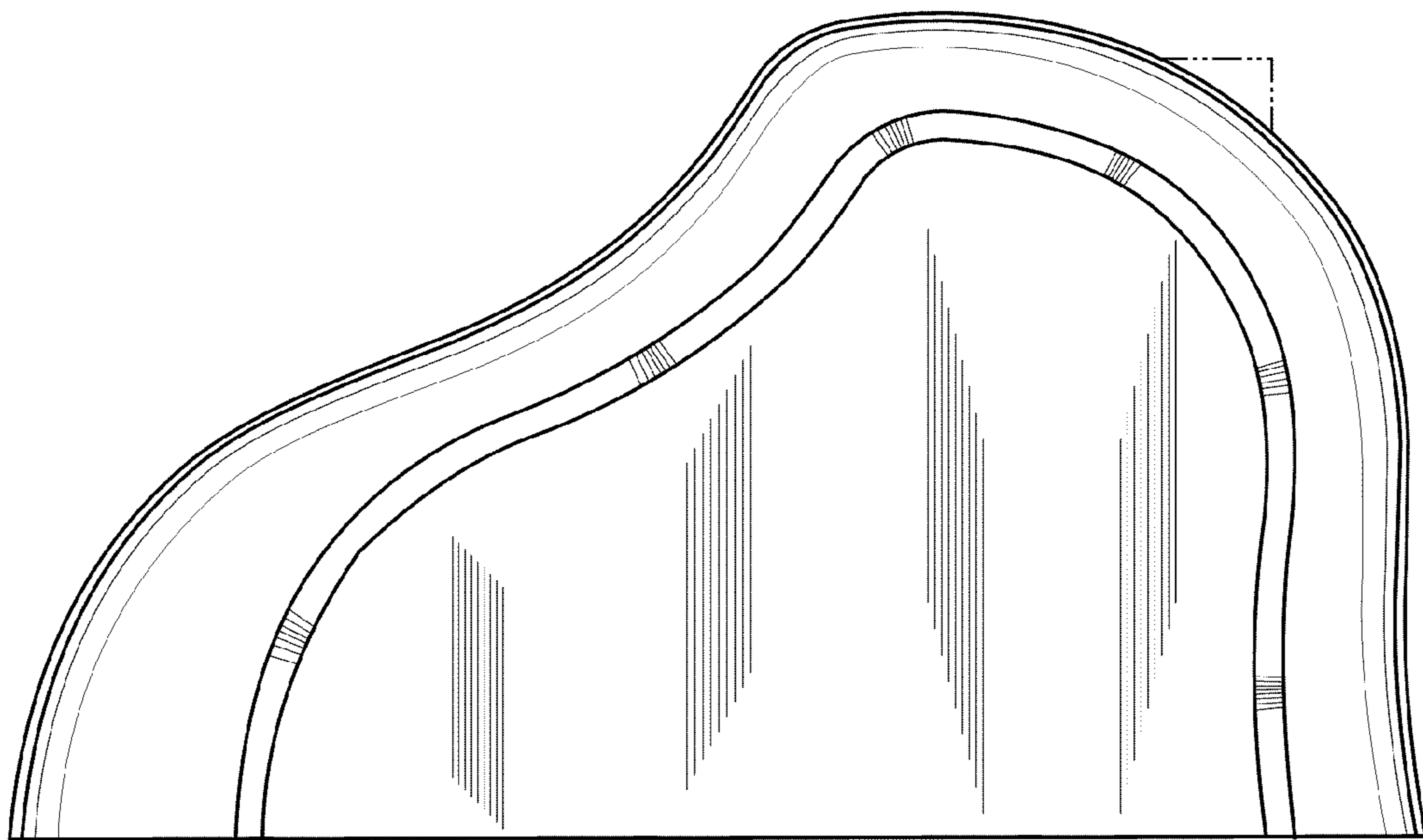


FIG. 3



—FIG. 4

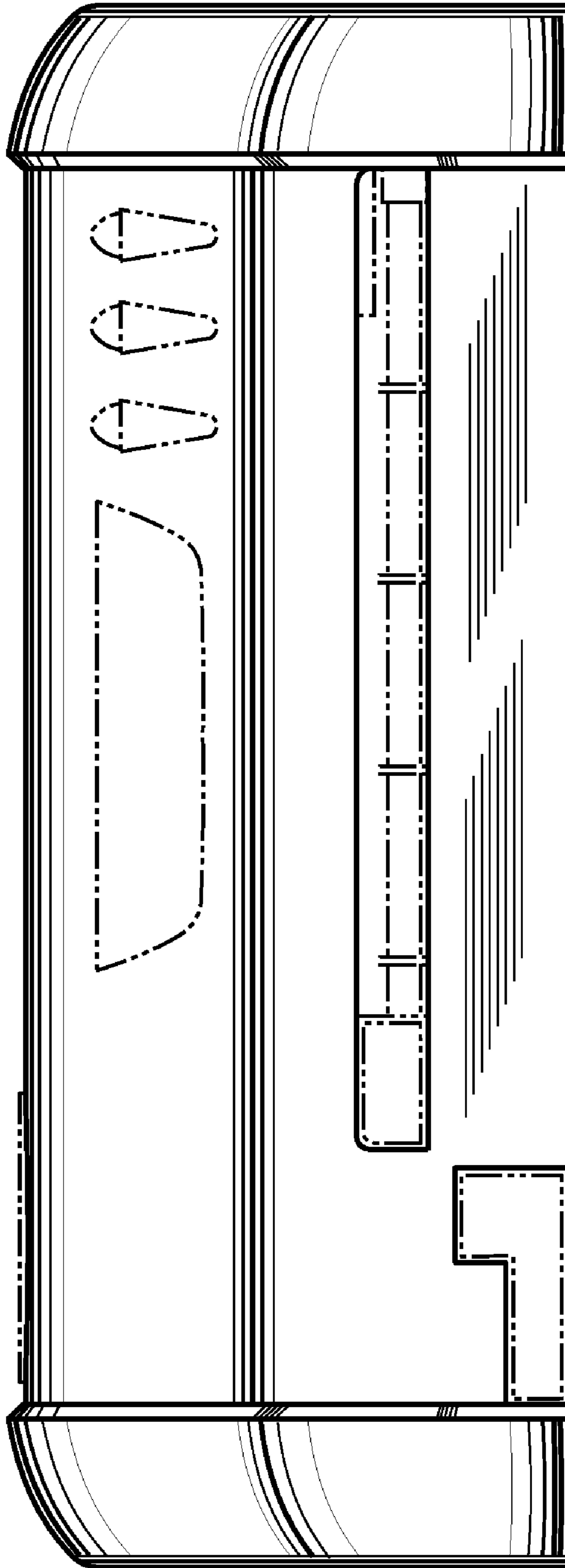


FIG. 5

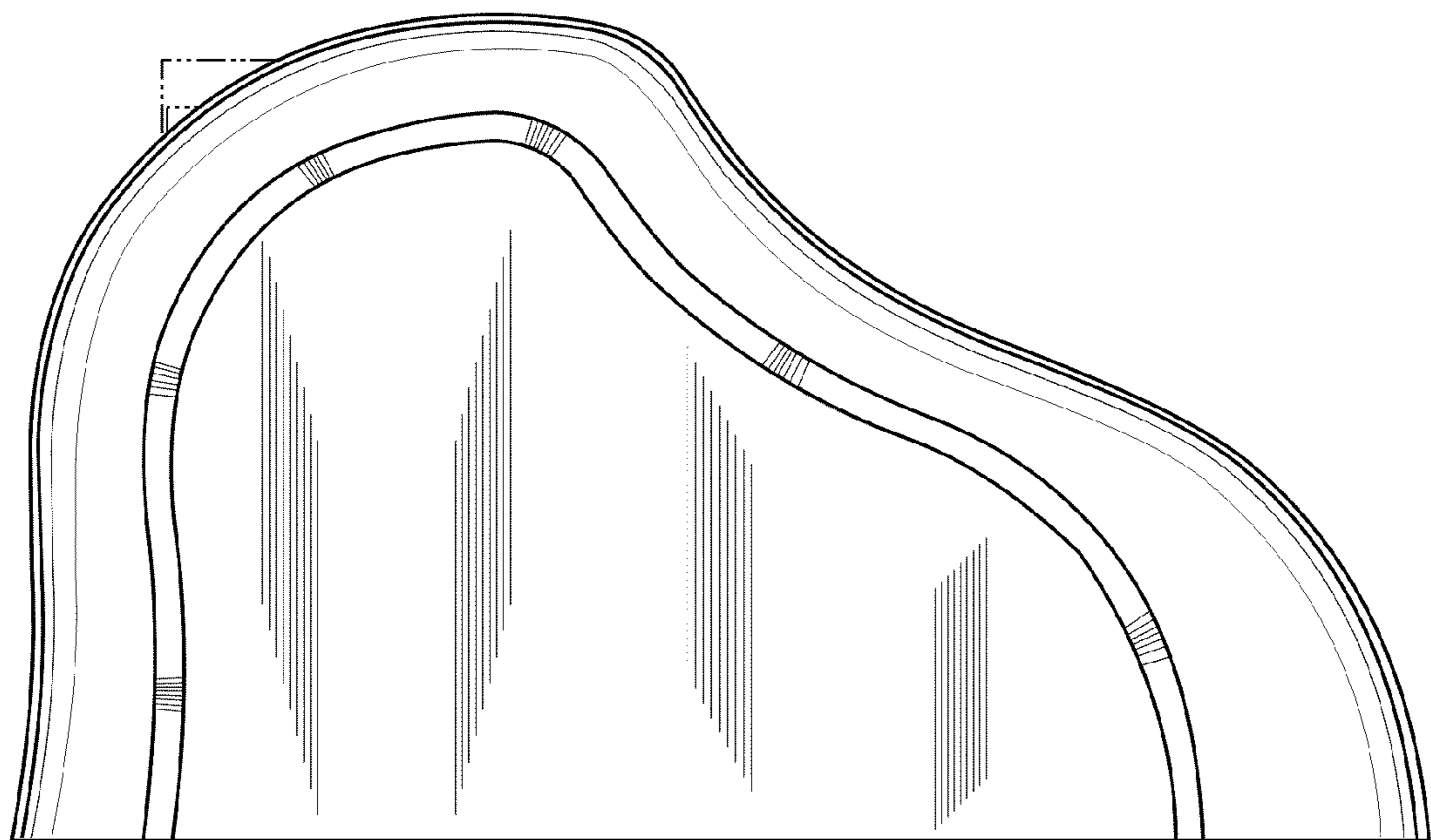


FIG. 6