



US00D614213S

(12) **United States Design Patent**
Martinez

(10) **Patent No.:** **US D614,213 S**
(45) **Date of Patent:** **** Apr. 20, 2010**

(54) **DRUM-SHAPED CYMBAL POLISHER**

(76) Inventor: **Albert S. Martinez**, 620 Cody Rd.,
Ennis, TX (US) 75119

(**) Term: **14 Years**

(21) Appl. No.: **29/296,444**

(22) Filed: **Oct. 20, 2007**

(51) **LOC (9) Cl.** **15-09**

(52) **U.S. Cl.** **D15/124**

(58) **Field of Classification Search** D15/123,
D15/124, 125, 126; 451/5, 27, 32, 36, 49,
451/104, 107, 113, 160, 326, 327; 700/164
See application file for complete search history.

(56) **References Cited**

U.S. PATENT DOCUMENTS

D138,969	S	*	10/1944	Bowen	D15/124
4,173,851	A	*	11/1979	Higashi	451/36
4,512,107	A	*	4/1985	Jones	451/160
4,541,204	A	*	9/1985	Reneau	451/49
5,048,929	A	*	9/1991	Watanabe et al.	359/896
D390,577	S	*	2/1998	Imahashi	D15/124
D459,370	S	*	6/2002	Beadel	D15/124
2004/0166769	A1	*	8/2004	Zelenski et al.	451/5
2005/0164605	A1	*	7/2005	Aeugle et al.	451/5
2005/0186889	A1	*	8/2005	McNeil et al.	451/36

2006/0040584	A1	*	2/2006	Ray et al.	451/5
2006/0217833	A1	*	9/2006	Guenin	700/164
2006/0228990	A1	*	10/2006	James	451/5

* cited by examiner

Primary Examiner—Sandra Snapp
Assistant Examiner—Patricia Palasik
(74) *Attorney, Agent, or Firm*—Eric Karich

(57) **CLAIM**

The ornamental design for a “drum-shaped cymbal polisher,” as shown and described.

DESCRIPTION

FIG. 1 is a perspective view of a drum-shaped cymbal polisher, showing my new design;
FIG. 2 is a front elevational view thereof;
FIG. 3 is a rear elevational view thereof;
FIG. 4 is a left side elevational view thereof
FIG. 5 is a right side elevational view thereof;
FIG. 6 is a top plan view thereof; and,
FIG. 7 is a bottom plan view thereof.
The broken line showing of a cymbal is for illustrative purposes only and forms no part of the claimed design

1 Claim, 5 Drawing Sheets

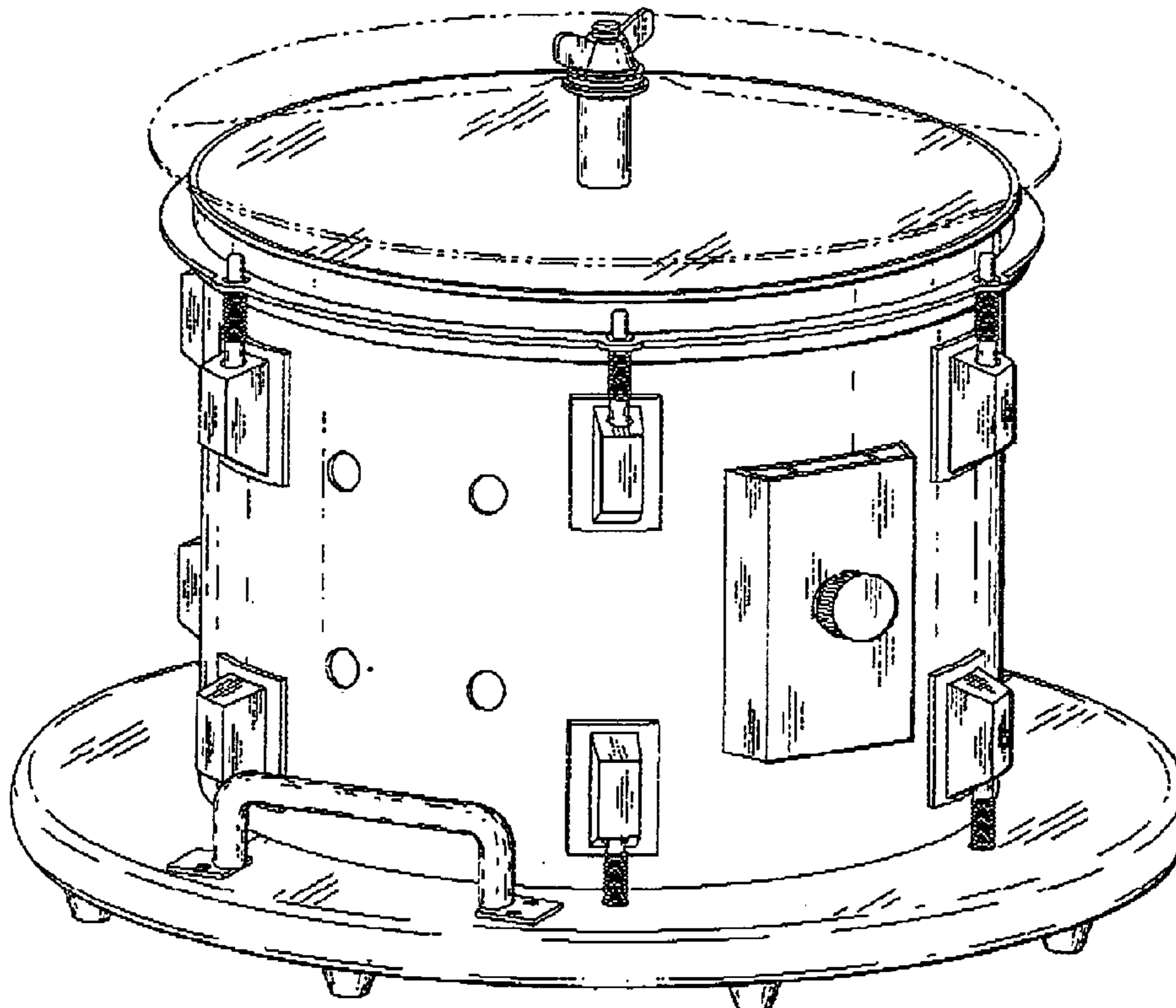


Fig. 1

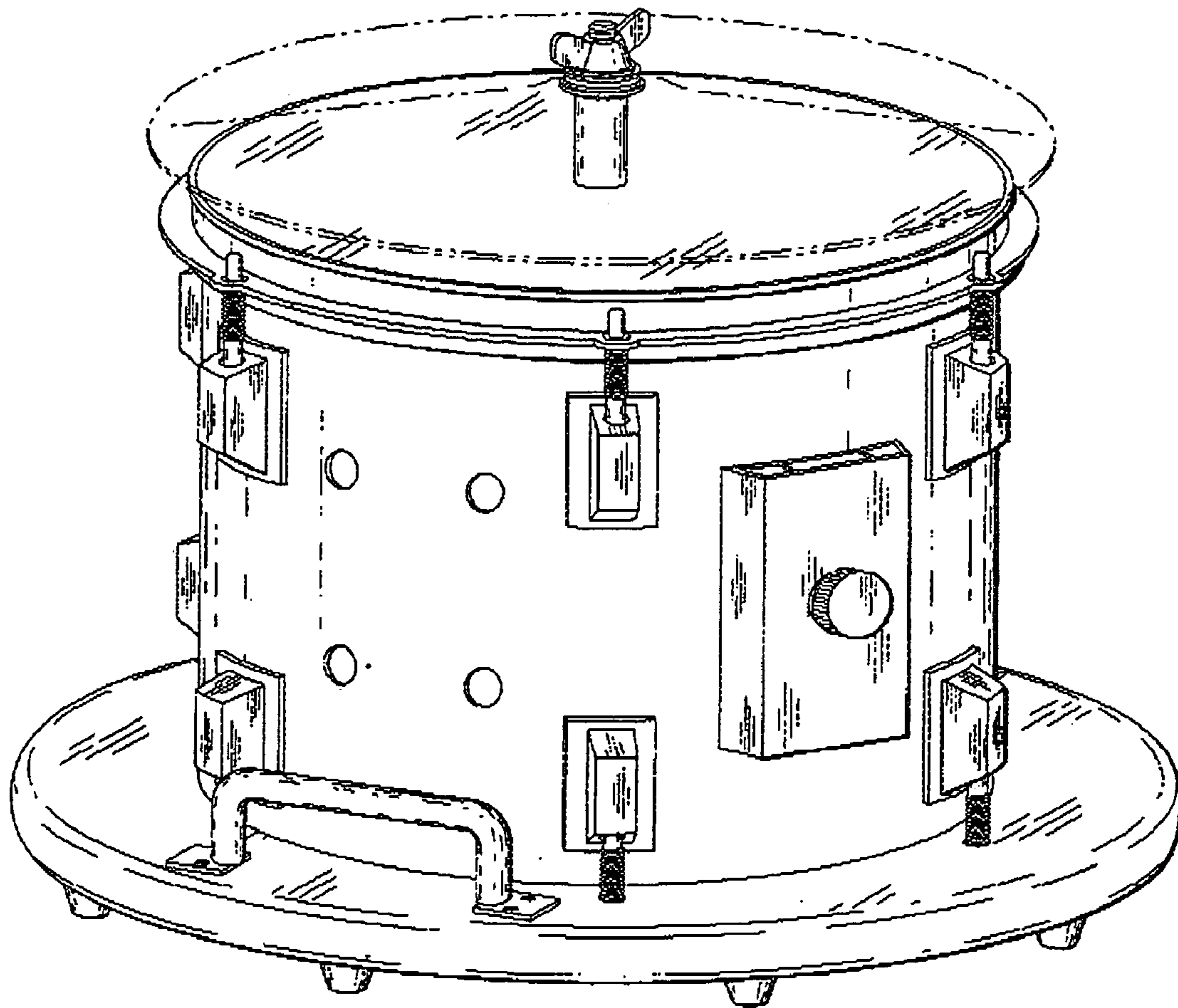


Fig. 2

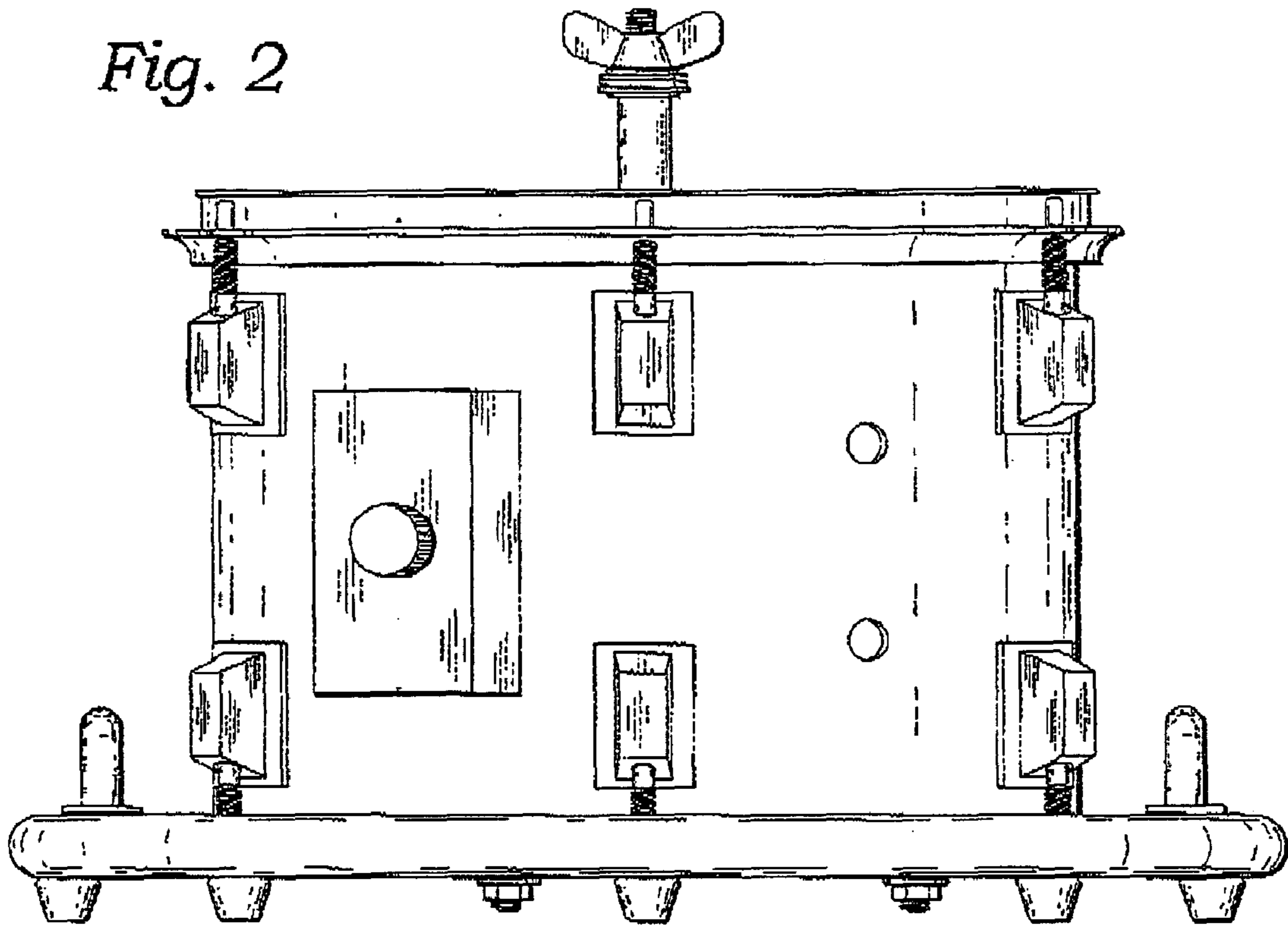


Fig. 3

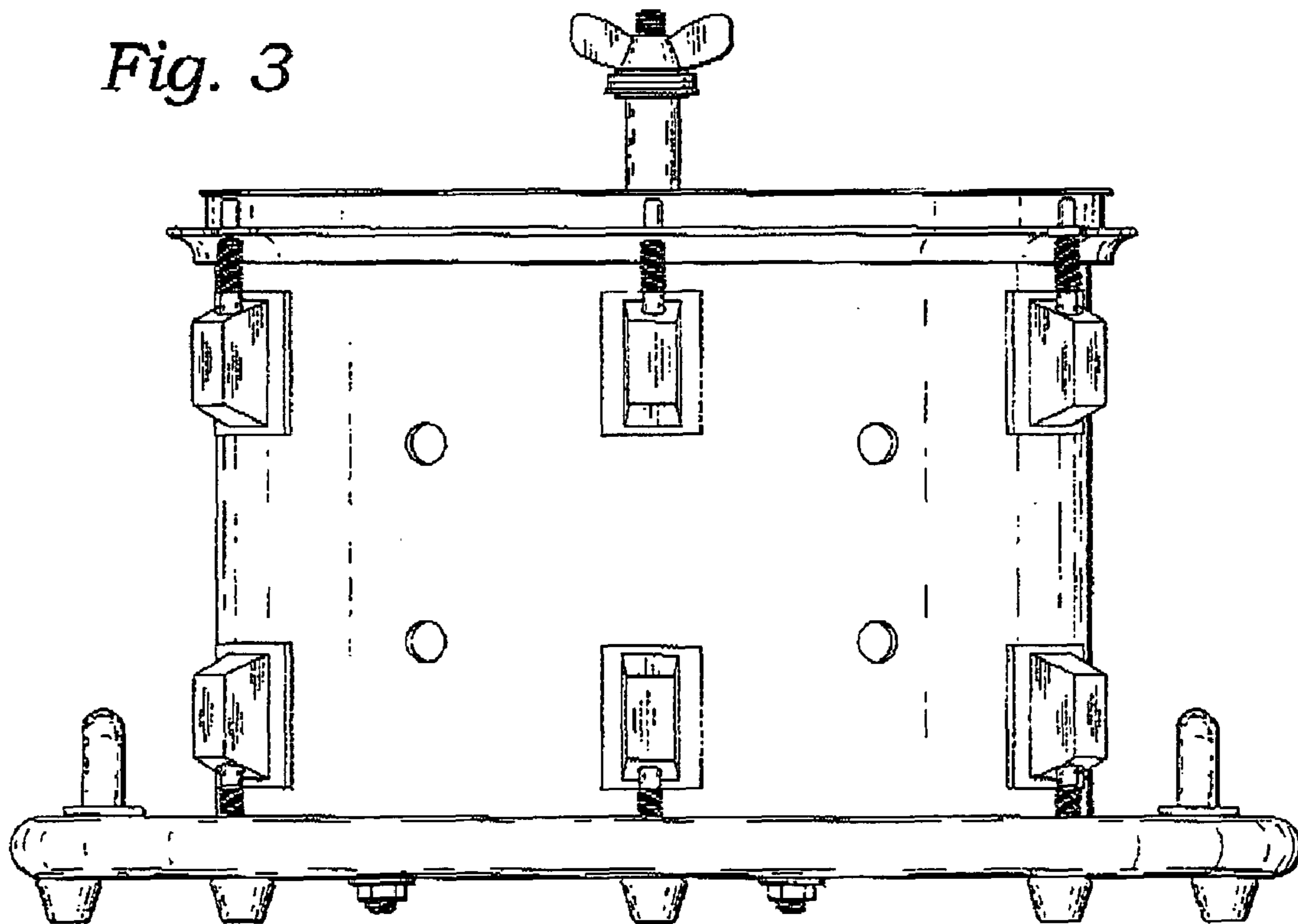


Fig. 4

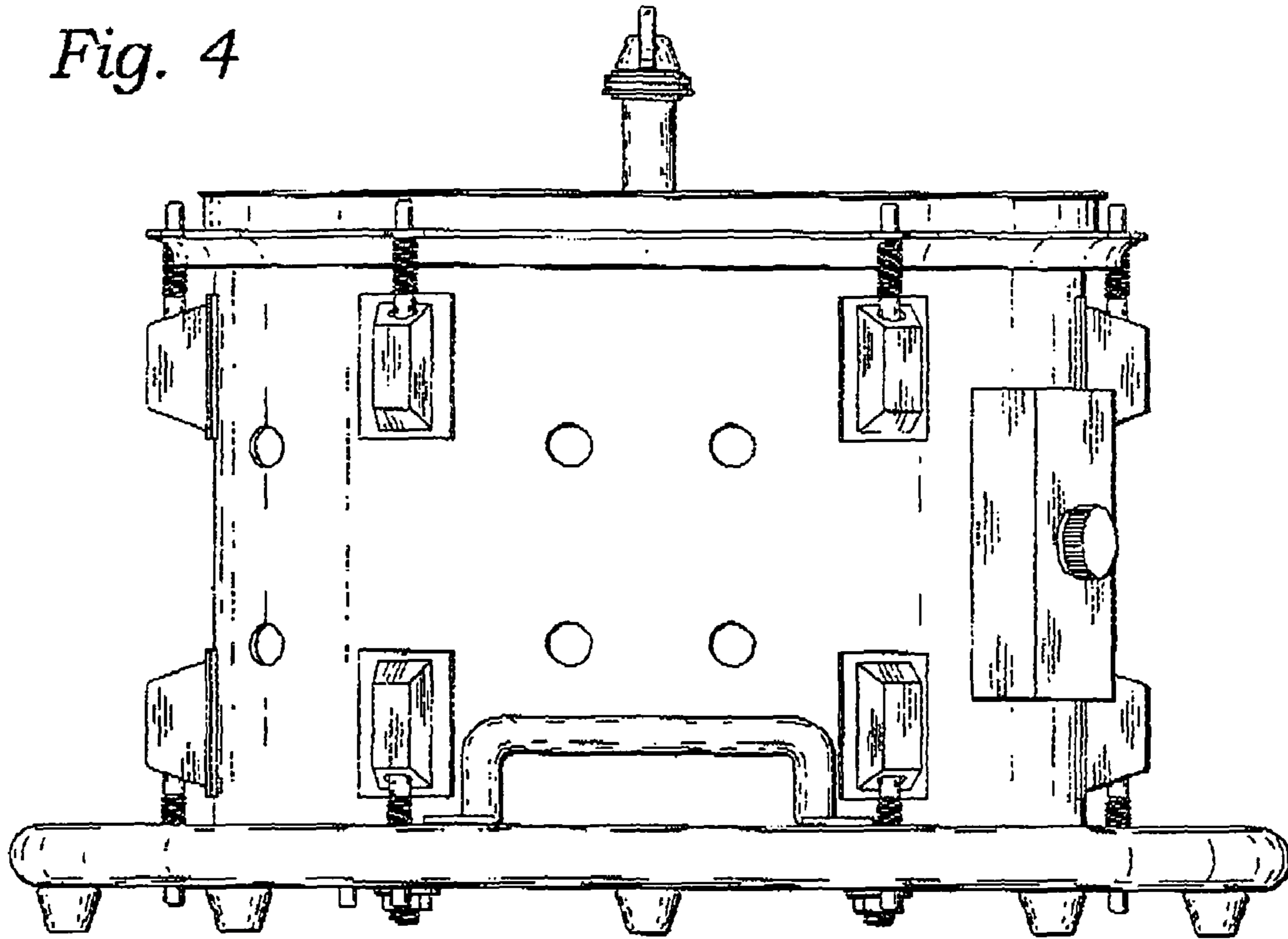


Fig. 5

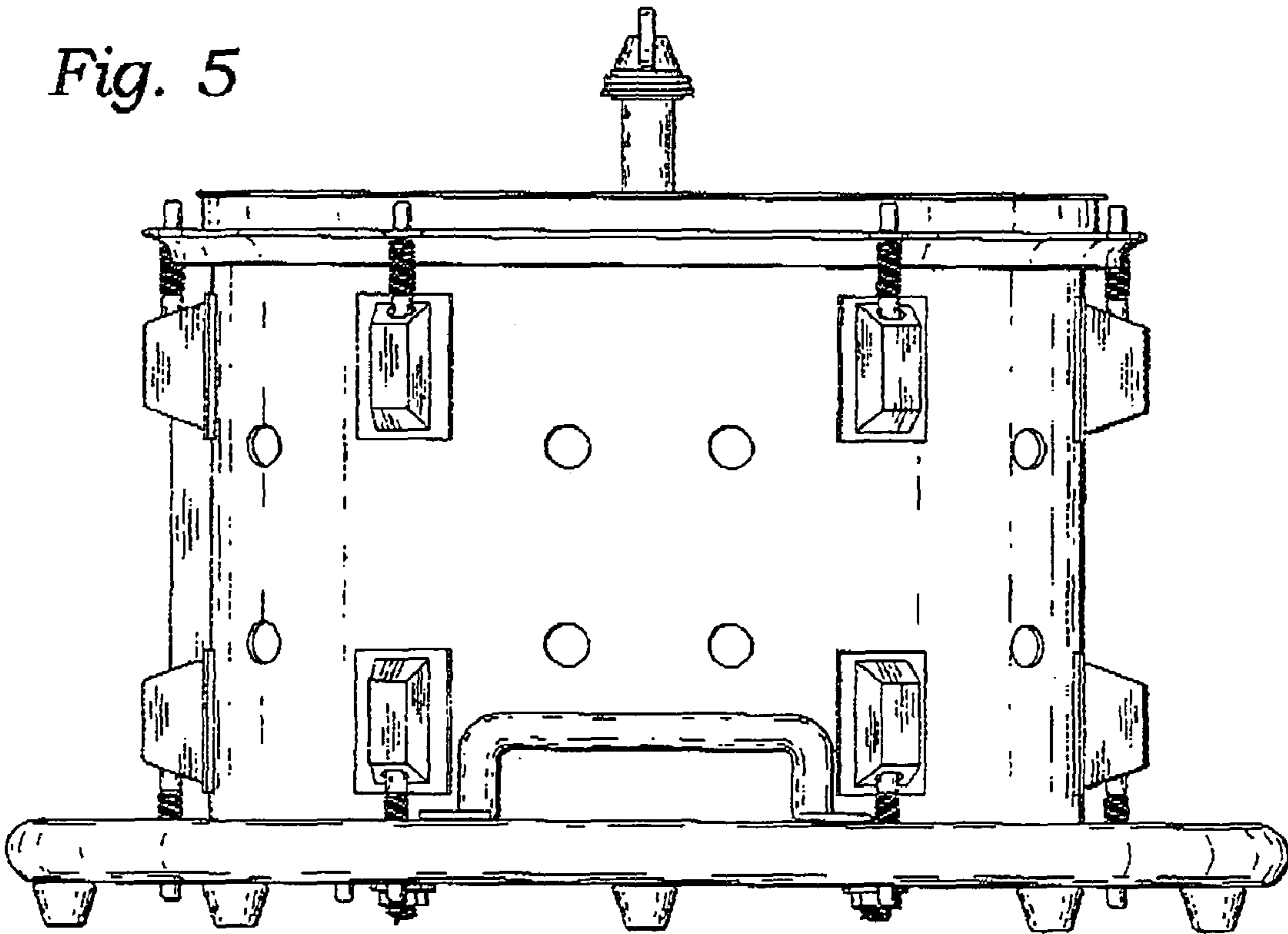


Fig. 6

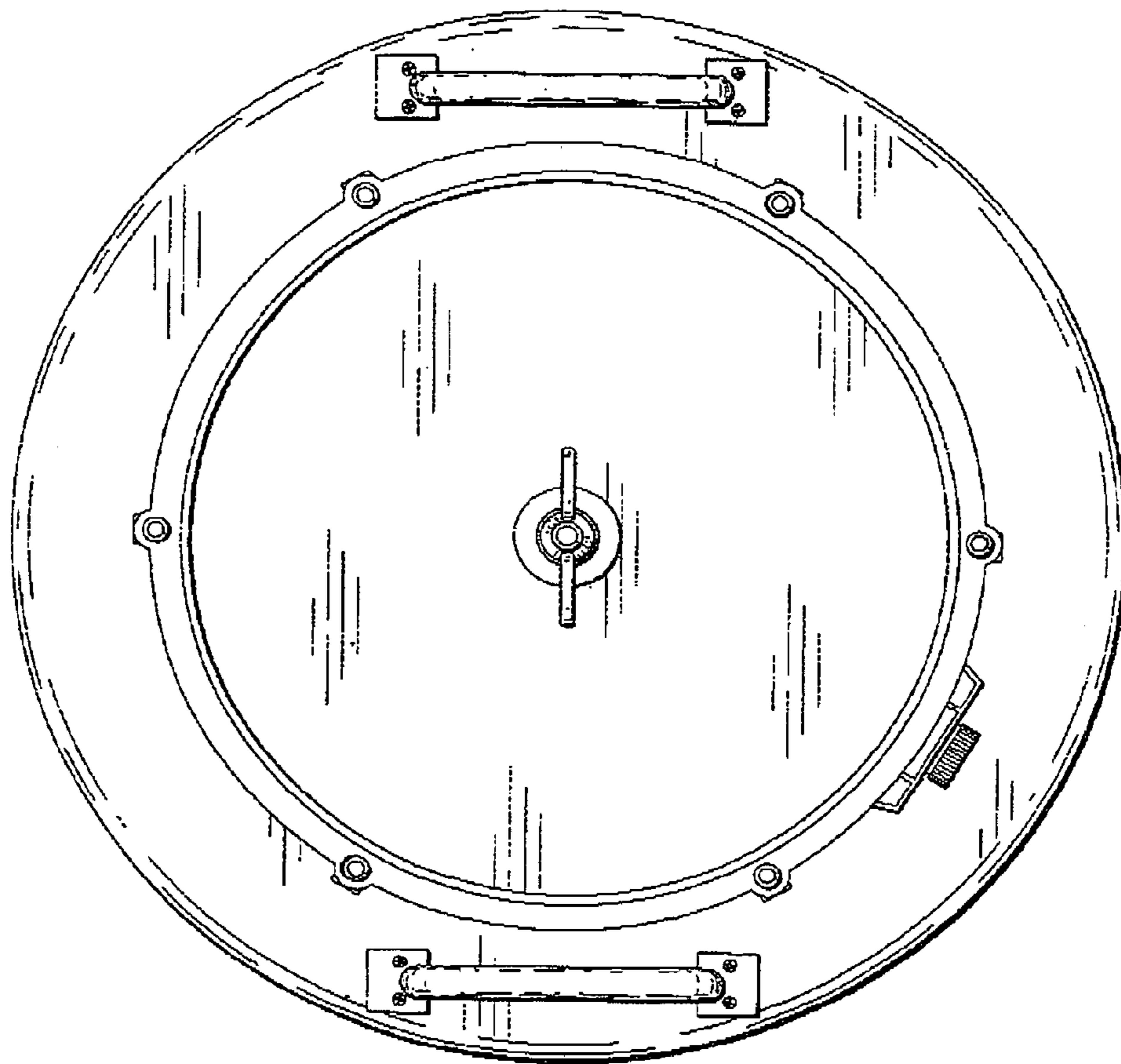


Fig. 7

