



US00D614210S

(12) **United States Design Patent**
Basler et al.

(10) **Patent No.:** **US D614,210 S**
(45) **Date of Patent:** **** Apr. 20, 2010**

(54) **MACHINE TOOL**

(75) Inventors: **Franz Basler**, Laudenbach (DE);
Thomas Hasenzahl, Darmstadt (DE);
Peter Fornoff, Reichelsheim (DE);
Gerd Helmreich, Erlangen (DE)

(73) Assignee: **Sirona Dental Systems GmbH**,
Bensheim (DE)

(**) Term: **14 Years**

(21) Appl. No.: **29/287,784**

(22) Filed: **Sep. 19, 2007**

(30) **Foreign Application Priority Data**

Mar. 19, 2007 (EM) 000691241-0001

(51) **LOC (9) Cl.** **15-09**

(52) **U.S. Cl.** **D15/122**

(58) **Field of Classification Search** D15/122,
D15/127, 130, 131, 132, 199; 29/27 C, 27 R,
29/33; 74/813 L, 826; 82/117, 120, 121,
82/134, 143; 408/35, 234

See application file for complete search history.

(56) **References Cited**

U.S. PATENT DOCUMENTS

D399,221 S * 10/1998 Schwartz D15/141

D420,686 S * 2/2000 Kunema D15/127
D421,994 S * 3/2000 Kobayashi et al. D15/133
D496,947 S * 10/2004 Baulk D15/130
D531,206 S * 10/2006 Hegge D18/53
D542,311 S * 5/2007 Inaba et al. D15/127
2006/0035775 A1 2/2006 Duncan et al.

* cited by examiner

Primary Examiner—Sandra Snapp

Assistant Examiner—Patricia Palasik

(74) *Attorney, Agent, or Firm*—Dykema Gossett PLLC

(57) **CLAIM**

The ornamental design for a machine tool, as shown and described.

DESCRIPTION

FIG. 1 is a perspective front view of a machine tool showing our new and ornamental design,

FIG. 2 is a front view thereof,

FIG. 3 is a rear view thereof,

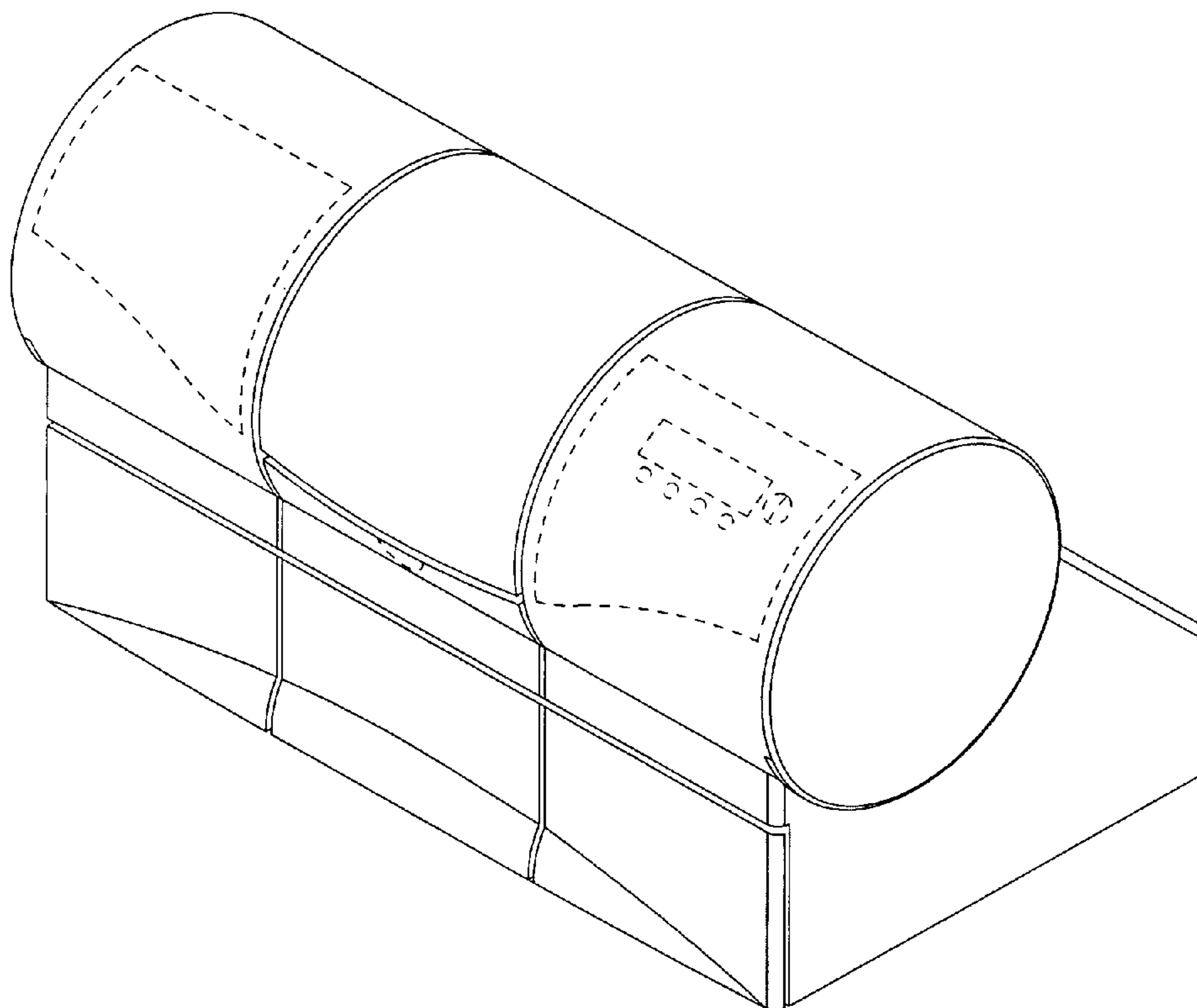
FIG. 4 is a top view thereof,

FIG. 5 is a bottom view thereof,

FIG. 6 is a left side view thereof; and,

FIG. 7 is a right side view thereof.

1 Claim, 7 Drawing Sheets



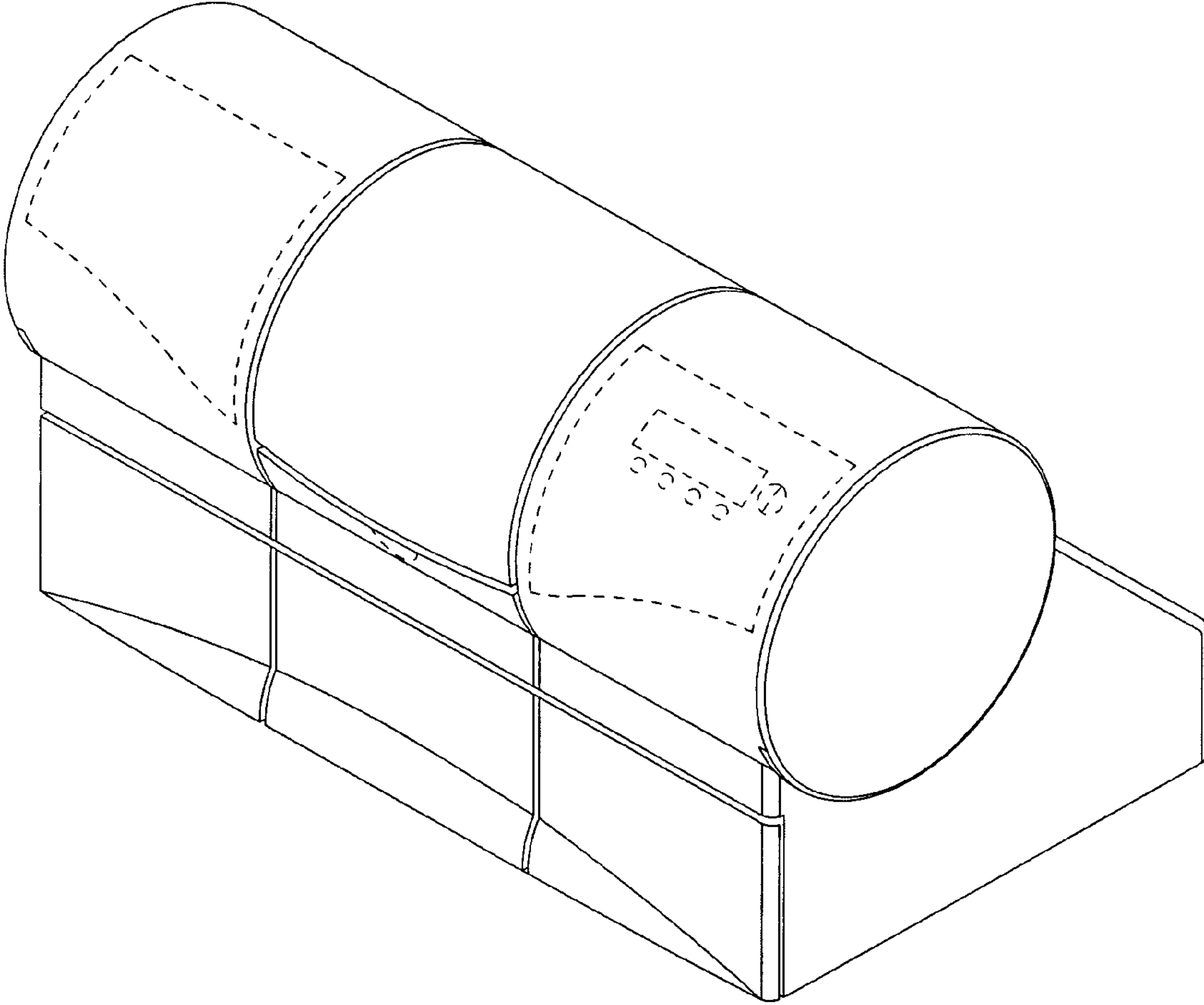


FIG. 1

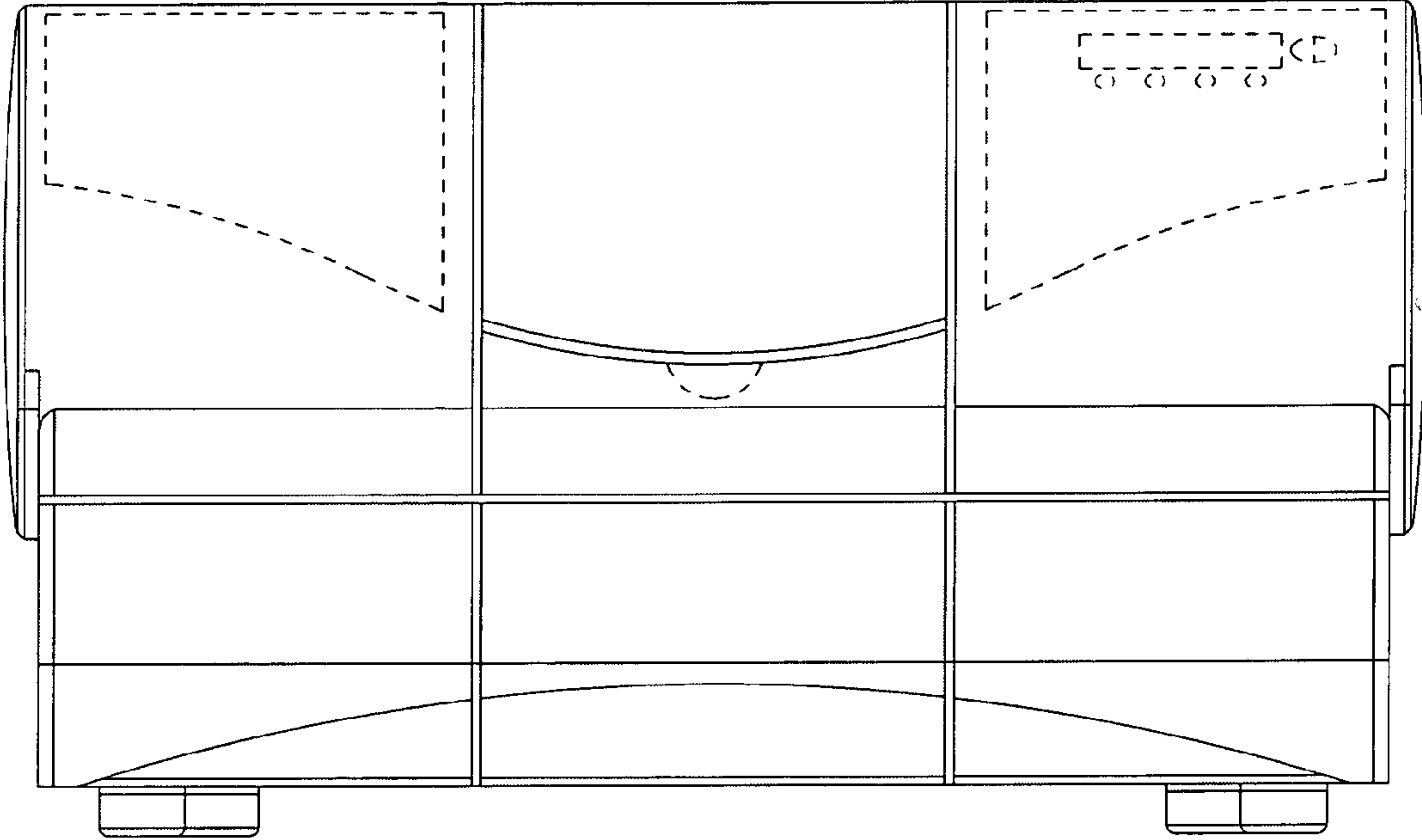


FIG. 2

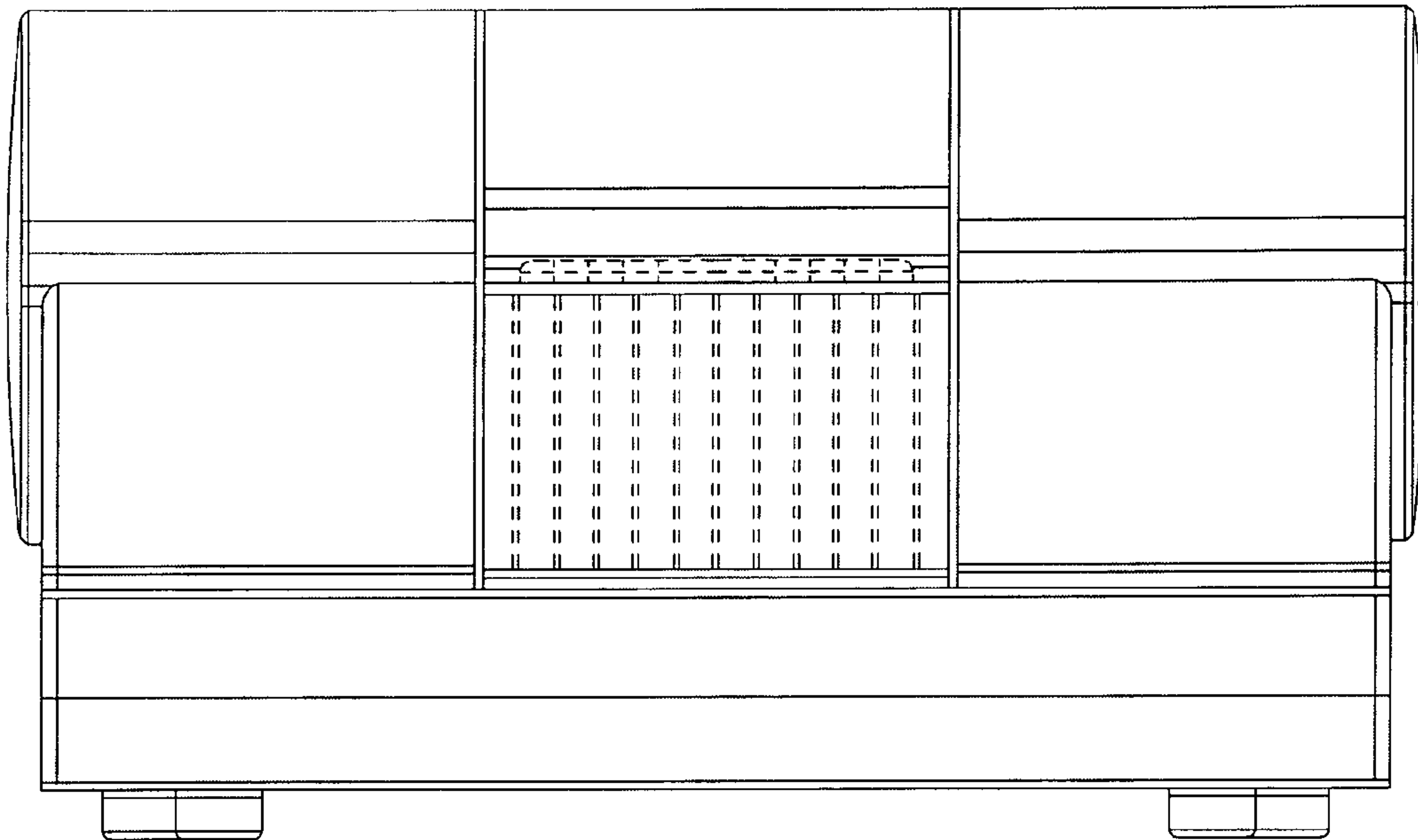


FIG. 3

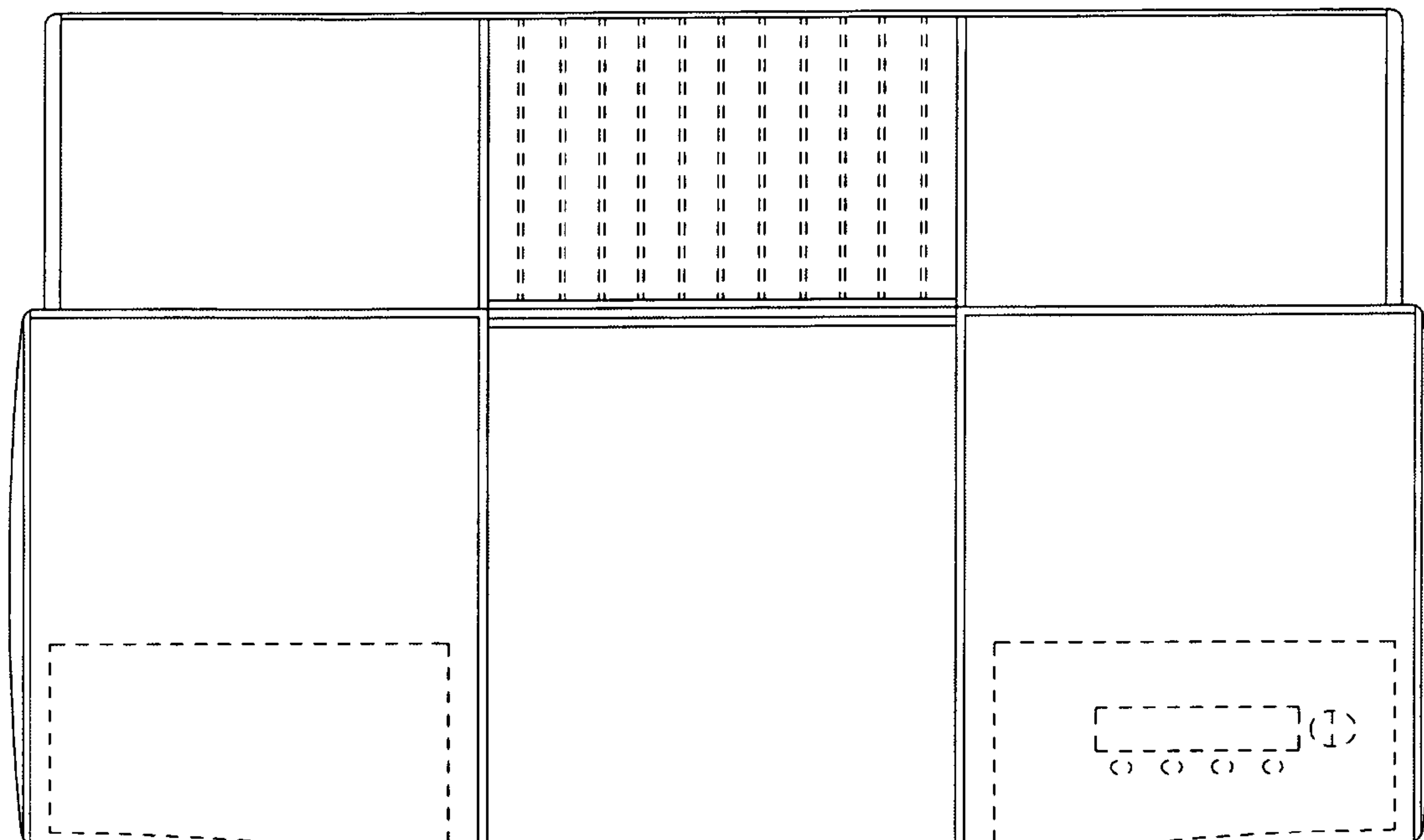


FIG. 4

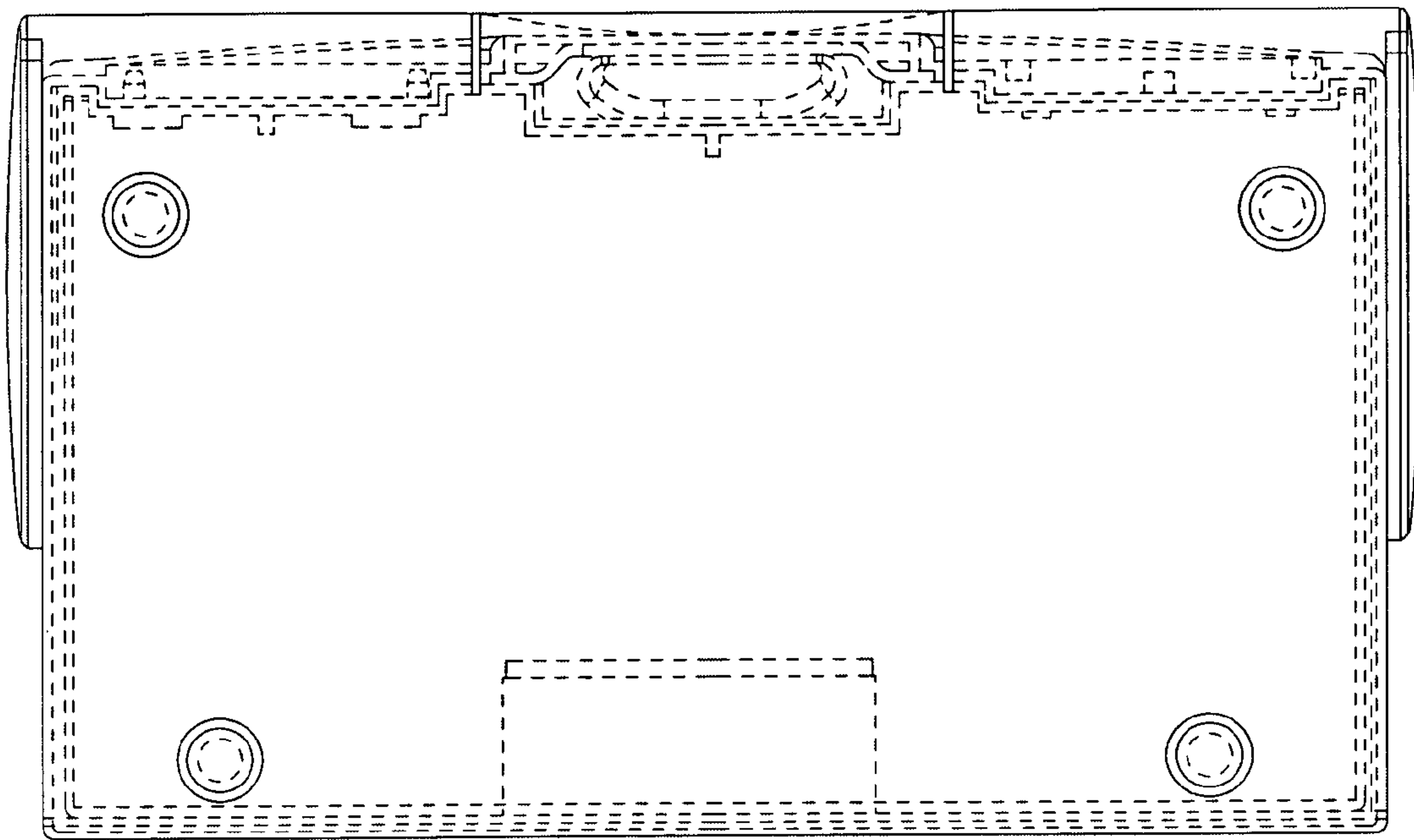


FIG. 5

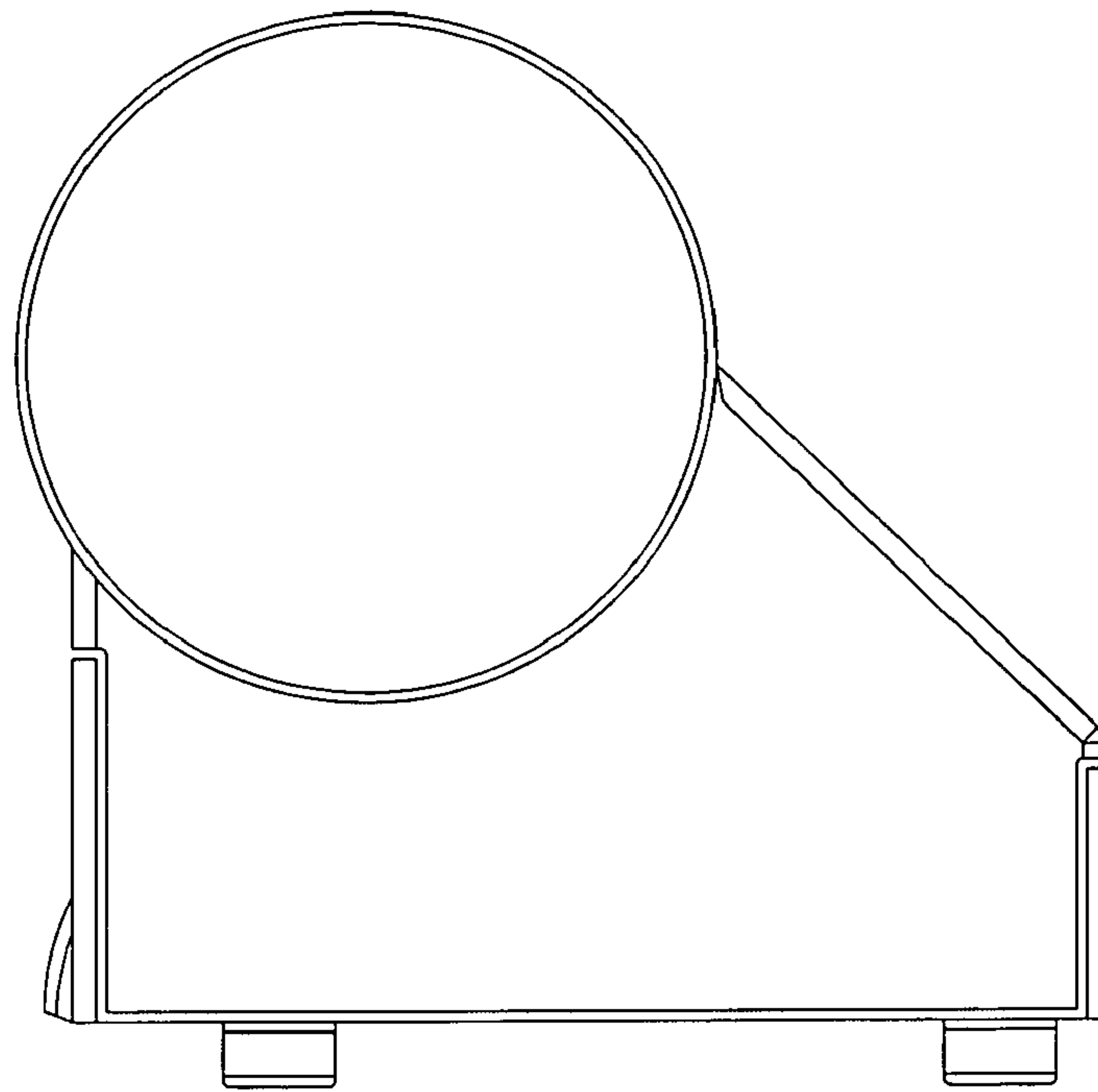


FIG. 6

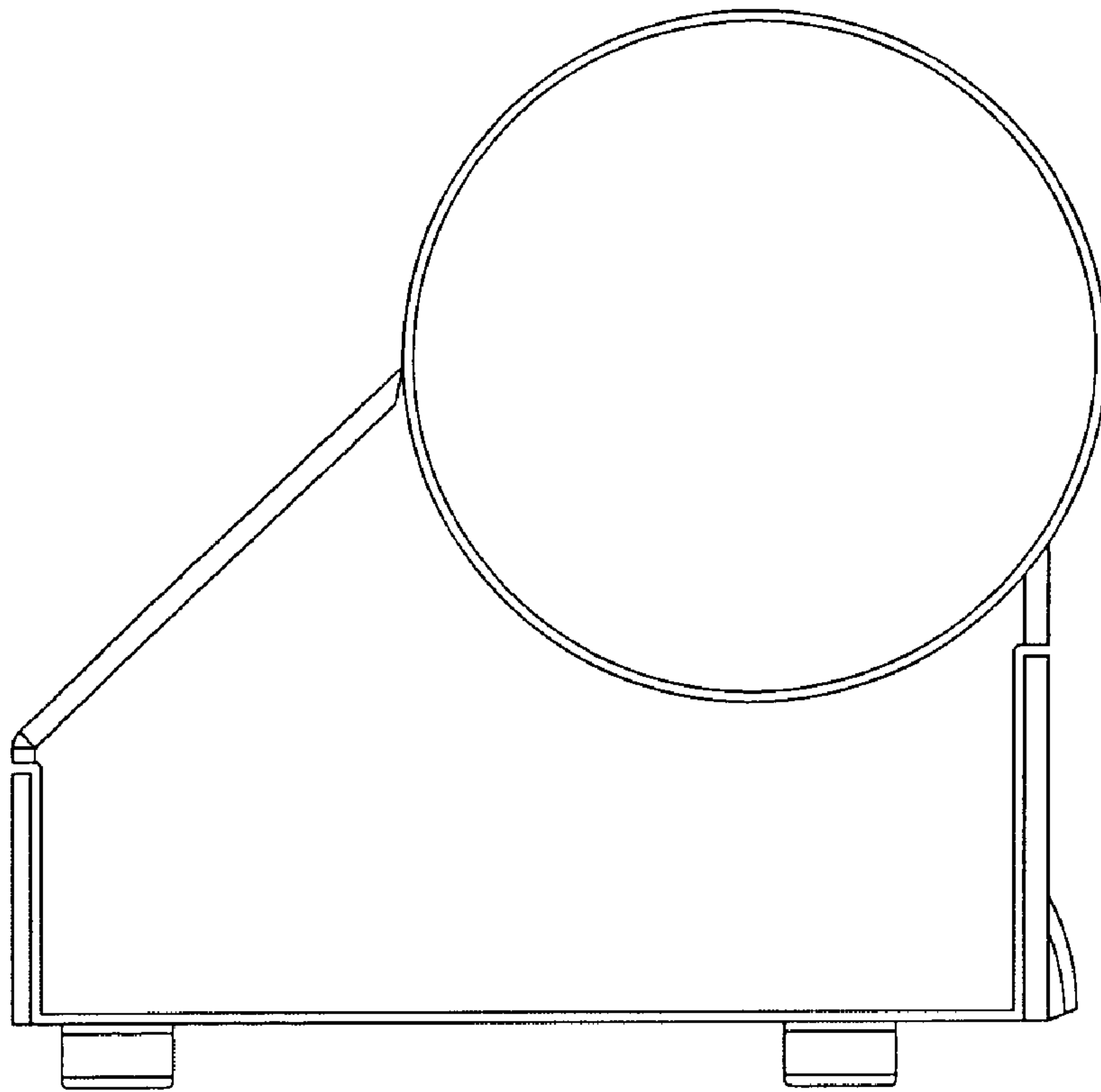


FIG. 7